



US00D656984S

(12) **United States Design Patent**
Jones et al.

(10) **Patent No.:** **US D656,984 S**
(45) **Date of Patent:** **** Apr. 3, 2012**

(54) **INK STICK FOR A PHASE CHANGE INK JET PRINTER**

(75) Inventors: **Brent Rodney Jones**, Sherwood, OR (US); **Jonathan R Ritter**, Cupertino, CA (US); **Brian Walter Aznoe**, Sherwood, OR (US); **Christopher R Gold**, Tigard, OR (US)

(73) Assignee: **Xerox Corporation**, Norwalk, CT (US)

(**) Term: **14 Years**

(21) Appl. No.: **29/375,711**

(22) Filed: **Sep. 27, 2010**

(51) **LOC (9) Cl.** **18-02**

(52) **U.S. Cl.** **D18/56**

(58) **Field of Classification Search** D18/56;
347/88, 99; 106/31.29, 31.61
See application file for complete search history.

(56) **References Cited**

U.S. PATENT DOCUMENTS

6,986,570	B2 *	1/2006	Jones et al.	347/88
D521,552	S *	5/2006	Jones et al.	D18/56
D530,366	S *	10/2006	Korn et al.	D18/56
D537,116	S *	2/2007	Jones et al.	D18/56

D570,407	S *	6/2008	Korn et al.	D18/56
D578,157	S *	10/2008	Aznoe et al.	D18/56
2004/0179074	A1 *	9/2004	Jones et al.	347/99
2006/0279616	A1 *	12/2006	Buehler et al.	347/88
2010/0007691	A1 *	1/2010	Buehler et al.	347/88

* cited by examiner

Primary Examiner — Cathy A MacCormac

(74) *Attorney, Agent, or Firm* — Tallam I. Nguti

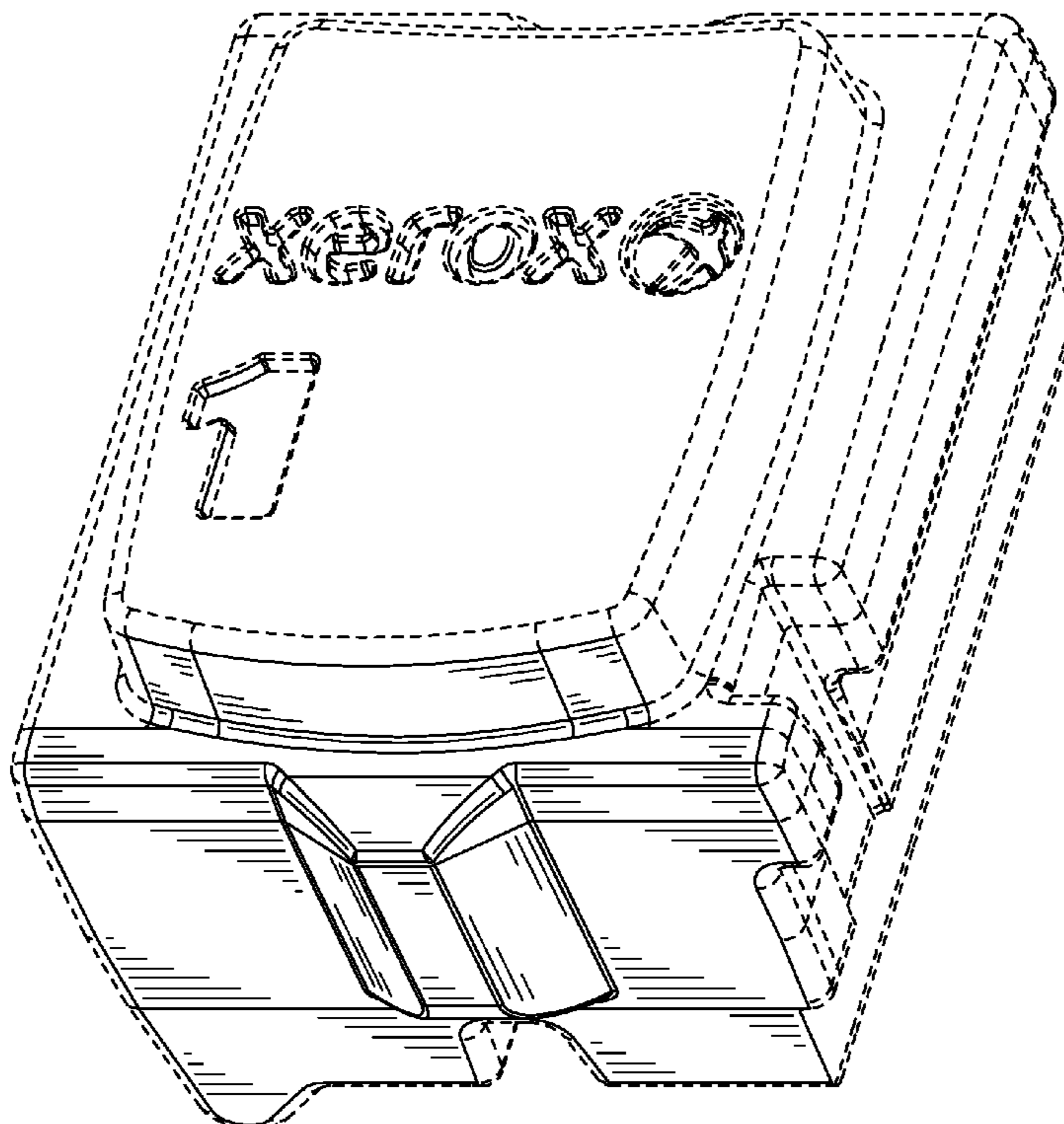
(57) **CLAIM**

The ornamental design for an ink stick for a phase change ink jet printer, as shown and described.

DESCRIPTION

FIG. 1 is a perspective view of an ink stick for a phase change ink jet printer in accordance with the present invention; FIG. 2 is a front view thereof; FIG. 3 is a right side view thereof; FIG. 4 is a rear view thereof; FIG. 5 is a left side view thereof; FIG. 6 is a top plan view thereof; and, FIG. 7 is a bottom plan view thereof. The features shown in broken lines in the drawing figures depict environmental subject matter only and form no part of the claimed design.

1 Claim, 7 Drawing Sheets



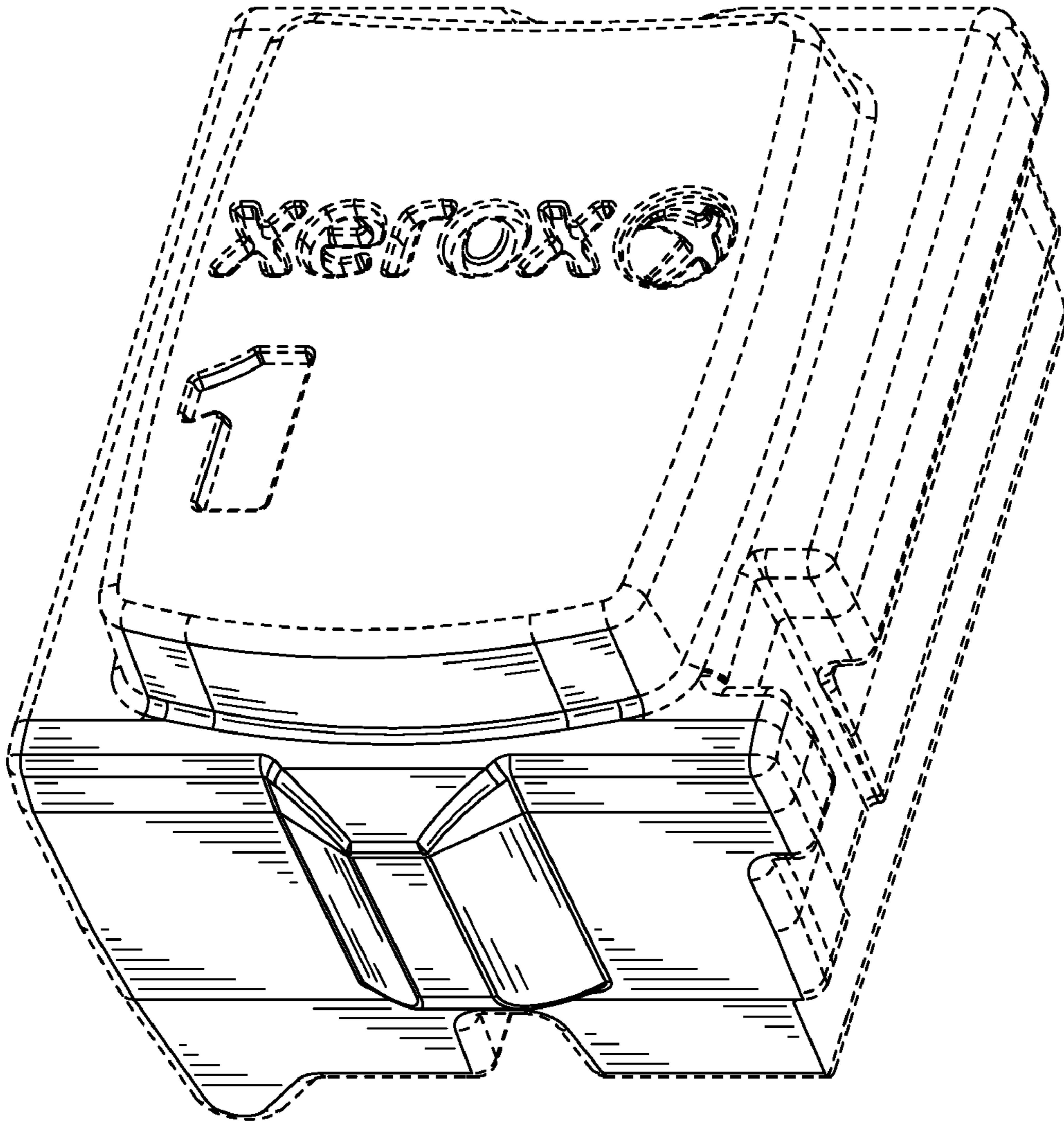


FIG. 1

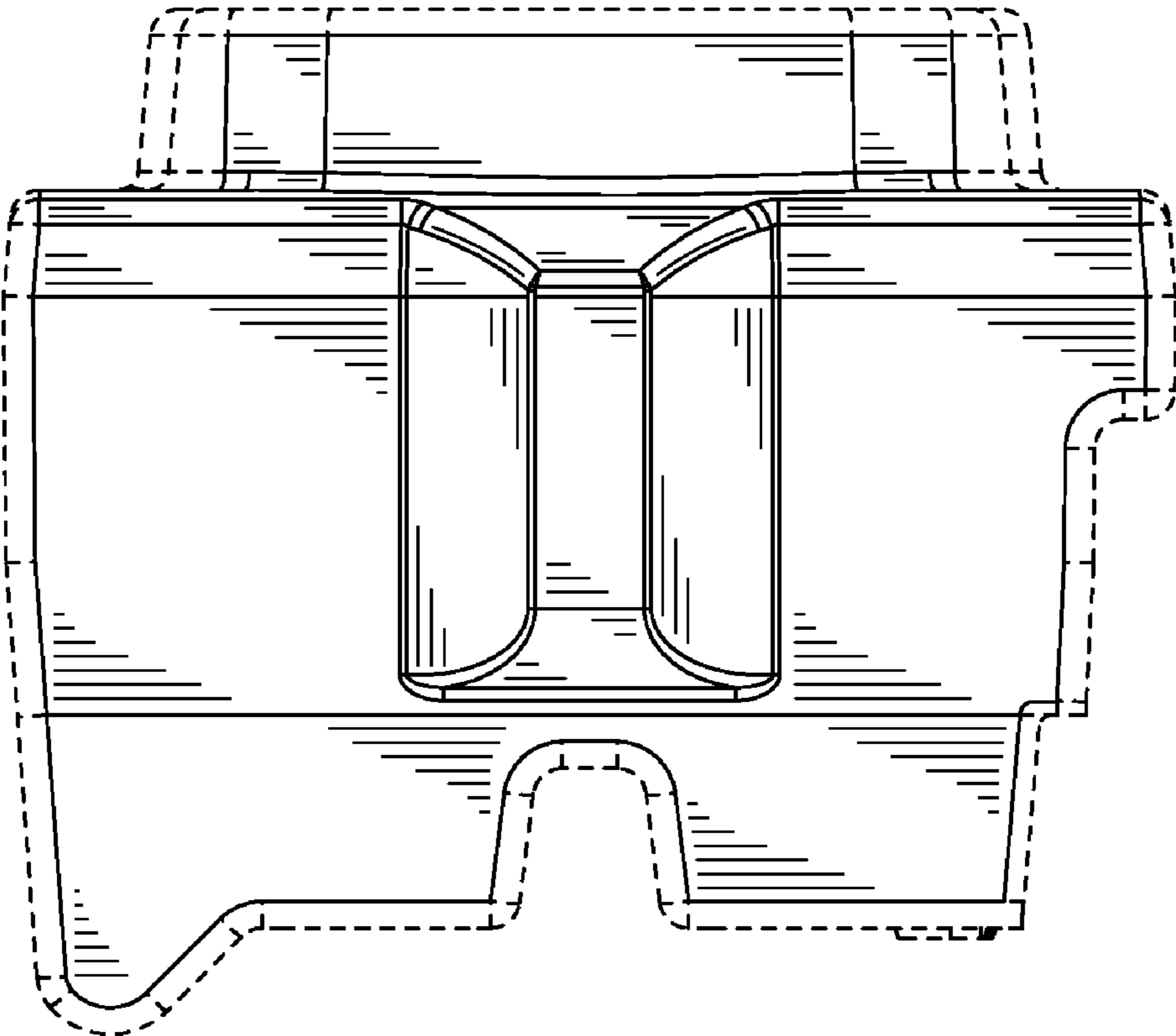


FIG. 2

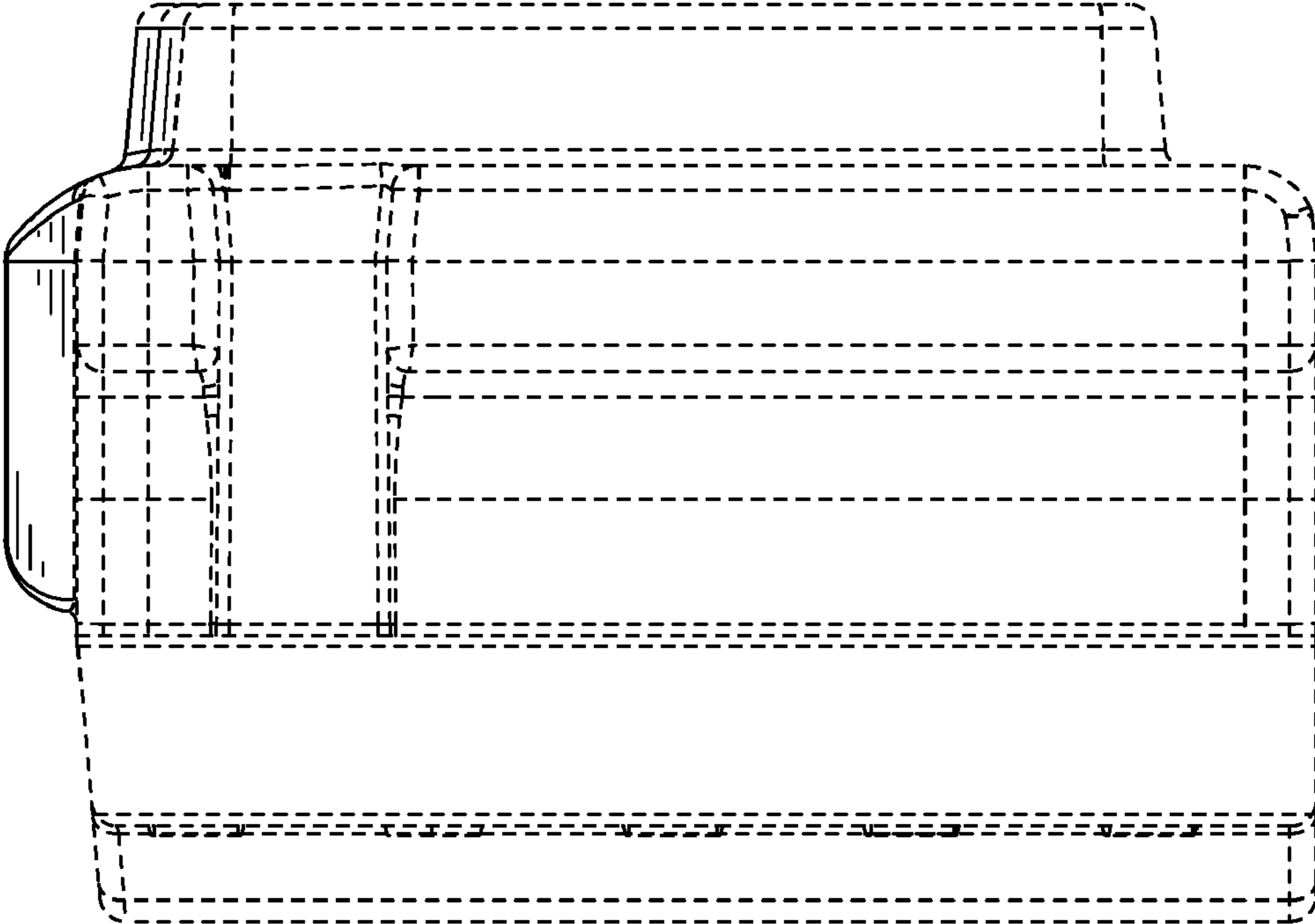


FIG. 3

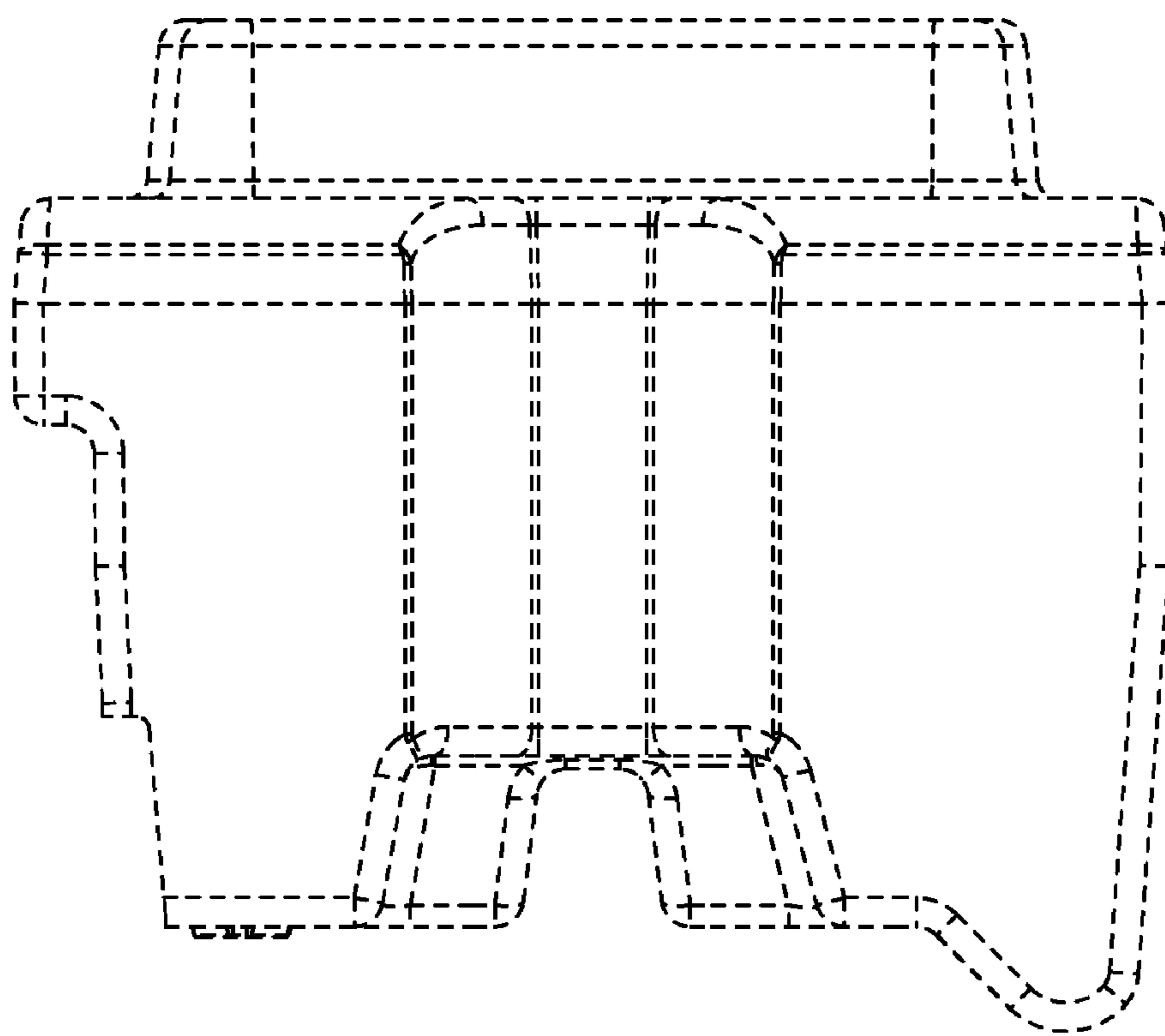


FIG. 4

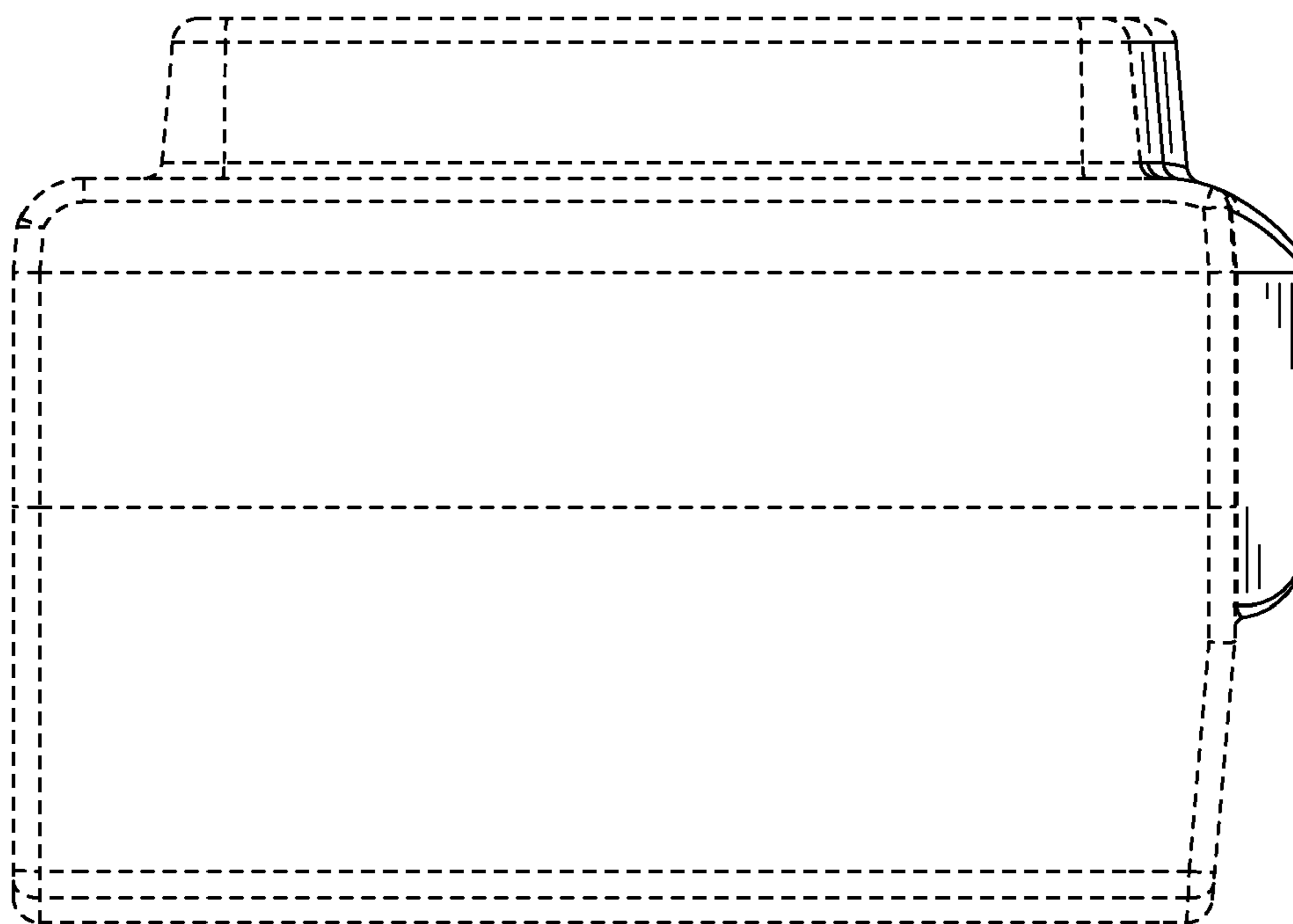


FIG. 5

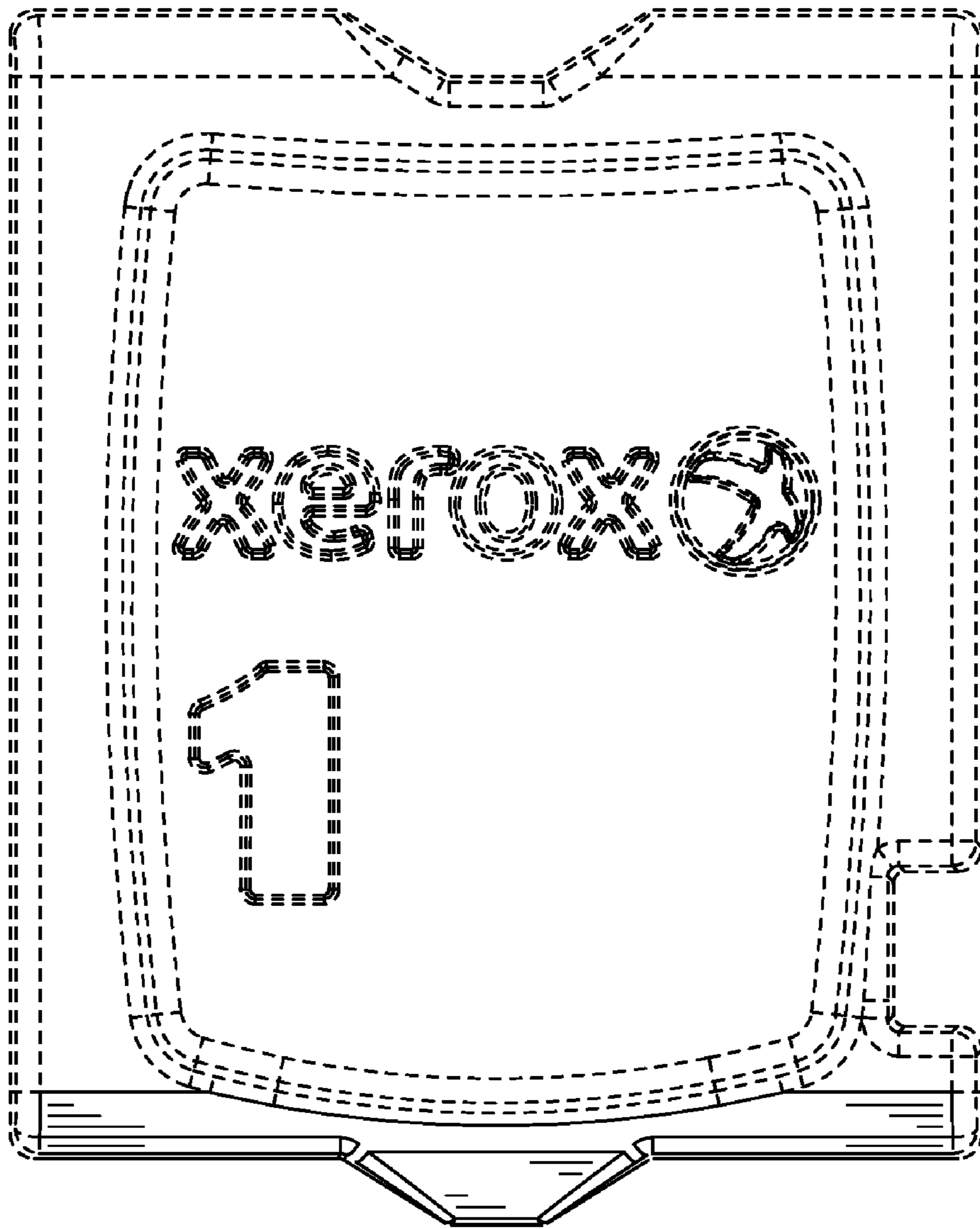


FIG. 6

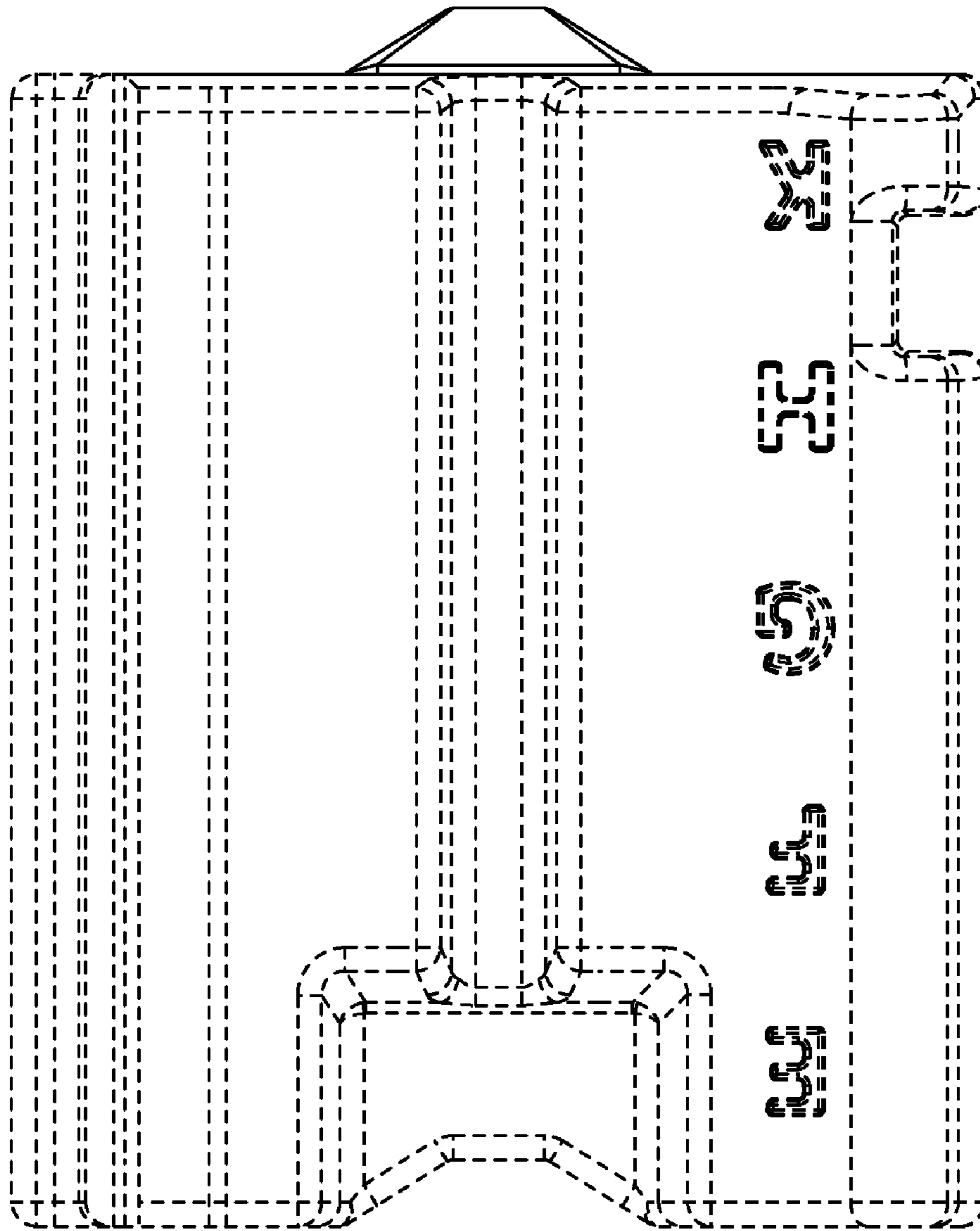


FIG. 7