



US00D656982S

(12) **United States Design Patent**  
**Cohen**

(10) **Patent No.:** **US D656,982 S**

(45) **Date of Patent:** **\*\* Apr. 3, 2012**

(54) **TAMBOURINE**

(76) Inventor: **Wayne Cohen**, Bangkok (TH)

(\*\*) Term: **14 Years**

(21) Appl. No.: **29/389,946**

(22) Filed: **Apr. 18, 2011**

**Related U.S. Application Data**

(63) Continuation-in-part of application No. 29/335,526, filed on Apr. 16, 2009, now abandoned.

(51) **LOC (9) Cl.** ..... **17-04**

(52) **U.S. Cl.** ..... **D17/22**

(58) **Field of Classification Search** ..... D17/22,  
D17/99; 84/111, 418, 402, 406; 984/151;  
D21/405; 446/418, 421  
See application file for complete search history.

(56) **References Cited**

**U.S. PATENT DOCUMENTS**

D259,047 S *	4/1981	Taninbaum	.....	D17/22
D333,314 S *	2/1993	Cohen et al.	.....	D17/22
D336,488 S *	6/1993	Grey	.....	D17/22

D350,558 S *	9/1994	Huang	.....	D17/22
D446,238 S *	8/2001	Grey	.....	D17/22
D470,169 S *	2/2003	Enhoffer et al.	.....	D17/22
7,045,697 B2 *	5/2006	Covello et al.	.....	84/418
D543,579 S *	5/2007	Taninbaum et al.	.....	D17/22
7,348,478 B1 *	3/2008	Lombardi	.....	84/402
2006/0075877 A1 *	4/2006	Covello et al.	.....	84/418
2007/0234874 A1 *	10/2007	Taninbaum	.....	84/418

\* cited by examiner

*Primary Examiner* — Rashida Johnson

(74) *Attorney, Agent, or Firm* — LaMorte & Associates, P.C.

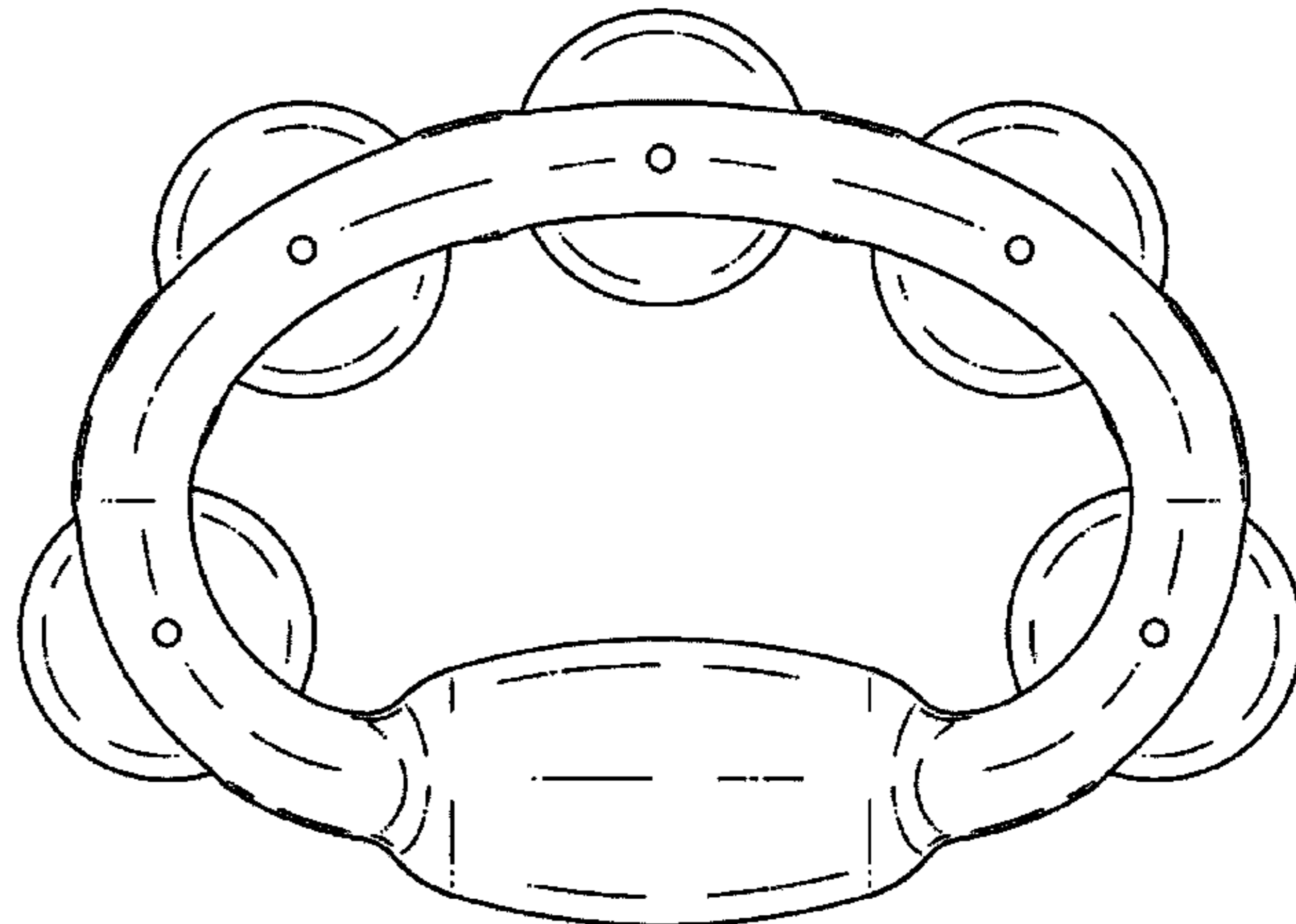
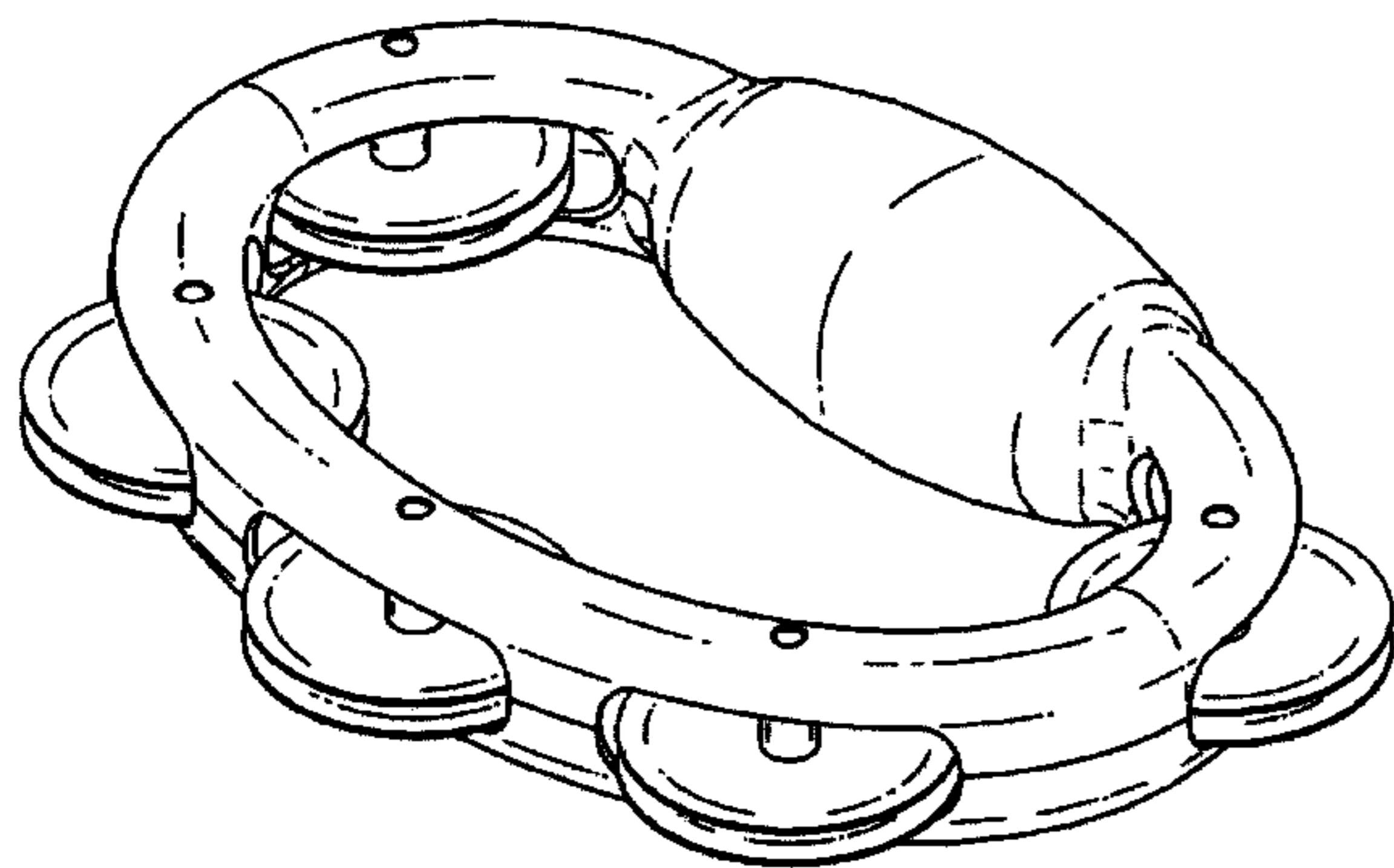
(57) **CLAIM**

The ornamental design for a tambourine, as shown and described.

**DESCRIPTION**

FIG. 1 is a perspective view of a tambourine;  
FIG. 2 is a front view thereof,  
FIG. 3 is a rear view thereof;  
FIG. 4 is a right side view thereof;  
FIG. 5 is a left side view thereof;  
FIG. 6 is a top view thereof; and,  
FIG. 7 is a bottom view thereof.

**1 Claim, 5 Drawing Sheets**



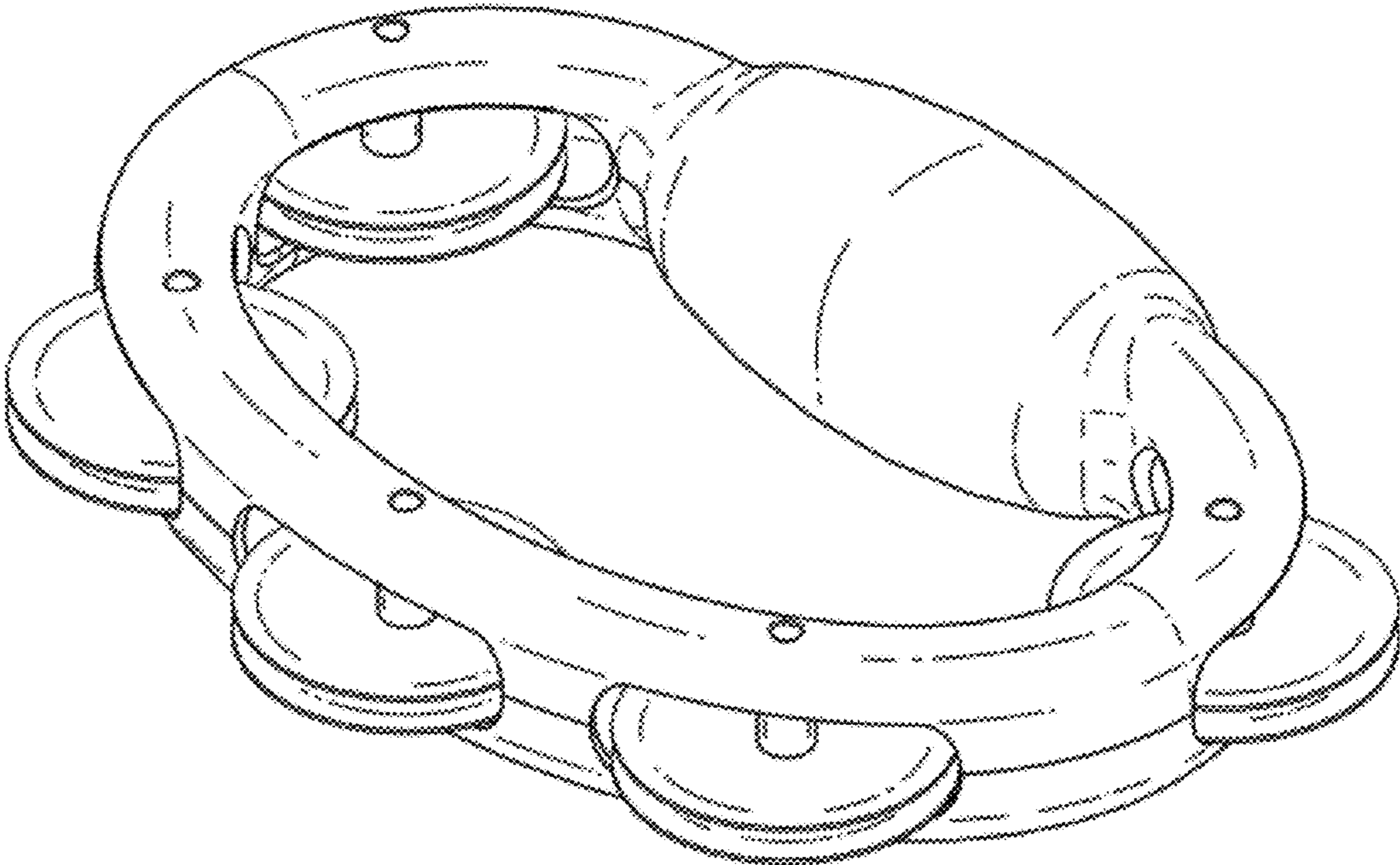


FIG. 1

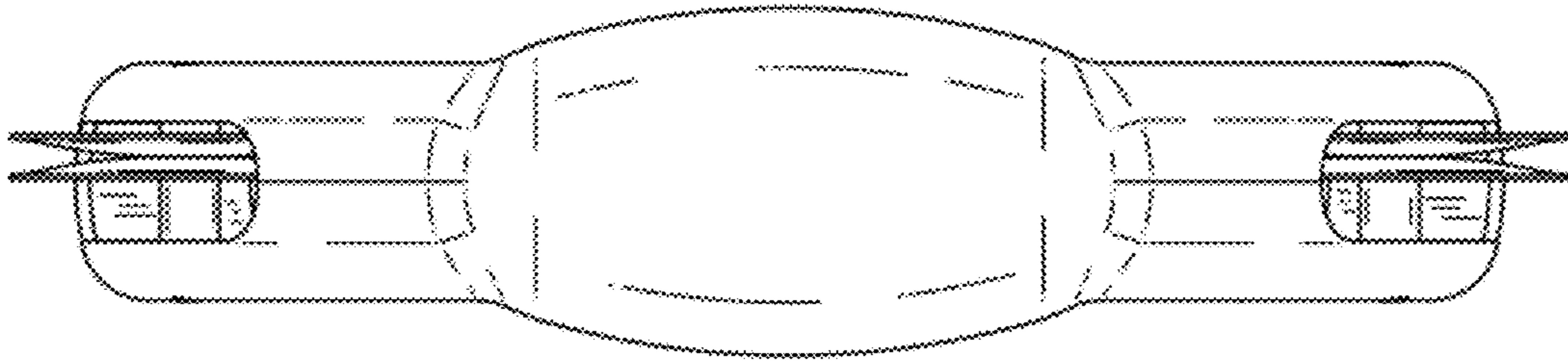


FIG. 2

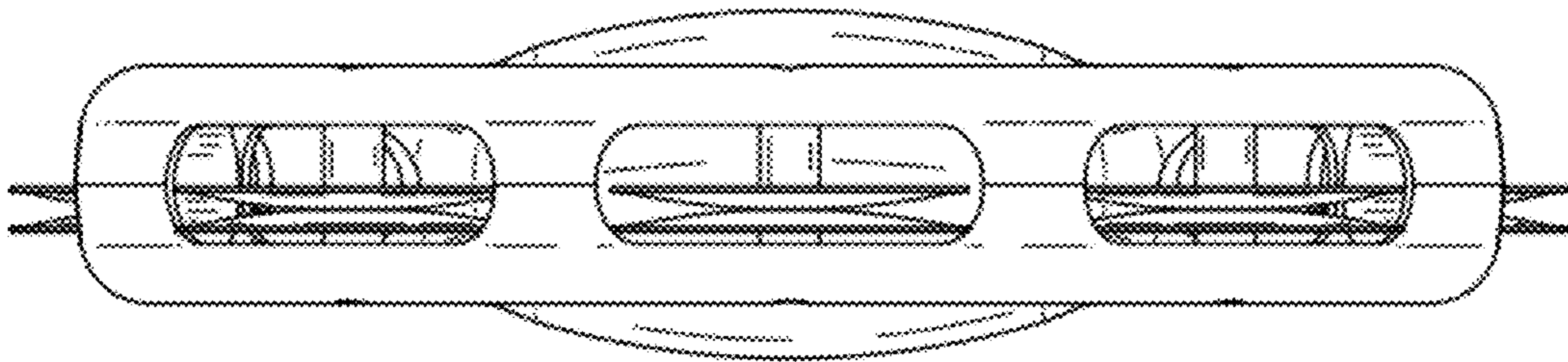


FIG. 3

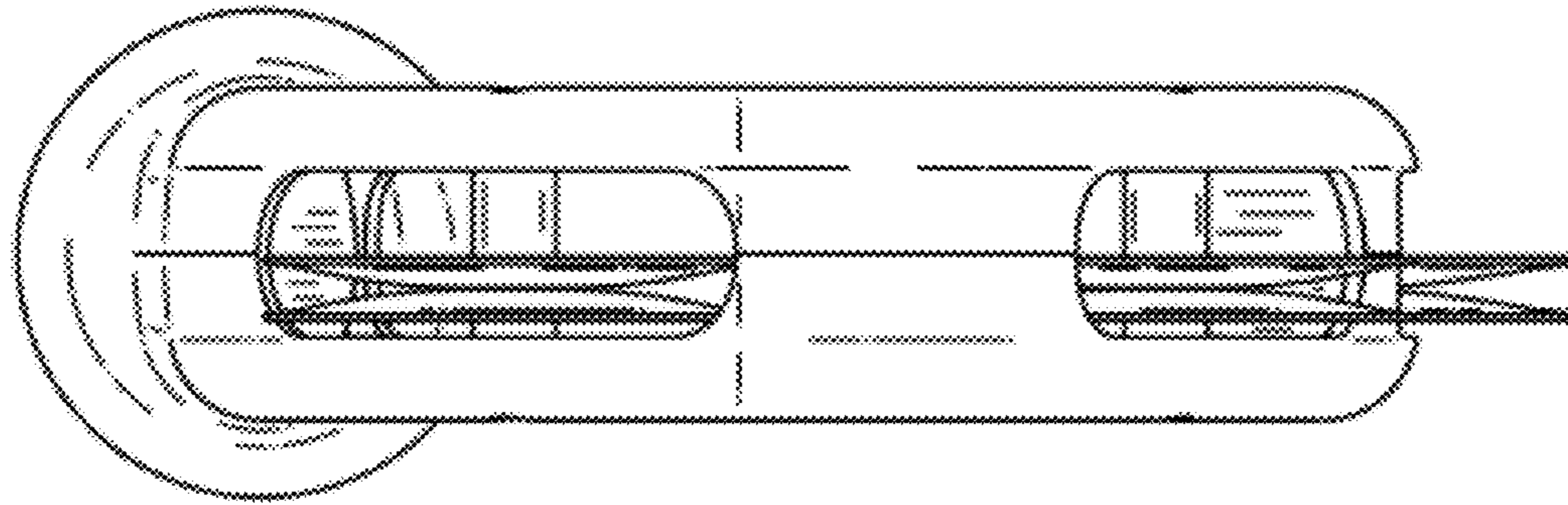


FIG. 4

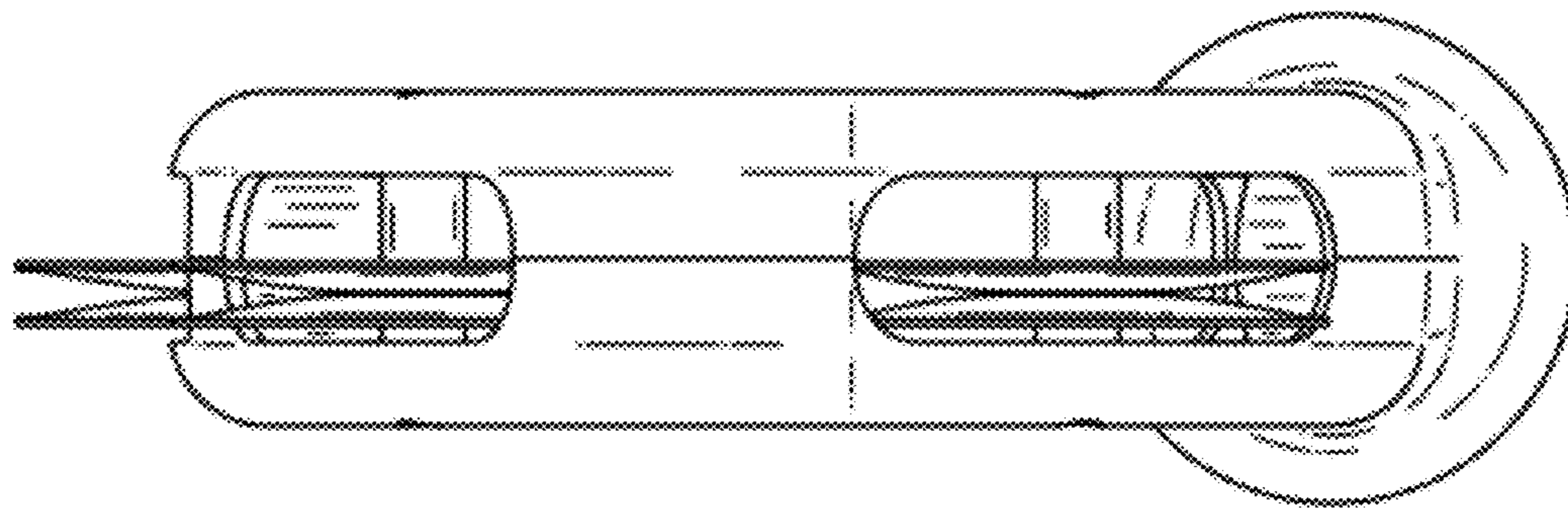


FIG. 5



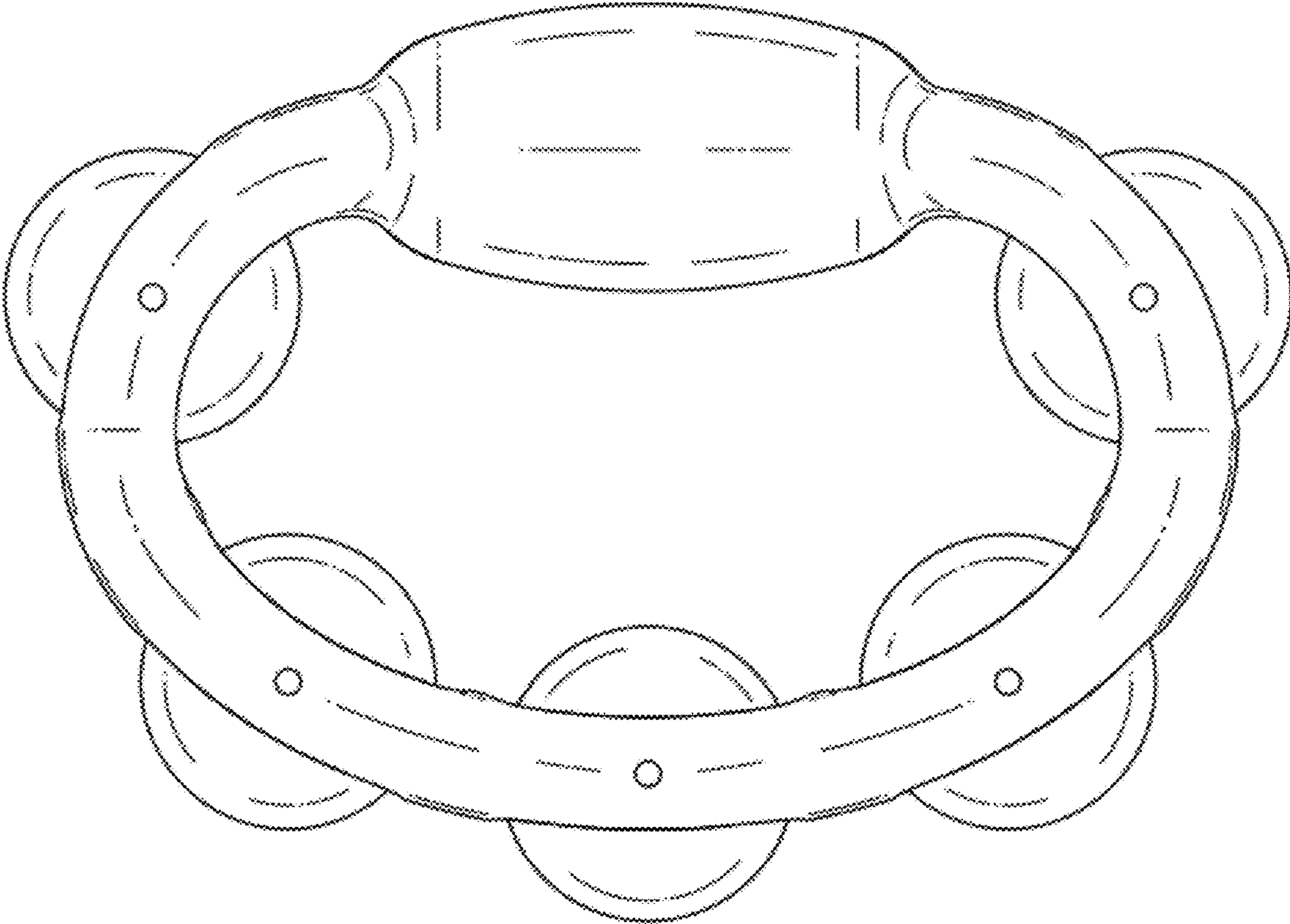


FIG. 6

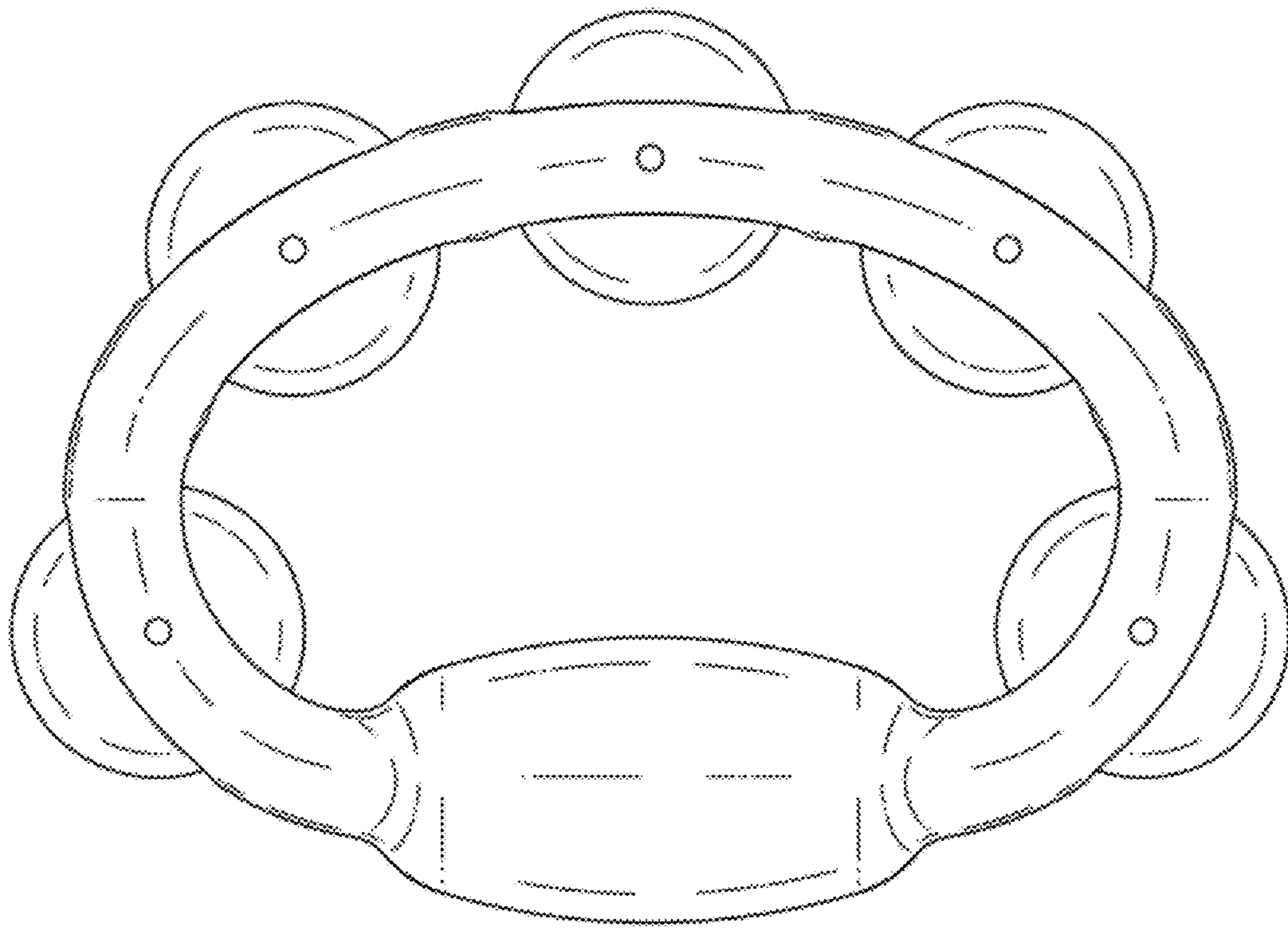


FIG. 7