



US00D656981S

(12) **United States Design Patent**
Nolan et al.

(10) **Patent No.:** **US D656,981 S**
(45) **Date of Patent:** **** Apr. 3, 2012**

(54) **GOGGLE EXHAUST MODULE**

(75) Inventors: **William H. Nolan**, Golden, CO (US);
Stephen B. Katsaros, Denver, CO (US)

(73) Assignee: **HaberVision LLC**, Golden, CO (US)

(**) Term: **14 Years**

(21) Appl. No.: **29/326,227**

(22) Filed: **Oct. 14, 2008**

(51) **LOC (9) Cl.** **16-06**

(52) **U.S. Cl.** **D16/330**

(58) **Field of Classification Search** D24/110,
D24/110.2, 110.3, 110.5, 110.4; D16/312,
D16/101, 309, 311, 313, 334, 336, 342, 340,
D16/330; D29/109-110, 105-106; 454/370,
454/367; 2/426, 436, 437-439, 410, 425,
2/13, 171.3, DIG. 1, 435; 351/62

See application file for complete search history.

(56) **References Cited**

U.S. PATENT DOCUMENTS

2,388,574	A *	11/1945	Ring	2/441
2,877,463	A *	3/1959	Watkins	2/437
4,043,637	A *	8/1977	Hovey	359/241
4,149,276	A *	4/1979	Castro	2/437
4,977,627	A *	12/1990	Metcalf et al.	2/437
D322,795	S *	12/1991	Dianitsch	D16/312
D328,084	S *	7/1992	Salce et al.	D16/312
5,966,746	A *	10/1999	Reedy et al.	2/436

D541,328	S *	4/2007	Saderholm et al.	D16/312
D543,571	S *	5/2007	Love	D16/312
D549,265	S *	8/2007	Saderholm et al.	D16/312
D565,638	S *	4/2008	Estrem	D16/340
D595,332	S *	6/2009	Yang	D16/312
D608,816	S *	1/2010	Wang-Lee	D16/312
7,743,432	B2 *	6/2010	Curci	2/435
2009/0055987	A1 *	3/2009	Becker et al.	2/171.3
2009/0151057	A1 *	6/2009	Lebel et al.	2/452
2010/0024099	A1 *	2/2010	Nolan et al.	2/436
2010/0095439	A1 *	4/2010	Nolan et al.	2/421
2011/0296596	A1 *	12/2011	Chen	2/436

* cited by examiner

Primary Examiner — Wan Laymon

(74) *Attorney, Agent, or Firm* — Kilpatrick Townsend & Stockton LLP

(57) **CLAIM**

The ornamental design for a goggle exhaust module, as shown and described.

DESCRIPTION

FIG. 1 is a perspective view of a goggle exhaust module showing our new design;

FIG. 2 is a right side elevational view thereof;

FIG. 3 is a reduced front elevational view thereof;

FIG. 4 is a reduced back elevational view thereof;

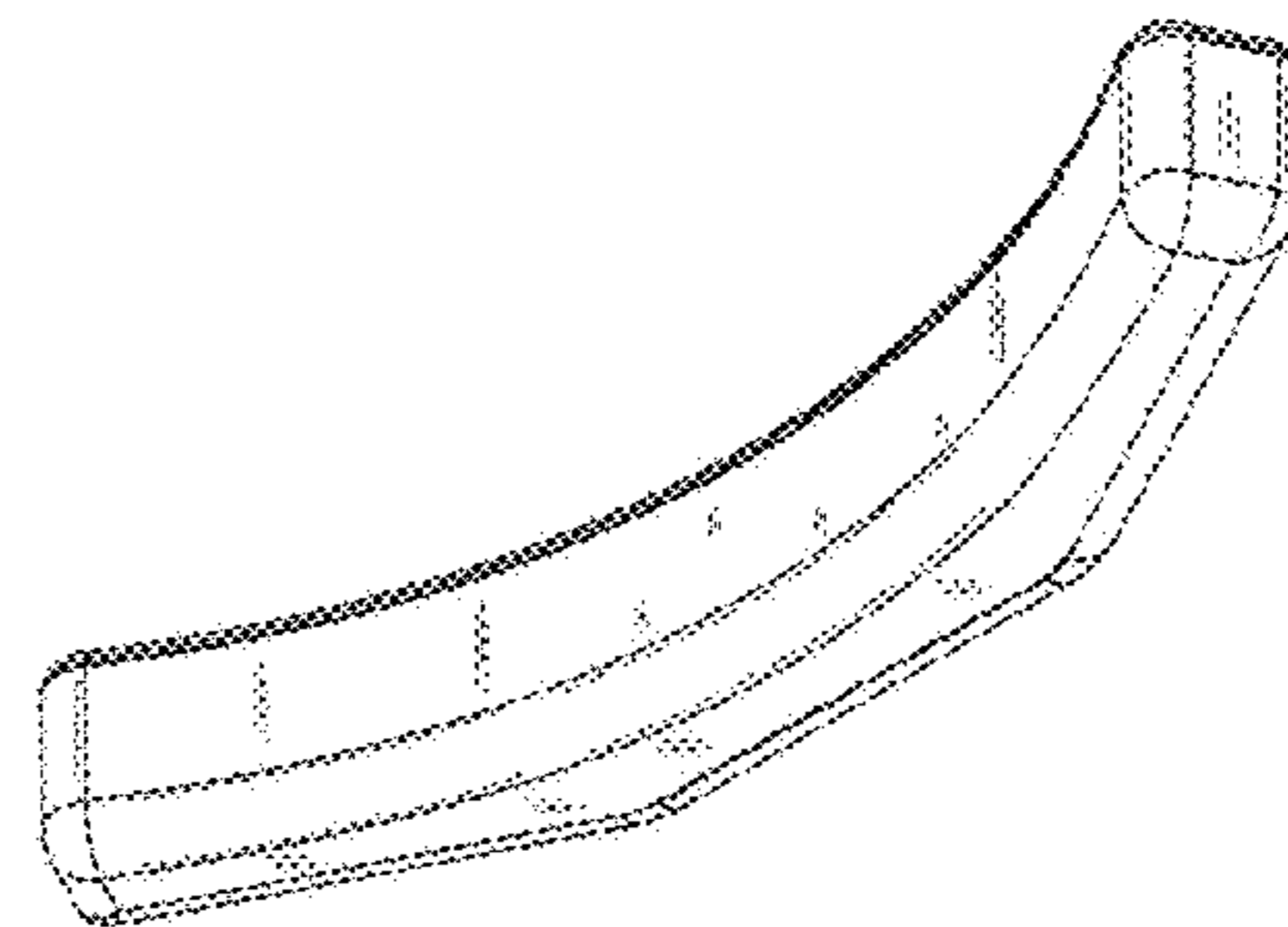
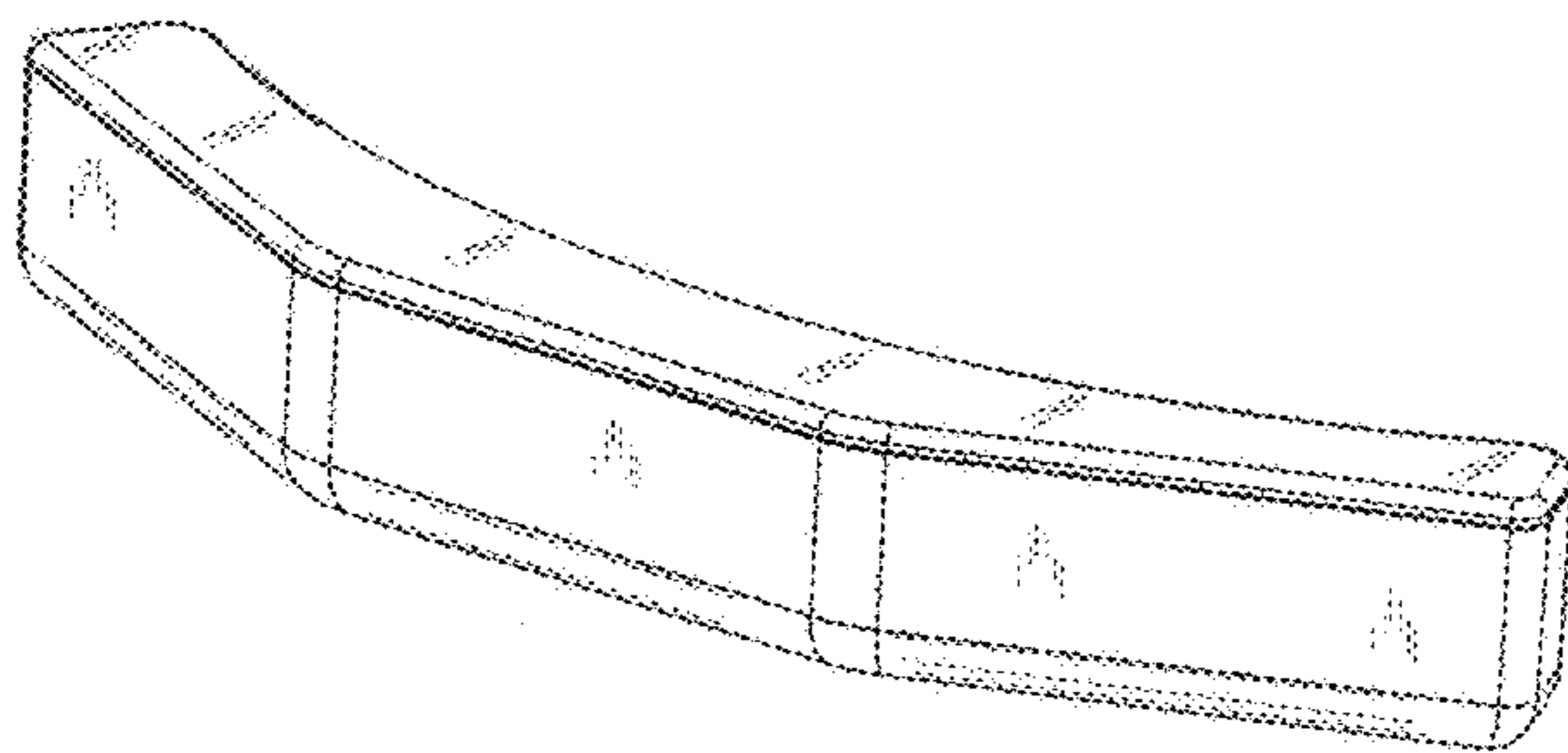
FIG. 5 is a reduced bottom plan view thereof;

FIG. 6 is a reduced top plan view thereof;

FIG. 7 is another perspective view thereof; and,

FIG. 8 is yet another perspective view thereof.

1 Claim, 3 Drawing Sheets



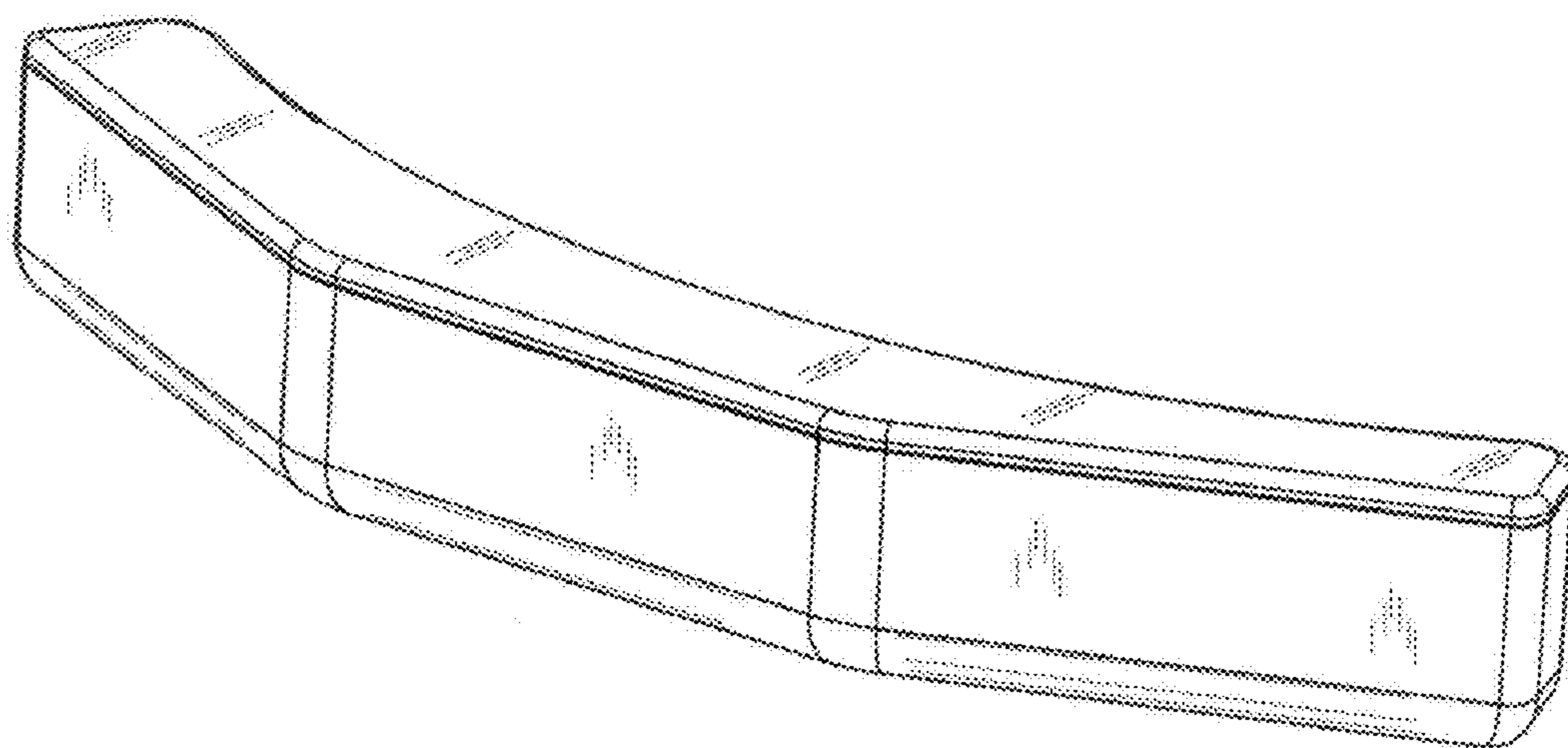


Fig. 1

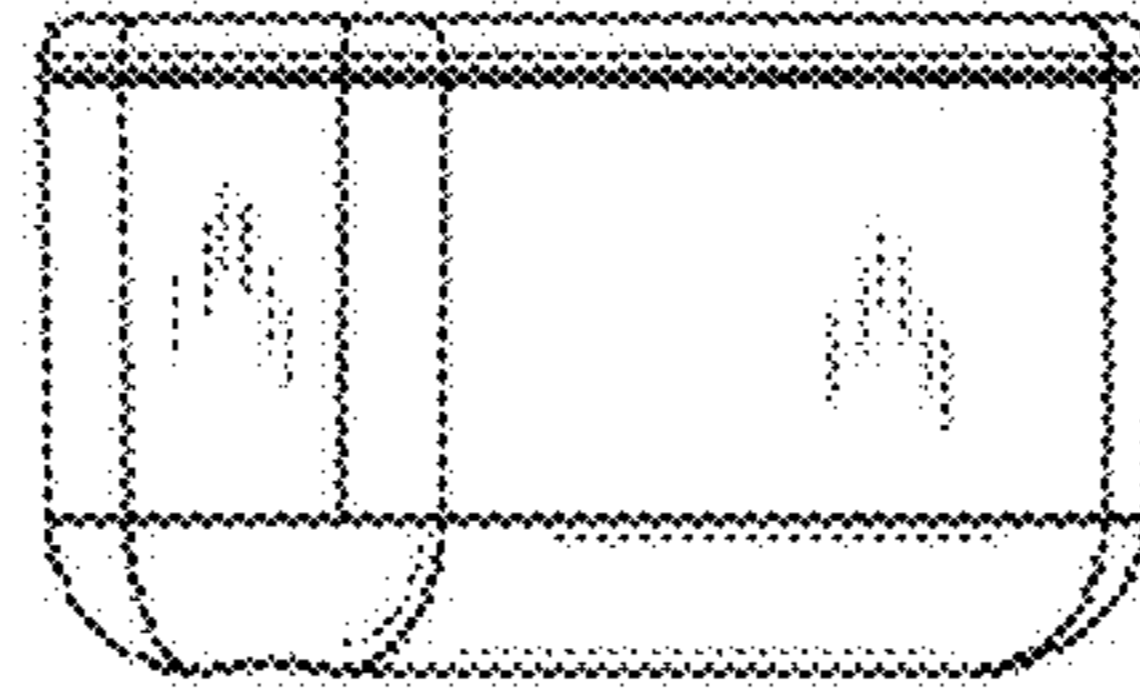


Fig. 2



Fig. 3

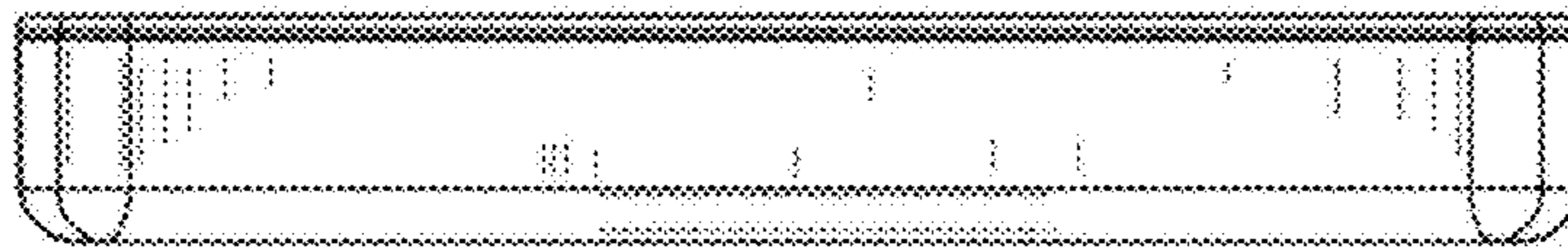


Fig. 4

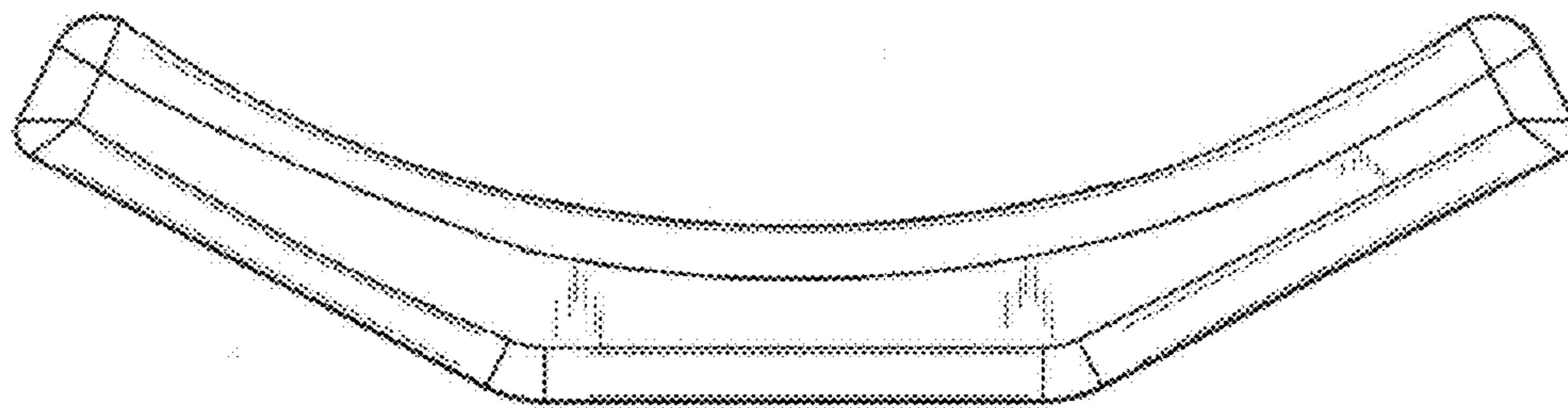


Fig. 5

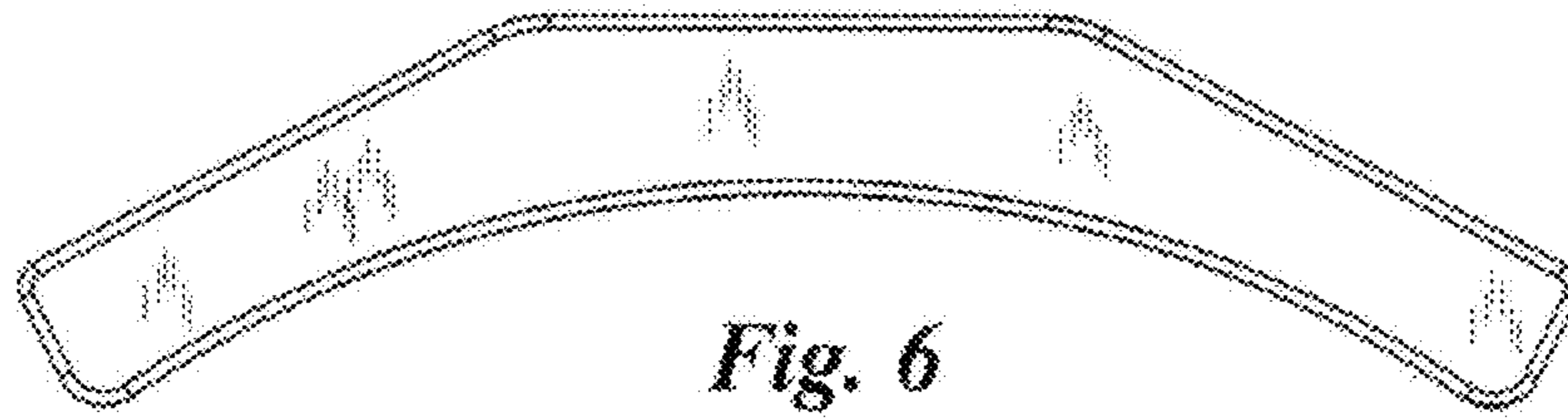


Fig. 6

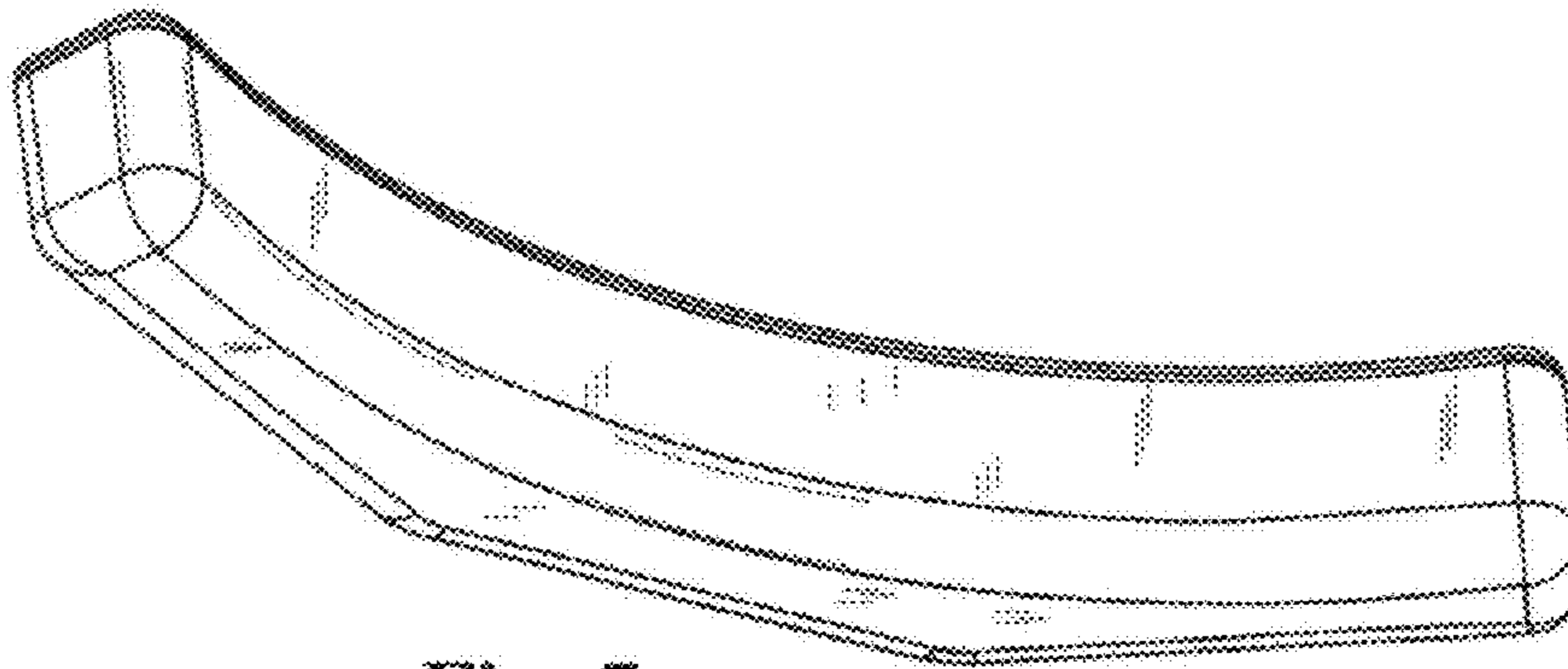


Fig. 7

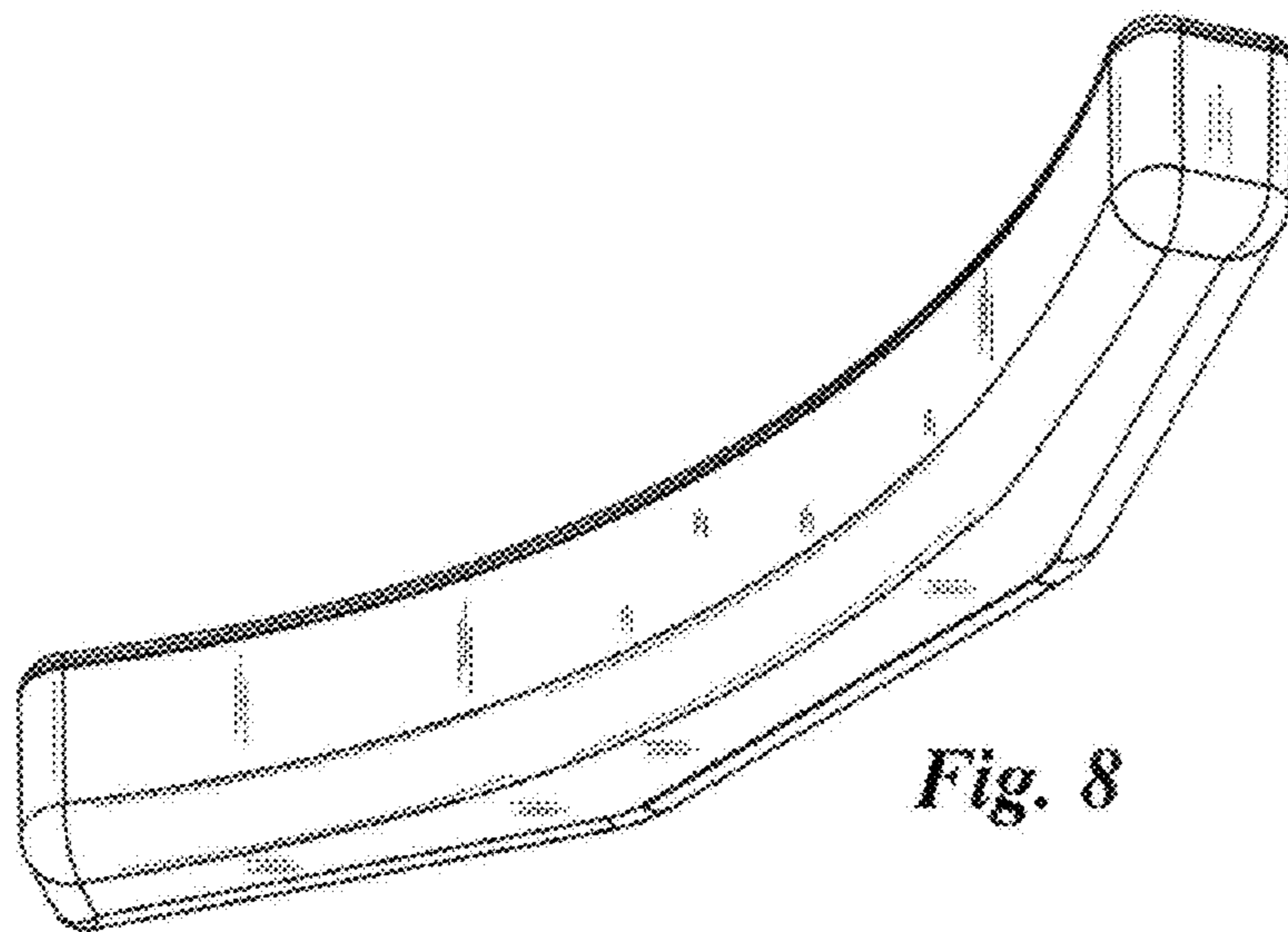


Fig. 8