



US00D656980S

(12) **United States Design Patent**  
**Liao et al.**

(10) **Patent No.:** **US D656,980 S**  
(45) **Date of Patent:** **\*\* Apr. 3, 2012**

(54) **PROJECTOR**

(75) Inventors: **Jung-Mao Liao**, Hsin-Chu (TW);  
**Chi-Chen Chen**, Hsin-Chu (TW);  
**Chia-Tien Chen**, Hsin-Chu (TW)  
(73) Assignee: **Optoma Corporation**, New Taipei (TW)  
(\*\*) Term: **14 Years**  
(21) Appl. No.: **29/377,932**

(22) Filed: **Oct. 28, 2010**  
(51) **LOC (9) Cl.** ..... **16-02**  
(52) **U.S. Cl.** ..... **D16/235; D14/217; D16/225**  
(58) **Field of Classification Search** ..... D16/203,  
D16/213, 221, 225, 229, 230–231, 234–235;  
D21/514; 353/115, 119, 122; D8/29; D14/434,  
D14/435.1, 217; D13/108, 107; 320/114–115;  
361/600; 455/556.1, 556.2  
See application file for complete search history.

(56) **References Cited**

**U.S. PATENT DOCUMENTS**

D56,679 S *	11/1920	Rey	.....	D16/235
D520,446 S *	5/2006	Liu et al.	.....	D13/108
D553,122 S *	10/2007	Solland	.....	D14/217
D554,108 S *	10/2007	Solland	.....	D14/217
D555,184 S *	11/2007	Rodriguez et al.	.....	D16/230
D574,877 S *	8/2008	Schoenert et al.	.....	D16/230
D575,289 S *	8/2008	Kuo et al.	.....	D14/434
D581,905 S *	12/2008	Solland	.....	D14/217
D594,404 S *	6/2009	Kuo et al.	.....	D13/107
D609,636 S *	2/2010	Jensen	.....	D13/108
7,862,185 B2 *	1/2011	Noba	.....	353/119
D648,768 S *	11/2011	Sakamoto	.....	D16/230
2010/0073644 A1 *	3/2010	Ritz	.....	353/119

**OTHER PUBLICATIONS**

Introducing the iPhone Video Projector, 1 page, [online], [retrieved on Dec. 21, 2011]. Retrieved from the Internet <URL: <http://www.impactlab.net/2008/06/11/introducing-the-iphone-video-projector/>>.\*  
Optoma DV20a Neo-I DLP WVGA Projector For iPhone or iPod—50 ANSI Lumens, WVGA 854x480, 16:9, 2000:1 Native, 2.2. lb, 6 pages, copyright 2011, [online], [retrieved on Dec. 21, 2011]. Retrieved from the Internet <URL: [http://www.compusa.com/applications/SearchTools/item-details.asp?EdpNo=7007604\\$ . . .](http://www.compusa.com/applications/SearchTools/item-details.asp?EdpNo=7007604$...)>.\*

\* cited by examiner

*Primary Examiner* — Ian Simmons  
*Assistant Examiner* — Wan Laymon  
(74) *Attorney, Agent, or Firm* — Jianq Chyun IP Office

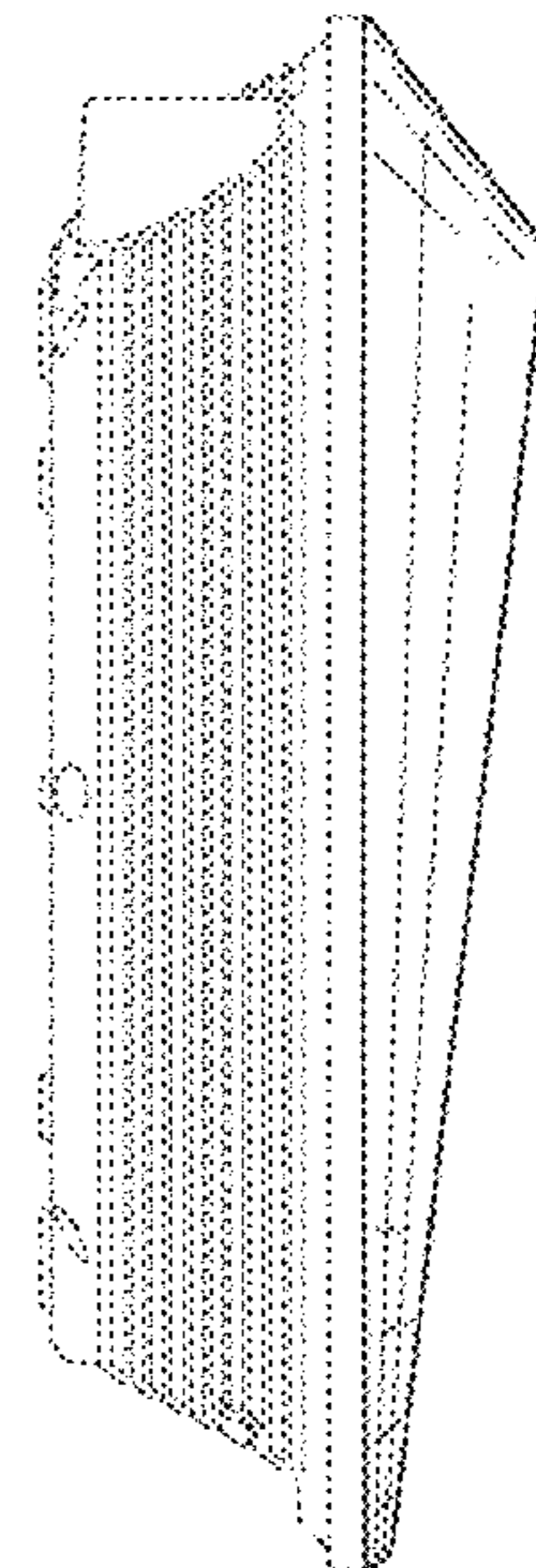
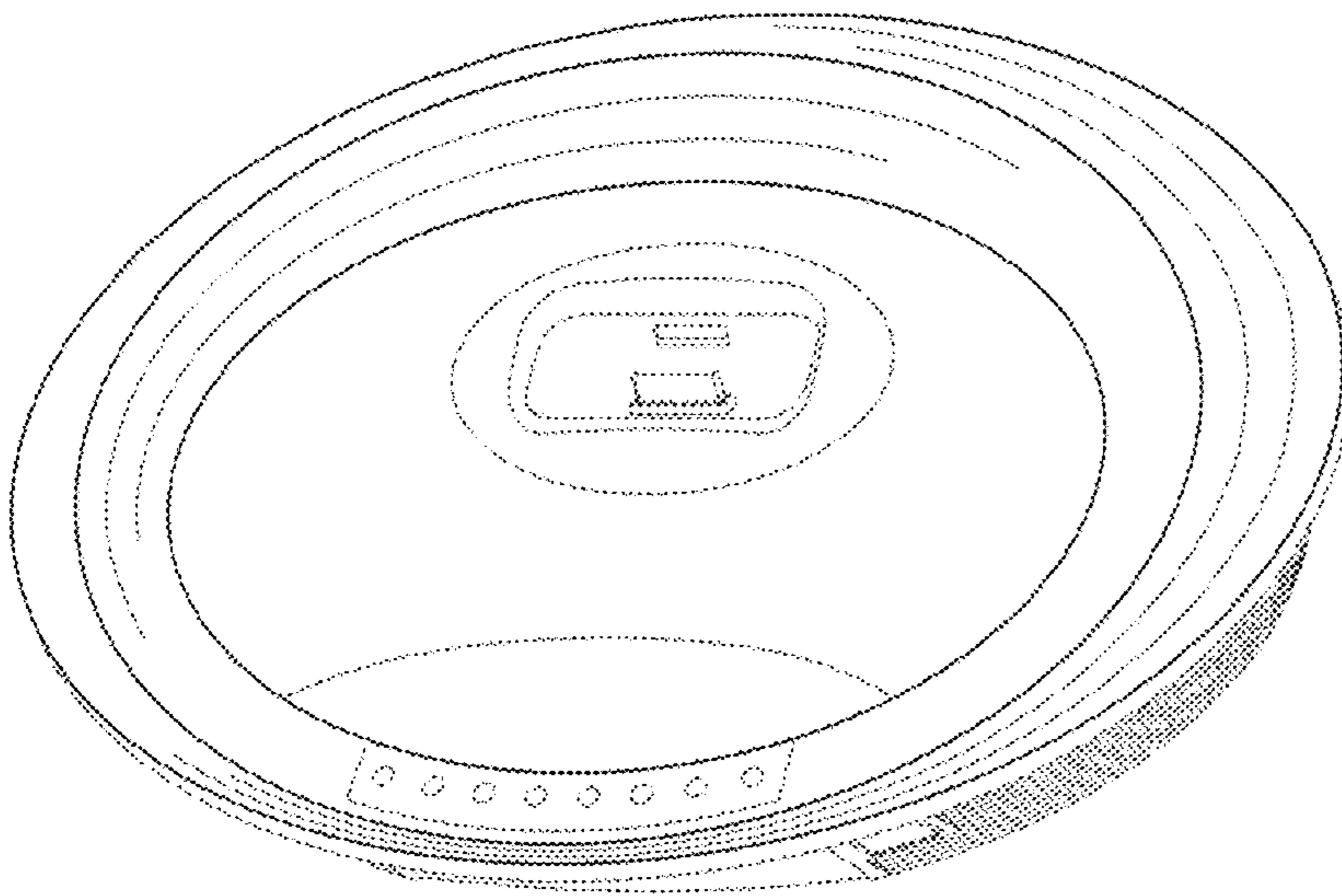
(57) **CLAIM**

The ornamental design for a projector, as shown and described.

**DESCRIPTION**

FIG. 1 is a perspective view of a projector showing our new design;  
FIG. 2 is a front view thereof;  
FIG. 3 is a rear view thereof;  
FIG. 4 is a left side view thereof;  
FIG. 5 is a right side view thereof;  
FIG. 6 is a top view thereof; and,  
FIG. 7 is a bottom view thereof.  
The broken lines shown in the figures are for illustrative purposes only and do not form part of the claimed design.

**1 Claim, 7 Drawing Sheets**



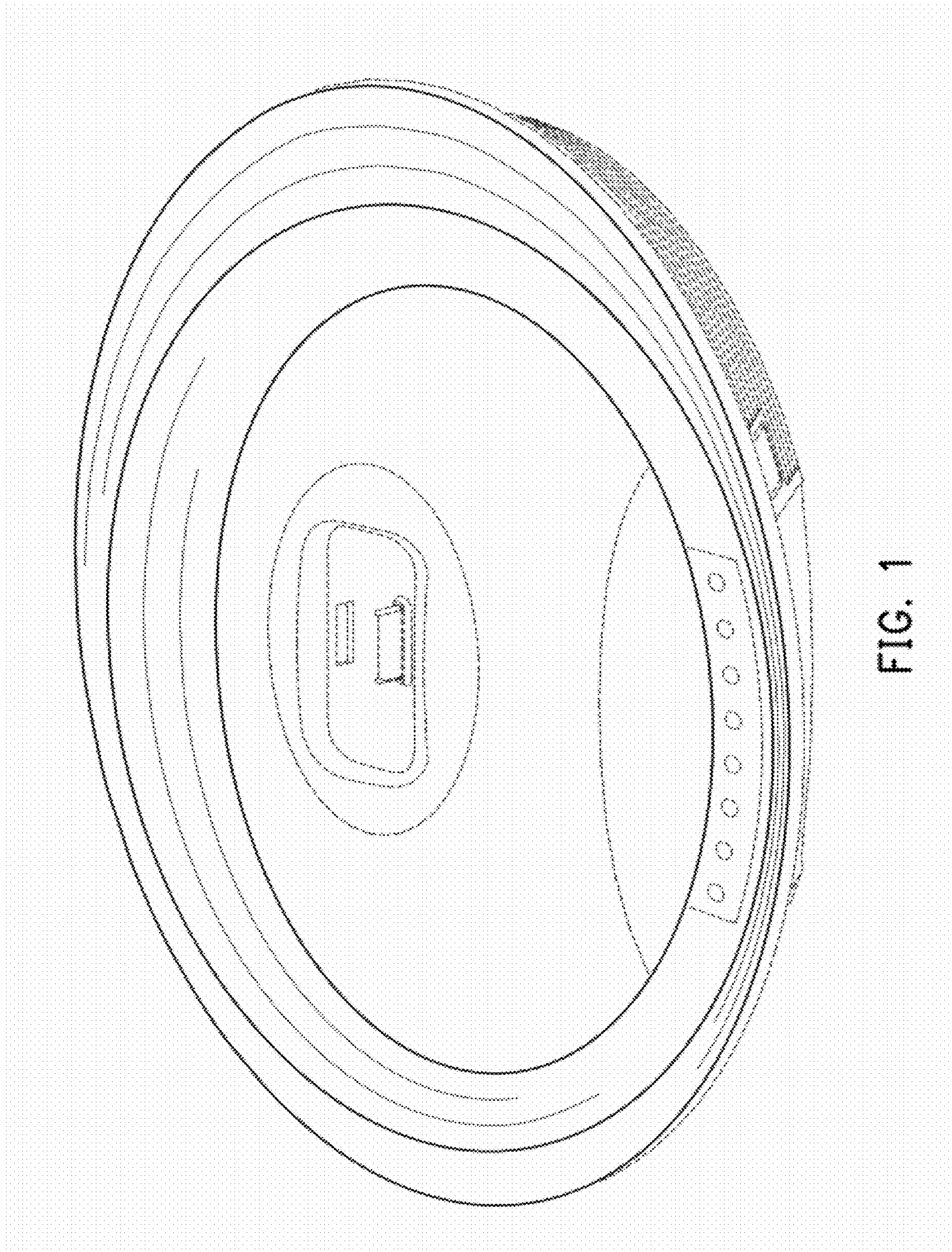


FIG. 1

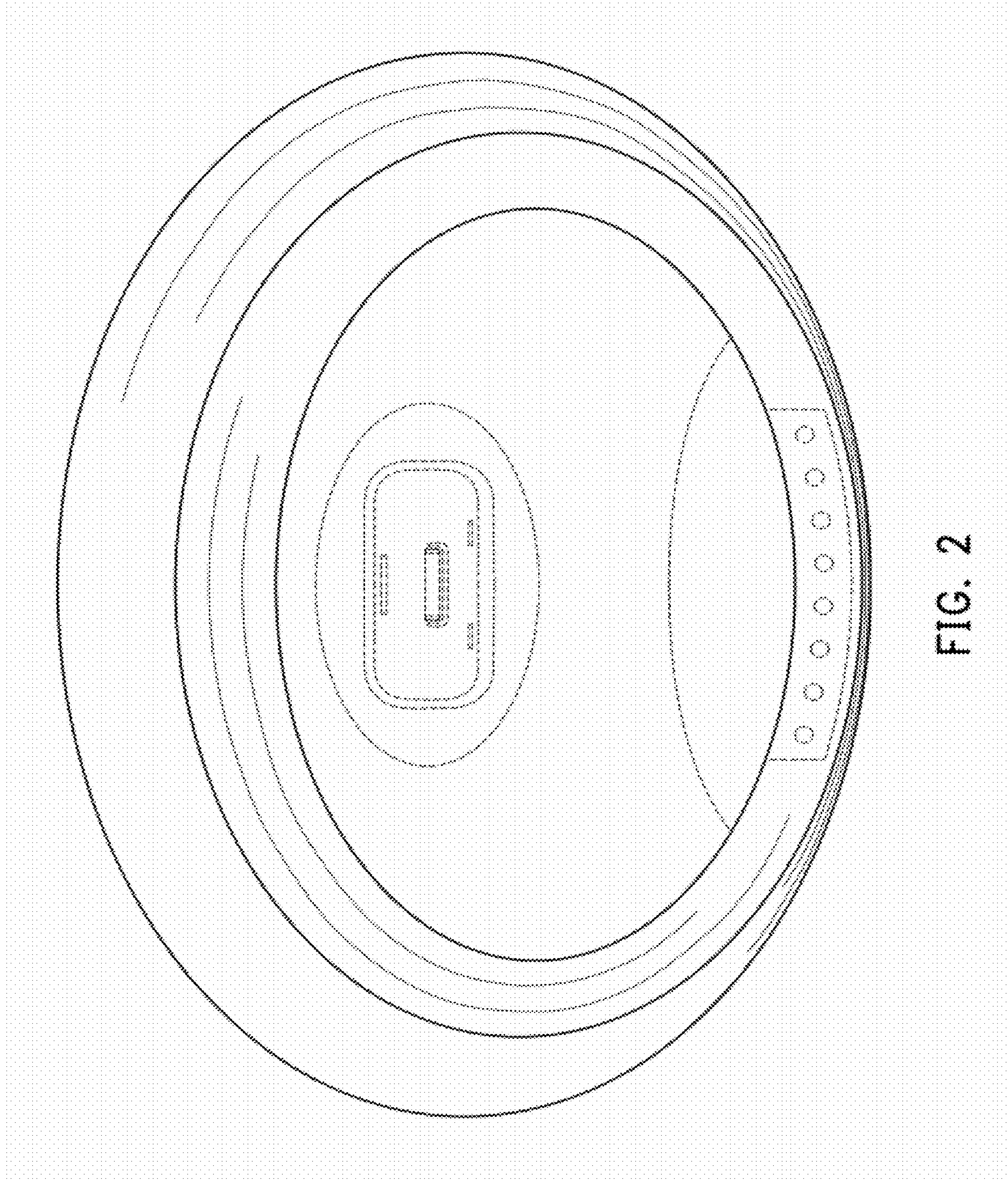


FIG. 2

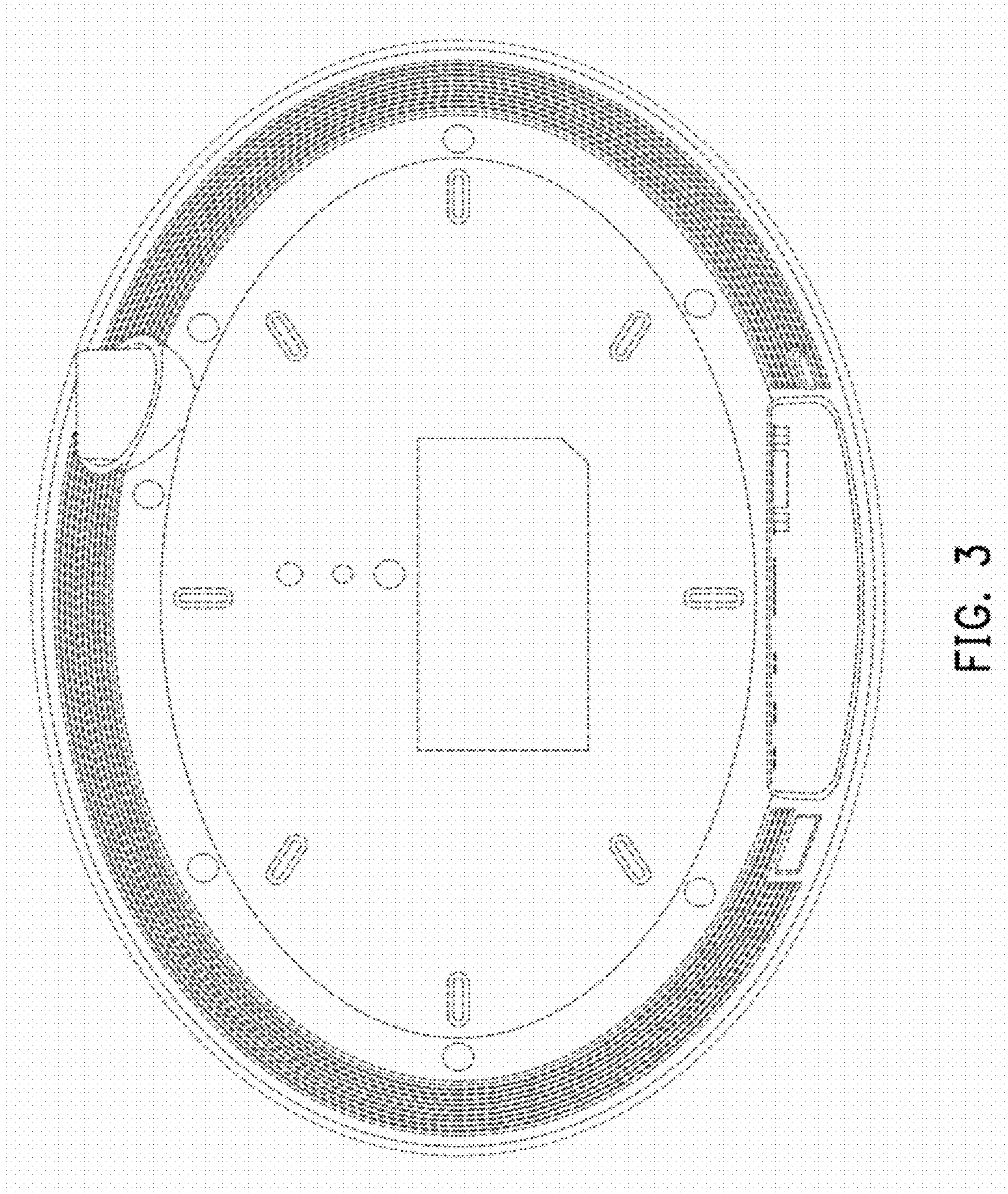


FIG. 3

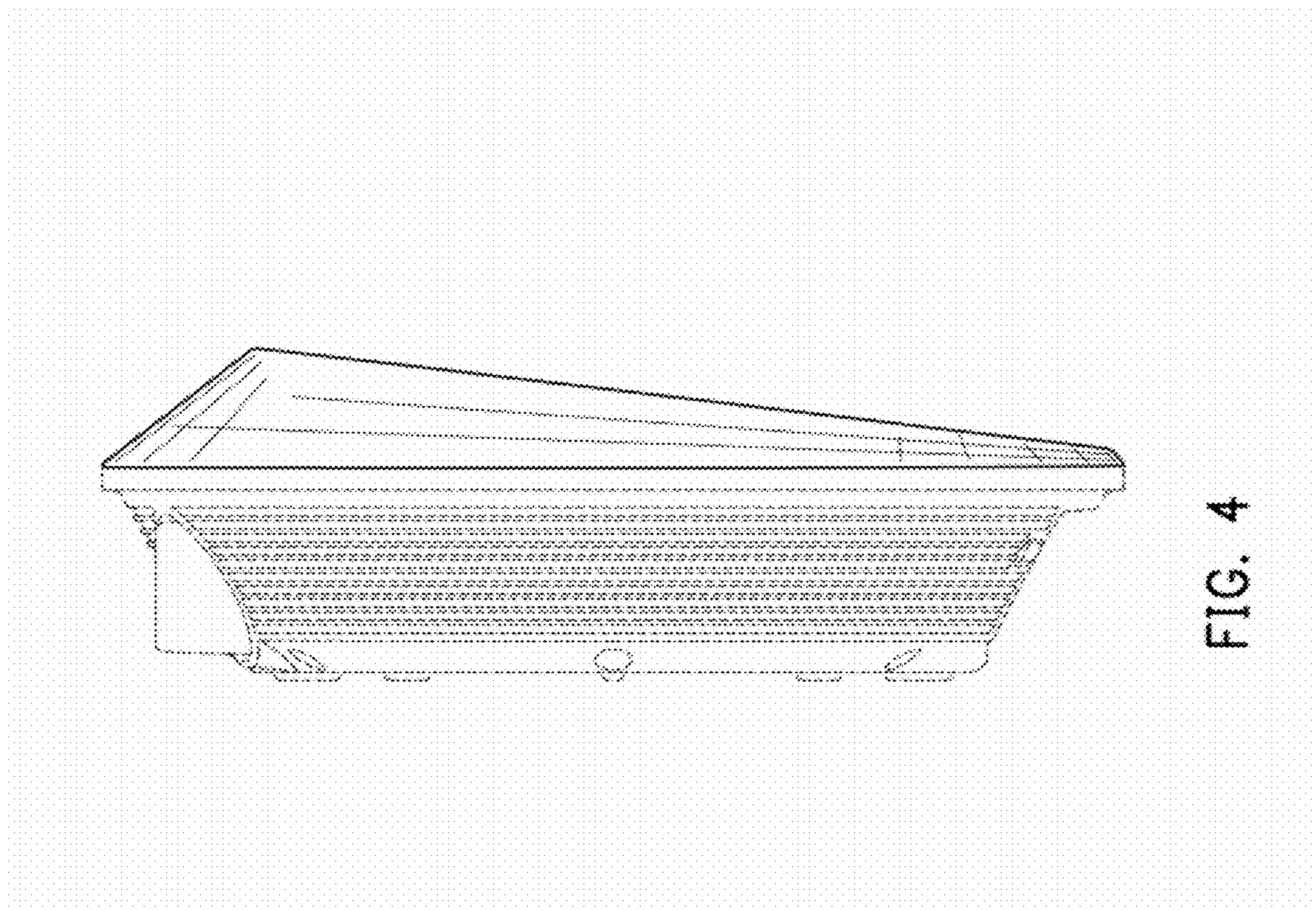


FIG. 4

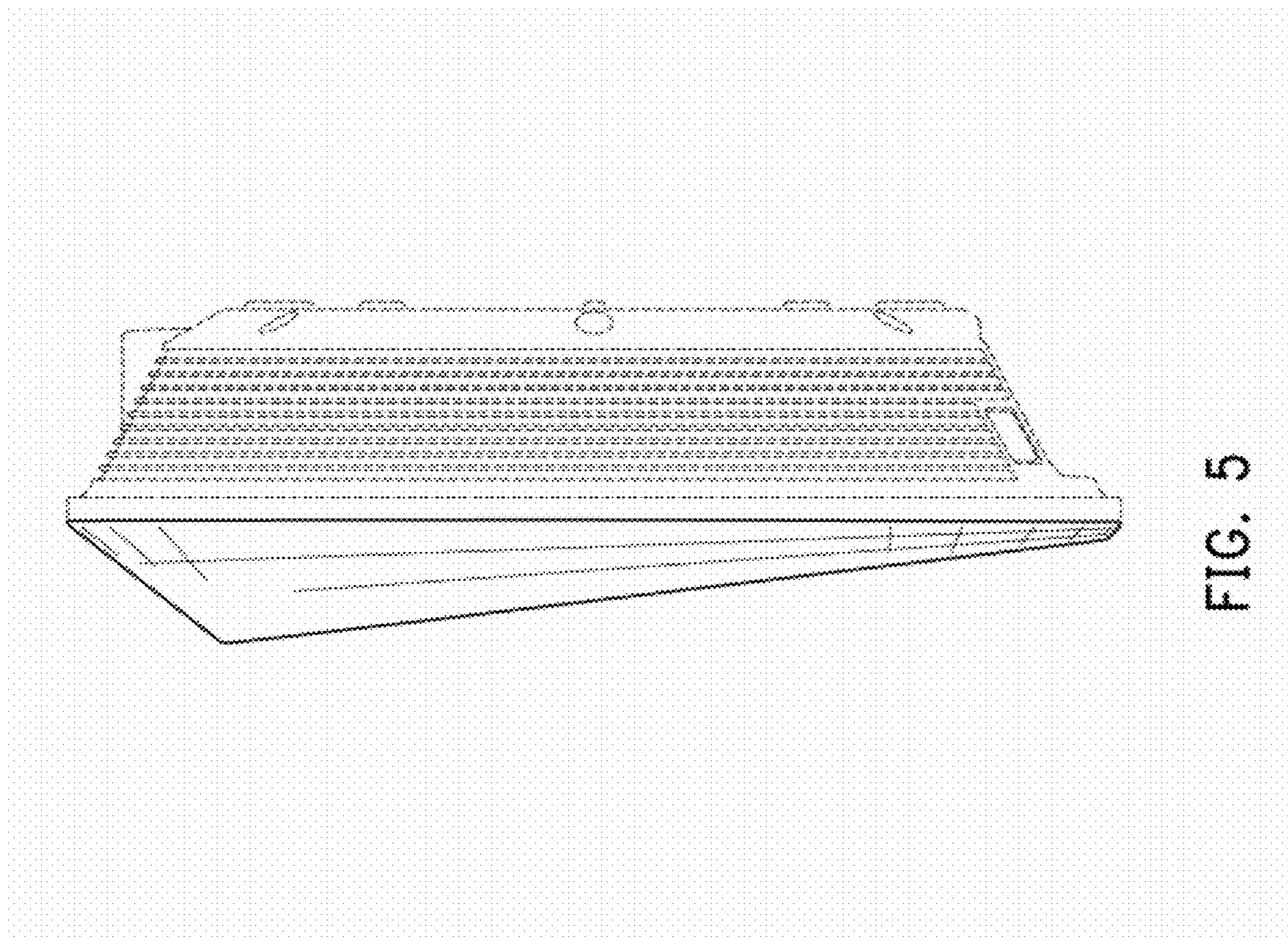


FIG. 5

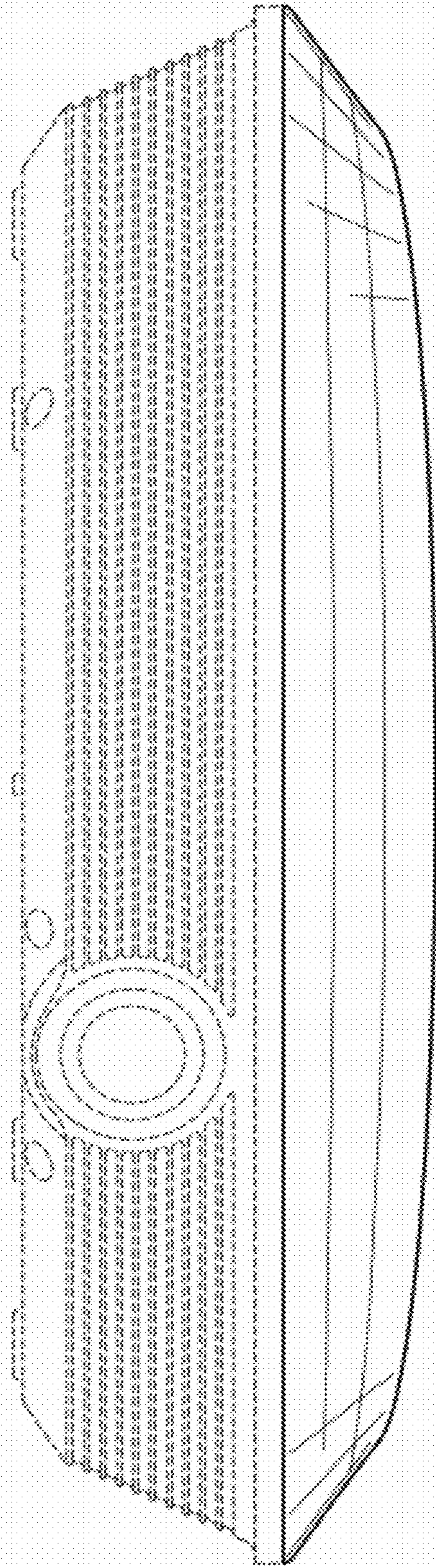


FIG. 6

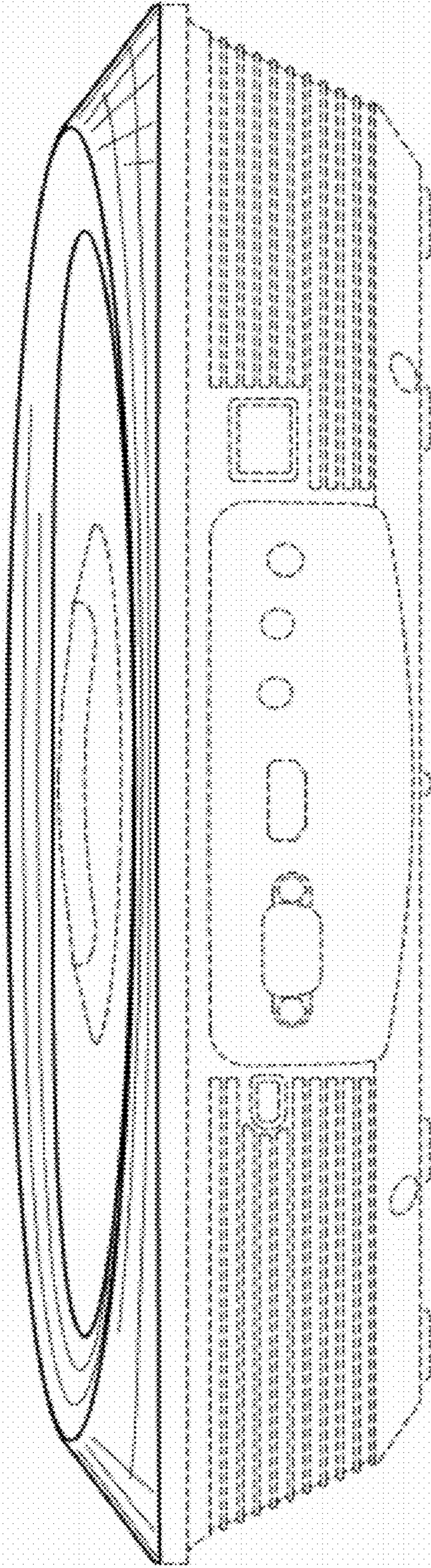


FIG. 7