



US00D656978S

(12) **United States Design Patent**
Stoiakine

(10) **Patent No.:** **US D656,978 S**

(45) **Date of Patent:** **** Apr. 3, 2012**

(54) **MICROSCOPE**

(75) Inventor: **Denis Stoiakine**, Limerick (IE)

(73) Assignee: **NT-MDT Service & Logistics Ltd.**,
Limerick (IE)

(**) Term: **14 Years**

(21) Appl. No.: **29/373,287**

(22) Filed: **Mar. 24, 2011**

(51) **LOC (9) Cl.** **16-06**

(52) **U.S. Cl.** **D16/131**

(58) **Field of Classification Search** D16/131;
359/362, 363, 368, 369, 377, 382, 383, 385,
359/390; 356/326; D10/91; D20/1, 4; 221/221,
221/224; D24/186, 216, 231; D9/432

See application file for complete search history.

(56) **References Cited**

U.S. PATENT DOCUMENTS

| | | | | |
|----------------|--------|-----------------|-------|---------|
| D244,355 S * | 5/1977 | Mazie et al. | | D9/432 |
| D256,726 S * | 9/1980 | Meuli et al. | | D24/232 |
| 5,638,171 A * | 6/1997 | Honig et al. | | 356/244 |
| D445,509 S * | 7/2001 | Berndt et al. | | D24/232 |
| D474,280 S * | 5/2003 | Niedbala et al. | | D24/232 |
| D527,464 S * | 8/2006 | Ina et al. | | D24/232 |
| 7,321,462 B2 * | 1/2008 | Yamamoto | | 359/390 |
| D575,809 S * | 8/2008 | Hebiishi | | D16/131 |

| | | | | |
|--------------|---------|-----------------|-------|---------|
| D591,864 S * | 5/2009 | Schmidt | | D24/216 |
| D603,972 S * | 11/2009 | Petersen et al. | | D24/216 |
| D608,810 S * | 1/2010 | Stoiakine | | D16/131 |
| D623,211 S * | 9/2010 | Oonuma et al. | | D16/131 |
| D625,749 S * | 10/2010 | Oonuma et al. | | D16/131 |
| D626,579 S * | 11/2010 | Oonuma et al. | | D16/131 |
| D630,660 S * | 1/2011 | Stoiakine | | D16/131 |
| D632,323 S * | 2/2011 | Oonuma et al. | | D16/131 |
| D633,537 S * | 3/2011 | Oonuma et al. | | D16/131 |
| D636,005 S * | 4/2011 | Oonuma et al. | | D16/131 |

* cited by examiner

Primary Examiner — Paula Greene

(74) *Attorney, Agent, or Firm* — Fross Zelnick Lehrman &
Zissu, P.C.; Charles T. J. Weigell, Esq.

(57) **CLAIM**

The ornamental design for a microscope, as shown and described.

DESCRIPTION

FIG. 1 is a front perspective view of a microscope showing my new design;

FIG. 2 is a front view of the microscope shown in FIG. 1;

FIG. 3 is a rear view of the microscope shown in FIG. 1;

FIG. 4 is a right side view of the microscope shown in FIG. 1;

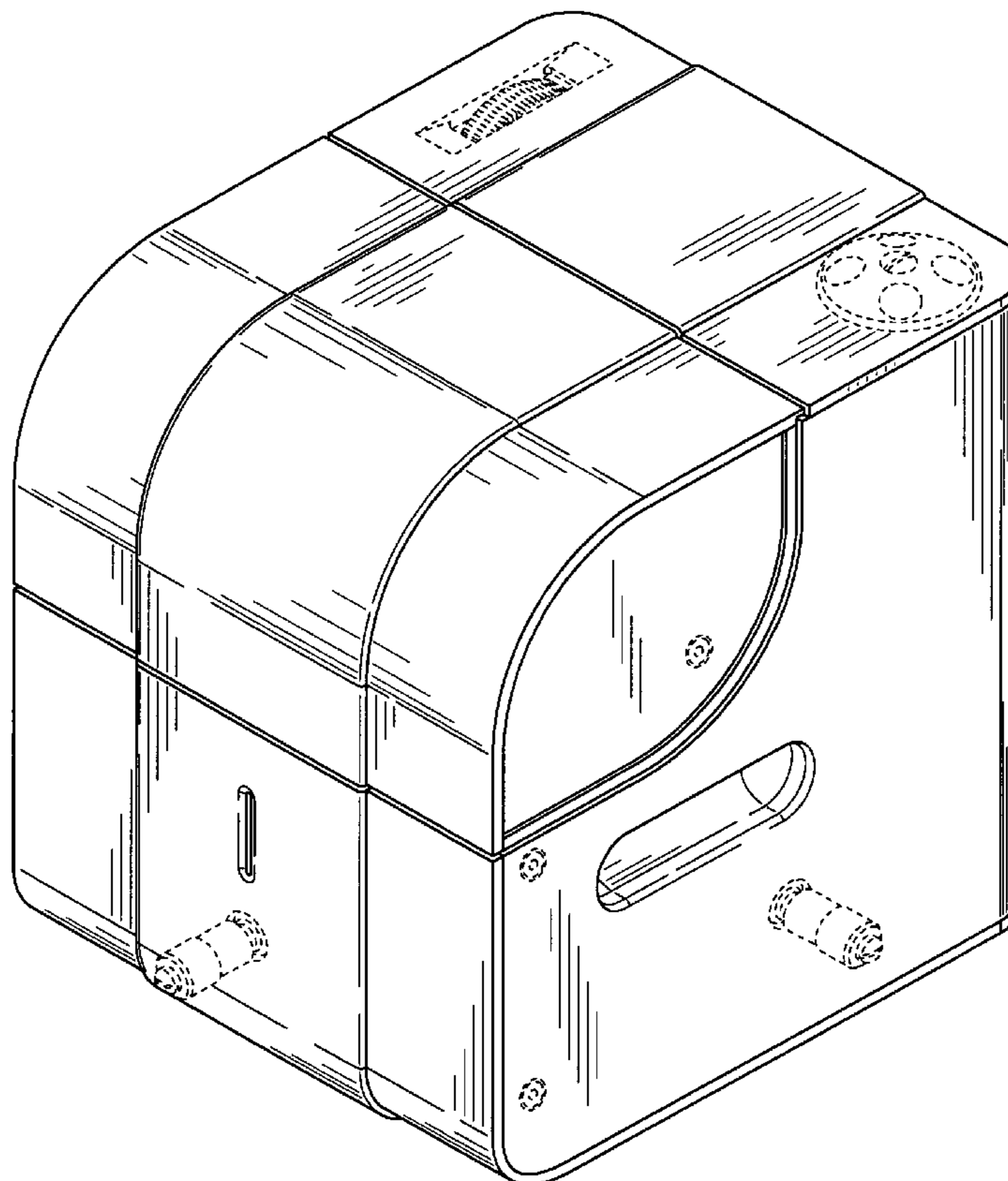
FIG. 5 is a left side view of the microscope shown in FIG. 1;

FIG. 6 is a top view of the microscope shown in FIG. 1; and,

FIG. 7 is a bottom view of the microscope shown in FIG. 1.

The broken lines depicting various portions of the microscope show unclaimed subject matter.

1 Claim, 7 Drawing Sheets



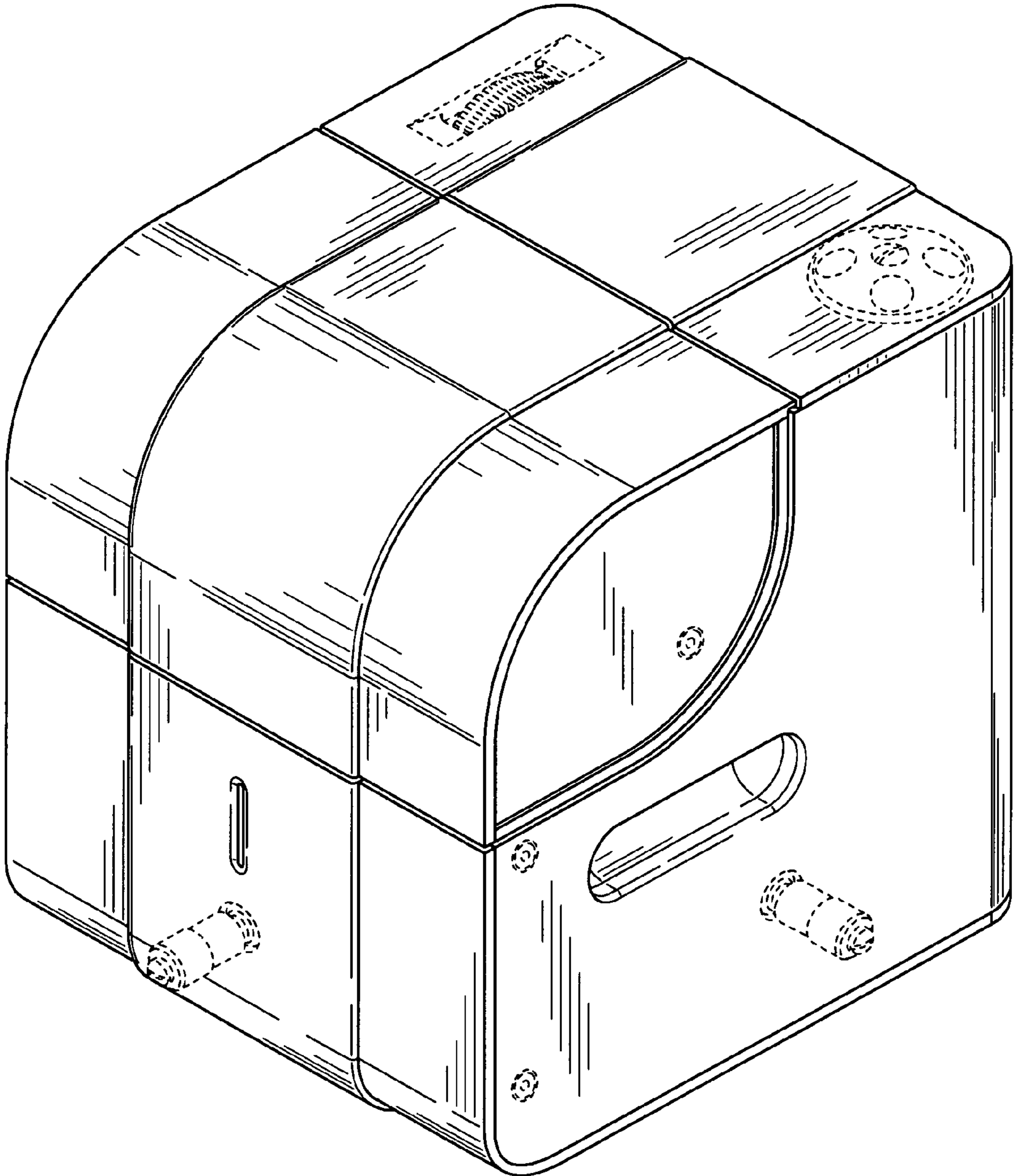


FIG. 1

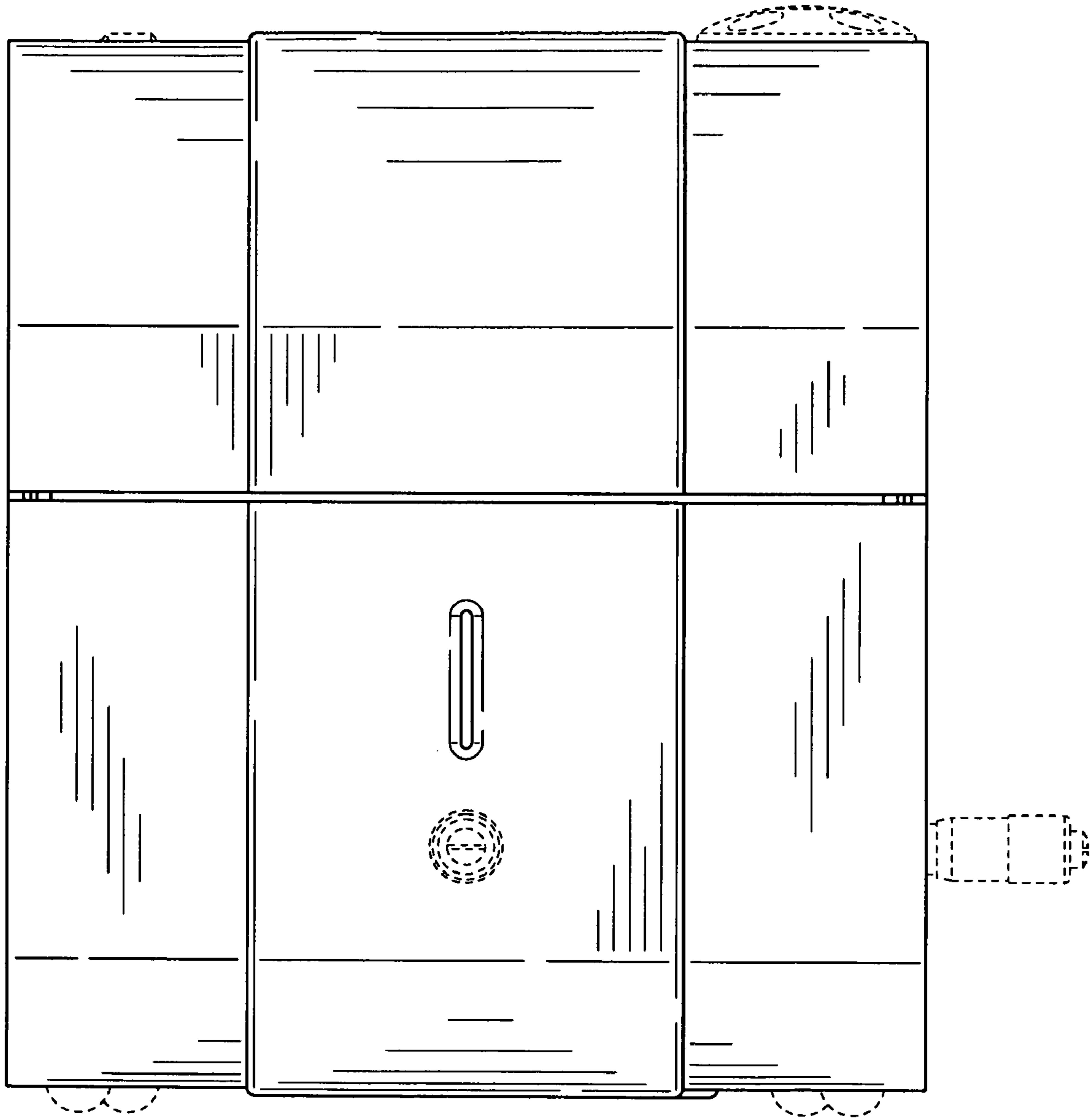


FIG. 2

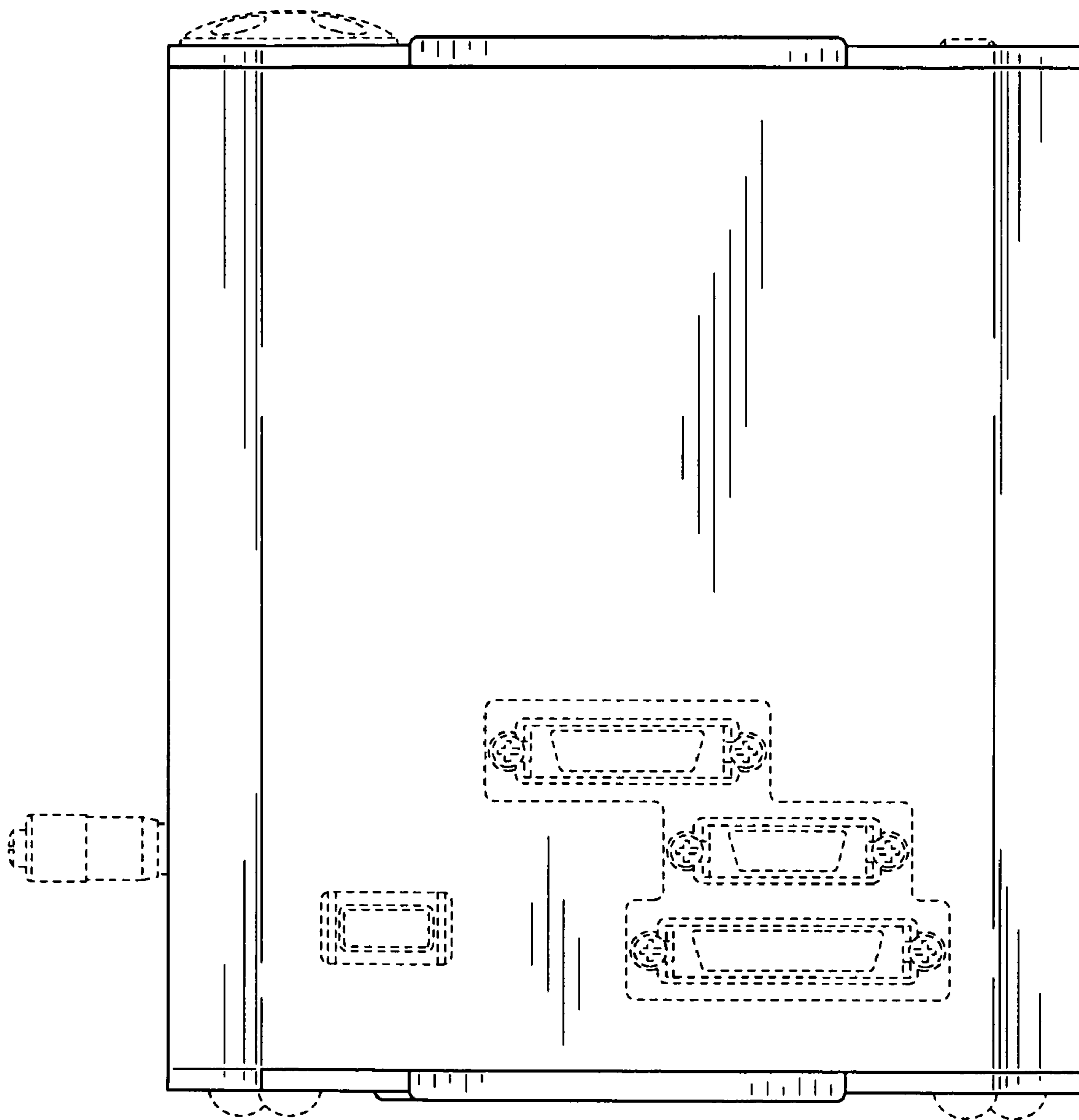


FIG. 3

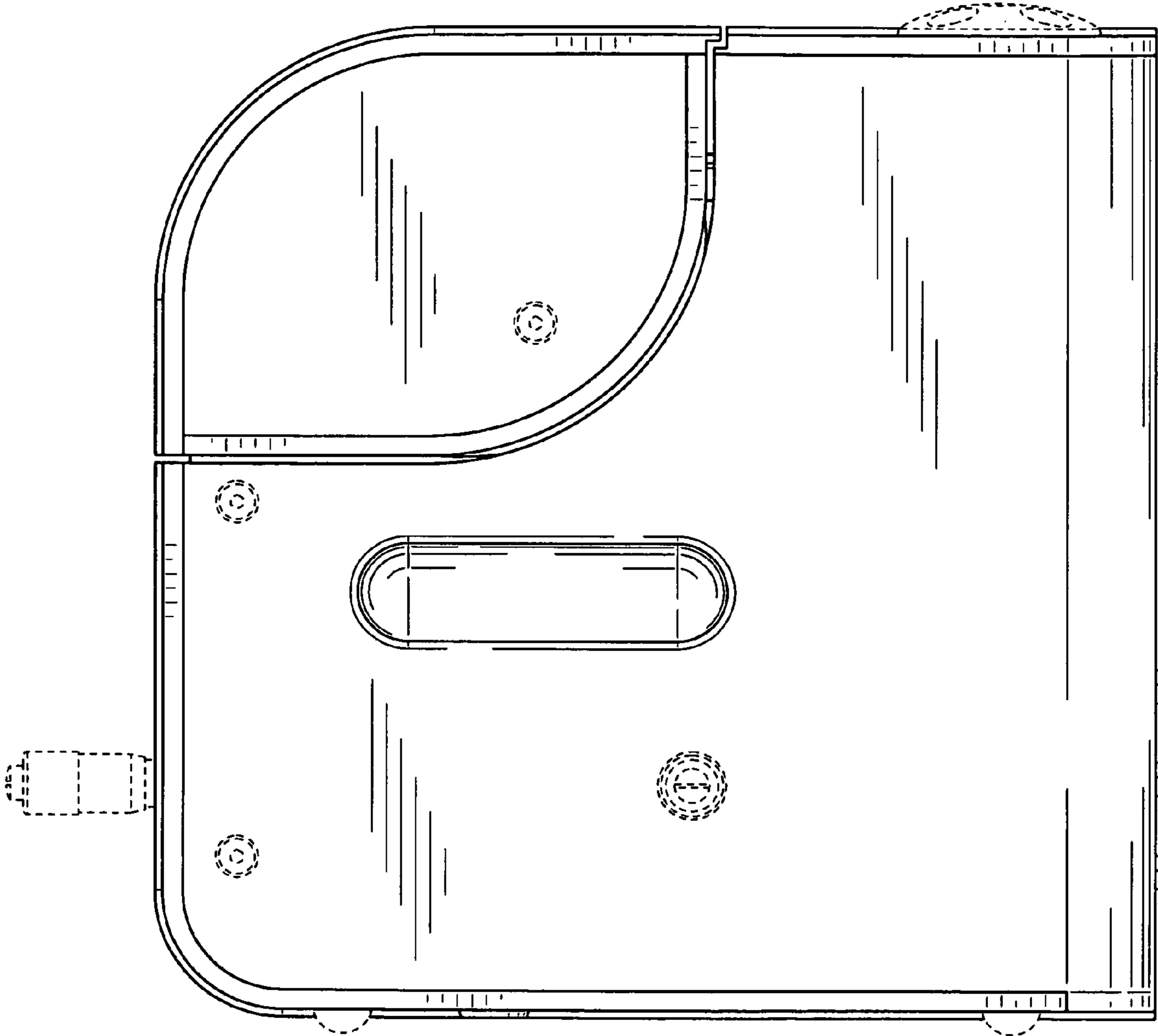


FIG. 4

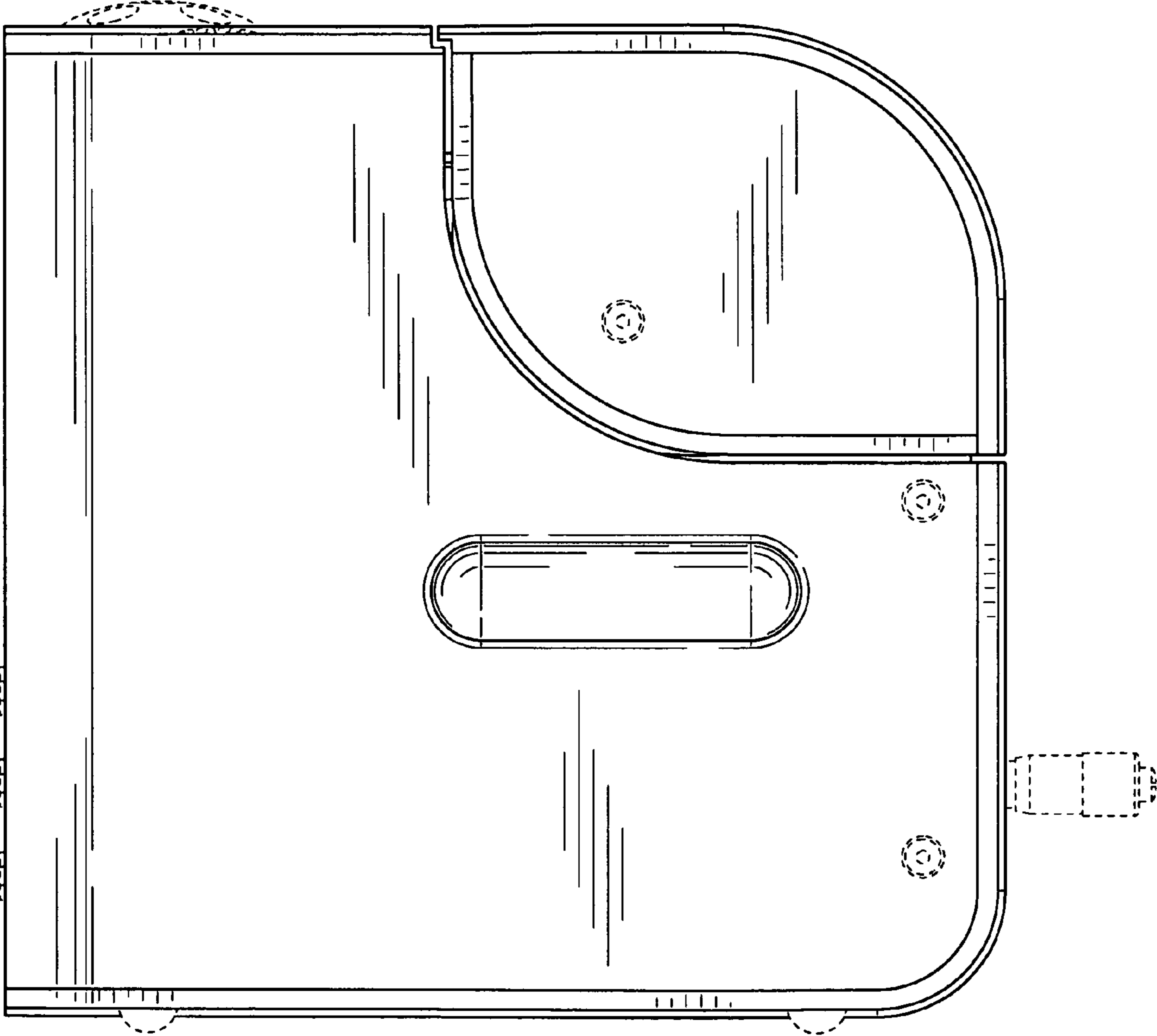


FIG. 5

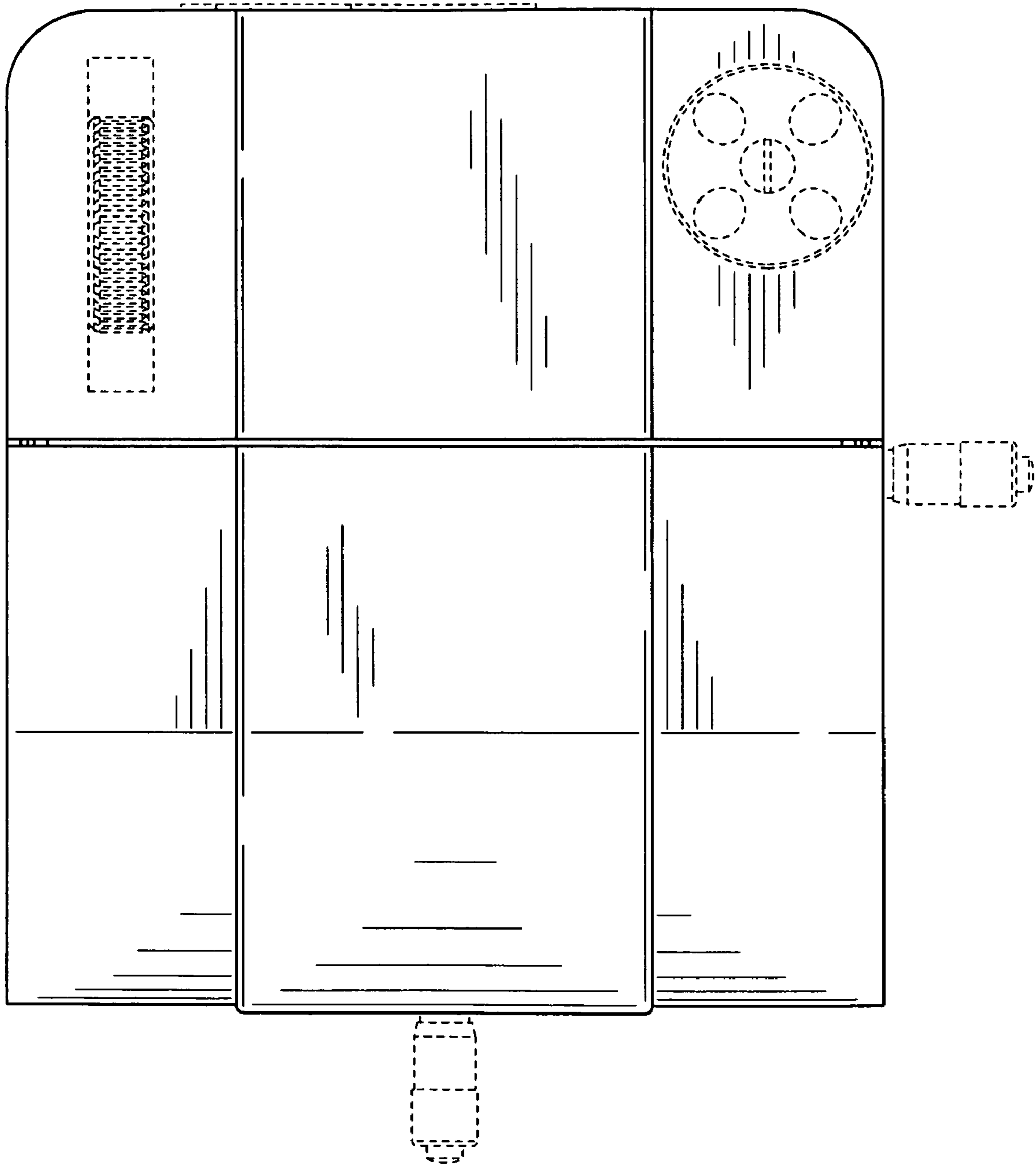


FIG. 6

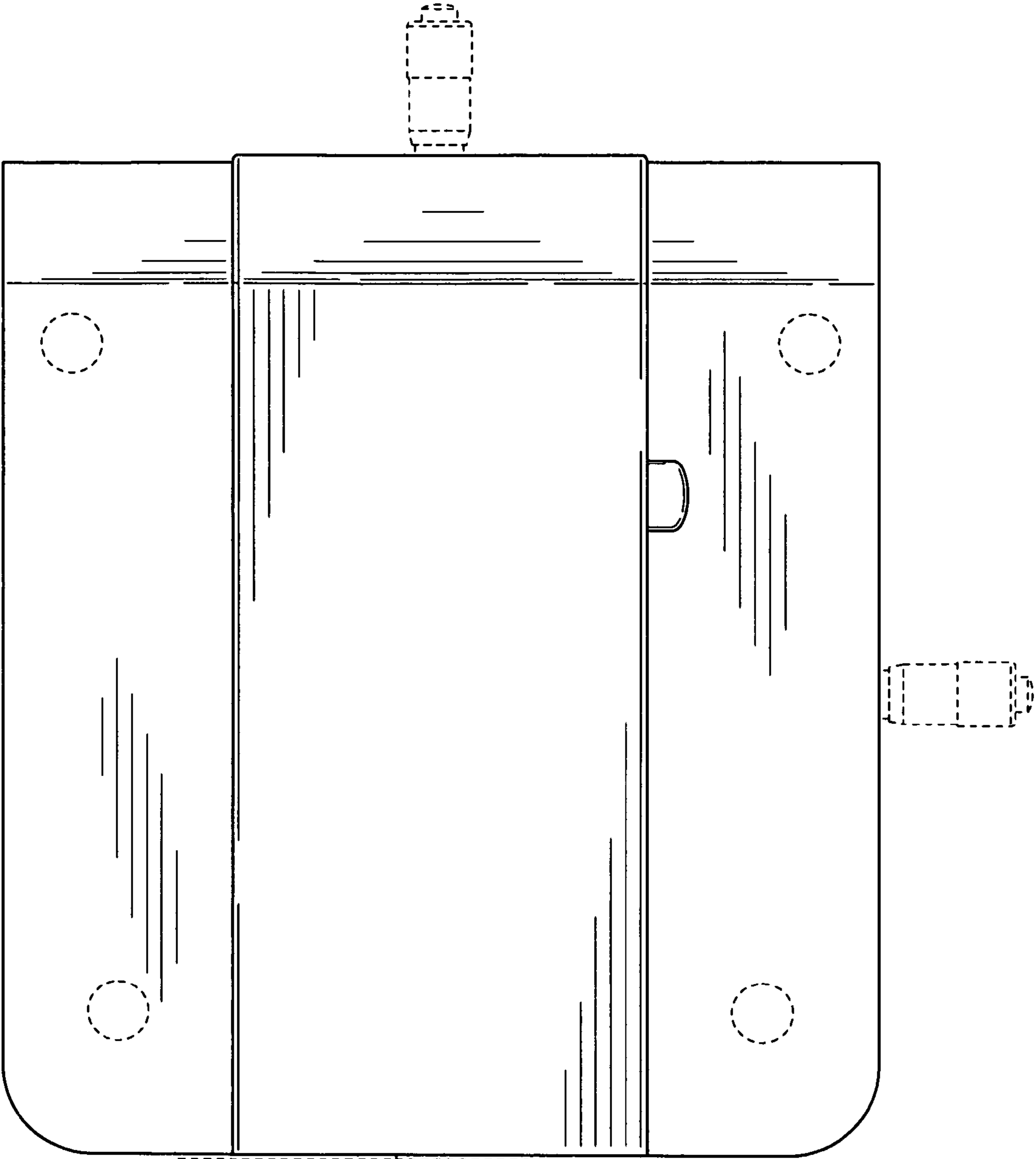


FIG. 7

UNITED STATES PATENT AND TRADEMARK OFFICE
CERTIFICATE OF CORRECTION

PATENT NO. : D656,978 S
APPLICATION NO. : 29/373287
DATED : April 3, 2012
INVENTOR(S) : Denis Stoiakine

Page 1 of 1

It is certified that error appears in the above-identified patent and that said Letters Patent is hereby corrected as shown below:

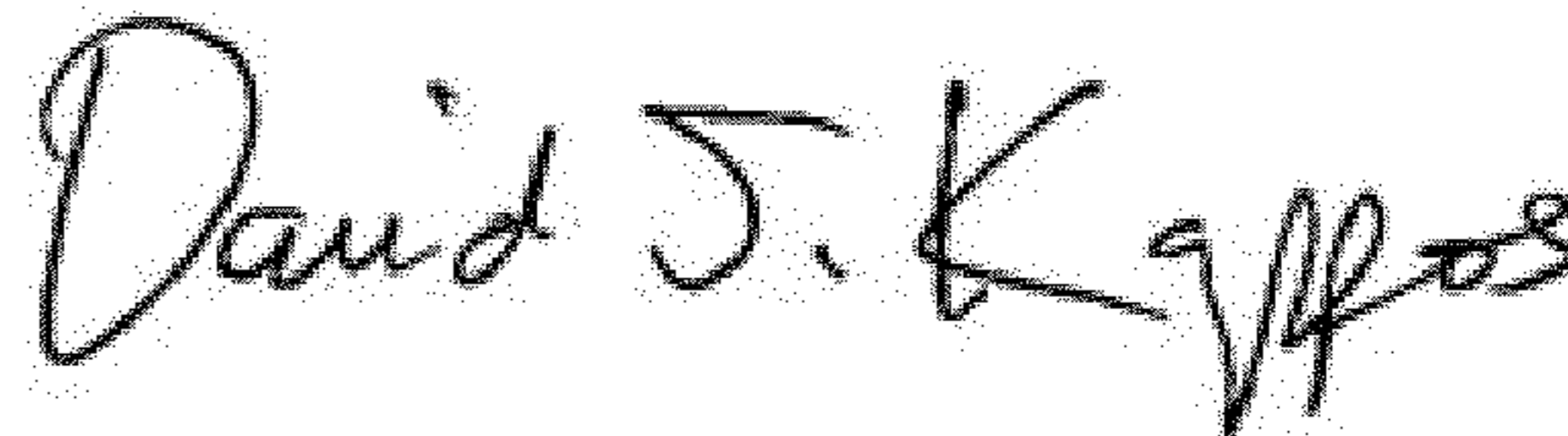
Title Page item (30) Foreign Application Priority Data

should read -

(30) Foreign Application Priority Data

Oct 8, 2010 (EM)001238646-0001

Signed and Sealed this
Eighth Day of May, 2012



David J. Kappos
Director of the United States Patent and Trademark Office