



US00D656977S

(12) **United States Design Patent**
Nojima et al.

(10) **Patent No.:** **US D656,977 S**
(45) **Date of Patent:** **** Apr. 3, 2012**

(54) **SUPPORT STAND FOR A DIGITAL MICROSCOPE**

(75) Inventors: **Akira Nojima**, Tokyo (JP); **Tatsuya Uemachi**, Kanagawa pref. (JP)

(73) Assignee: **Nikon Corporation** (JP)

(**) Term: **14 Years**

(21) Appl. No.: **29/373,068**

(22) Filed: **Feb. 24, 2011**

(30) **Foreign Application Priority Data**

Aug. 26, 2010 (JP) 2010-020606

(51) **LOC (9) Cl.** **16-06**

(52) **U.S. Cl.** **D16/131**

(58) **Field of Classification Search** D16/130,
D16/131, 136, 225, 232, 235; D15/140;
348/79; 359/368, 389, 390, 386, 801; 248/278.1,
248/423, 914, 917, 918, 919

See application file for complete search history.

(56) **References Cited**

U.S. PATENT DOCUMENTS

D159,739	S	*	8/1950	Lindemann	D16/131
2,862,328	A	*	12/1958	Wadsworth	108/44
D235,478	S	*	6/1975	Armbruster	D16/131
D240,861	S	*	8/1976	Armbruster	D16/131
D252,276	S	*	7/1979	Griffith	D16/131
D261,397	S	*	10/1981	Speaker	D16/131
4,547,121	A	*	10/1985	Nesmith	414/753.1
4,679,904	A	*	7/1987	Kurihara	359/824
D291,702	S	*	9/1987	Kahute	D16/131
4,824,229	A	*	4/1989	Narita et al.	359/393
4,863,252	A	*	9/1989	McCarthy et al.	359/376
5,016,846	A	*	5/1991	Solomon	248/161
5,691,840	A	*	11/1997	Bae et al.	359/386
D444,157	S	*	6/2001	Vant	D15/140
D498,247	S	*	11/2004	Suzuki et al.	D16/131
D540,835	S	*	4/2007	Apotheloz	D16/131
D577,047	S	*	9/2008	Apotheloz	D16/131

(Continued)

Primary Examiner — Paula Greene

(74) *Attorney, Agent, or Firm* — Schwegman, Lundberg & Woessner, P.A.

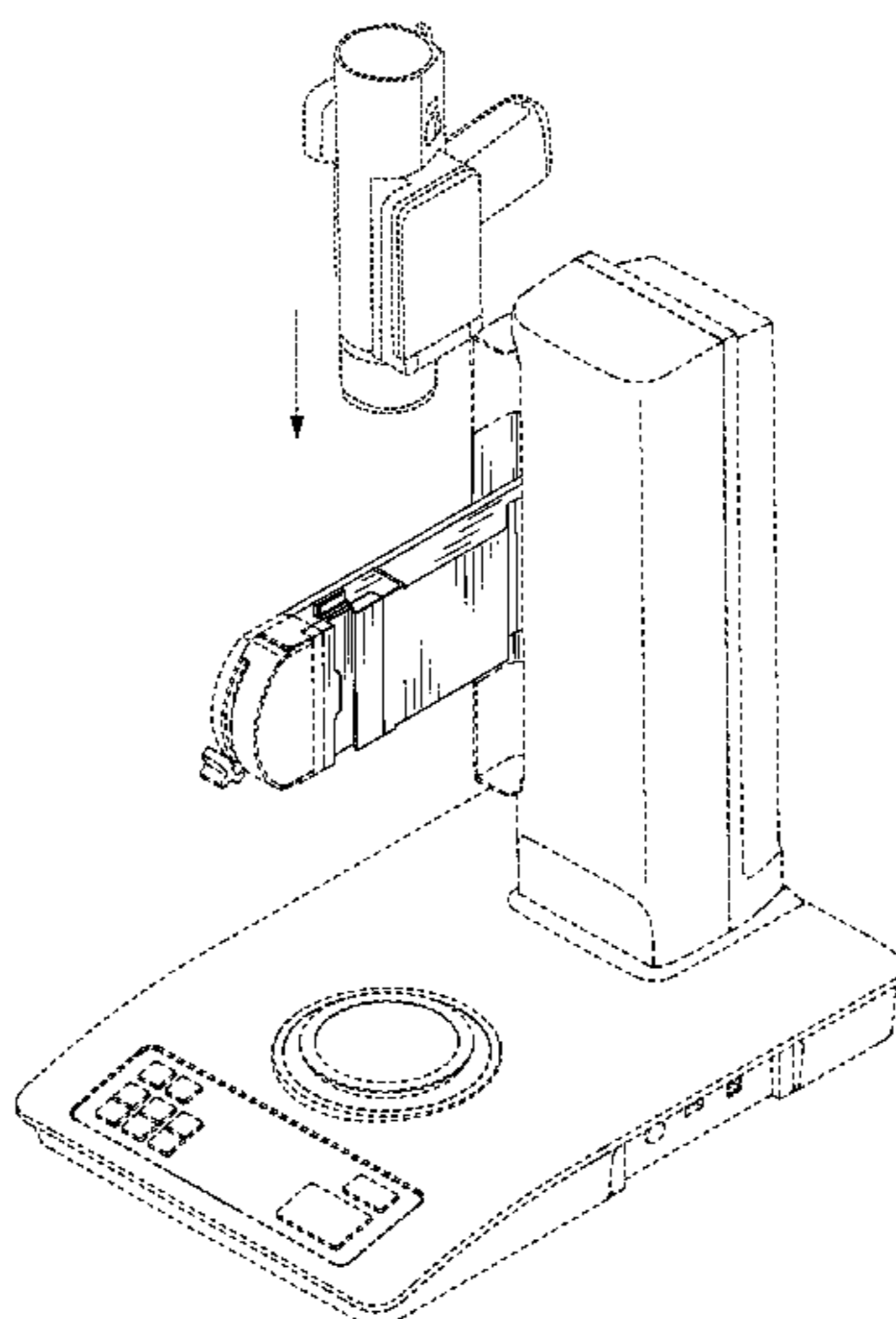
(57) **CLAIM**

The ornamental design for a support stand for a digital microscope, as shown and described.

DESCRIPTION

FIG. 1 is a front perspective view of a support stand for a digital microscope showing our new design;
 FIG. 2 is a rear perspective view thereof;
 FIG. 3 is a front view thereof;
 FIG. 4 is a rear view thereof;
 FIG. 5 is a top plan view thereof;
 FIG. 6 is a right side view thereof;
 FIG. 7 is a left side view thereof;
 FIG. 8 is an enlarged cross-sectional view taken along line 8-8 in FIG. 3;
 FIG. 9 is an enlarged cross-sectional view taken along line 9-9 in FIG. 3;
 FIG. 10 is an enlarged view of the portion indicated by line 10-10 in FIG. 1;
 FIG. 11 is an enlarged view of the portion indicated by line 11-11 in FIG. 2;
 FIG. 12 is an enlarged view of the portion indicated by line 12-12 in FIG. 3;
 FIG. 13 is an enlarged view of the portion indicated by line 13-13- in FIG. 5;
 FIG. 14 is an enlarged view of the portion indicated by line 14-14 in FIG. 8;
 FIG. 15 is an enlarged view of the portion indicated by line 15-15 in FIG. 9;
 FIG. 16 is a reduced cross-sectional view of the knob shown separately for ease of illustration and cross-sectional view taken along line 16-16 in FIG. 12; and,
 FIG. 17 is a perspective view showing the article in use.
 The features shown in broken lines in the drawings depict environmental subject matter only and form no part of the claimed design. The dot-dashed lines denote the boundary of the claim and form no part of the claimed design.

1 Claim, 17 Drawing Sheets



US D656,977 S

Page 2

U.S. PATENT DOCUMENTS

7,621,490 B2 *	11/2009	Tseng	248/157	D626,162 S *	10/2010	Suzuki et al.	D16/131
D623,679 S *	9/2010	Dittmer	D16/235	D631,903 S *	2/2011	Sugiyama	D16/225

* cited by examiner

FIG. 1

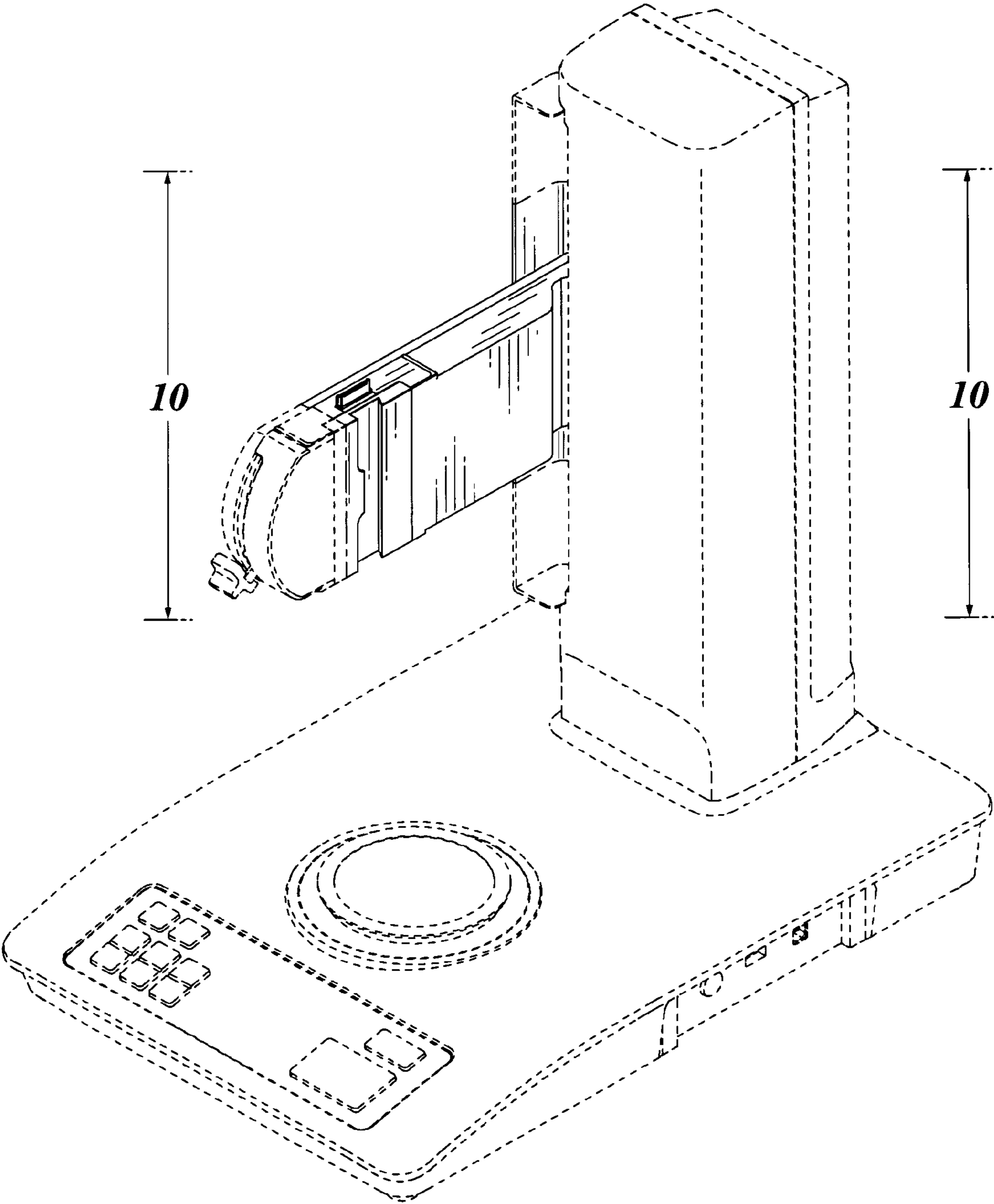


FIG. 2

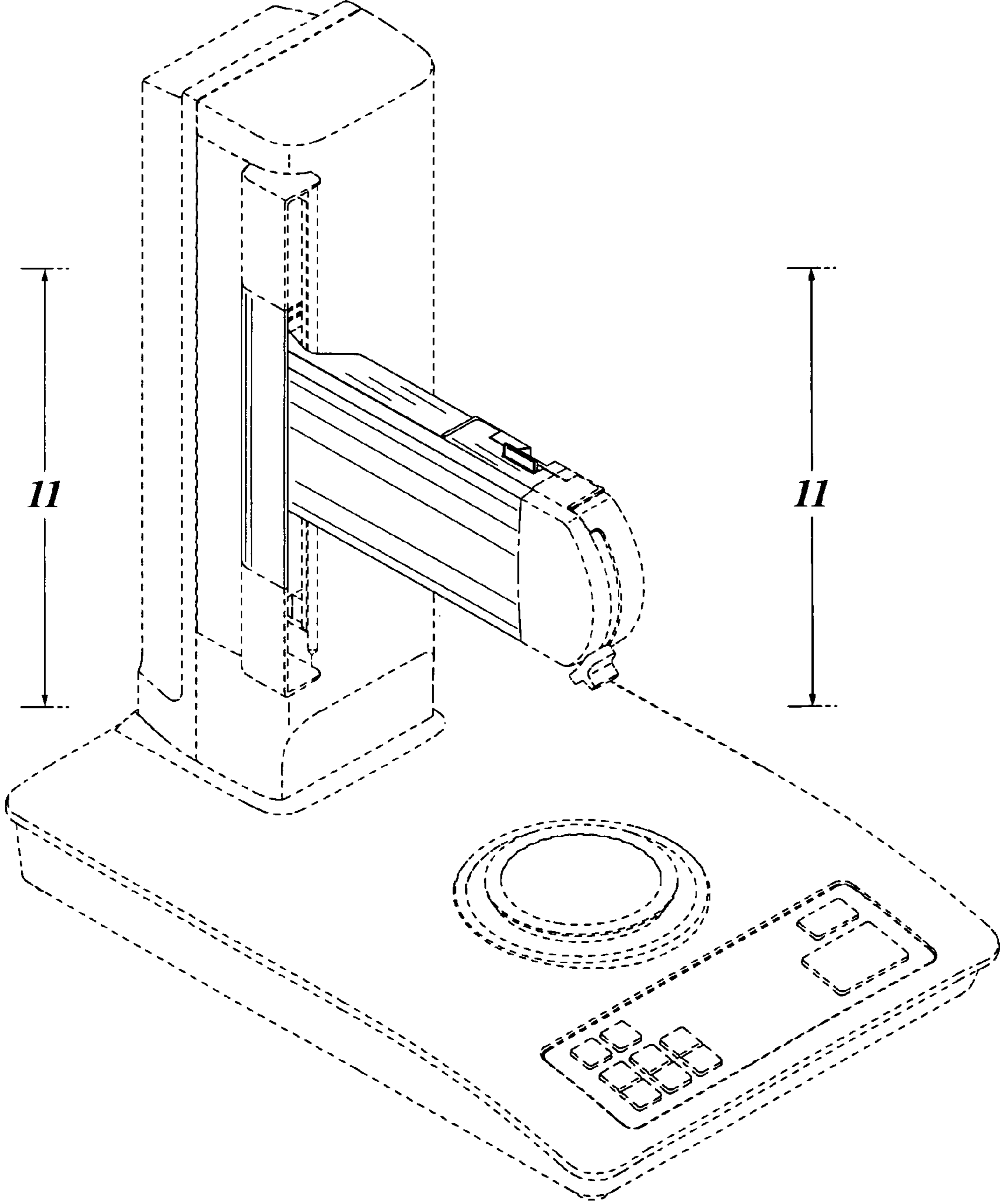


FIG. 3

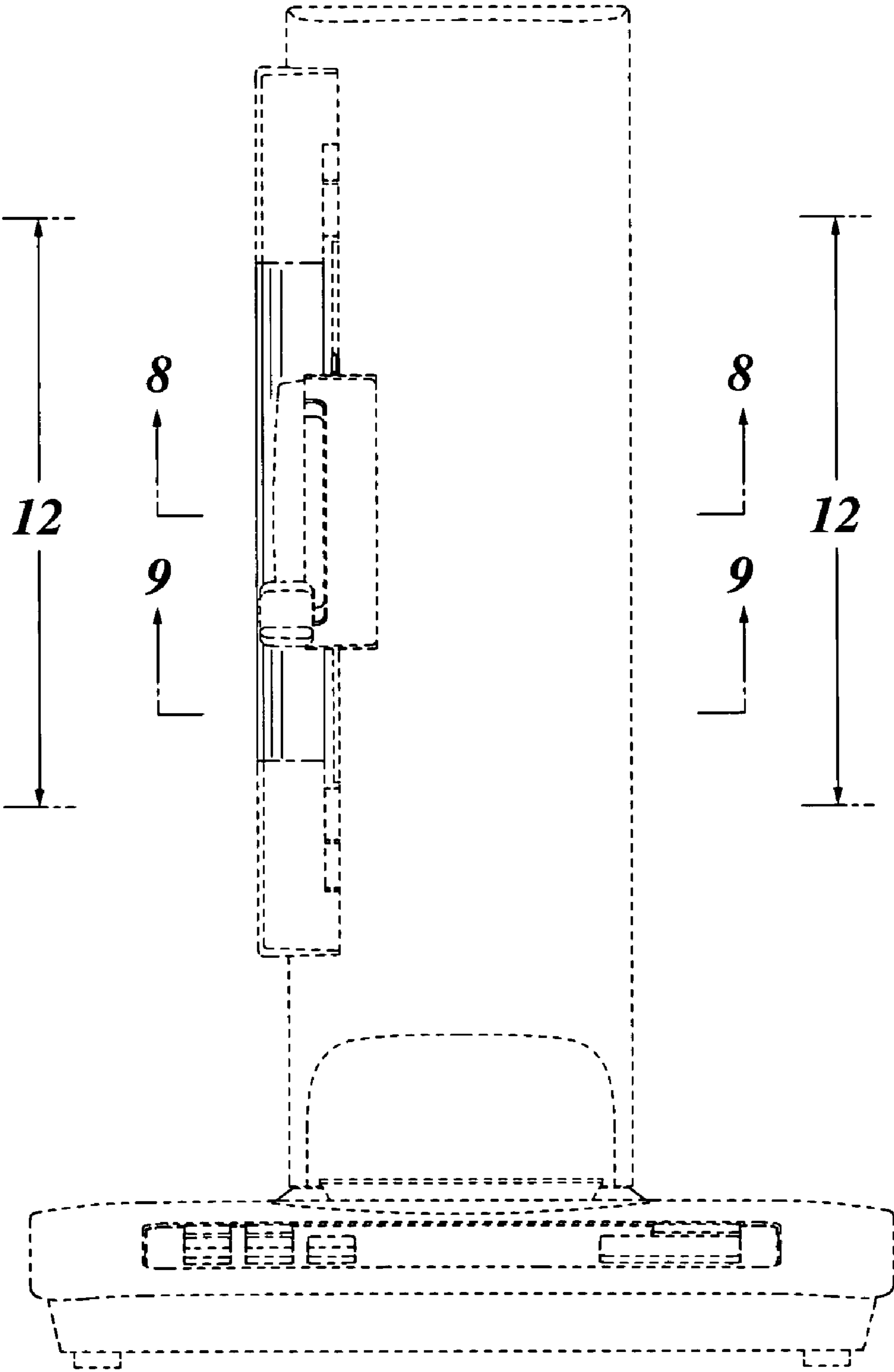


FIG. 4

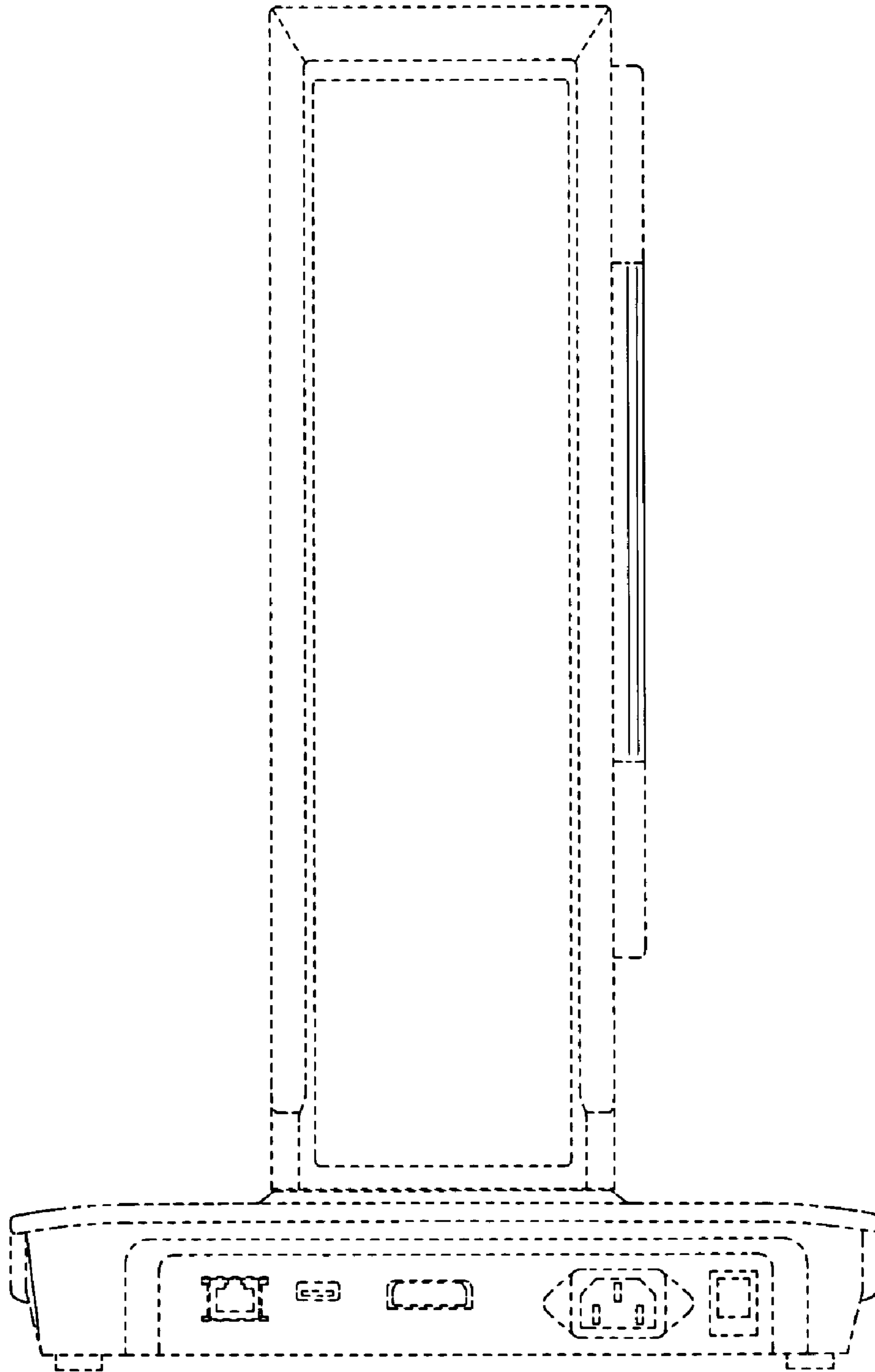


FIG. 5

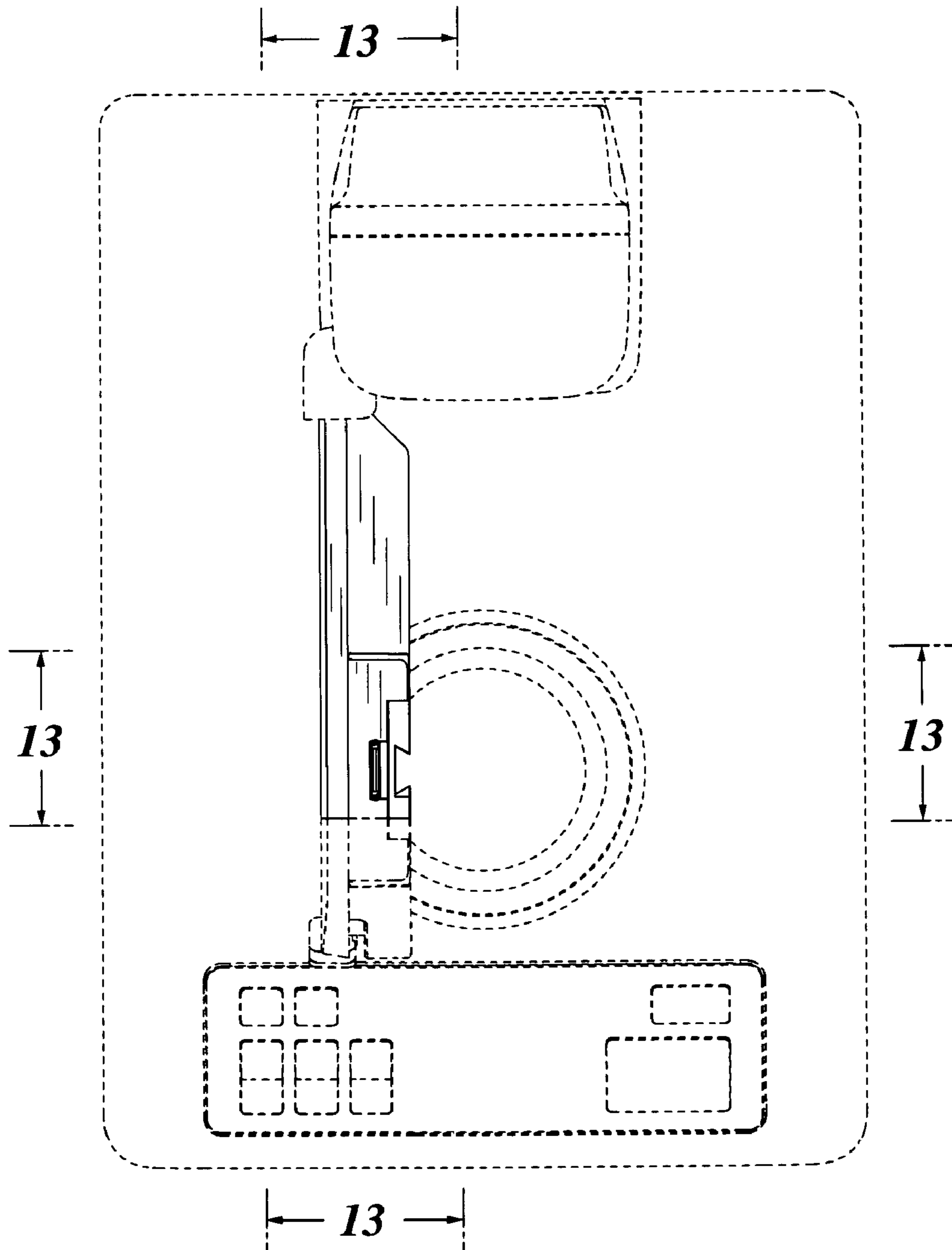


FIG. 6

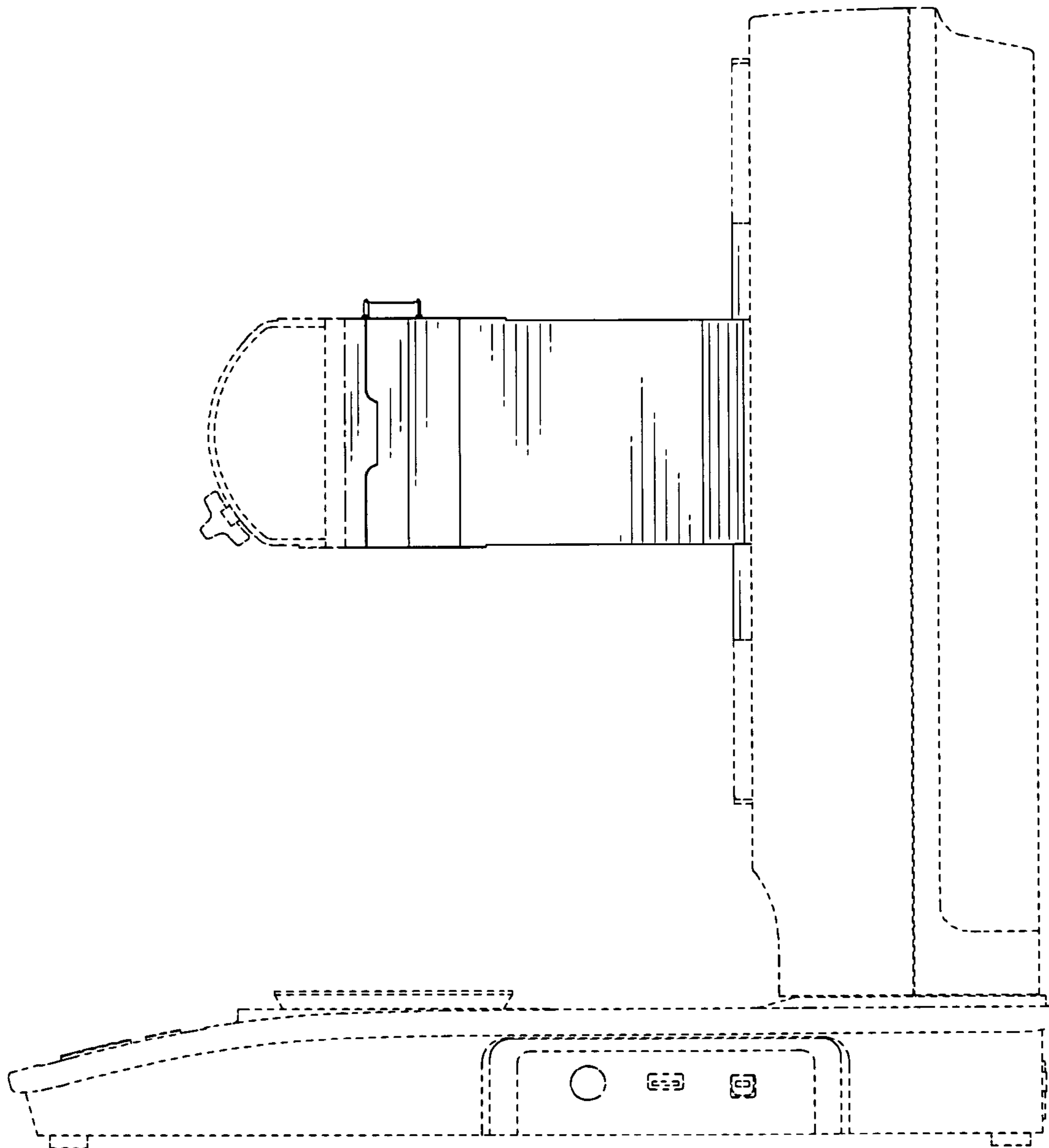


FIG. 7

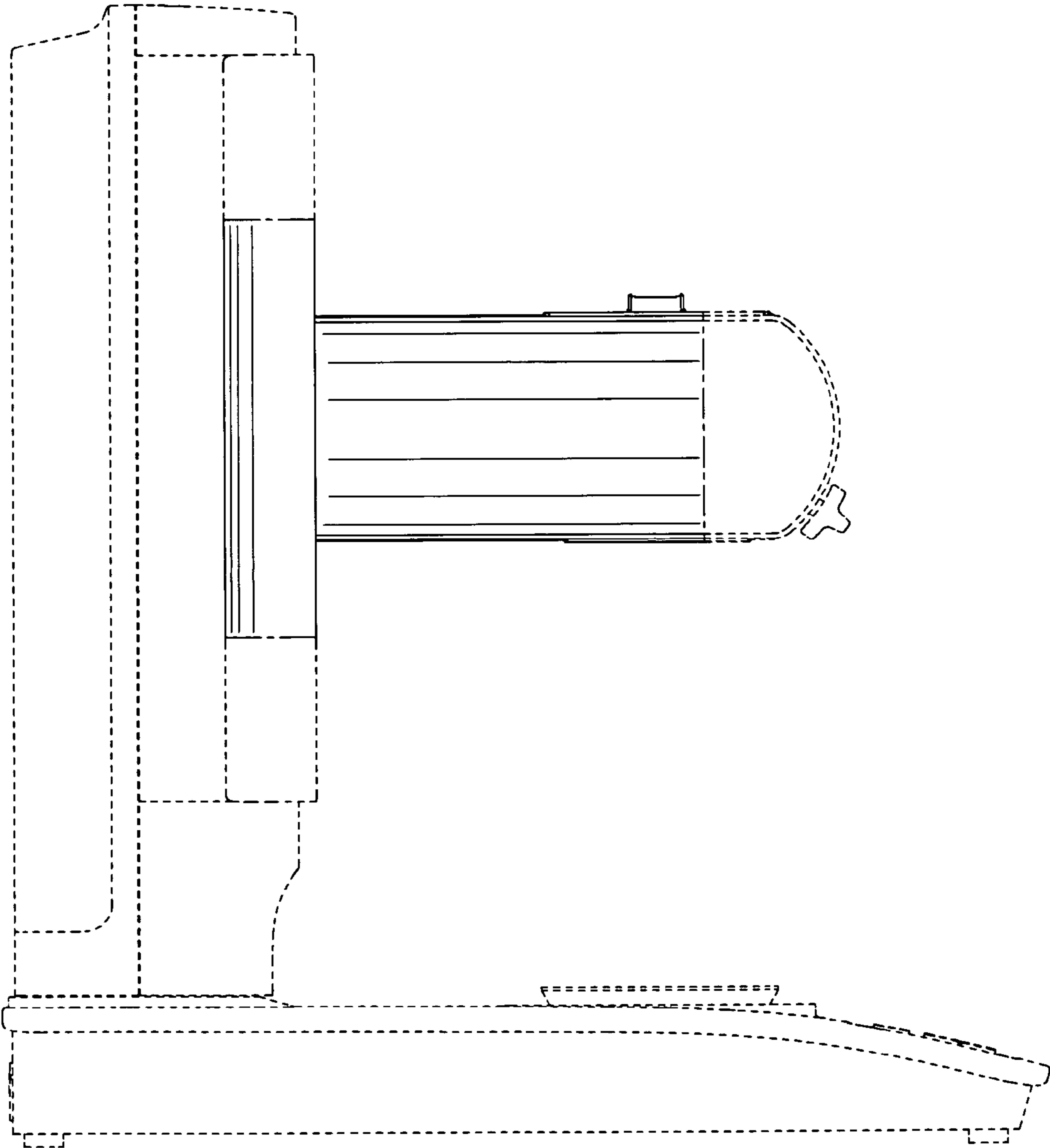


FIG. 8

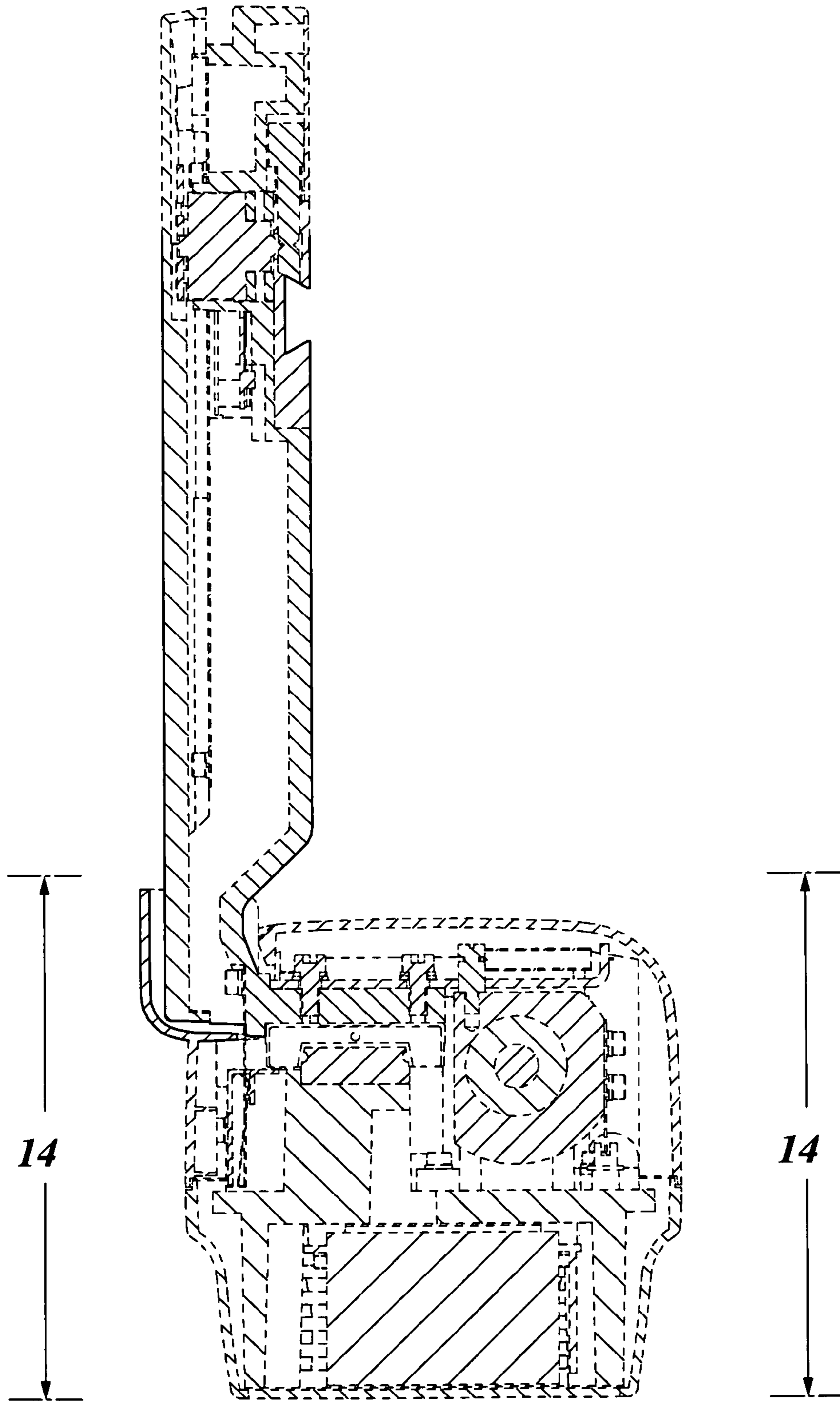


FIG. 9

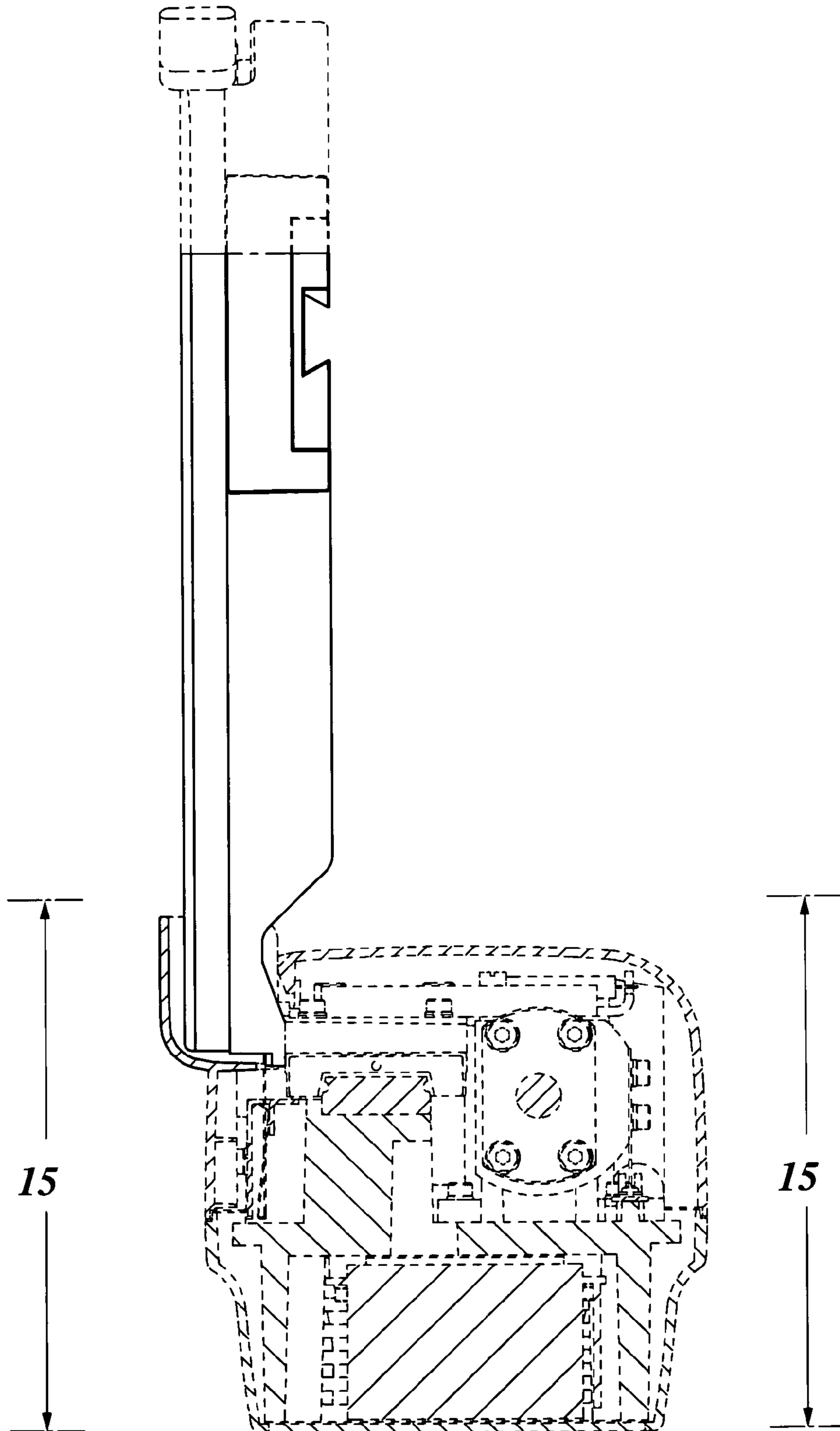


FIG. 10

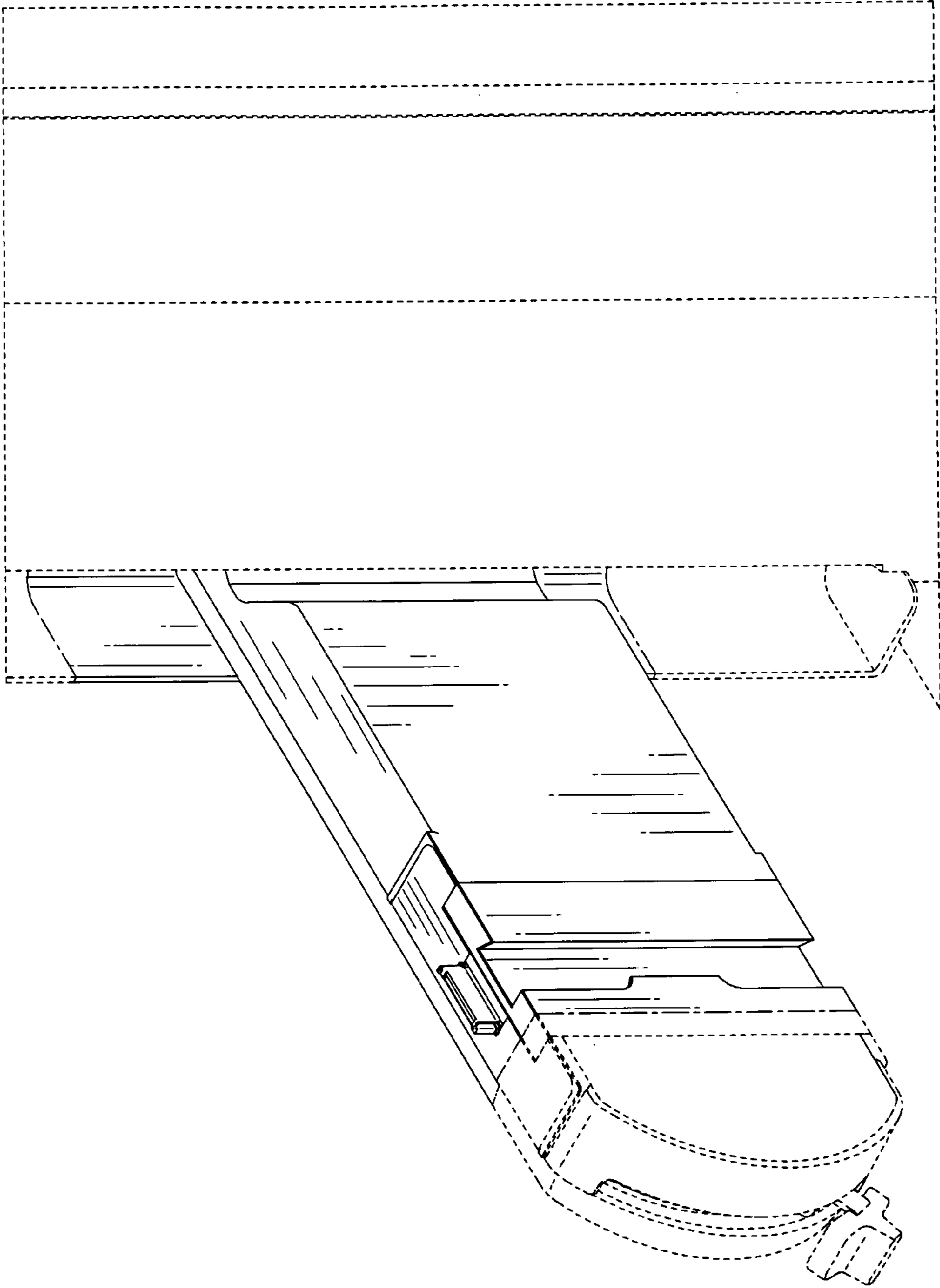


FIG. 11

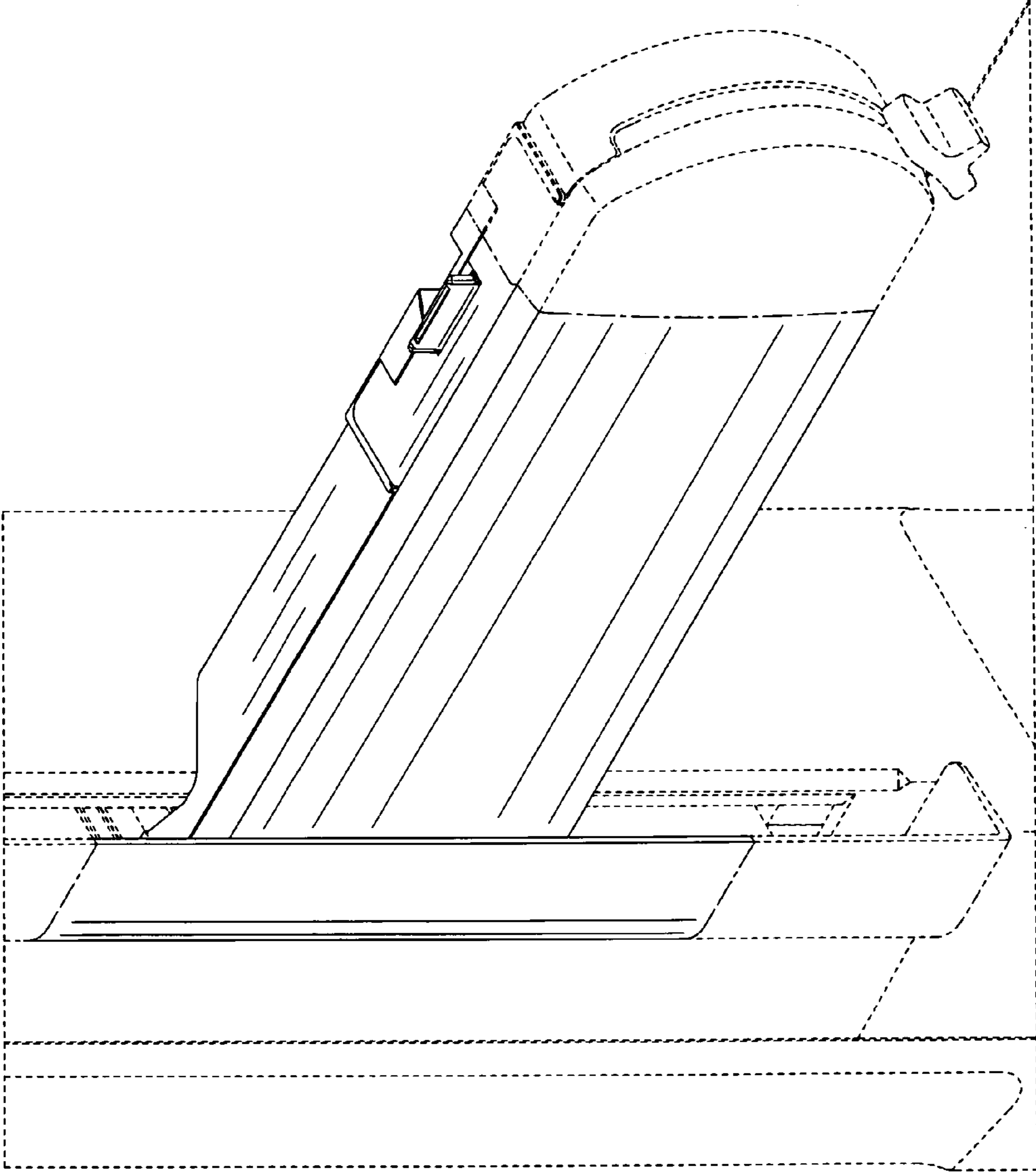


FIG. 12

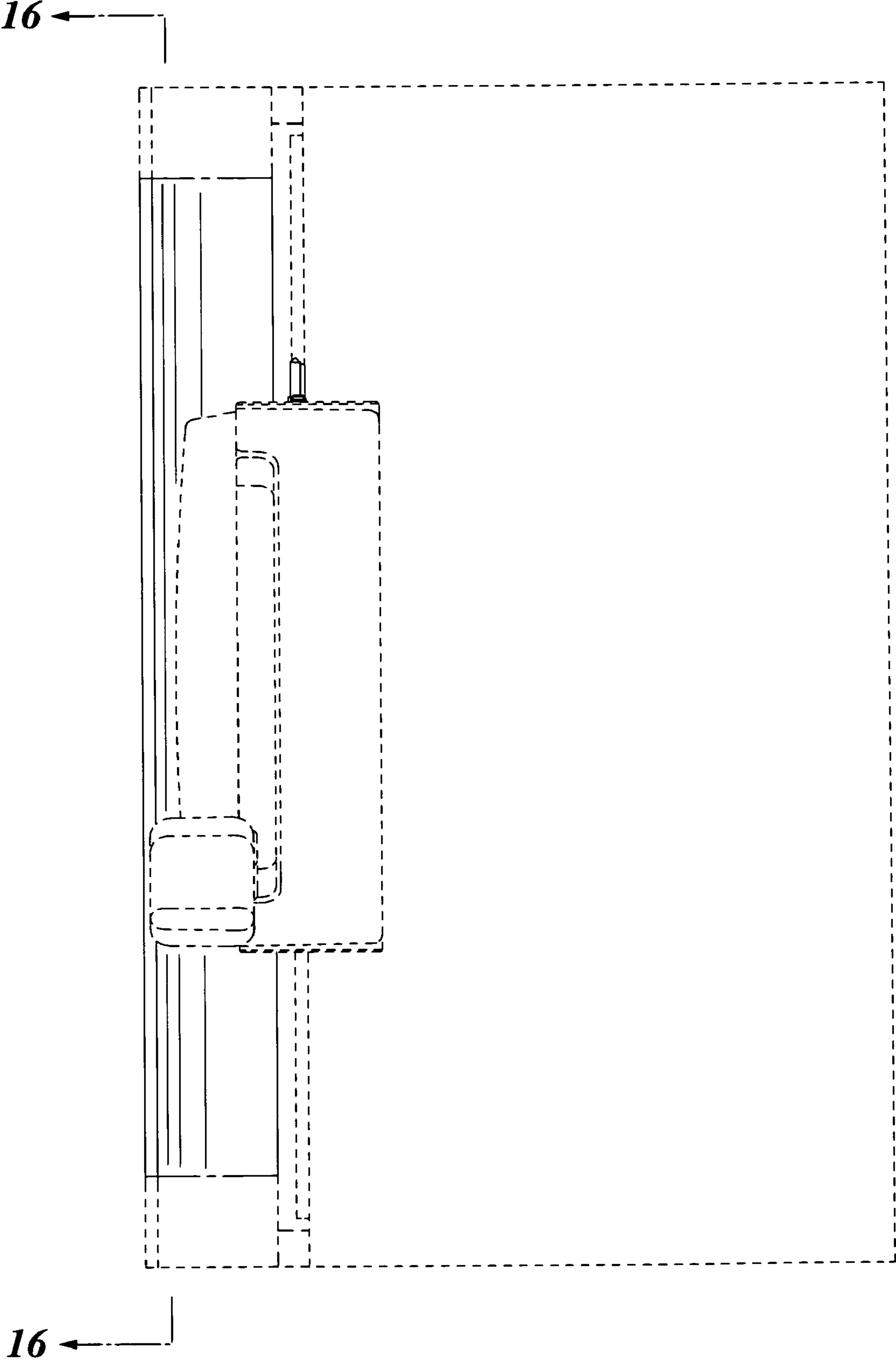


FIG. 13

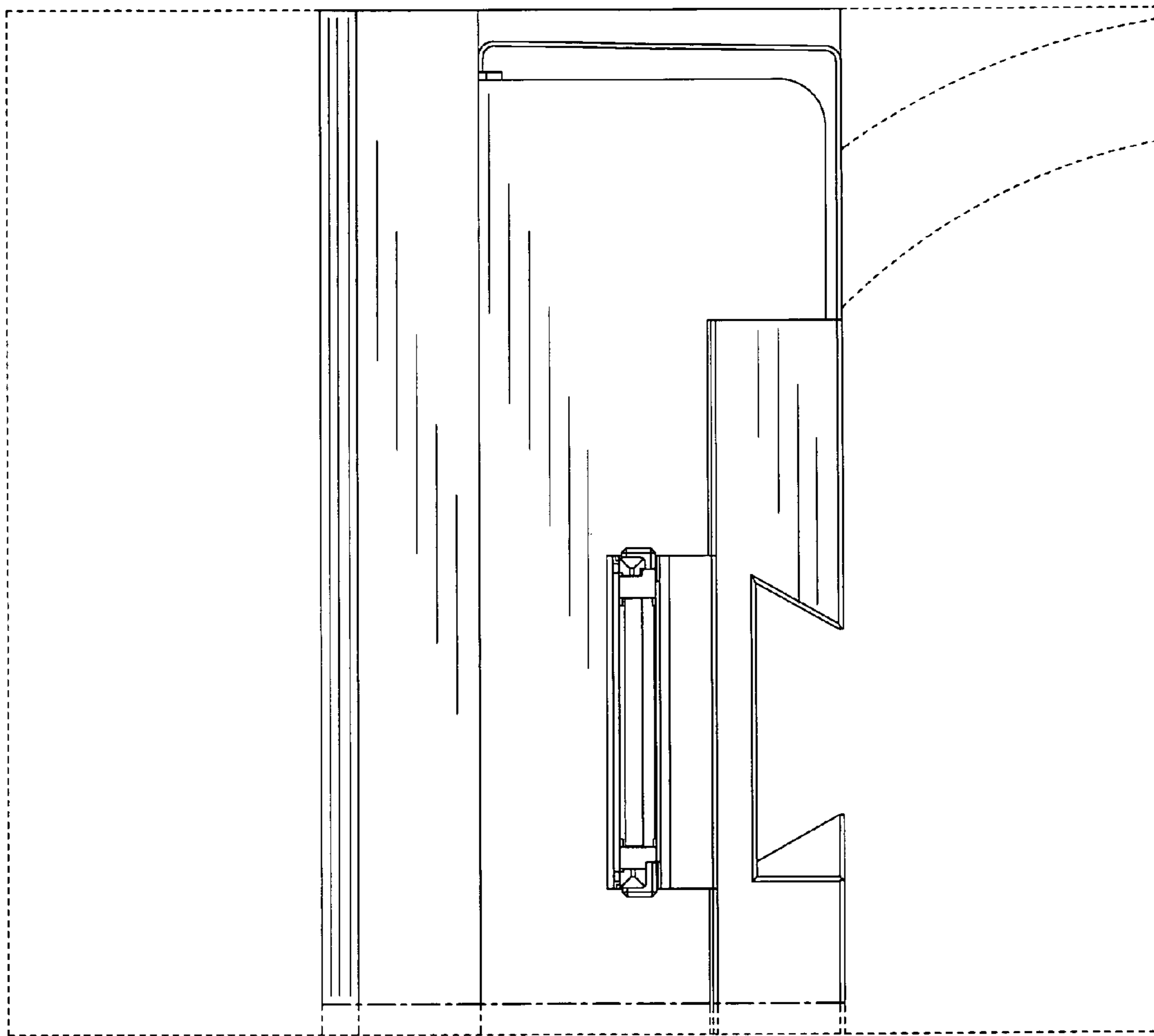


FIG. 14

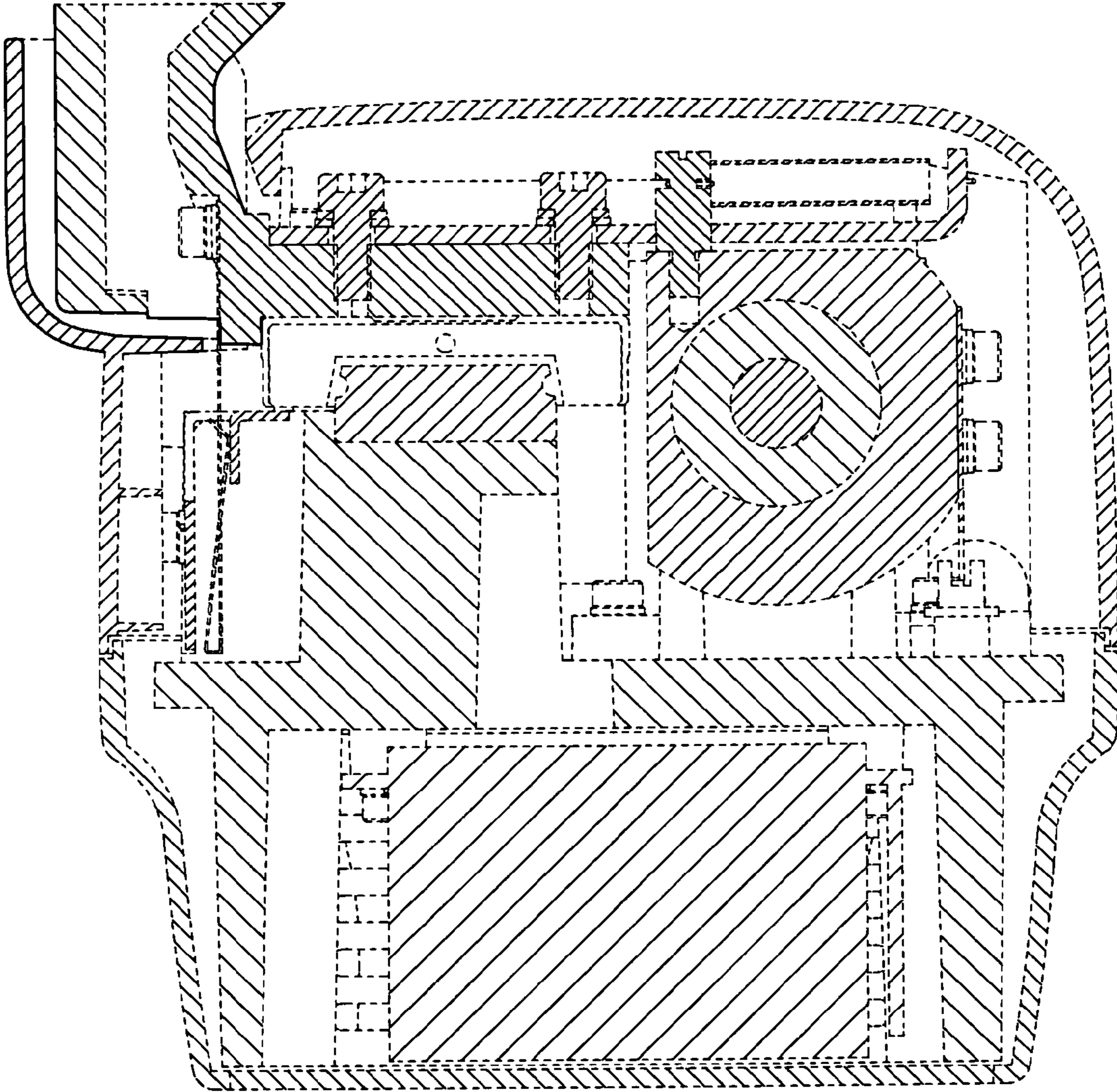


FIG. 15

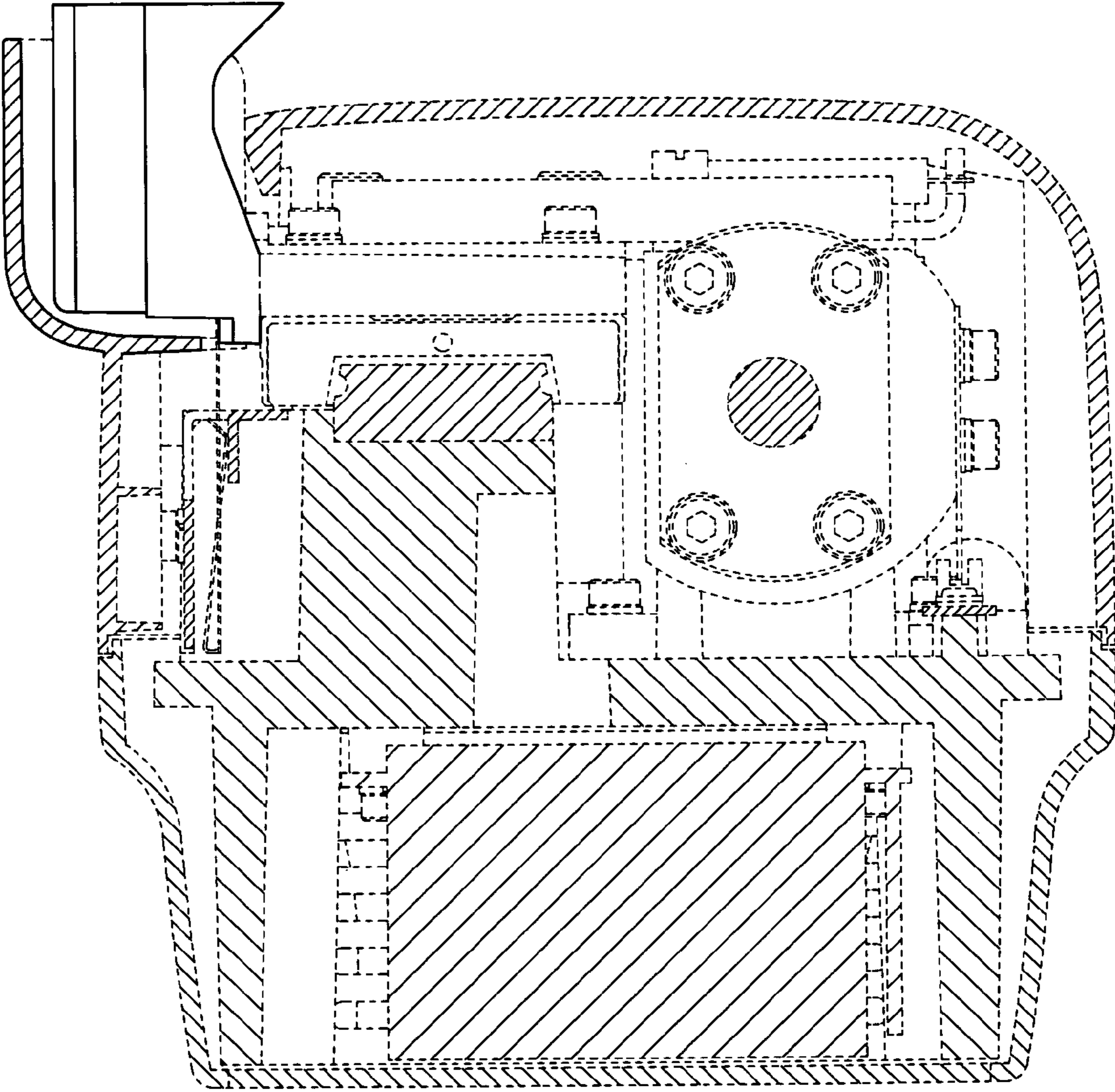


FIG. 16

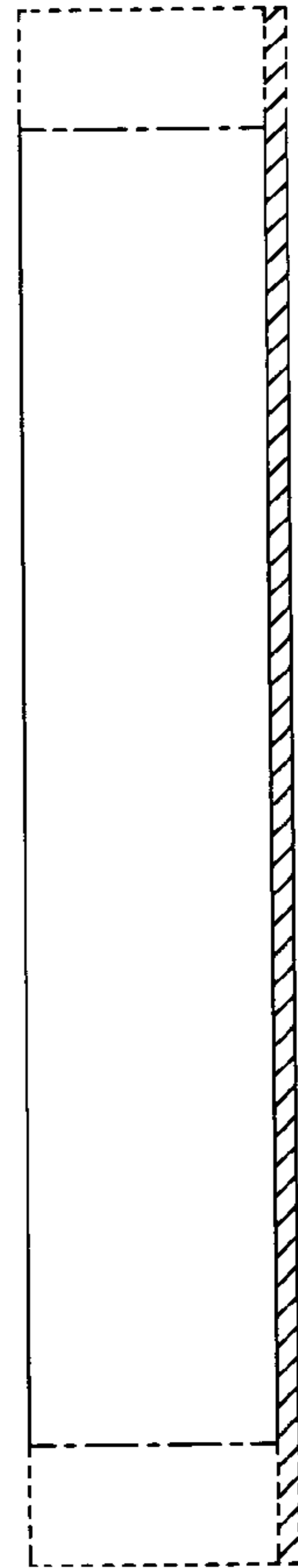


FIG. 17

