



US00D656974S

(12) **United States Design Patent**
Lyon et al.

(10) **Patent No.:** **US D656,974 S**
(45) **Date of Patent:** **** Apr. 3, 2012**

(54) **DRILL BIT**

(75) Inventors: **Leland H. Lyon**, Roanoke, VA (US);
Warren Thomas Lay, Catawba, VA (US)

(73) Assignee: **Center Rock Inc.**, Berlin, PA (US)

(**) Term: **14 Years**

(21) Appl. No.: **29/396,799**

(22) Filed: **Jul. 7, 2011**

Related U.S. Application Data

(63) Continuation-in-part of application No. 12/621,155, filed on Nov. 18, 2009, which is a continuation-in-part of application No. 12/361,263, filed on Jan. 28, 2009, and a continuation-in-part of application No. PCT/US09/38957, filed on Mar. 31, 2009.

(51) **LOC (9) Cl.** **15-09**

(52) **U.S. Cl.** **D15/139**

(58) **Field of Classification Search** D8/86;
D15/21, 131, 132, 138, 139, 140; 166/334.5;
173/17, 73, 91; 175/61, 65, 92, 296, 414-418,
175/420.2, 425, 426, 432-434
See application file for complete search history.

(56) **References Cited**

U.S. PATENT DOCUMENTS

1,815,660 A 7/1931 Walker
2,379,472 A 7/1945 Bowman
2,710,740 A 6/1955 Dempsey
3,893,521 A 7/1975 Bailey et al.
3,991,834 A 11/1976 Curington

4,050,525 A 9/1977 Kita
4,085,809 A * 4/1978 Lovell et al. 175/426
4,333,537 A 6/1982 Harris et al.
4,530,408 A 7/1985 Toutant
4,691,779 A 9/1987 McMahan et al.
4,765,418 A 8/1988 Ennis
4,819,739 A 4/1989 Fuller
4,878,550 A 11/1989 Chuang
(Continued)

FOREIGN PATENT DOCUMENTS

EP 1910640 B1 4/2008
(Continued)

OTHER PUBLICATIONS

Office Action issued Sep. 15, 2011 in AU Application No. 2009231791.

(Continued)

Primary Examiner — Patricia Palasik

(74) *Attorney, Agent, or Firm* — Kim Krizman LLC

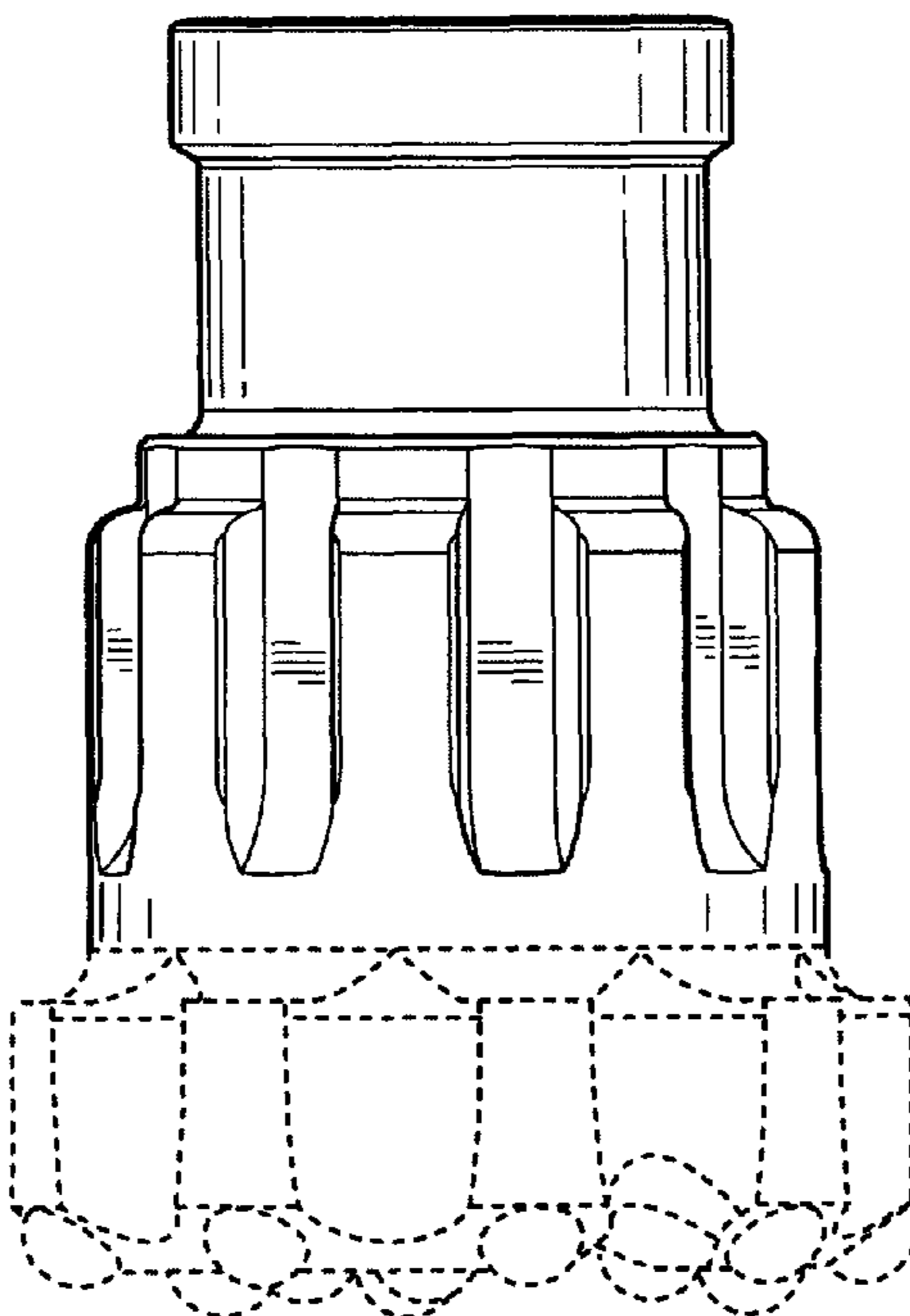
(57) **CLAIM**

The ornamental design for a drill bit, as shown and described.

DESCRIPTION

FIG. 1 is an elevation view of a right side of a drill bit in accordance with the new design;
FIG. 2 is an elevation view of a left side of the drill bit;
FIG. 3 is a top plan view of the drill bit;
FIG. 4 is a top perspective view of the drill bit; and,
FIG. 5 is a bottom perspective view of the drill bit.
The broken lines in FIGS. 1-5, illustrate portions of the drill bit which form no part of the claimed design.

1 Claim, 3 Drawing Sheets



US D656,974 S

Page 2

U.S. PATENT DOCUMENTS

4,919,221	A	4/1990	Pascale	
5,065,827	A	11/1991	Meyers et al.	
5,085,284	A	2/1992	Fu	
5,301,761	A	4/1994	Fu et al.	
5,305,837	A	4/1994	Johns et al.	
5,322,136	A	6/1994	Bui et al.	
5,322,139	A	6/1994	Rose et al.	
5,398,772	A	3/1995	Edlund	
5,794,516	A	8/1998	Wolfer et al.	
5,915,483	A	6/1999	Gien	
5,984,021	A	11/1999	Pascale	
RE36,848	E	9/2000	Bui et al.	
6,125,952	A	10/2000	Beccu et al.	
6,131,672	A	10/2000	Beccu et al.	
6,135,216	A	10/2000	Lyon et al.	
6,170,581	B1	1/2001	Lay	
6,237,704	B1	5/2001	Lay	
6,263,969	B1	7/2001	Stoesz et al.	
D454,143	S *	3/2002	Åsberg	D15/139
6,502,650	B1	1/2003	Beccu	
6,637,520	B1	10/2003	Purcell	
6,708,784	B1	3/2004	Borg	
7,017,682	B2	3/2006	Chan et al.	
7,117,939	B1	10/2006	Hawley et al.	
7,159,676	B2	1/2007	Lyon	
7,163,058	B2	1/2007	Bakke et al.	
7,198,120	B2	4/2007	Gien	
7,389,833	B2 *	6/2008	Walker et al.	175/415
7,467,675	B2	12/2008	Lay	
7,617,889	B2	11/2009	Beccu	
2003/0102167	A1	6/2003	Pascale et al.	
2004/0188146	A1	9/2004	Egerstrom	
2006/0225885	A1	10/2006	McGarian et al.	

2006/0249309	A1 *	11/2006	Cruz	175/57
2007/0039761	A1 *	2/2007	Cruz	175/415
2008/0087473	A1 *	4/2008	Hall et al.	175/414
2008/0156539	A1	7/2008	Ziegenfuss	
2010/0059284	A1 *	3/2010	Lyon et al.	175/296
2010/0089649	A1 *	4/2010	Welch et al.	175/61
2010/0243333	A1 *	9/2010	Purcell	175/414

FOREIGN PATENT DOCUMENTS

WO	2007010513	A1	1/2007
WO	2007077547	A1	7/2007
WO	2009124051	A2	10/2009

OTHER PUBLICATIONS

Int'l Preliminary Report on Patentability issued on Oct. 5, 2010 in Int'l Application No. PCT/US2009/038957.
 Int'l Search Report and Written Opinion Issued Mar. 19, 2010 in Int'l Application No. PCT/US2010/021011.
 Int'l Search Report and Written Opinion issued on May 26, 2009 in Int'l Application No. PCT/US2009/038957.
 Int'l Search Report issued May 31, 2011 in Int'l Application No. PCT/US2010/056917; Written Opinion.
 Office Action Issued Dec. 7, 2010 in U.S. Appl. No. 12/361,263.
 Office Action Issued Apr. 11, 2011 in U.S. Appl. No. 12/621,155.
 Office Action issued May 17, 2011 in U.S. Appl. No. 12/361,263.
 Office Action Issued Jun. 24, 2010 in U.S. Appl. No. 12/361,263.
 Written Opinion Issued Feb. 22, 2011 in Int'l Application No. PCT/US2010/021011, 4 pages.
 Office Action issued Jun. 30, 2011 in SE Application No. 1051069-1.
 Office Action issued Oct. 18, 2011 in U.S. Appl. No. 12/621,155.

* cited by examiner

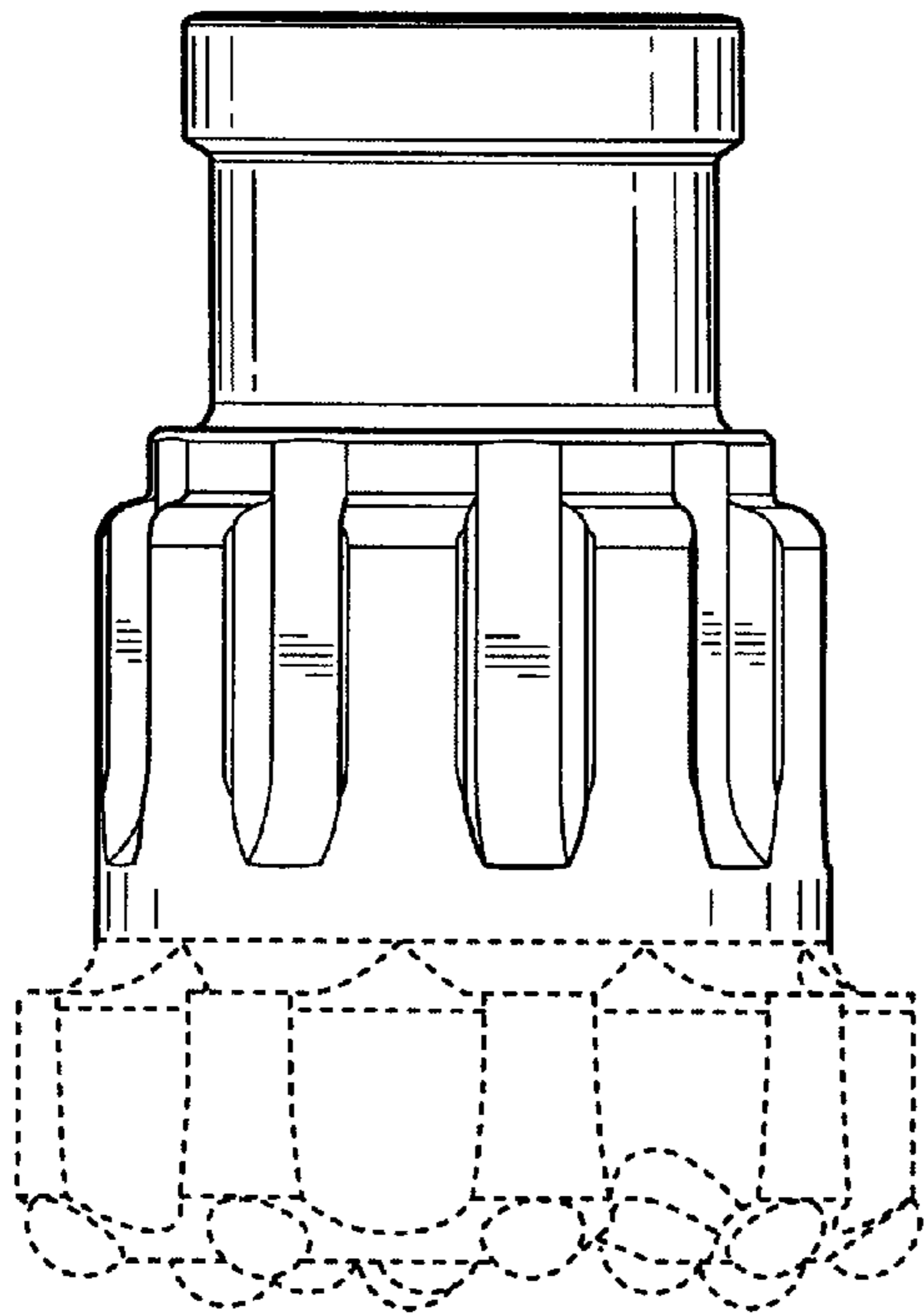


FIG. 1

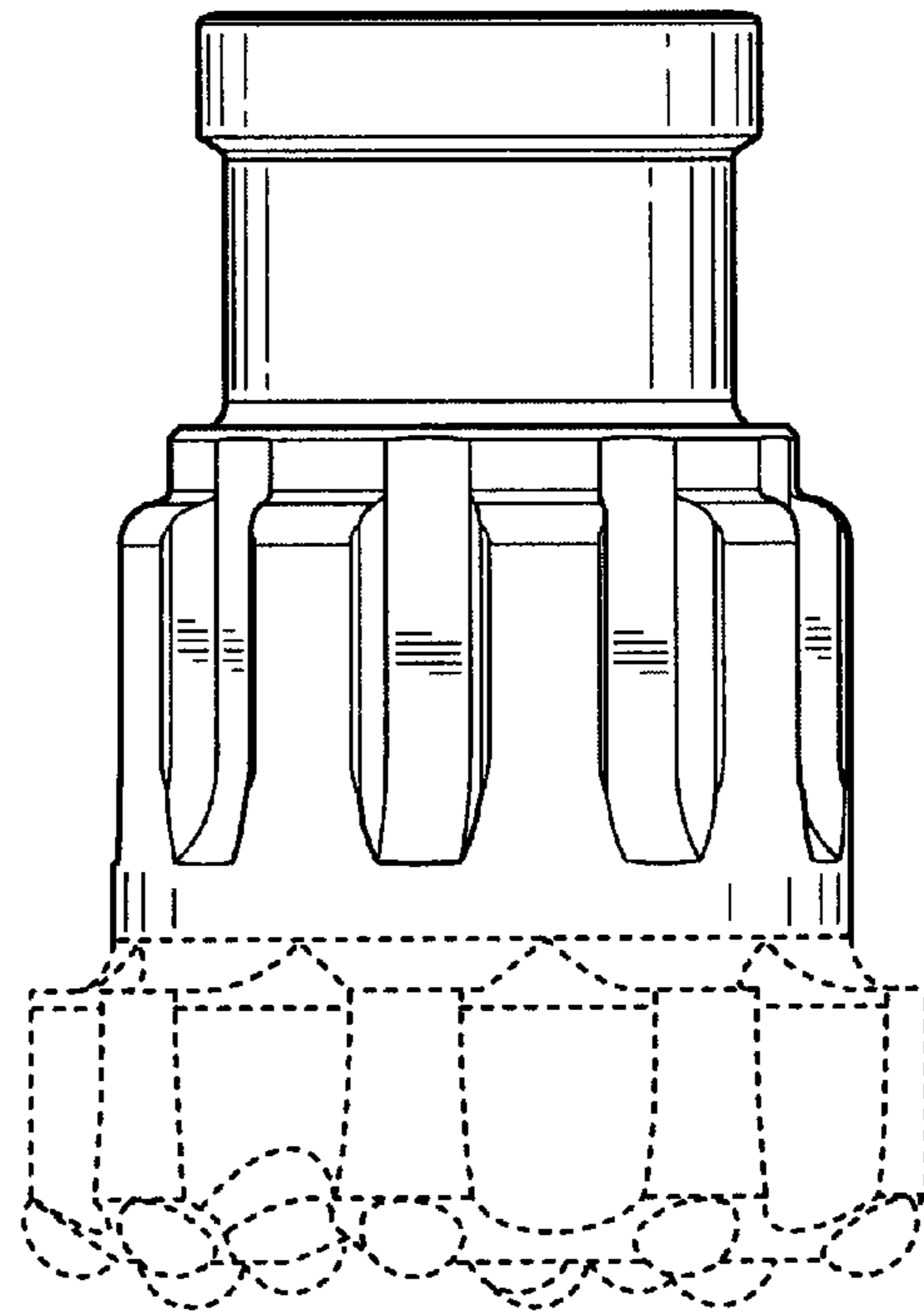


FIG. 2

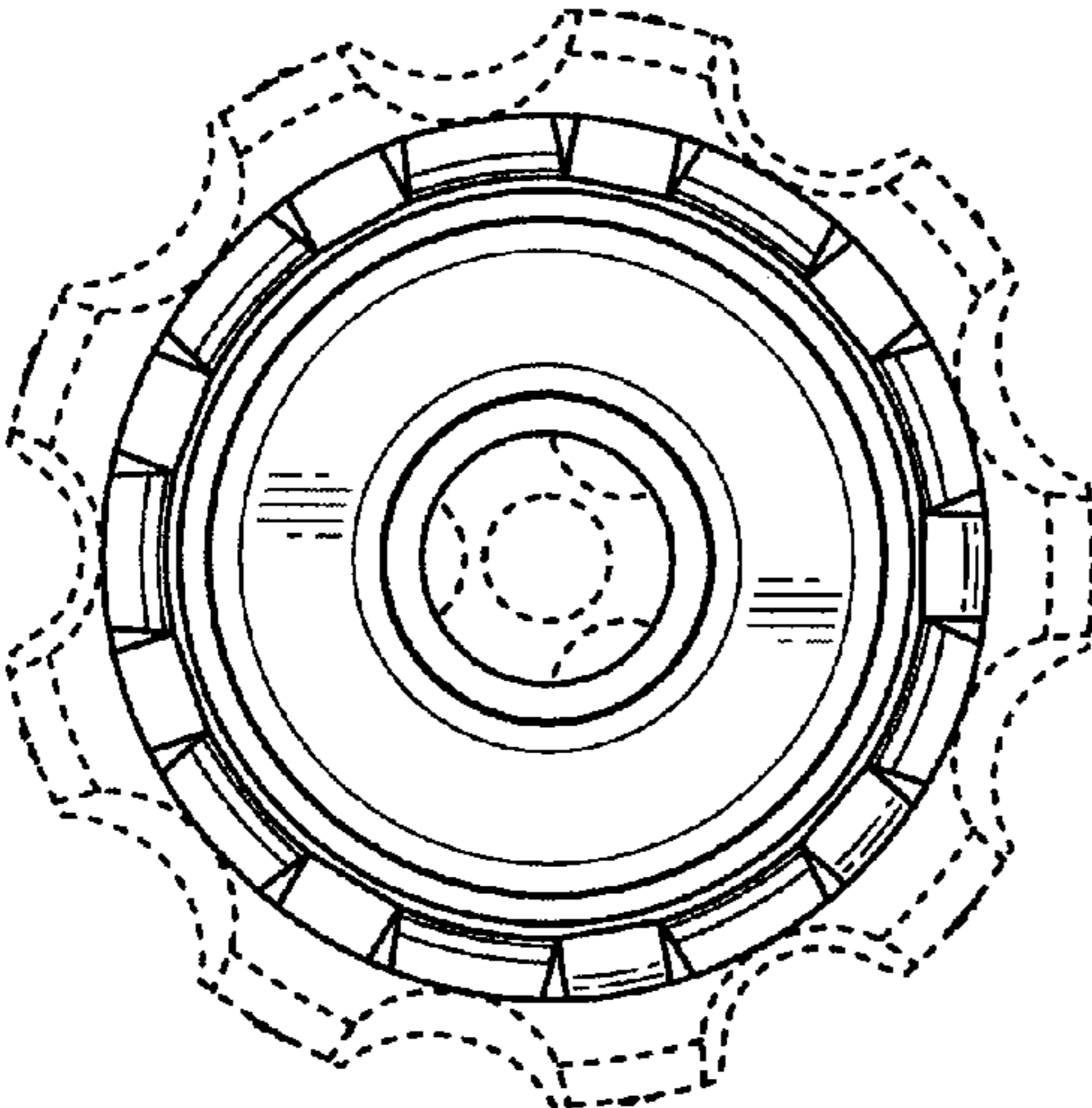


FIG. 3

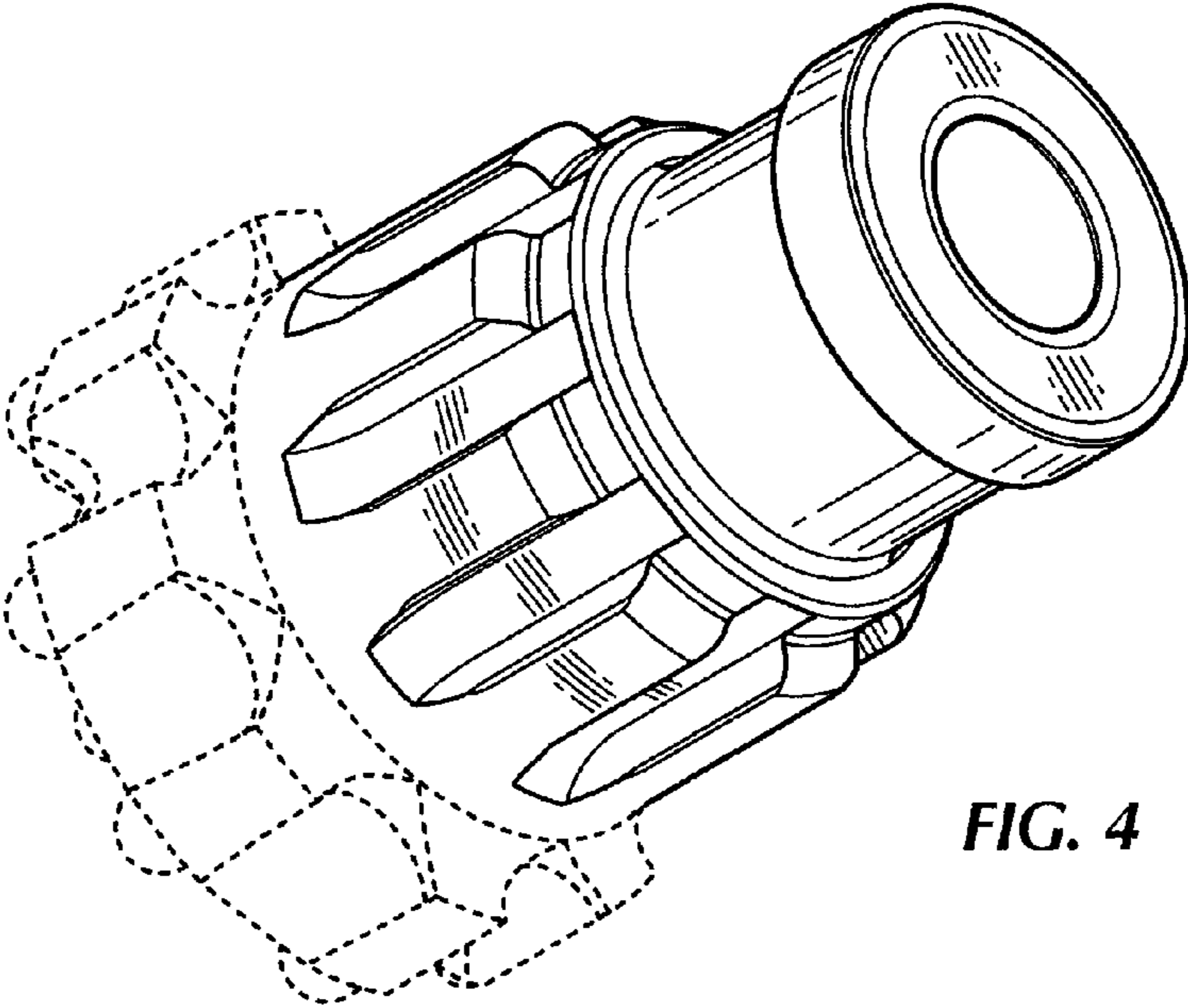


FIG. 4

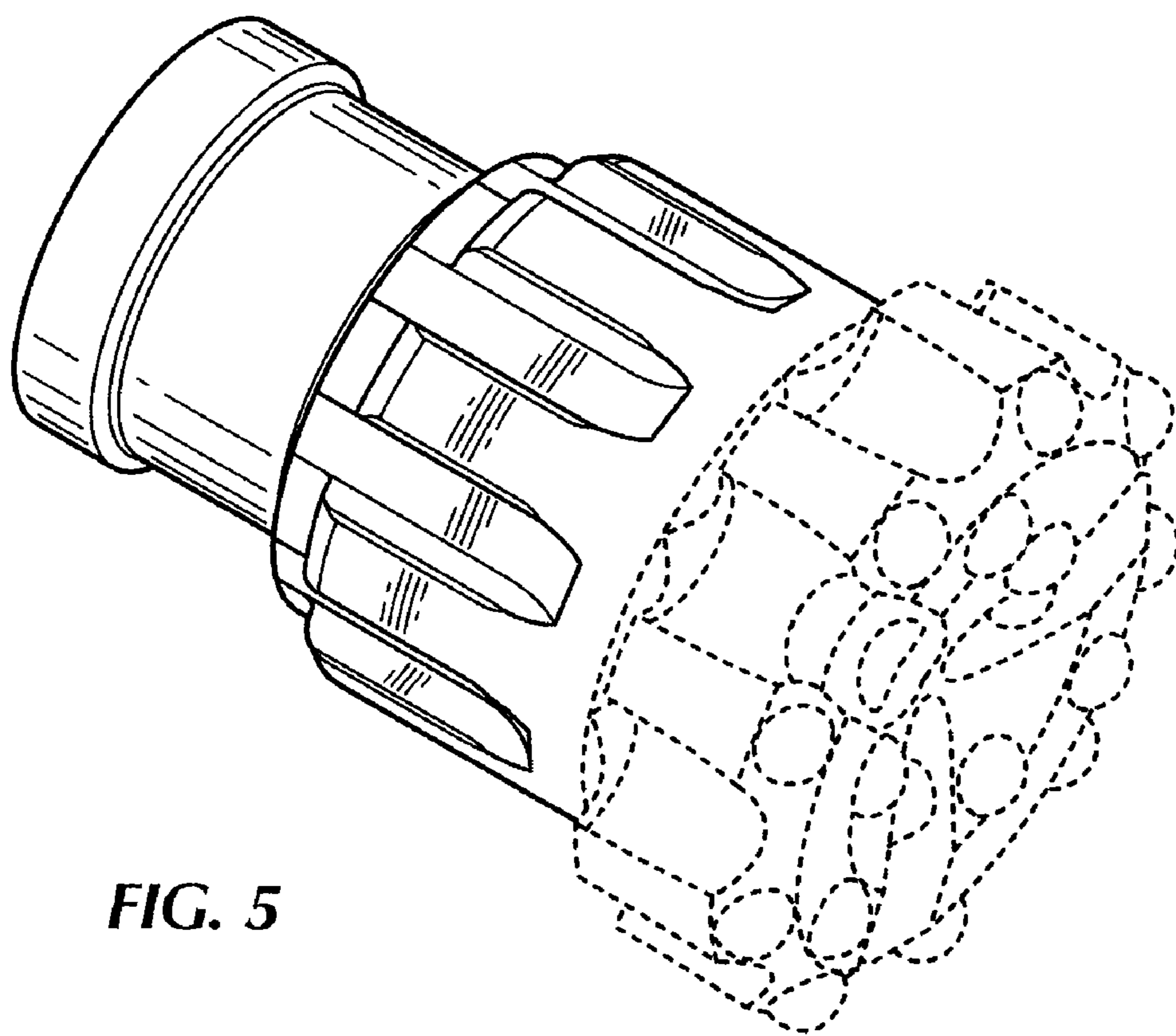


FIG. 5