



US00D656971S

(12) **United States Design Patent**
Young et al.

(10) **Patent No.:** **US D656,971 S**

(45) **Date of Patent:** **** Apr. 3, 2012**

(54) **WASTE COMPACTOR**

(75) Inventors: **Matthew Young**, Edinburgh (GB);
James Glencross, Edinburgh (GB);
Emma DeJong, Edinburgh (GB)

(73) Assignee: **Pryde Foundation**, Vaduz (LI)

(**) Term: **14 Years**

(21) Appl. No.: **29/399,997**

(22) Filed: **Aug. 22, 2011**

(30) **Foreign Application Priority Data**

Feb. 25, 2011 (EM) 001827122-0001

(51) **LOC (9) Cl.** **15-09**

(52) **U.S. Cl.** **D15/123**

(58) **Field of Classification Search** D6/436,
D6/446; D15/81, 82, 123; D23/356, 359;
72/445, 448, 465; 100/100, 102, 207, 208,
100/214, 268, 282, 292, 343, 349, 902

See application file for complete search history.

(56) **References Cited**

U.S. PATENT DOCUMENTS

D293,797 S * 1/1988 Parker D15/123
D294,149 S * 2/1988 Parker D15/123

4,781,111 A * 11/1988 Chesnut 100/99
D561,788 S * 2/2008 Fouquet D15/123
D614,212 S * 4/2010 Shino D15/123

* cited by examiner

Primary Examiner — Patricia Palasik

(74) *Attorney, Agent, or Firm* — Snell & Wilmer L.L.P.

(57) **CLAIM**

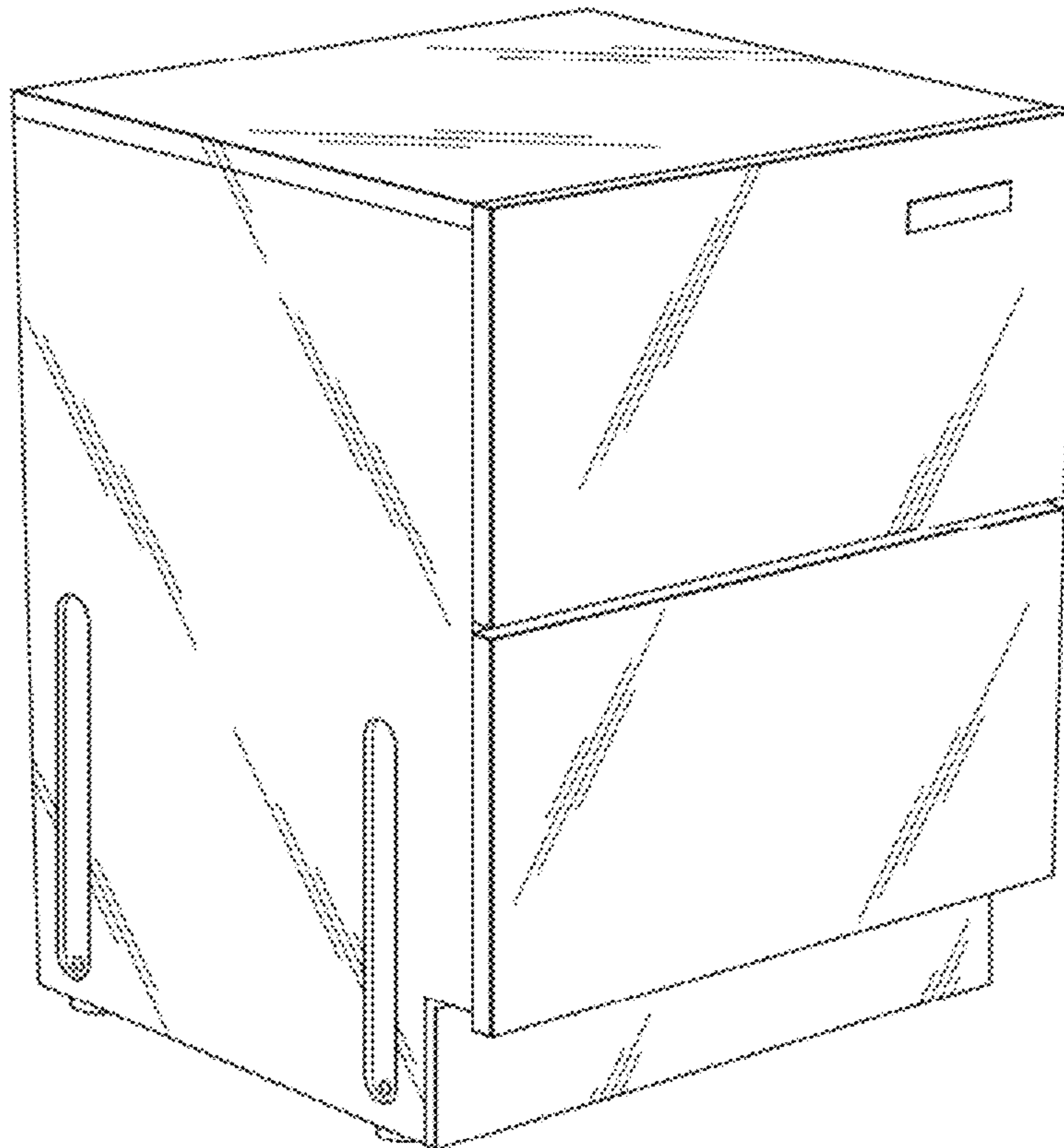
The ornamental design for a waste compactor, as shown and described.

DESCRIPTION

FIG. 1 is a right side perspective view of the waste compactor; FIG. 2 is a left perspective view of the waste compactor; FIG. 3 is a right side perspective view of the waste compactor with the bottom compartment open; FIG. 4 is a left side perspective view of the waste compactor with the bottom compartment open; FIG. 5 is a front view of the waste compactor with the top compartment open; FIG. 6 is a right side perspective view of the waste compactor with the top compartment open; and, FIG. 7 is a left side perspective view of the waste compactor with the top compartment open and showing a removable portion for clarity of disclosure.

The broken lines in the drawings depict unclaimed environmental subject matter.

1 Claim, 7 Drawing Sheets



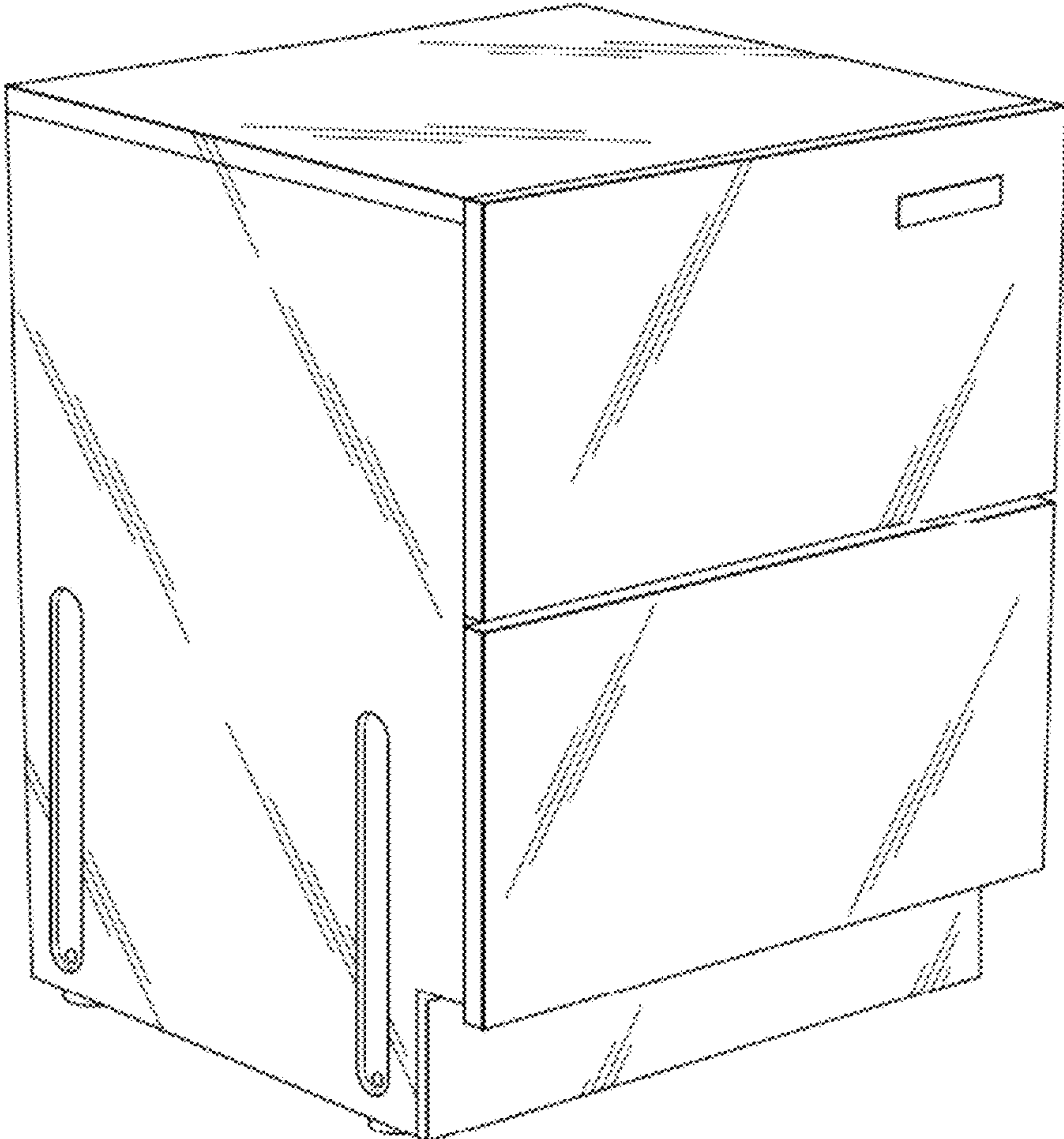


Fig. 1

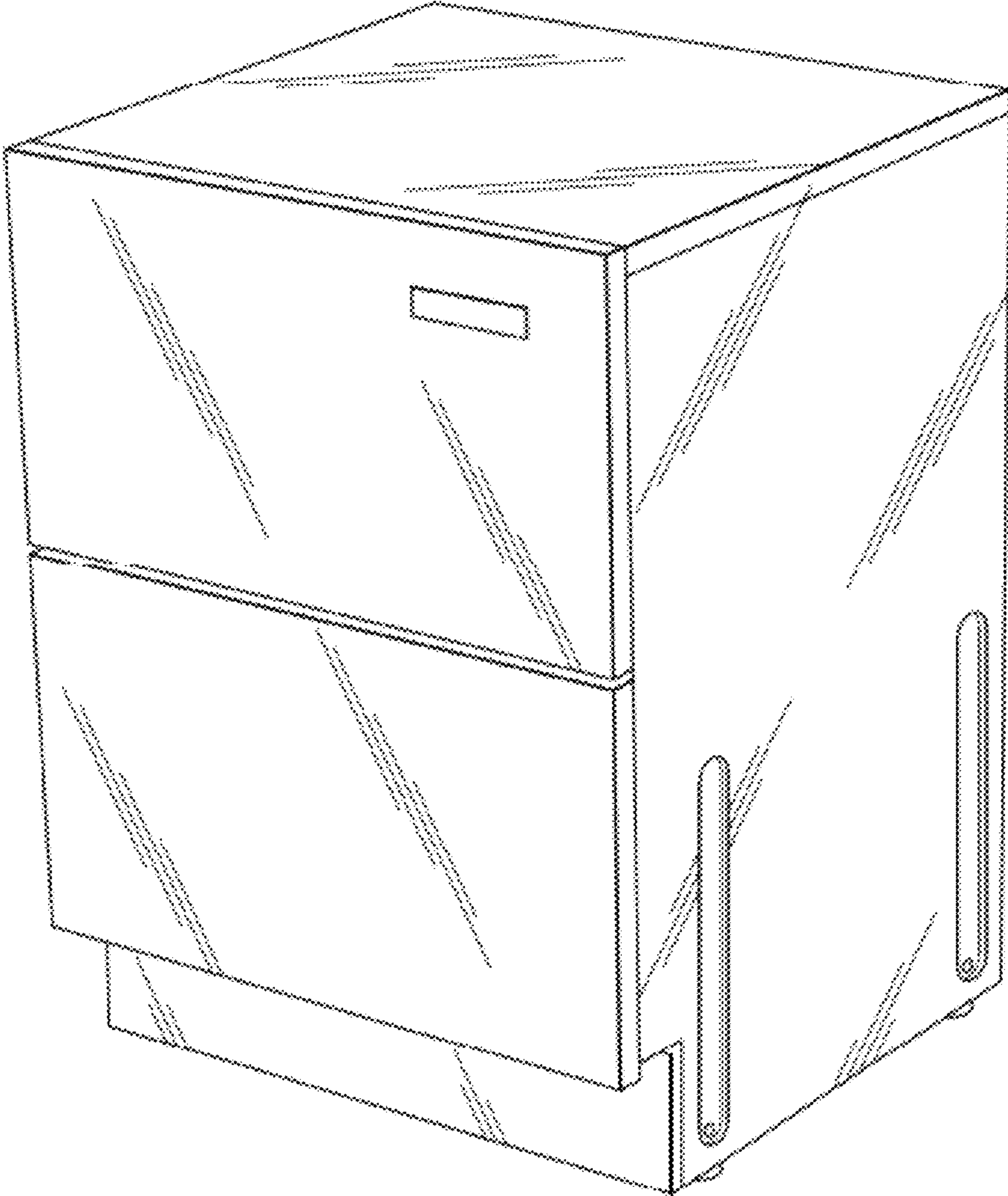


Fig.2

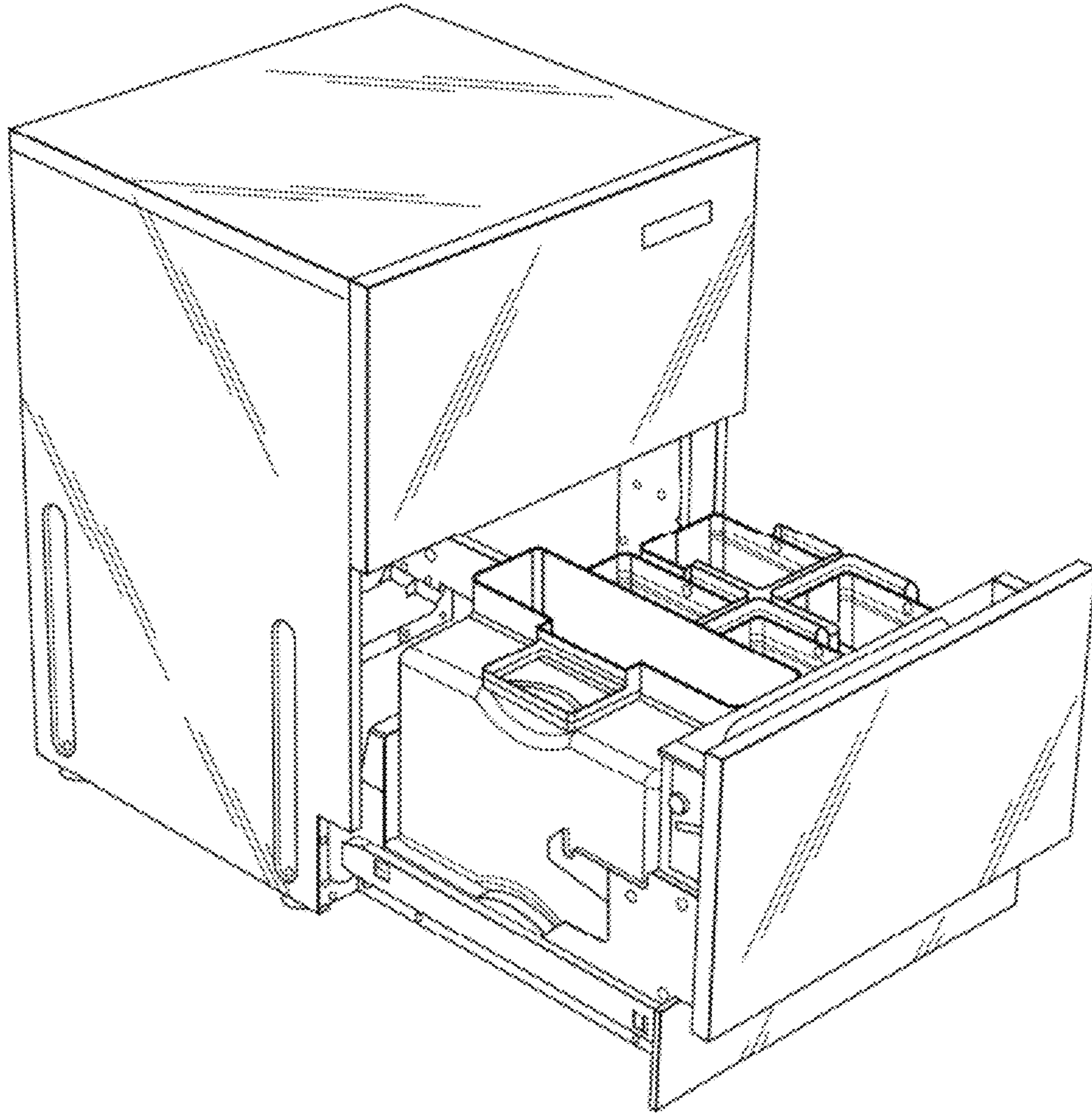


Fig.3

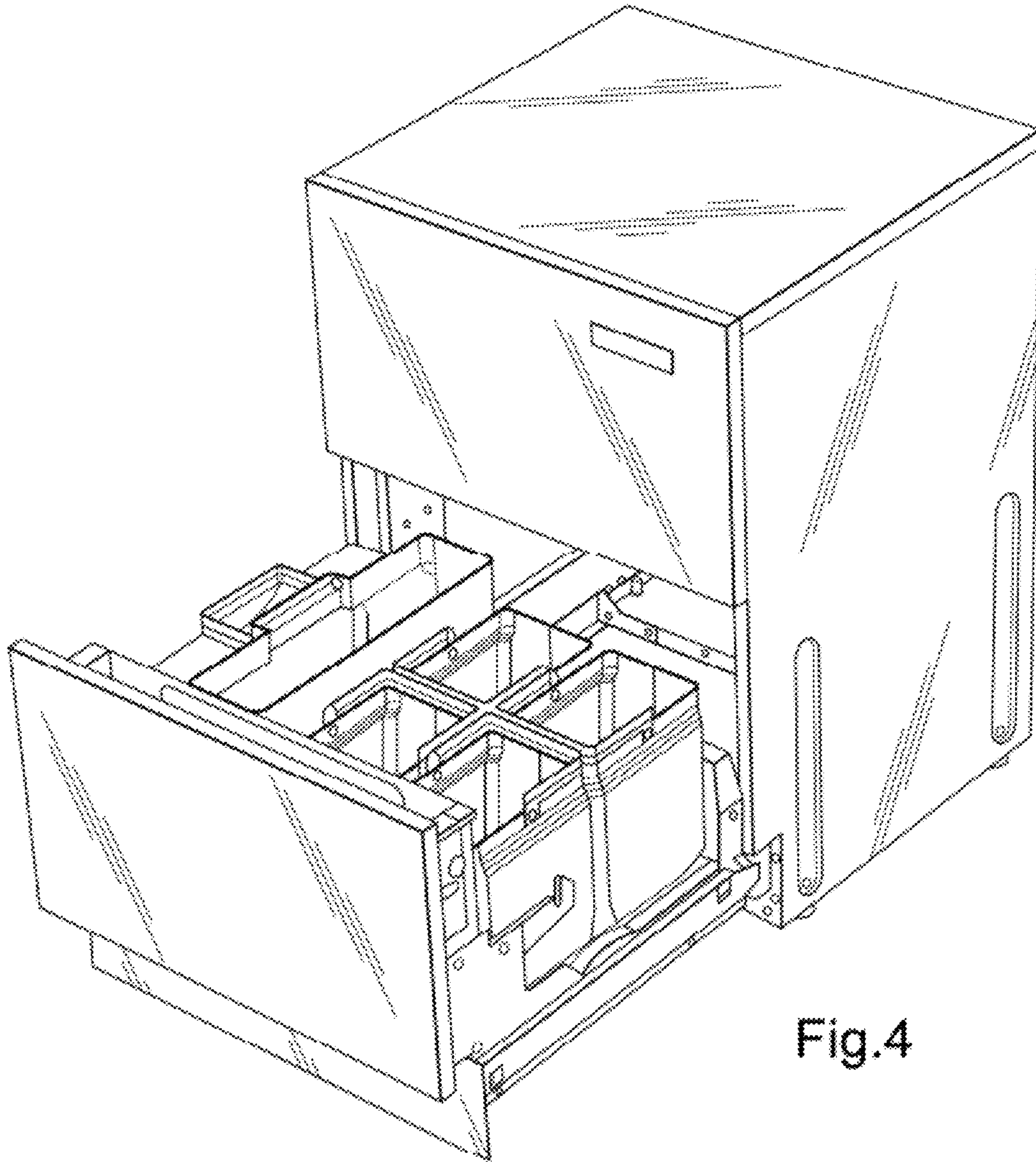


Fig.4

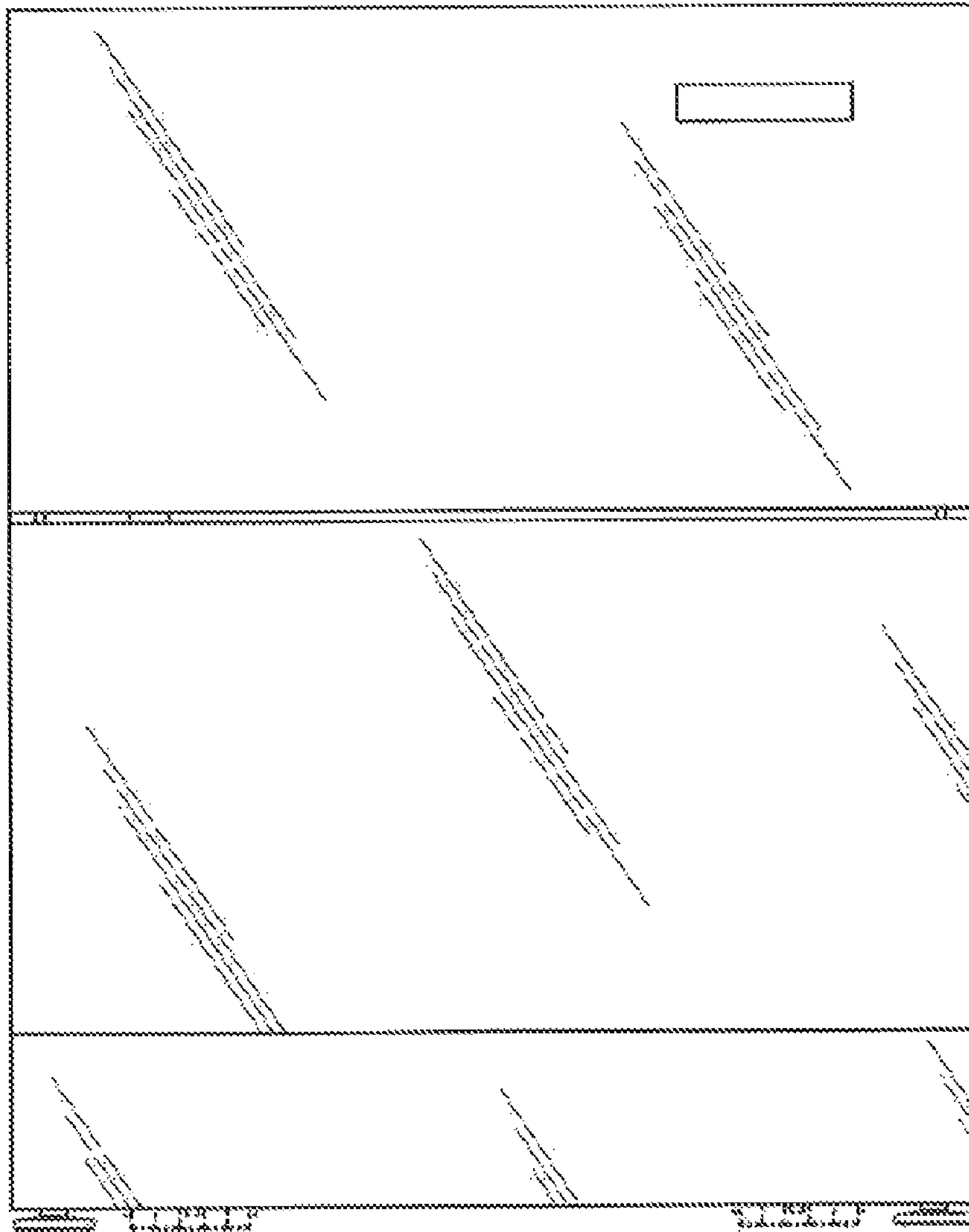


Fig.5

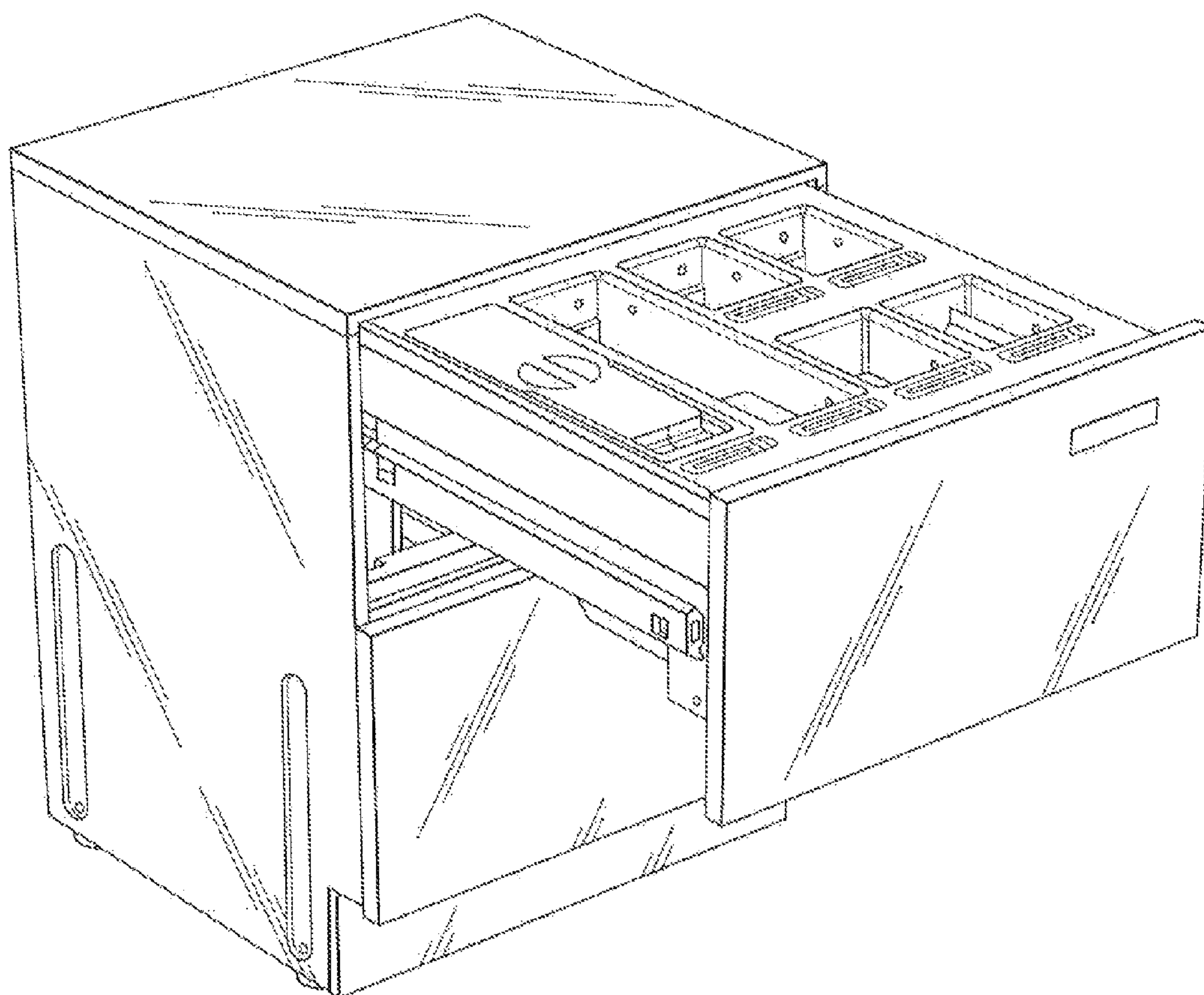


Fig.6

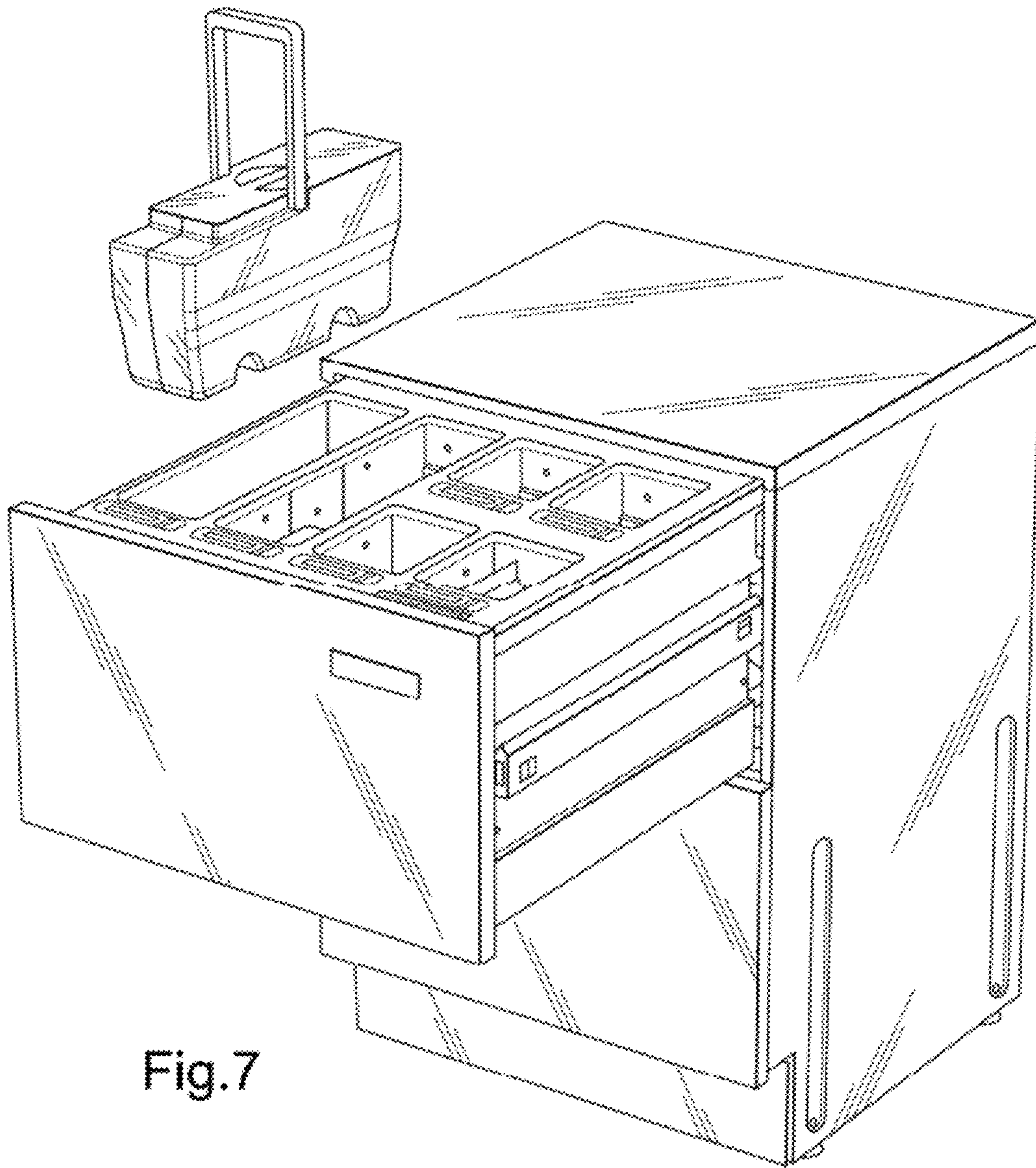


Fig.7