



US00D656970S

(12) **United States Design Patent**
Merritt

(10) **Patent No.:** **US D656,970 S**

(45) **Date of Patent:** **** Apr. 3, 2012**

(54) **HANDLE**

(75) Inventor: **John Merritt**, Brooklyn, NY (US)

(73) Assignee: **Bed Bath & Beyond Procurement Co. Inc.**, Farmingdale, NY (US)

(**) Term: **14 Years**

(21) Appl. No.: **29/401,658**

(22) Filed: **Sep. 14, 2011**

Related U.S. Application Data

(62) Division of application No. 29/375,568, filed on Sep. 24, 2010.

(51) **LOC (9) Cl.** **15-07**

(52) **U.S. Cl.** **D15/90**

(58) **Field of Classification Search** D15/89,
D15/90, 79-82; D7/357, 553.2, 553.3; 62/3.6-3.64,
62/245-255, 457, 459; 312/116, 236, 400-408;
206/521.1; 249/118-121, 126-130, 203
See application file for complete search history.

(56) **References Cited**

U.S. PATENT DOCUMENTS

1,868,503	A *	7/1932	Kennedy, Jr.	62/350
2,796,742	A *	6/1957	Platt	249/129
D202,529	S *	10/1965	Rosebrook	D15/90
D220,800	S *	5/1971	Krogh	D15/90
D245,008	S *	7/1977	LaLonde	D15/90
D245,985	S *	10/1977	Talbert	D15/90

4,148,457	A *	4/1979	Gurbin	249/130
D415,505	S *	10/1999	Myers	D15/90
D444,480	S *	7/2001	Shultz et al.	D15/90
D451,676	S *	12/2001	Dembicks	D3/313
D480,736	S *	10/2003	Wright	D15/90
D482,374	S *	11/2003	Fan	D15/90
D496,374	S *	9/2004	Zimmerman	D15/90
D513,019	S *	12/2005	Lion et al.	D15/90
D636,412	S *	4/2011	Misse	D15/90

* cited by examiner

Primary Examiner — Mitchell Siegel

(74) *Attorney, Agent, or Firm* — Lerner, David, Littenberg, Krumholz & Mentlik, LLP

(57) **CLAIM**

The ornamental design for a handle, as shown and described.

DESCRIPTION

FIG. 1 is a perspective view of a handle showing my new design;

FIG. 2 is a front elevational view of the handle, the rear elevational view being a mirror image thereof;

FIG. 3 is a right side elevational view of the handle, the left side elevational view being a mirror image thereof;

FIG. 4 is a top plan view of the handle; and,

FIG. 5 is a bottom plan view of the handle.

The handle is shown broken away and embraced by a bracket in the FIGS. 1, 2, 4 and 5 views in order to indicate that the length of the handle is indefinite and that the claim is not directed to a specific length. The brackets depicted form no part of the claimed design.

1 Claim, 4 Drawing Sheets

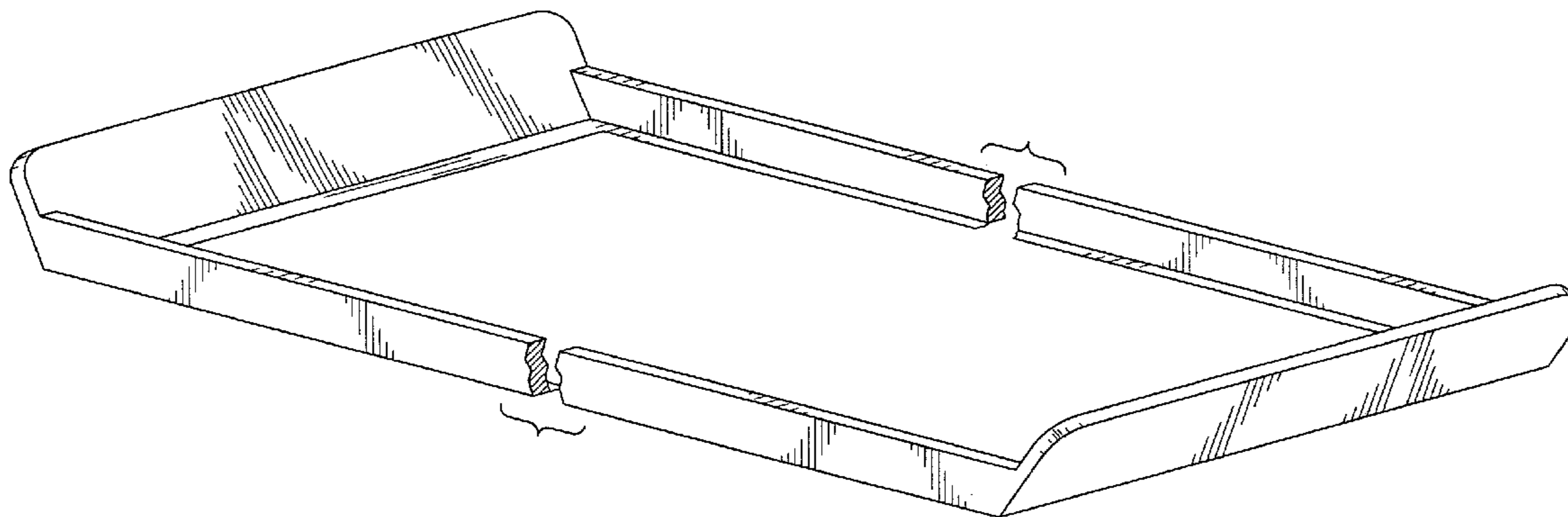


FIG. 1

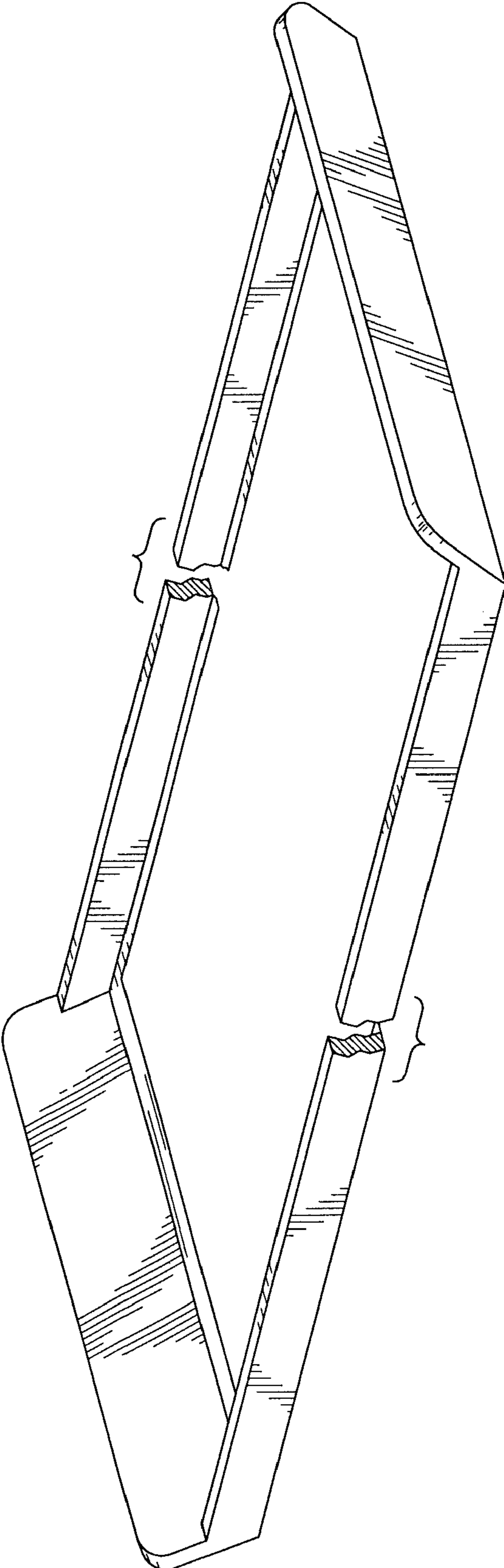


FIG. 2

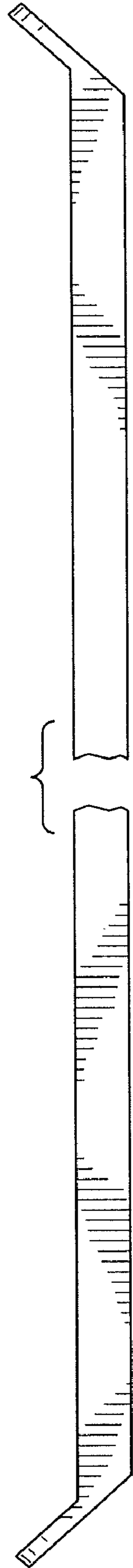


FIG. 3

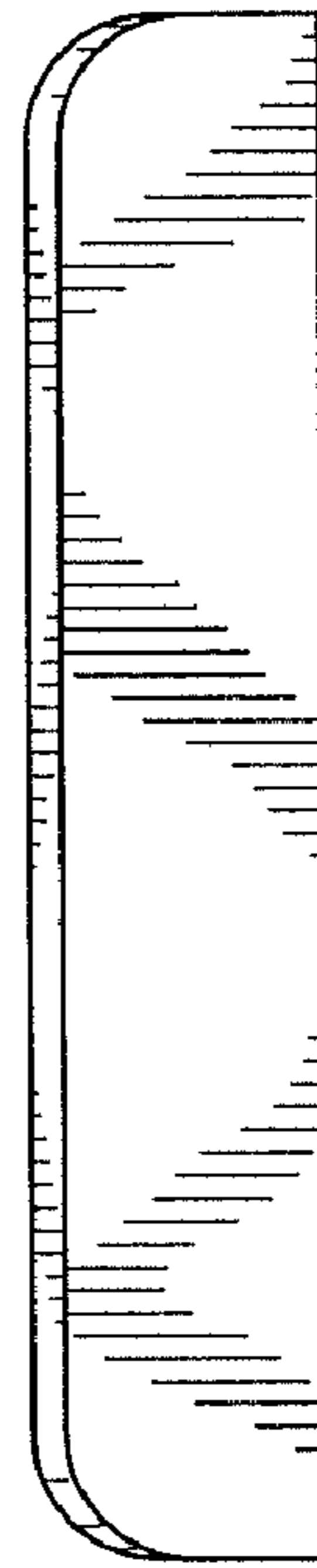


FIG. 4

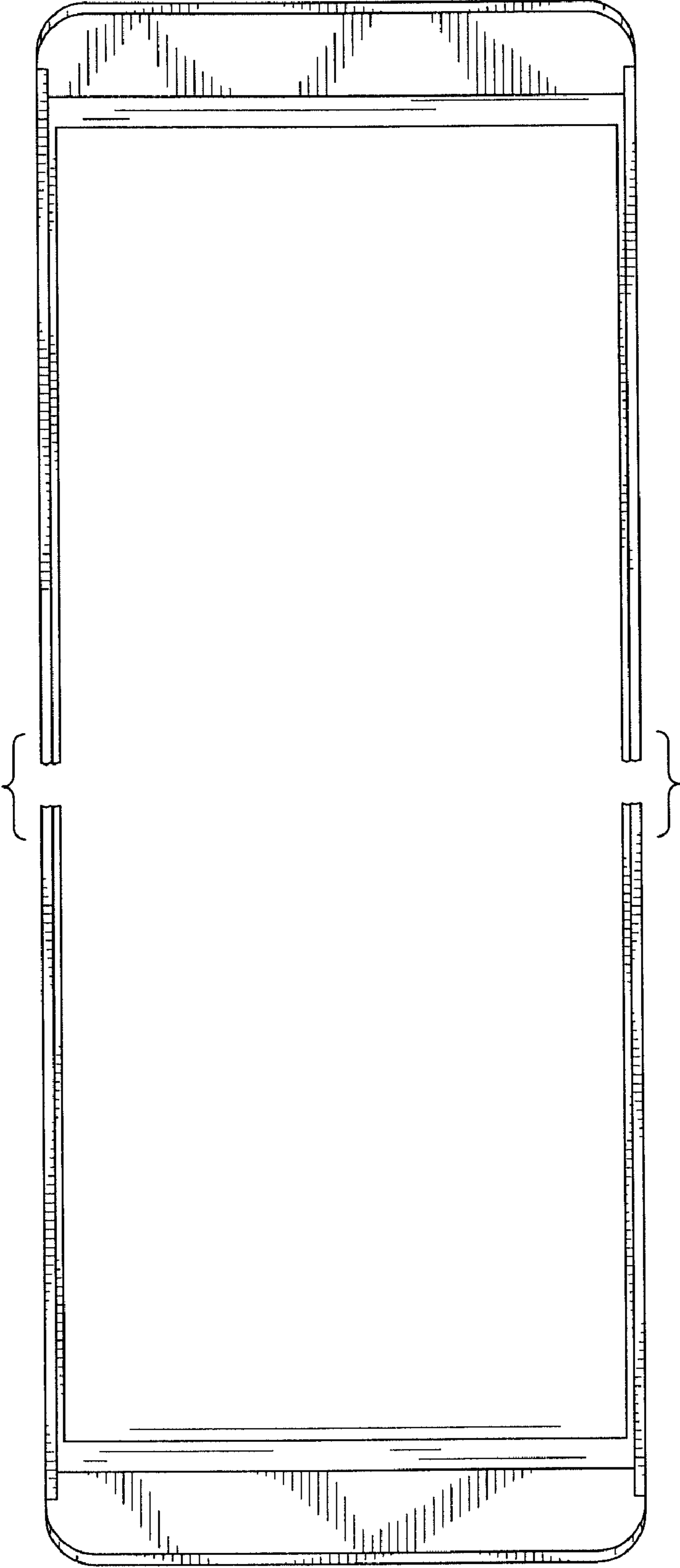


FIG. 5

