



US00D656968S

(12) **United States Design Patent**
Hwang et al.

(10) **Patent No.:** **US D656,968 S**

(45) **Date of Patent:** **** Apr. 3, 2012**

(54) **REFRIGERATOR**

(75) Inventors: **Jungyeon Hwang**, Seoul (KR); **Minsup Kim**, Gyeonggi-do (KR); **Jinwon Kang**, Gyeonggi-do (KR); **Junyi Heo**, Seoul (KR); **Myungdong You**, Incheon (KR)

(73) Assignee: **LG Electronics Inc.**, Seoul (KR)

(**) Term: **14 Years**

(21) Appl. No.: **29/391,007**

(22) Filed: **May 2, 2011**

(30) **Foreign Application Priority Data**

Dec. 3, 2010 (KR) 30-2010-0052430

(51) **LOC (9) Cl.** **15-07**

(52) **U.S. Cl.** **D15/86**

(58) **Field of Classification Search** D15/79,
D15/81, 85-88, 91; 62/3.6, 246-255, 293,
62/331, 371, 440, 467, 529, 531, 337; 312/400-409,
312/352, 116

See application file for complete search history.

(56) **References Cited**

U.S. PATENT DOCUMENTS

1,961,022	A *	5/1934	Teller et al.	312/329
2,926,507	A *	3/1960	Ingolia	62/377
D452,255	S *	12/2001	Chai et al.	D15/85
D508,059	S *	8/2005	Seok et al.	D15/86
D508,249	S *	8/2005	Seok et al.	D15/86
D508,925	S *	8/2005	Seok et al.	D15/86
D508,926	S *	8/2005	Seok et al.	D15/86
D522,540	S *	6/2006	Cho et al.	D15/86

D540,832	S *	4/2007	Wang et al.	D15/86
D578,555	S *	10/2008	Yeo et al.	D15/85
D594,886	S *	6/2009	Wang et al.	D15/86
D614,208	S *	4/2010	Seo et al.	D15/86
D614,209	S *	4/2010	Kristiansen et al.	D15/86
D615,109	S *	5/2010	Yang et al.	D15/86
D616,000	S *	5/2010	Yang et al.	D15/86
D616,001	S *	5/2010	Yang et al.	D15/86
D625,342	S *	10/2010	Seo et al.	D15/85
D633,114	S *	2/2011	Seo et al.	D15/86

* cited by examiner

Primary Examiner — Mitchell Siegel

(74) *Attorney, Agent, or Firm* — Birch, Stewart, Kolasch & Birch, LLP

(57) **CLAIM**

The ornamental design for a refrigerator, as shown and described.

DESCRIPTION

FIG. 1 is a perspective view of a refrigerator showing our new design;

FIG. 2 is a front view thereof;

FIG. 3 is a rear view thereof;

FIG. 4 is a left side view thereof;

FIG. 5 is a right side view thereof;

FIG. 6 is a top plan view thereof;

FIG. 7 is a bottom plan view thereof; and,

FIG. 8 is a perspective view thereof in a condition that the first and second drawers have been closed and the guide walls, which have been consisted of transparent material, have been vertically installed in the third drawer.

The broken lines are for illustrative purposes only and form no part of the claimed design.

1 Claim, 8 Drawing Sheets

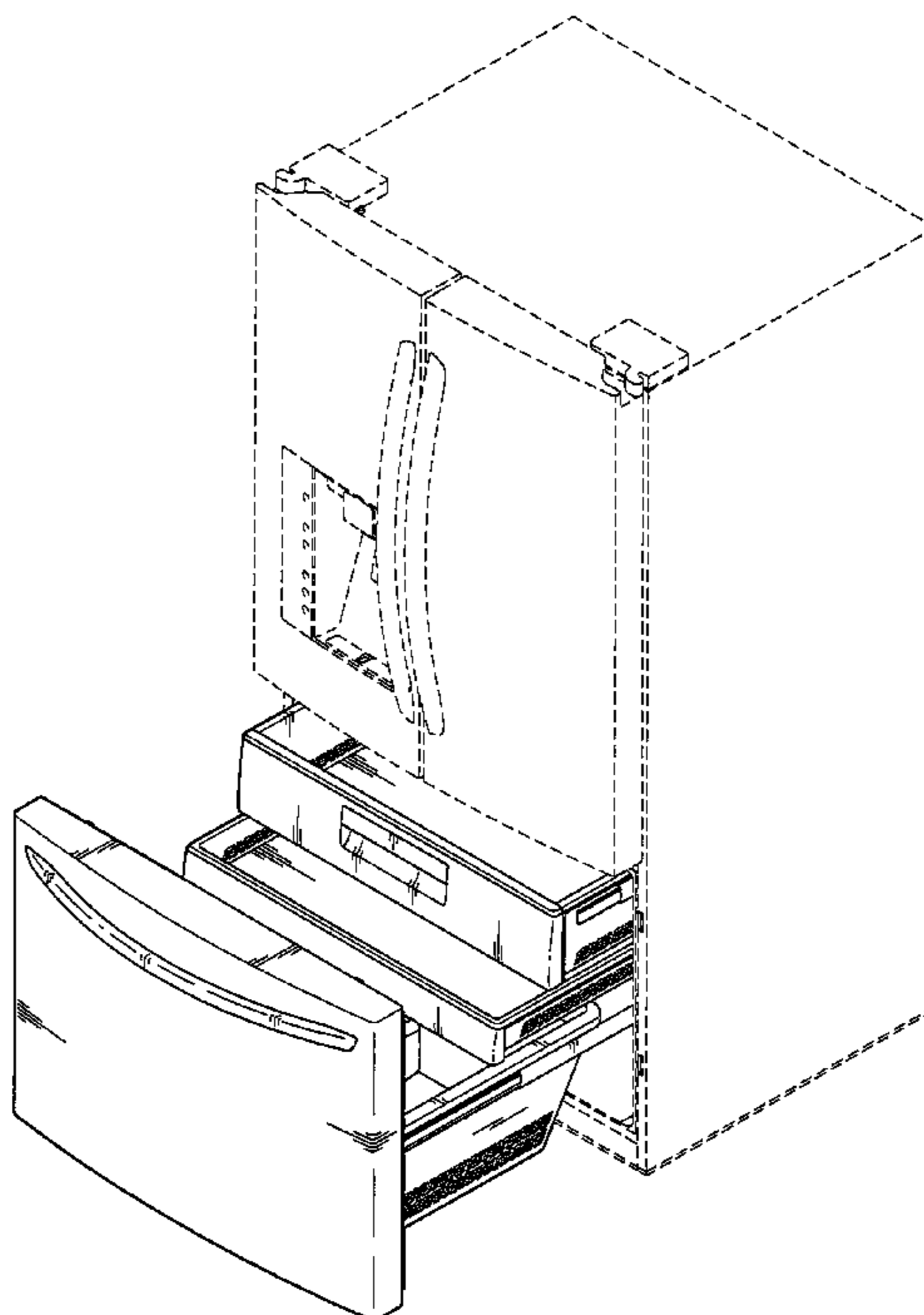


FIG. 1

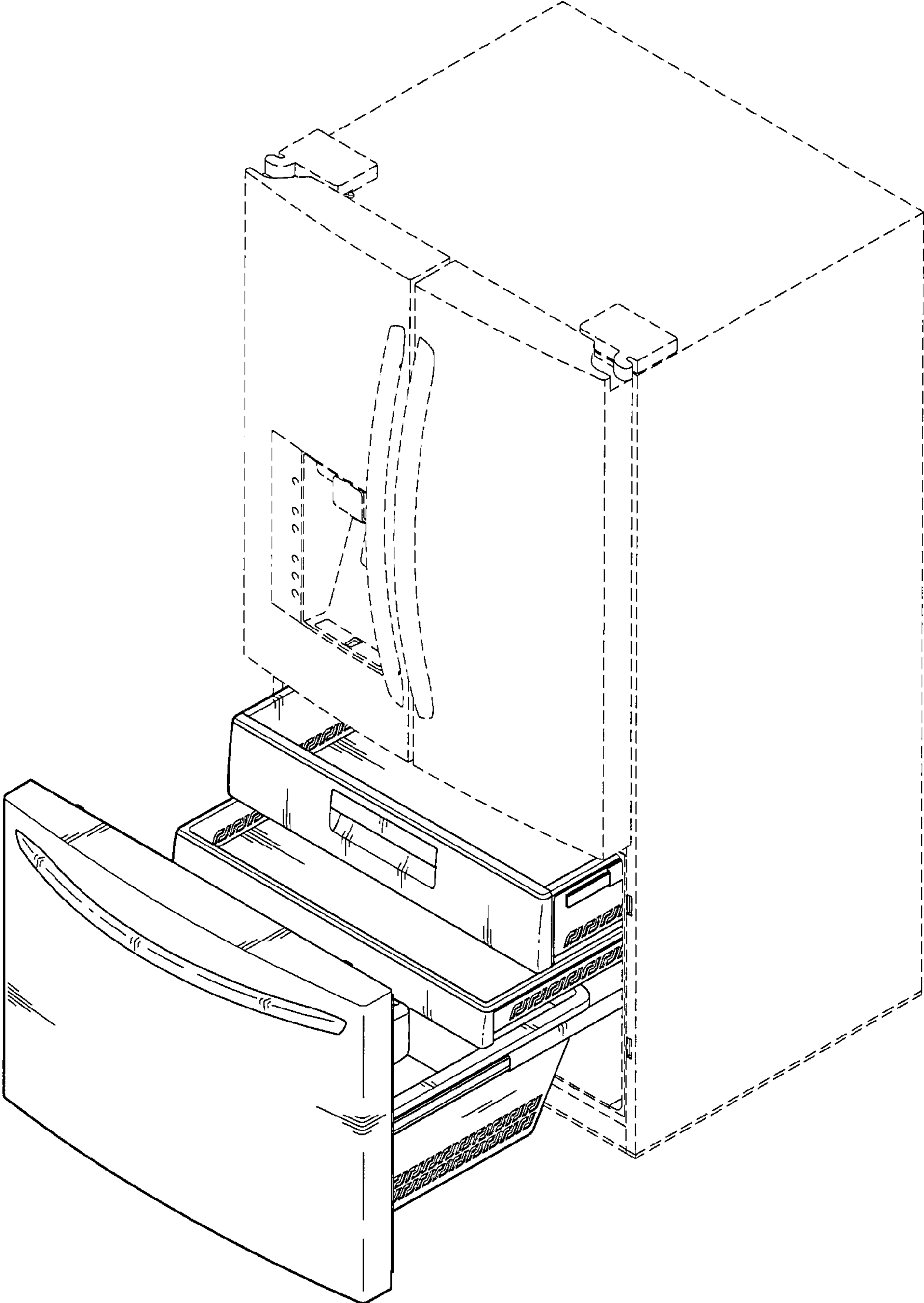


FIG. 2

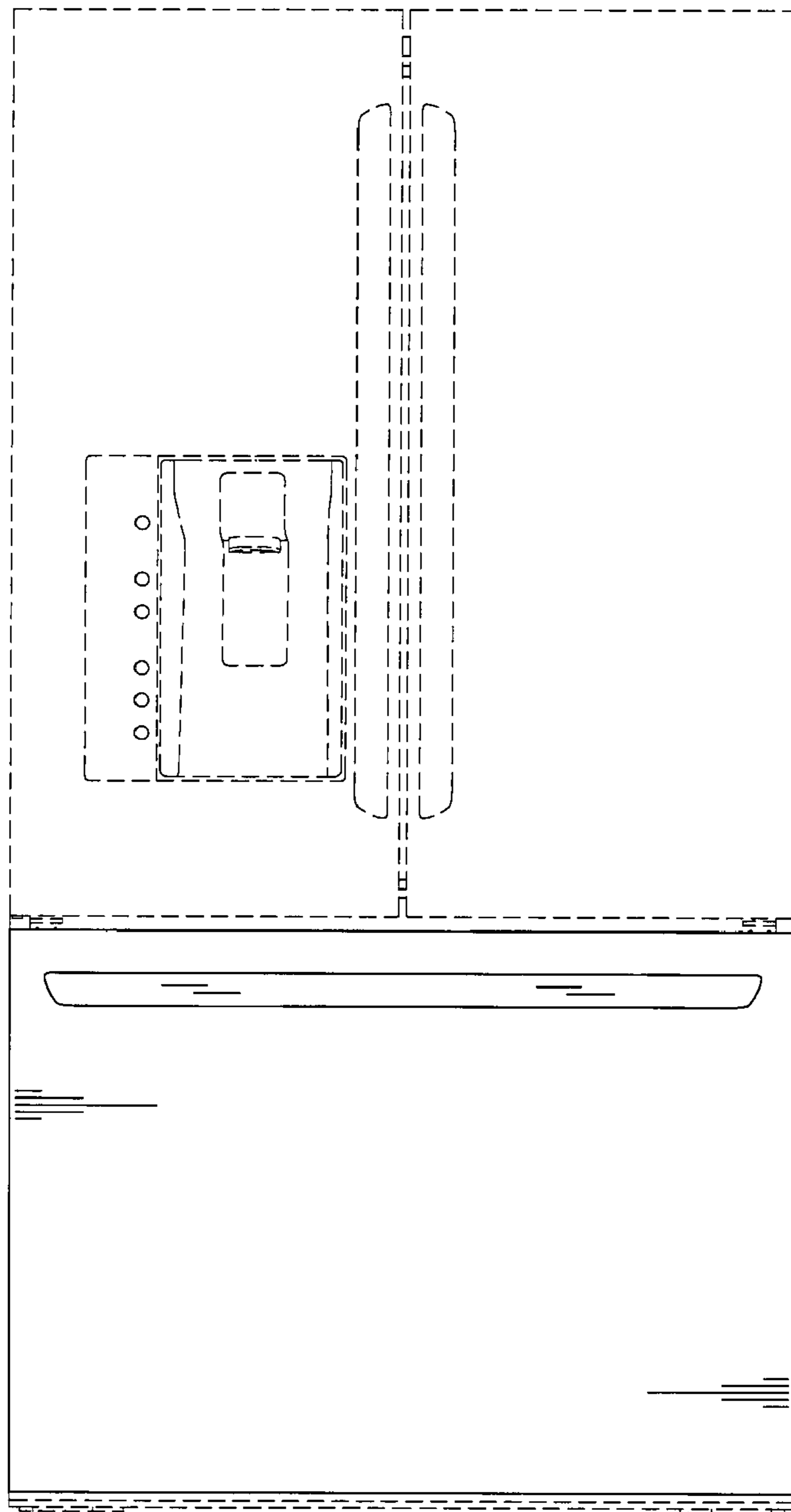


FIG. 3

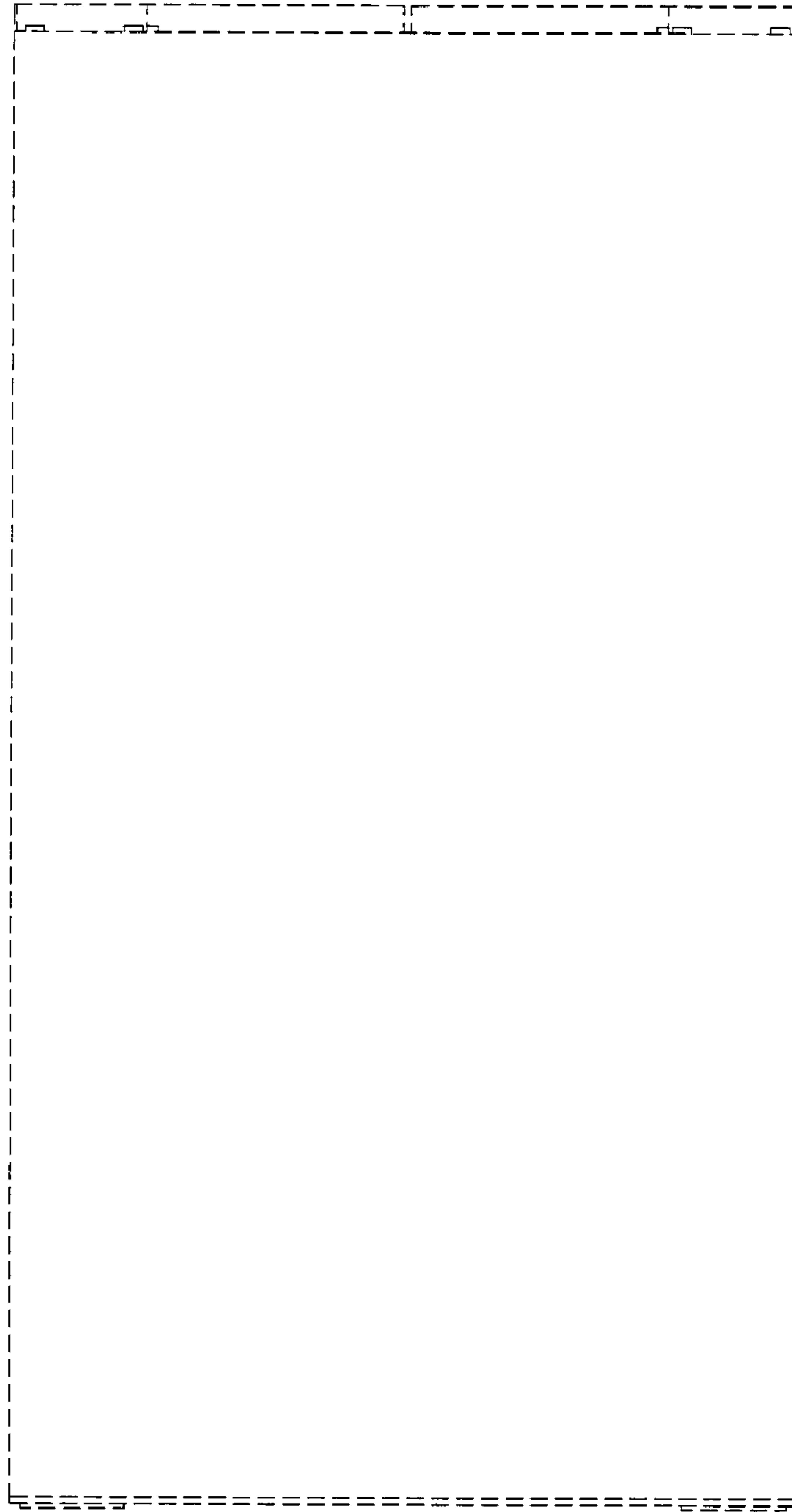


FIG. 4

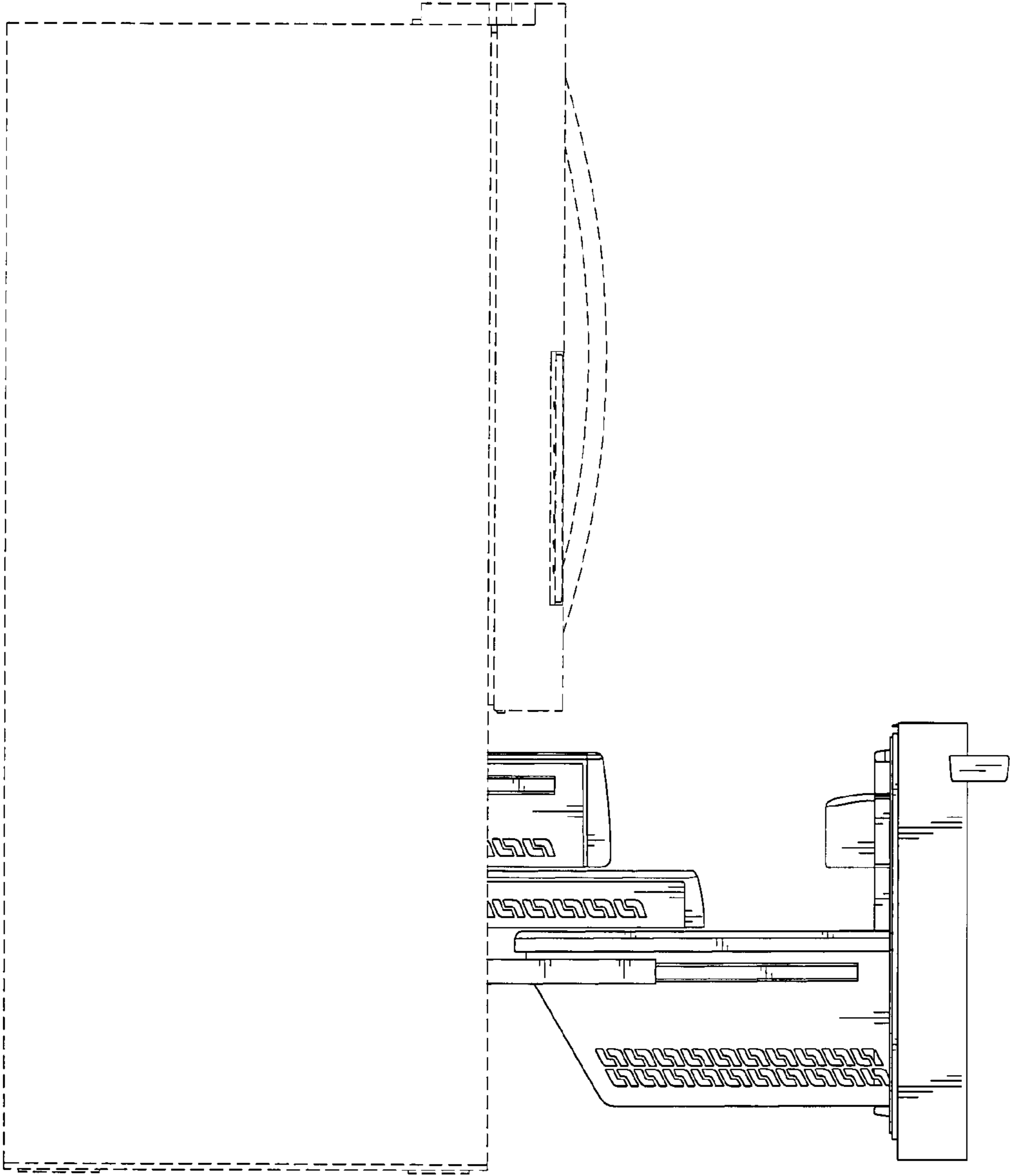


FIG. 5

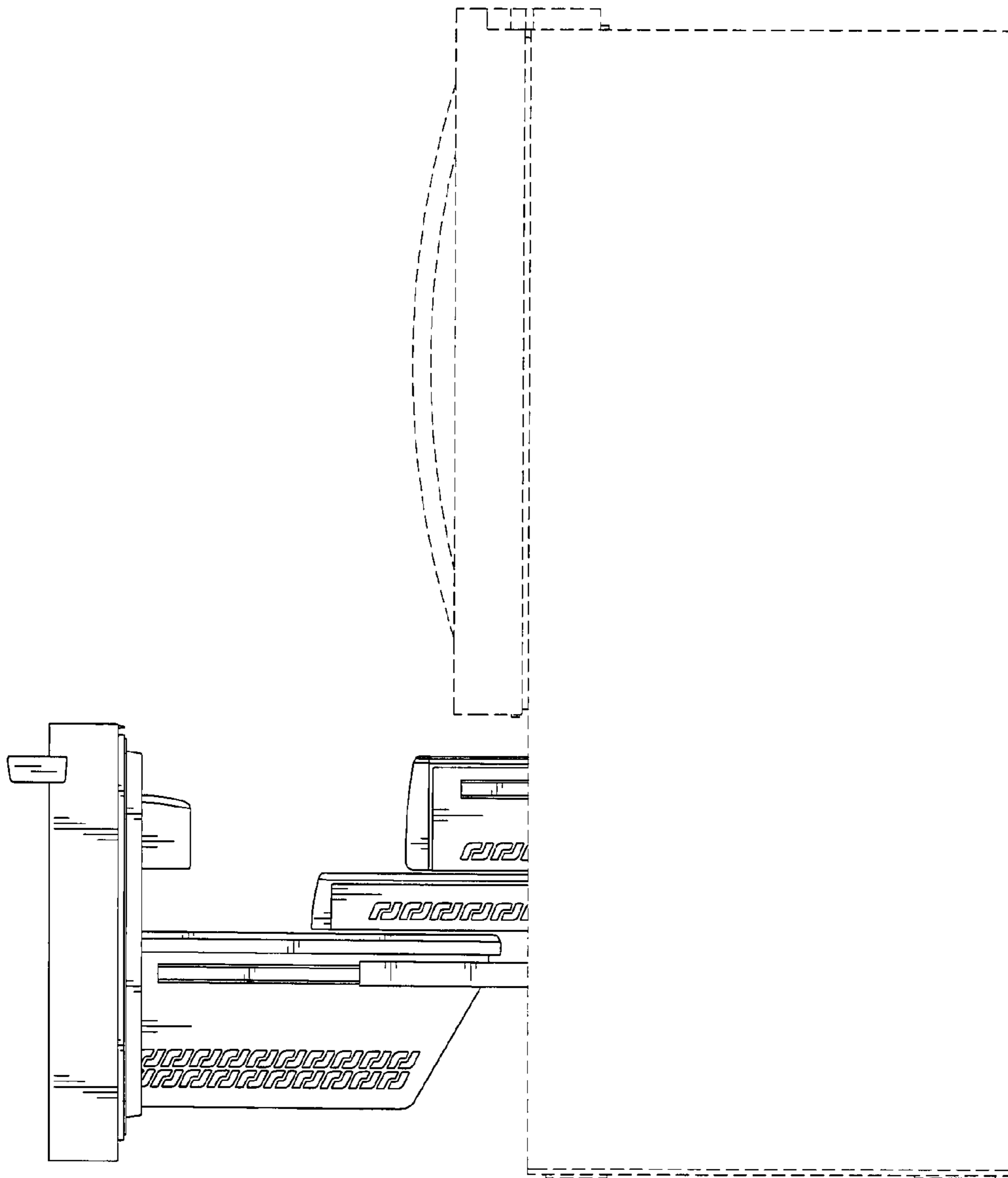


FIG. 6

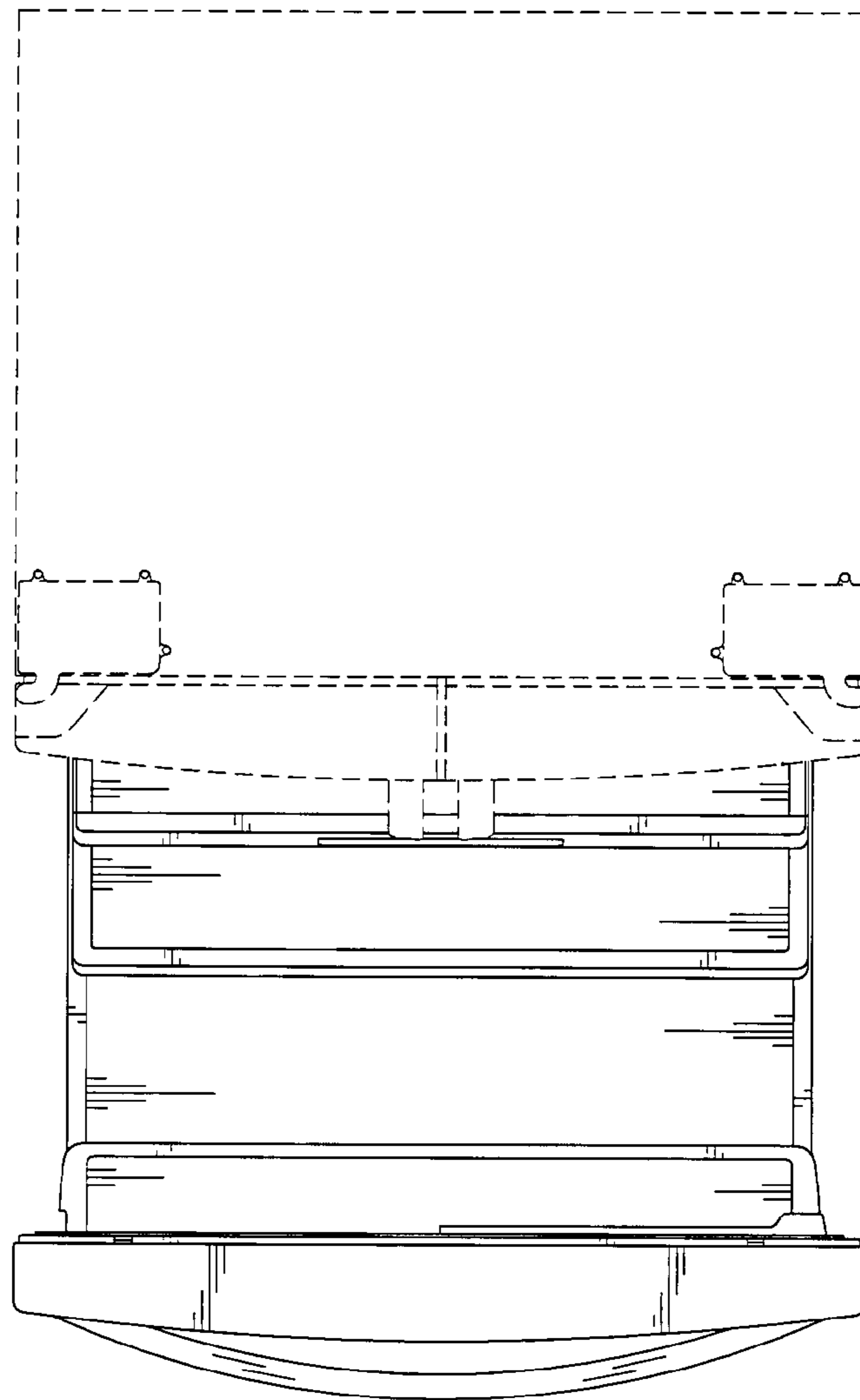


FIG. 7

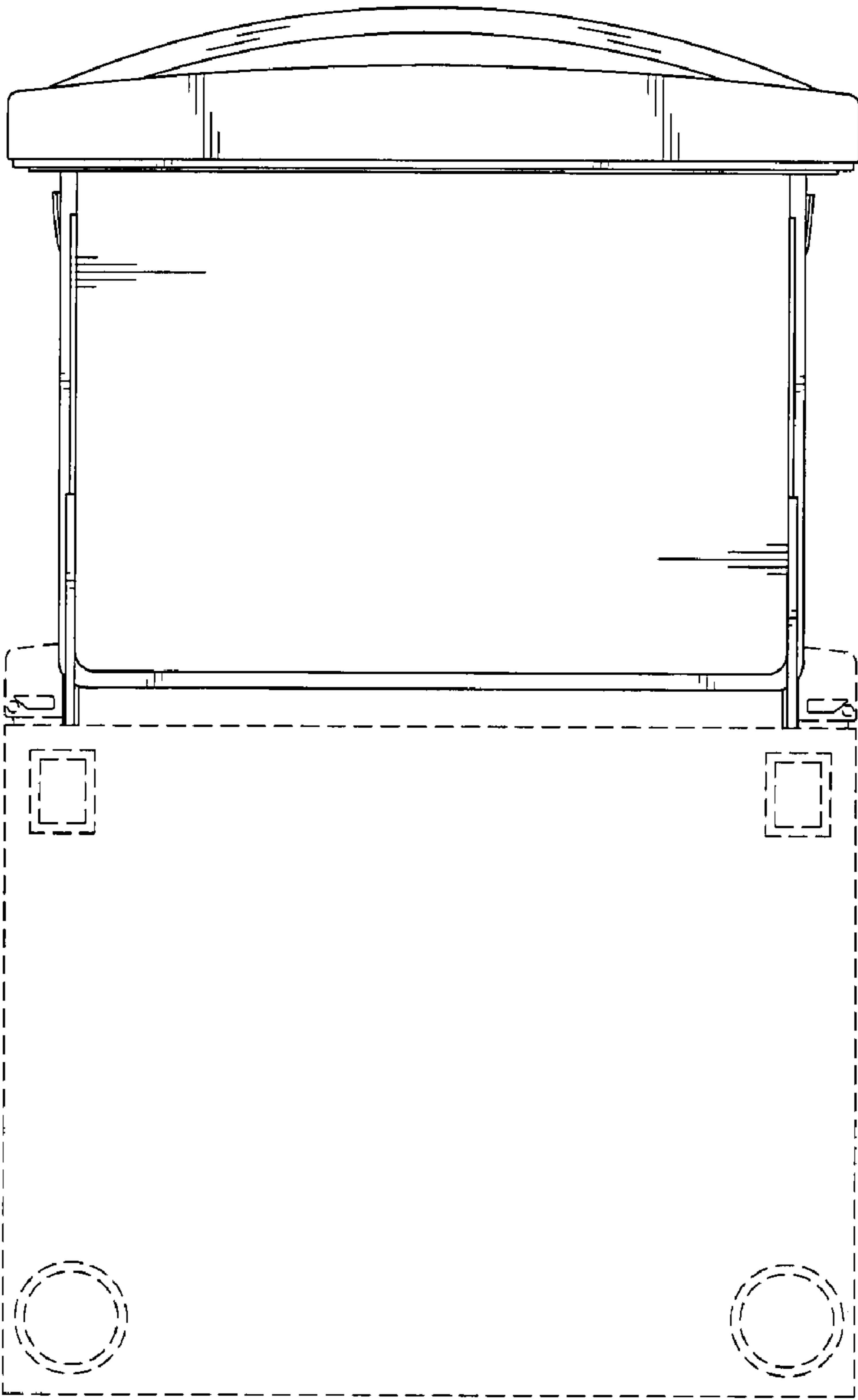


FIG. 8

