



US00D656966S

(12) **United States Design Patent**
Iwata et al.

(10) **Patent No.:** **US D656,966 S**
(45) **Date of Patent:** **** Apr. 3, 2012**

(54) **INTERIOR OF CABIN FOR CONSTRUCTION MACHINE**

DESCRIPTION

(75) Inventors: **Teruhisa Iwata**, Kawasaki (JP);
Yoshihiro Sekiguchi, Hitachinaka (JP)

(73) Assignee: **Komatsu Ltd.**, Tokyo (JP)

(**) Term: **14 Years**

(21) Appl. No.: **29/374,001**

(22) Filed: **Jun. 20, 2011**

(30) **Foreign Application Priority Data**

Dec. 24, 2010 (JP) 2010-030900

(51) **LOC (9) Cl.** **15-03**

(52) **U.S. Cl.** **D15/28**

(58) **Field of Classification Search** D15/10,
D15/22-26, 28, 30; D12/195; 296/190.01,
296/190.03, 190.08, 202; 180/89.11, 89.12,
180/89.13, 90, 315, 316, 326, 333, 334
See application file for complete search history.

(56) **References Cited**

U.S. PATENT DOCUMENTS

4,055,230 A * 10/1977 Kestian et al. 180/89.1
D256,018 S * 7/1980 Stone et al. D15/28
D326,662 S * 6/1992 Holm et al. D15/17
D420,685 S * 2/2000 Muranen D15/30
6,039,141 A * 3/2000 Denny 180/329

(Continued)

Primary Examiner — Mark Goodwin

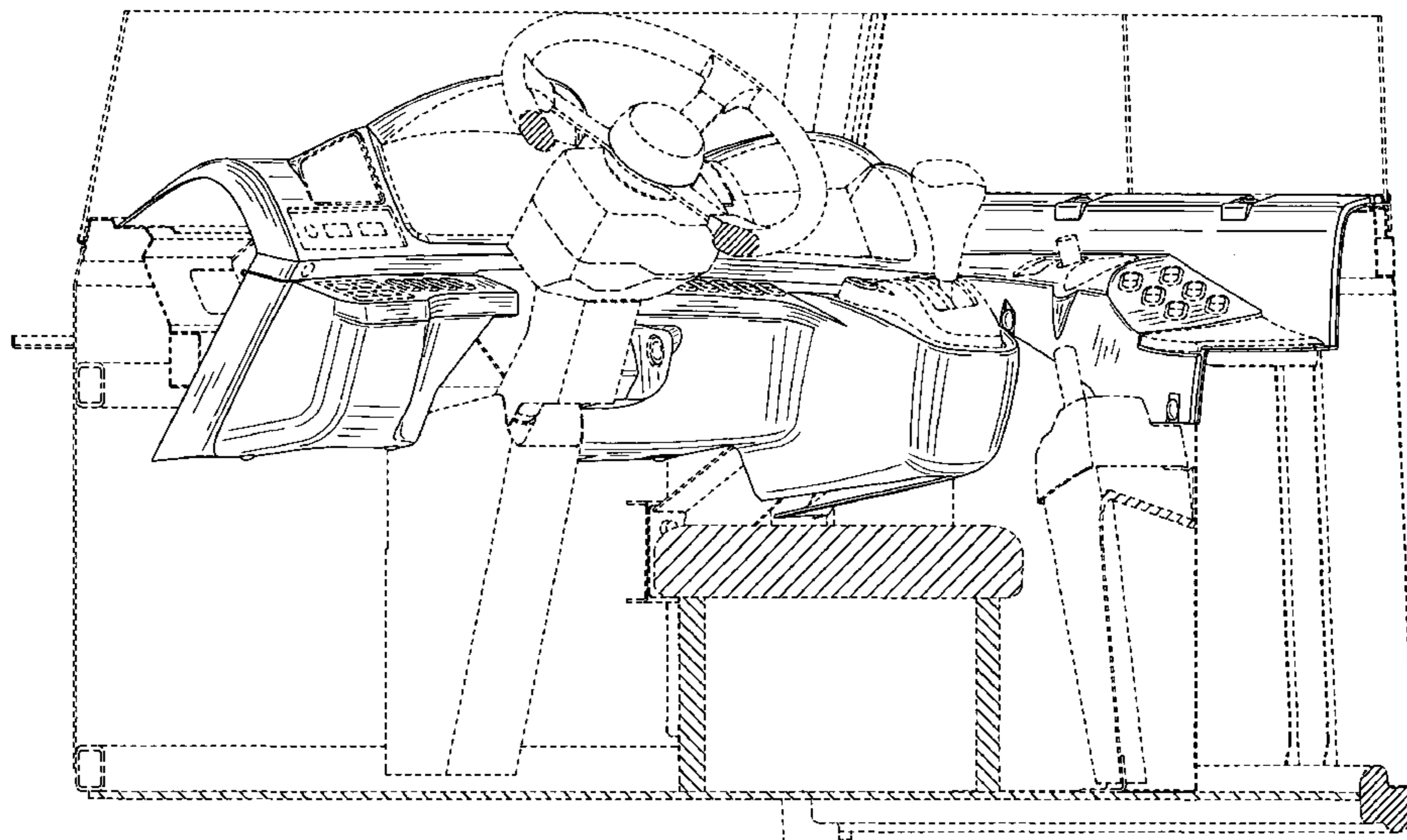
(74) *Attorney, Agent, or Firm* — Faegre Baker Daniels LLP

(57) **CLAIM**

The ornamental design for an interior of cabin for construction machine, as shown and described.

FIG. 1 is a perspective view of an exterior of a cabin for construction machine depicting environmental subject matter which does not form part of the claimed design;
FIG. 2 is a front view of the exterior of a cabin for construction machine;
FIG. 3 is a rear view of the exterior of a cabin for construction machine;
FIG. 4 is a top plan view of the exterior of a cabin for construction machine;
FIG. 5 is a bottom plan view of the exterior of a cabin for construction machine;
FIG. 6 is a right side elevational view of the exterior of a cabin for construction machine;
FIG. 7 is a left side elevational view of the exterior of a cabin for construction machine;
FIG. 8 is a cross-sectional view of an interior of cabin for construction machine showing our new design, taken along line 8-8 in FIG. 2 with some internal structure omitted;
FIG. 9 is an enlarged view of an interior of cabin for construction machine showing the portion defined by crop line 9-9 in FIG. 8;
FIG. 10 is an enlarged cross-sectional view of an interior of cabin for construction machine showing the portion defined by crop line 9-9 in FIG. 8, taken along line 10-10 in FIG. 2;
FIG. 11 is an enlarged cross-sectional view of an interior of cabin for construction machine showing the portion defined by crop line 9-9 in FIG. 8, taken along line 11-11 in FIG. 2;
FIG. 12 is an enlarged cross-sectional view of an interior of cabin for construction machine showing the portion defined by crop line 9-9 in FIG. 8, taken along line 12-12 in FIG. 8; and,
FIG. 13 is an enlarged cross-sectional view of an interior of cabin for construction machine the portion defined by crop line 9-9 in FIG. 8, taken along line 13-13 in FIG. 8.
The features shown in broken lines in the drawings depict environmental subject matter only and form no part of the claimed design.

1 Claim, 13 Drawing Sheets



US D656,966 S

Page 2

U.S. PATENT DOCUMENTS

D427,613 S *	7/2000	Altmann et al.	D15/28	D519,132 S *	4/2006	Laux et al.	D15/28
D428,022 S *	7/2000	Altmann et al.	D15/28	D543,558 S *	5/2007	Dolesh et al.	D15/28
D459,734 S *	7/2002	Hohnl et al.	D15/28	D546,841 S *	7/2007	McCarren et al.	D15/28
D471,564 S *	3/2003	Hohnl et al.	D15/28	D549,739 S *	8/2007	Stephens	D15/28
D513,415 S *	1/2006	Klein et al.	D15/30	D555,676 S *	11/2007	Haubrich et al.	D15/28
D515,593 S *	2/2006	Haubrich et al.	D15/28	D593,134 S *	5/2009	Kuwae et al.	D15/28

* cited by examiner

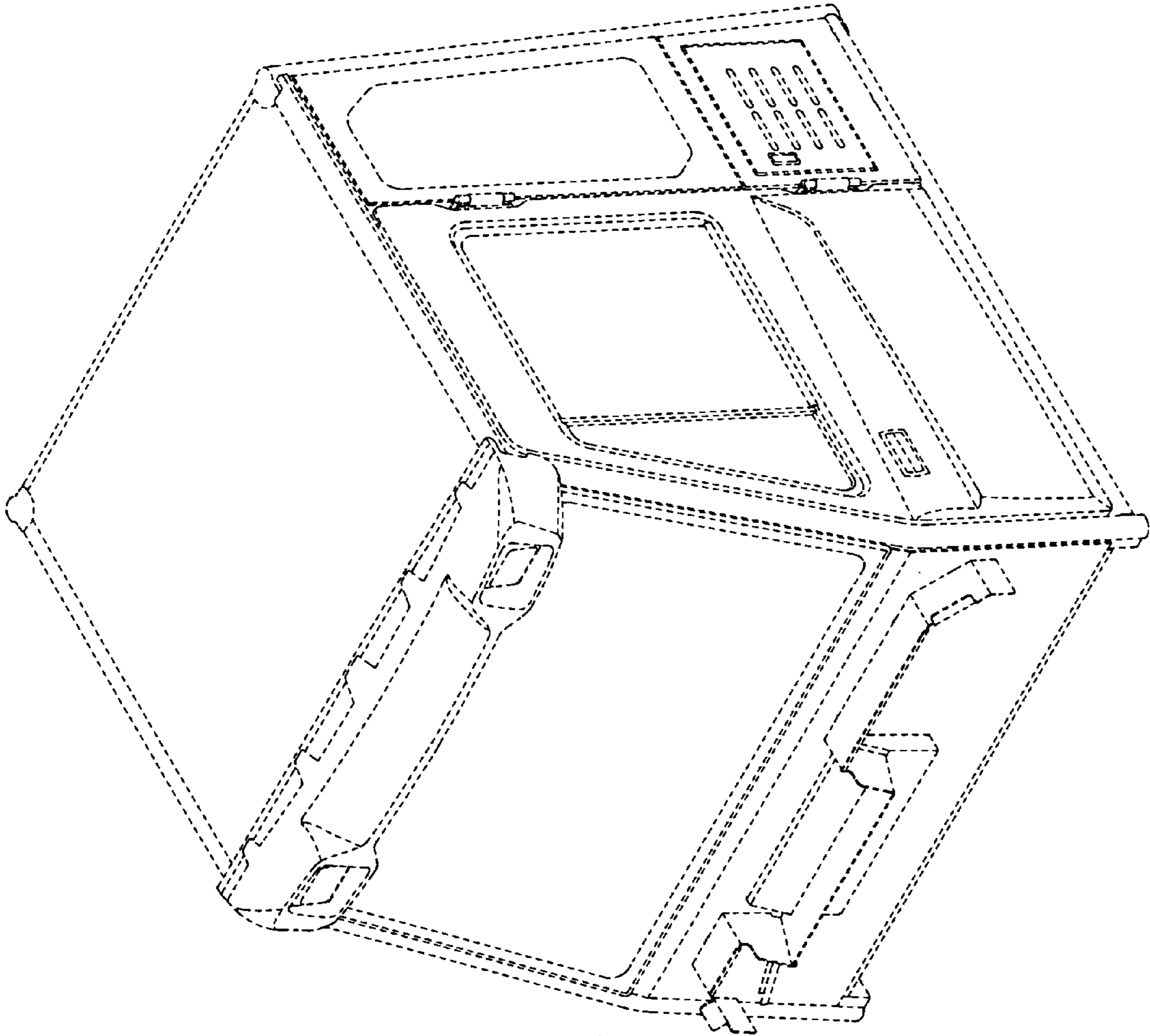


Fig. 1

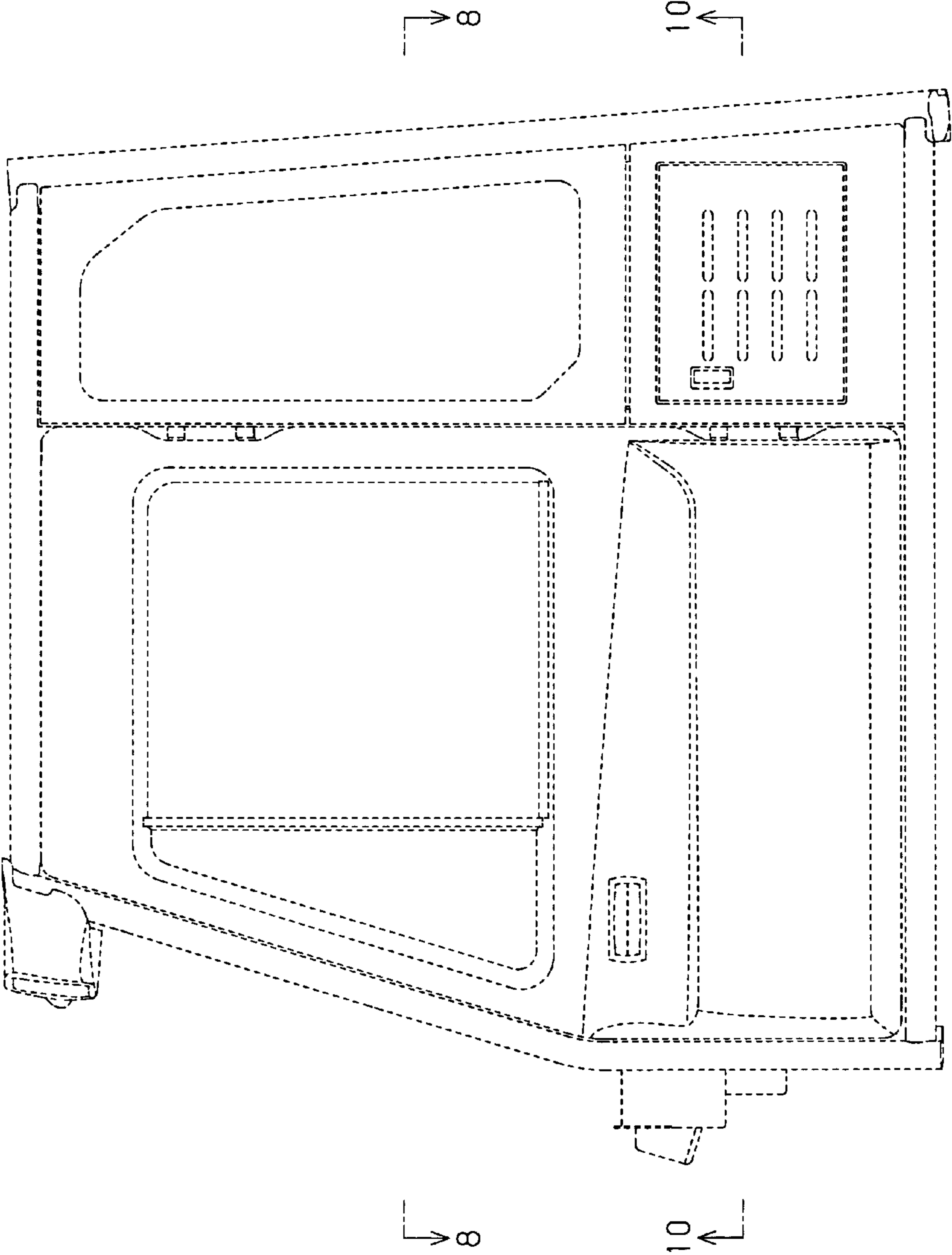


Fig. 2

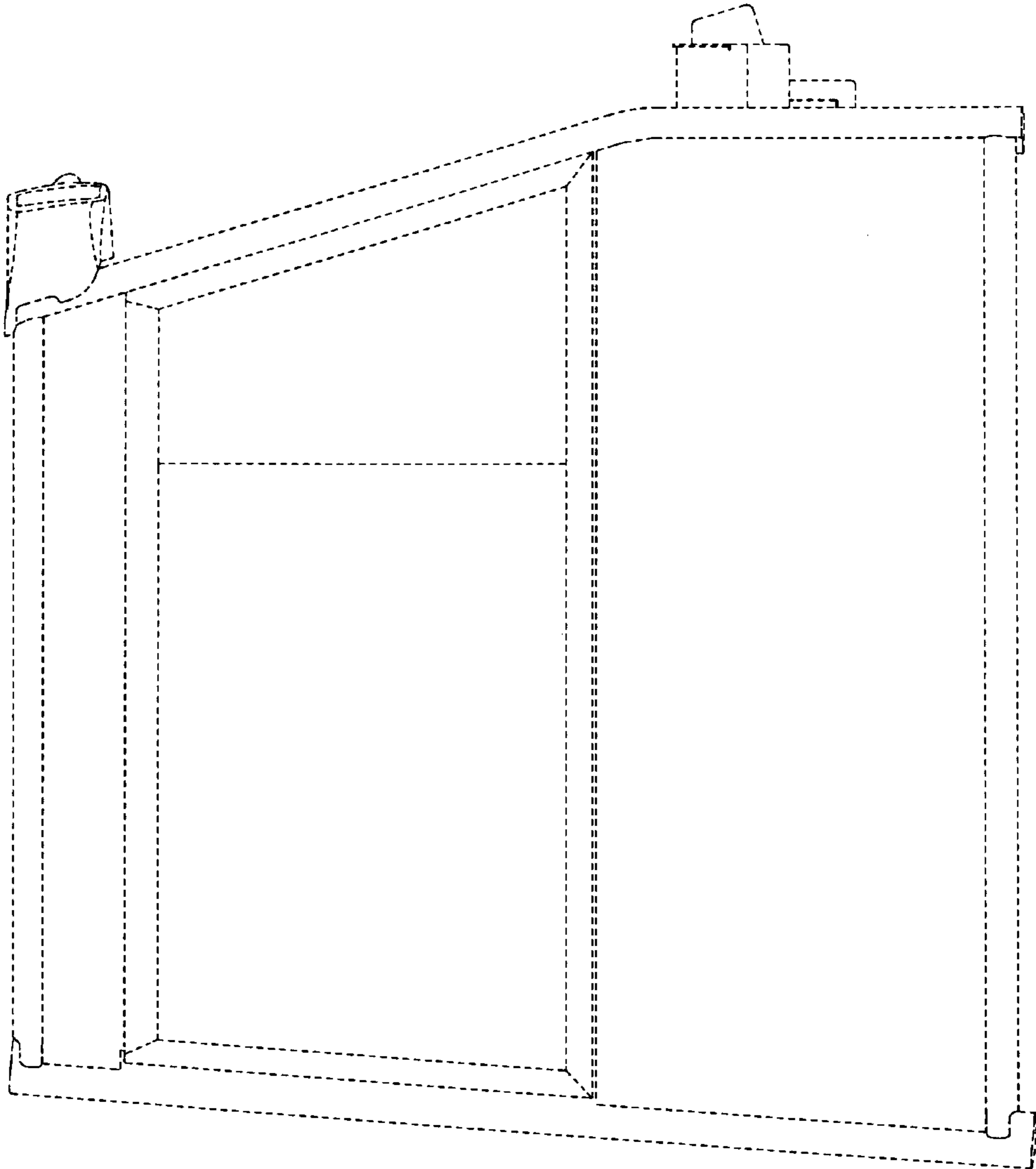


Fig. 3

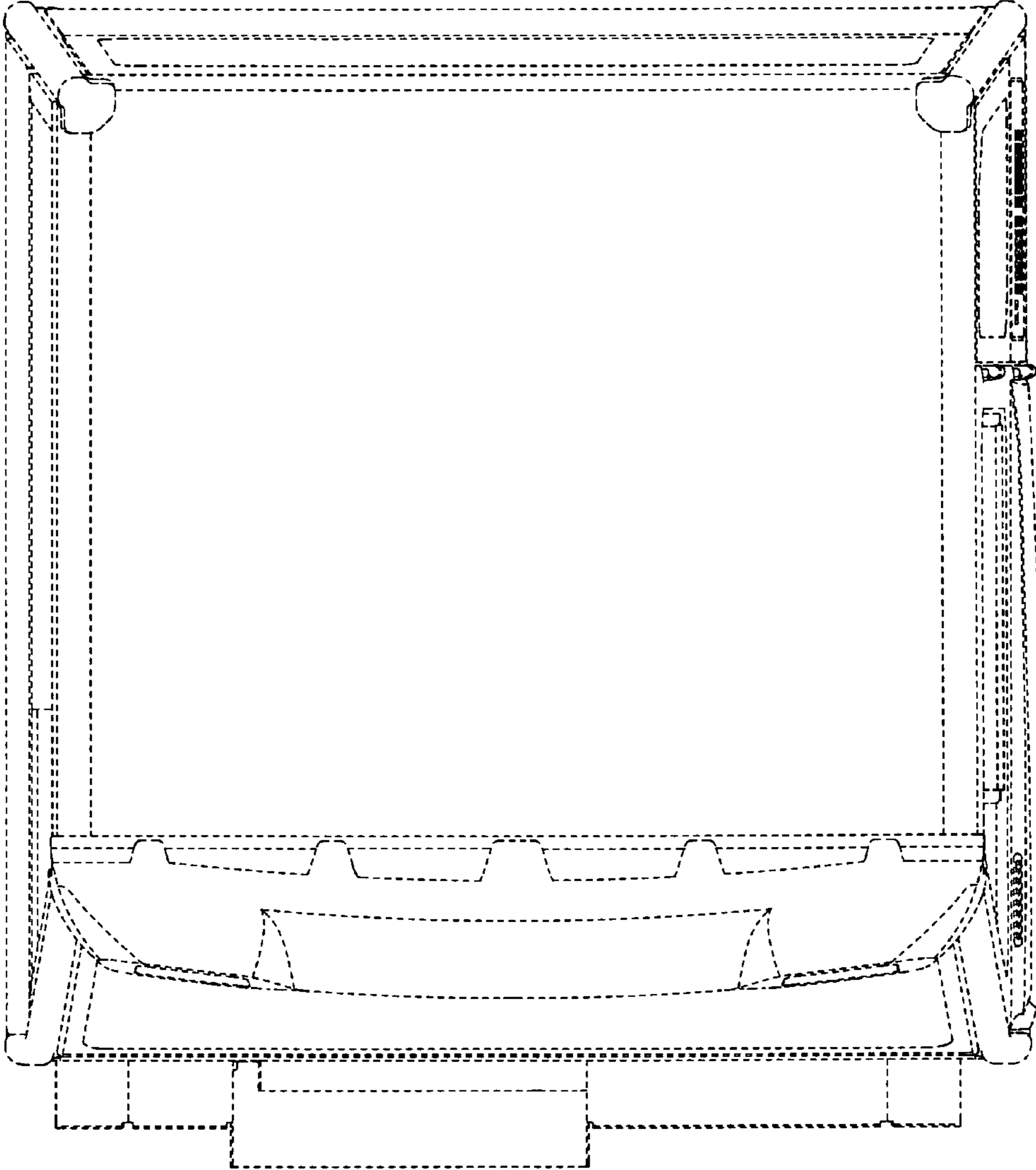


Fig. 4

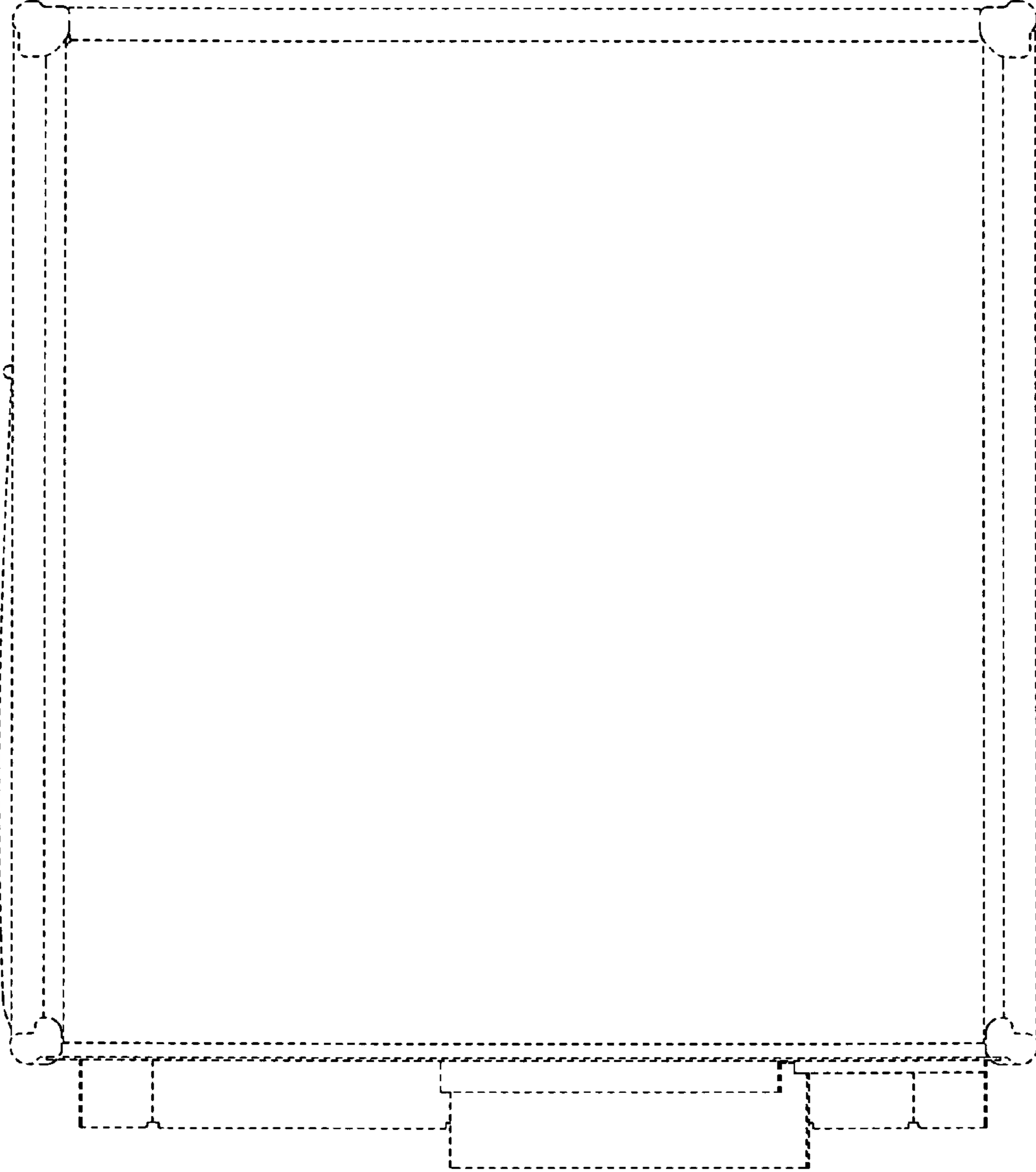


Fig. 5

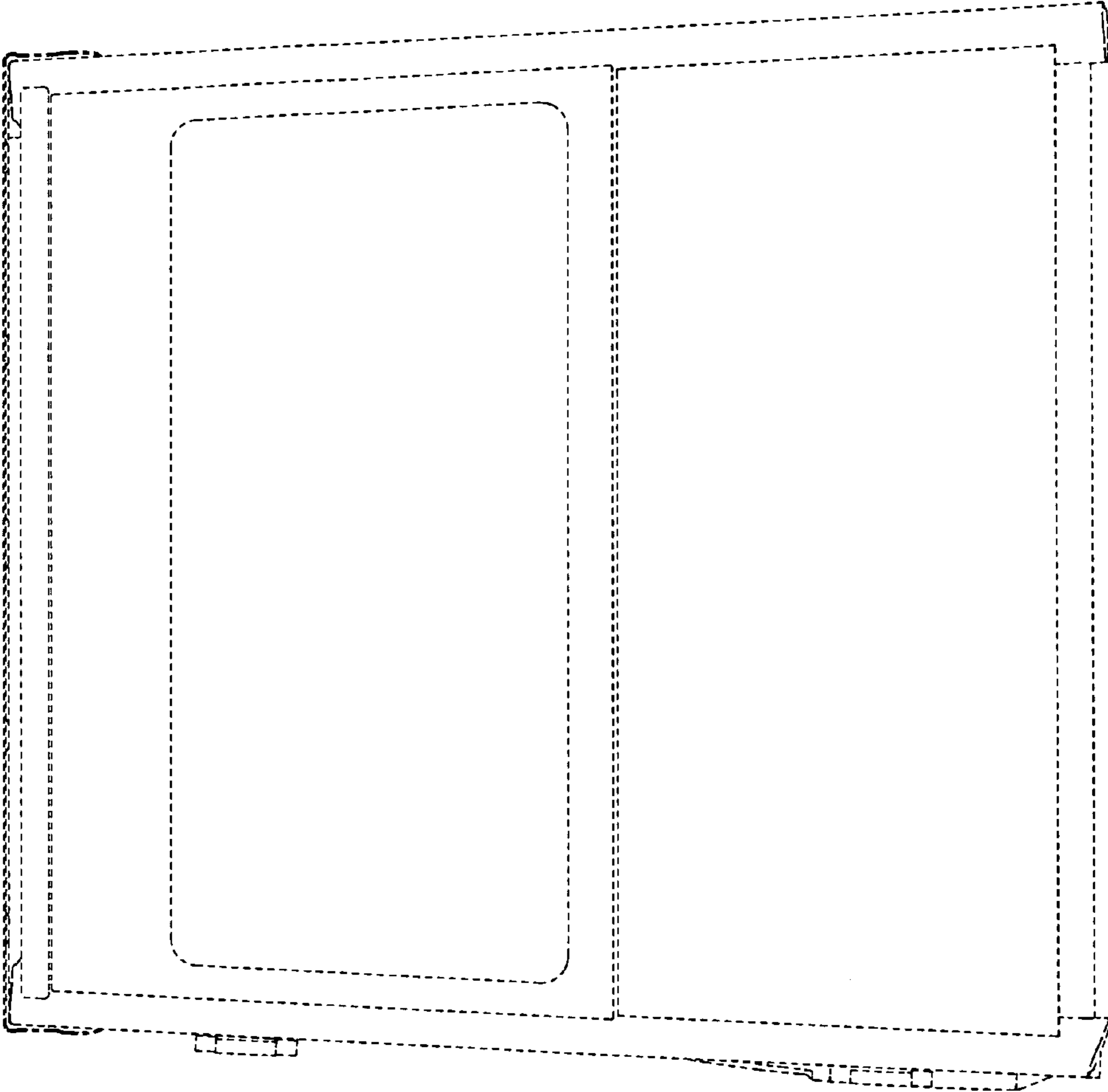


Fig. 6

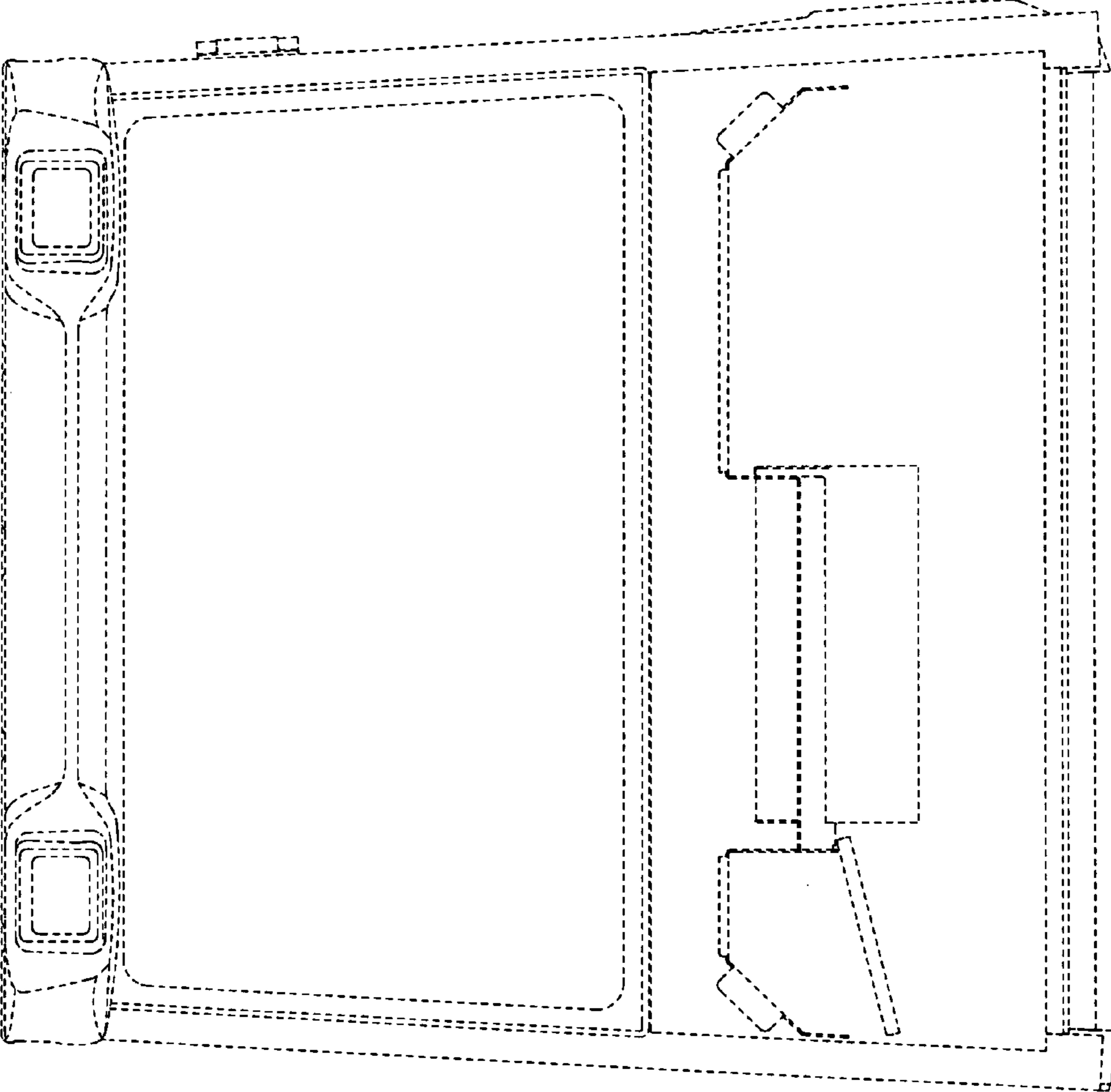


Fig. 7

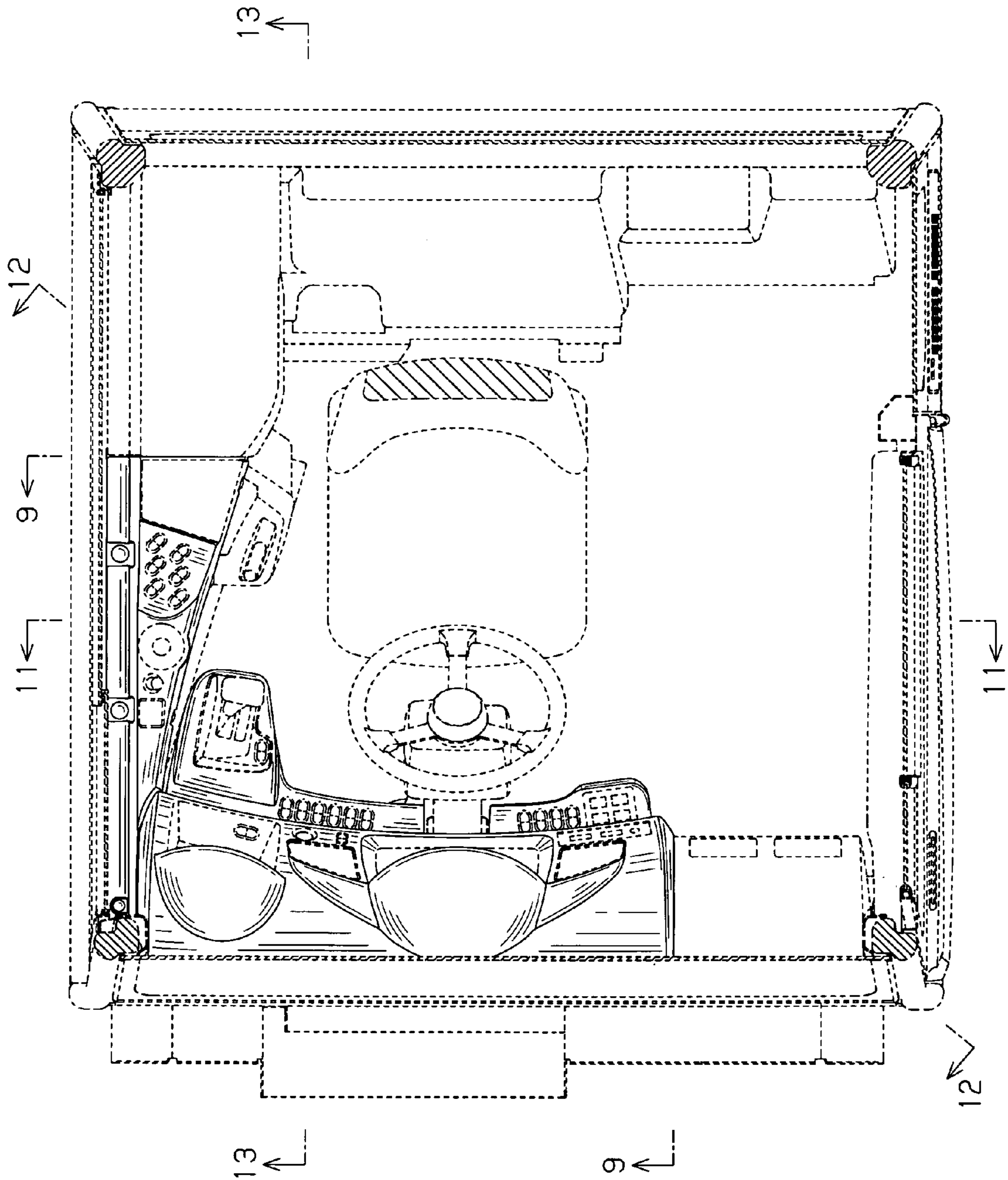


Fig. 8

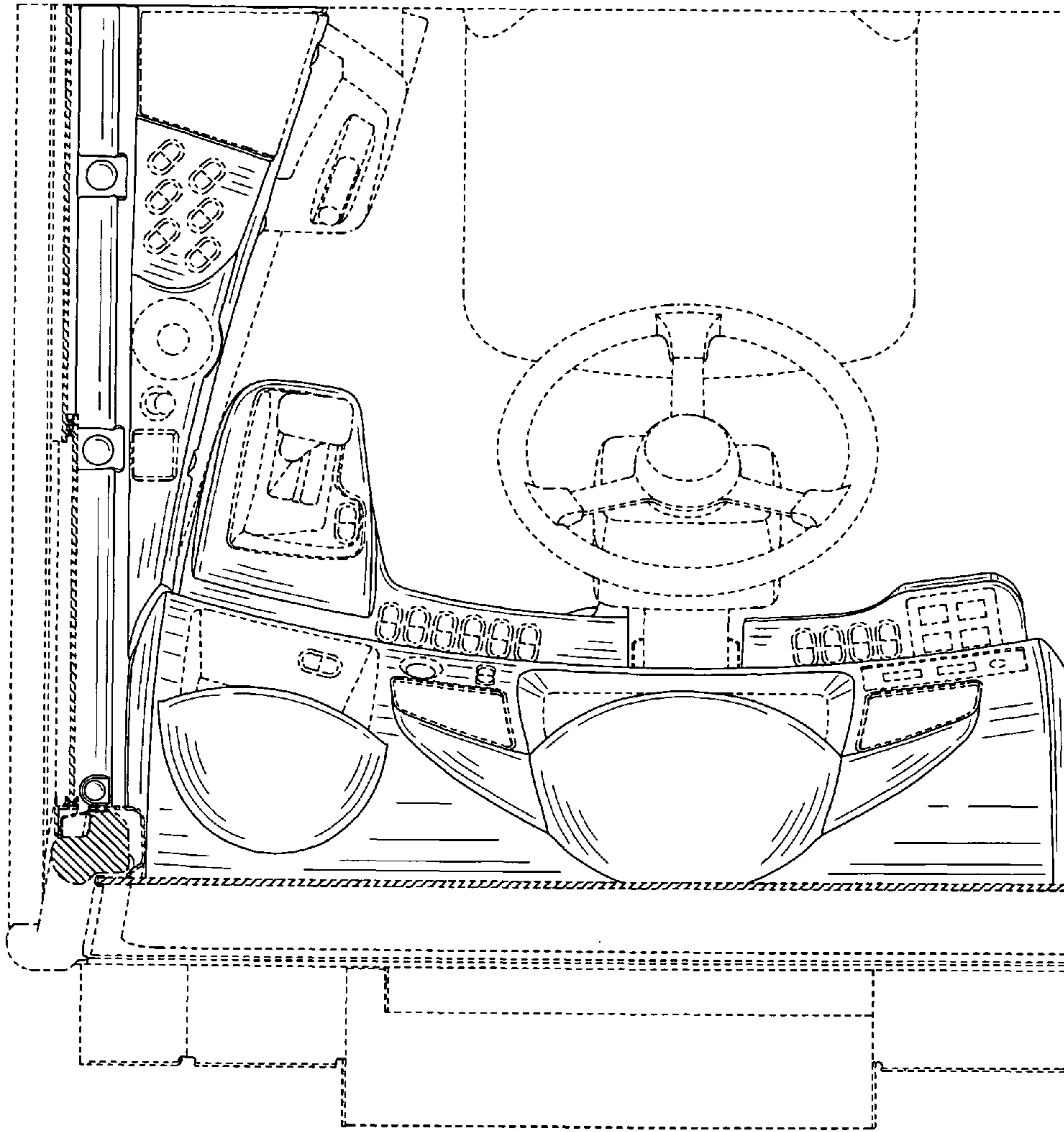


Fig. 9

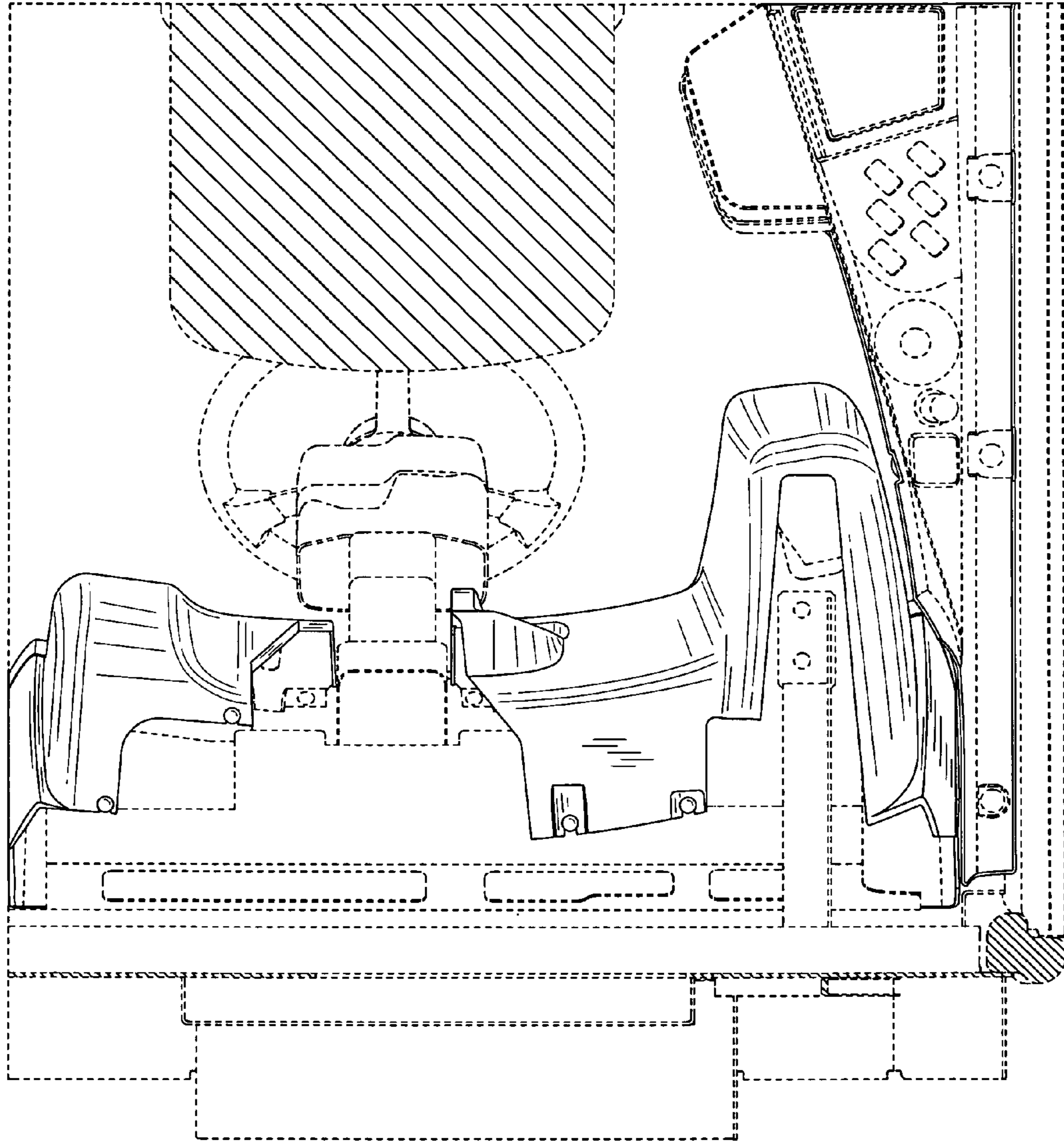


Fig. 10

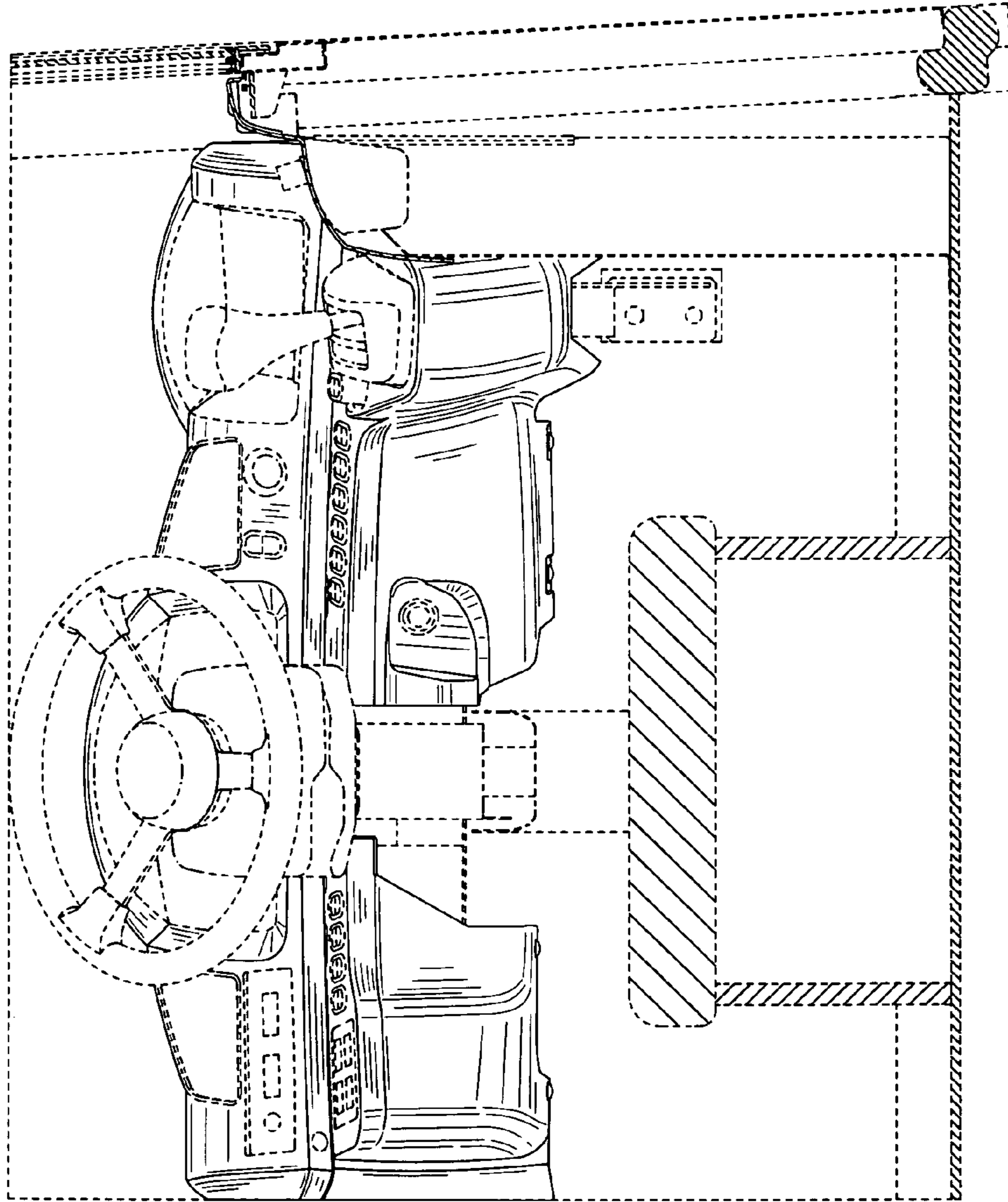


Fig. 11

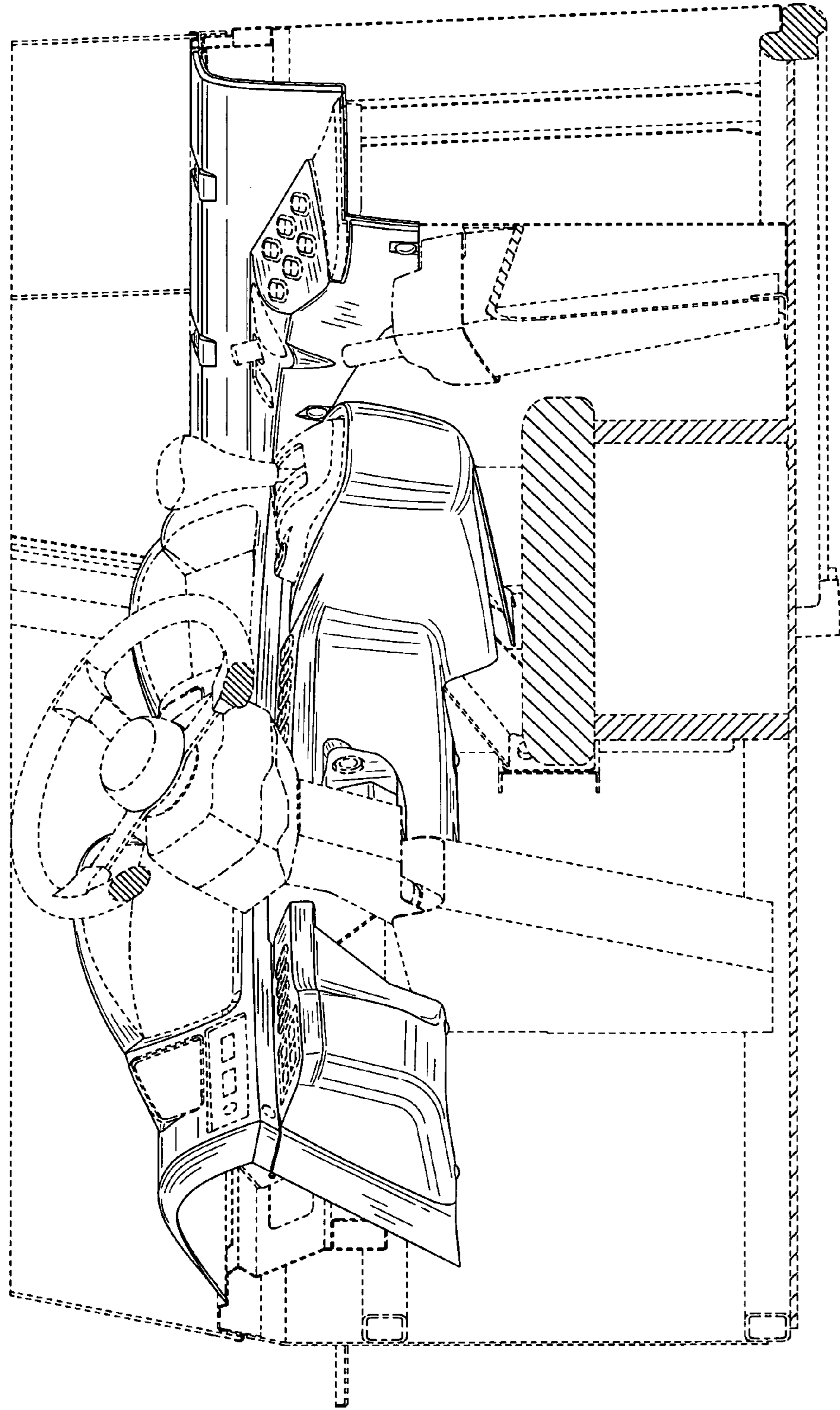


Fig. 12

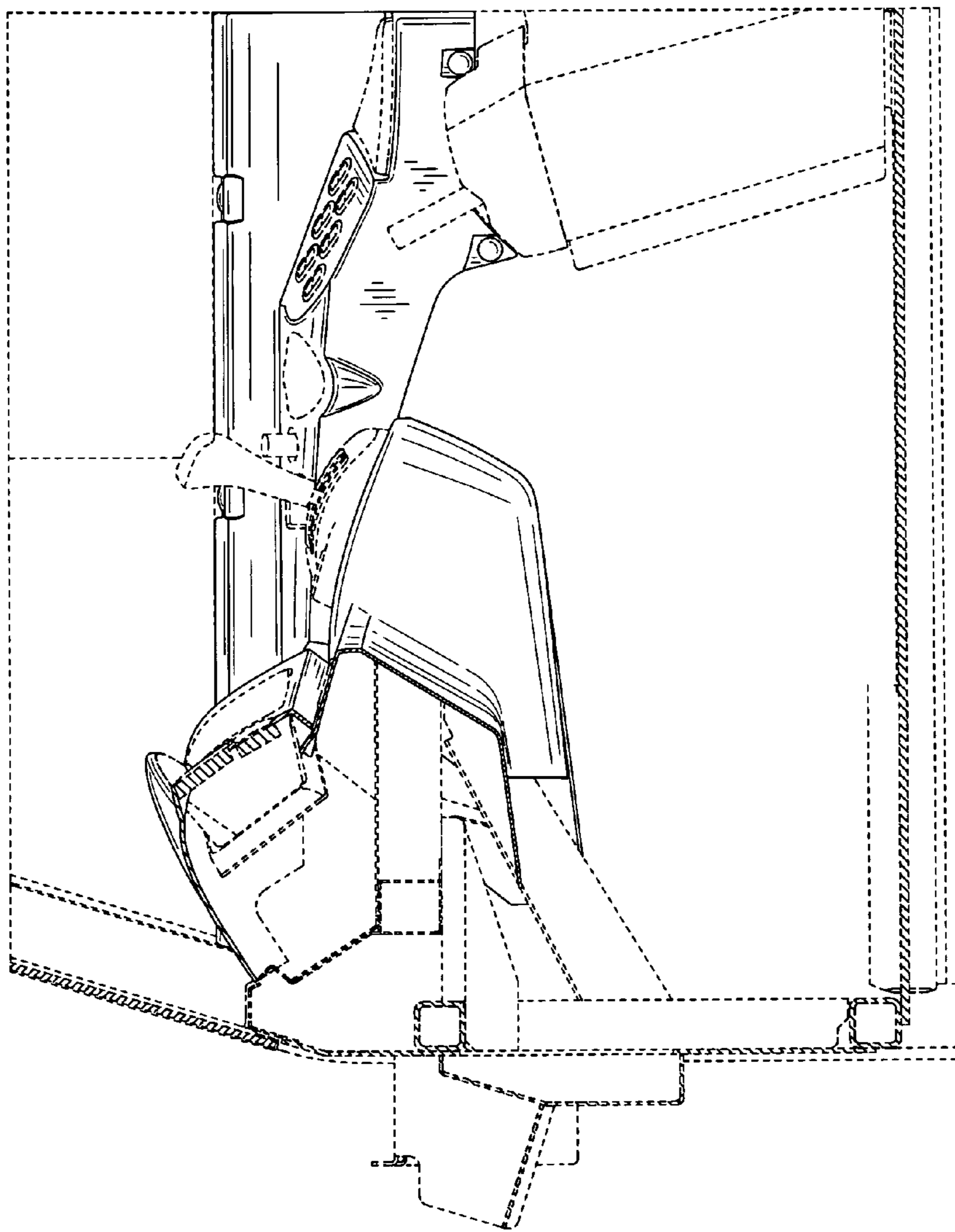


Fig. 13