



US00D656965S

(12) **United States Design Patent**
Örtlund et al.

(10) **Patent No.:** **US D656,965 S**

(45) **Date of Patent:** **** Apr. 3, 2012**

(54) **LAWN CARE VEHICLE BODY STRUCTURE**

(75) Inventors: **Johan Örtlund**, Ödeshög (SE);
Rajinder Mehra, Johanneshov (SE)

(73) Assignee: **Husqvarna AB**, Huskvarna (SE)

(**) Term: **14 Years**

(21) Appl. No.: **29/408,310**

(22) Filed: **Dec. 9, 2011**

(30) **Foreign Application Priority Data**

Jun. 27, 2011 (EM) 001883018

(51) **LOC (9) Cl.** **15-03**

(52) **U.S. Cl.** **D15/17; D15/15**

(58) **Field of Classification Search** D15/10,
D15/14-17, 22, 28, 33; 56/12.1, 12.7, 12.8,
56/13.4, 13.7, 16.7, 17.1, 17.5, 202, 255,
56/320.1-320.2; 180/89.1, 311

See application file for complete search history.

(56) **References Cited**

U.S. PATENT DOCUMENTS

D311,921 S *	11/1990	Popelier et al.	D15/15
D327,484 S *	6/1992	Flenniken et al.	D15/17
D338,896 S *	8/1993	Flenniken et al.	D15/17
D339,357 S *	9/1993	Teal et al.	D15/17
D340,461 S *	10/1993	Patterson et al.	D15/15
D340,936 S *	11/1993	Matsuda et al.	D15/15
D344,959 S *	3/1994	Patterson et al.	D15/17
D344,960 S *	3/1994	Patterson et al.	D15/17
D362,447 S *	9/1995	Lamb	D15/15
D386,189 S *	11/1997	Wolf	D15/15
D387,358 S *	12/1997	Wolf	D15/15
D387,359 S *	12/1997	Wolf	D15/17
D389,160 S *	1/1998	Wolf	D15/17
D392,981 S *	3/1998	Smith	D15/15
D392,982 S *	3/1998	Smith	D15/17
D393,267 S *	4/1998	Wolf	D15/17
D393,863 S *	4/1998	Wolf	D15/17
D397,121 S *	8/1998	Smith	D15/15

D398,311 S *	9/1998	Smith	D15/15
D409,628 S *	5/1999	Shimamura et al.	D15/15
D433,425 S *	11/2000	Surrudge et al.	D15/17
D440,233 S *	4/2001	Smith	D15/17
D442,972 S *	5/2001	Wolf	D15/15
D447,153 S *	8/2001	Hornung	D15/17
D447,491 S *	9/2001	Goebert et al.	D15/17
D448,036 S *	9/2001	Goebert et al.	D15/17
D450,330 S *	11/2001	Katoh et al.	D15/15
D455,156 S *	4/2002	Rittfeldt	D15/10
D495,718 S *	9/2004	Higashikawa	D15/15
D512,444 S *	12/2005	Ayers et al.	D15/15
D624,562 S *	9/2010	Neeley et al.	D15/17

* cited by examiner

Primary Examiner — Mark Goodwin

(74) *Attorney, Agent, or Firm* — Nelson Mullins Riley & Scarborough LLP

(57) **CLAIM**

The ornamental design for a lawn care vehicle body structure, as shown and described.

DESCRIPTION

FIG. 1 is a top perspective view of a lawn care vehicle body structure showing our new design;

FIG. 2 is a front view of the lawn care vehicle body structure of FIG. 1;

FIG. 3 is a rear view of the lawn care vehicle body structure of FIG. 1;

FIG. 4 is a left side view of the lawn care vehicle body structure of FIG. 1;

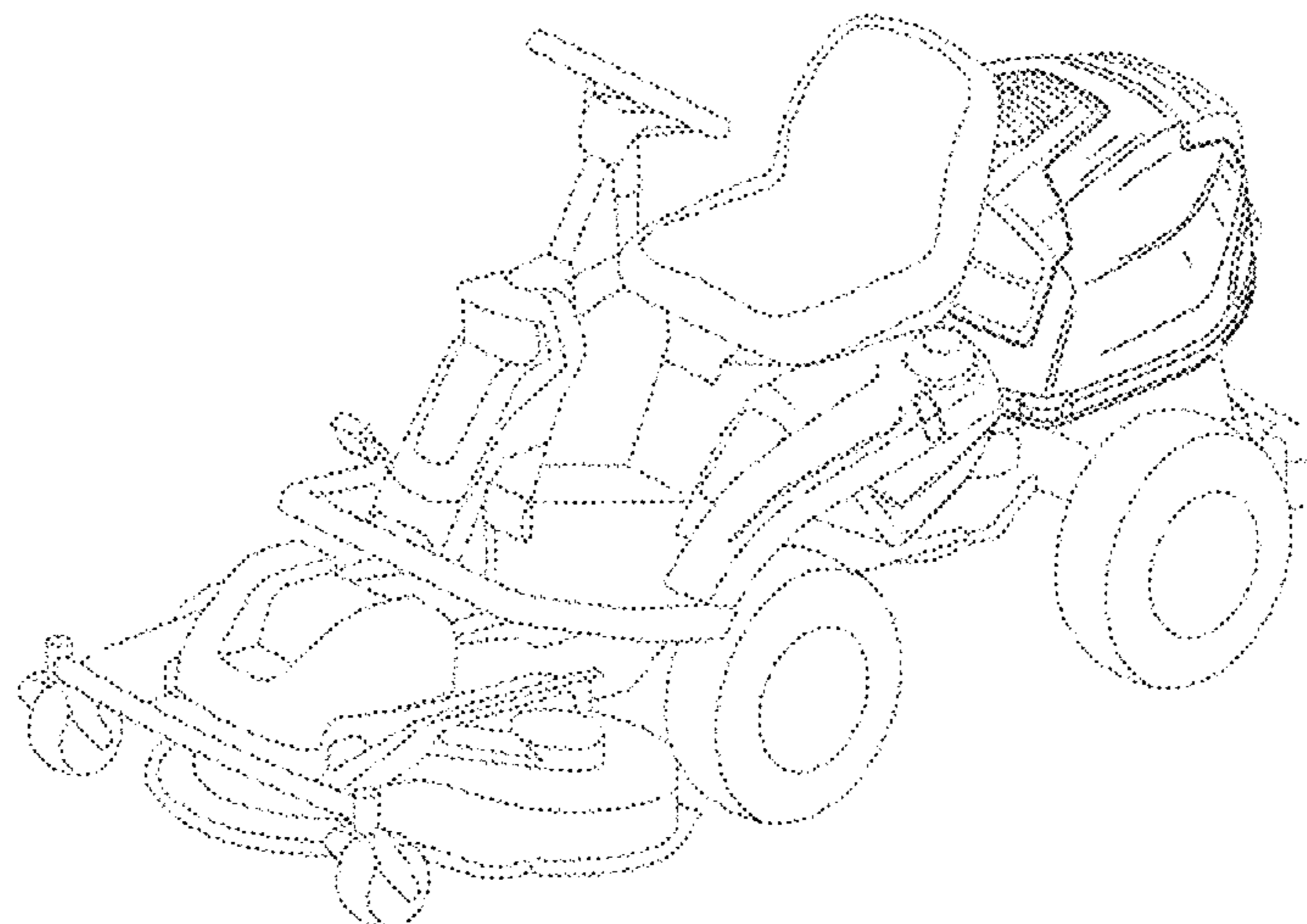
FIG. 5 is a right side view of the lawn care vehicle body structure of FIG. 1;

FIG. 6 is a top plan view of the lawn care vehicle body structure of FIG. 1; and,

FIG. 7 is a bottom plan view of the lawn care vehicle body structure of FIG. 1.

The broken lines of FIGS. 1-7 are illustrative of the visible environmental structure of the lawn care vehicle body structure and form no part of the claimed design.

1 Claim, 7 Drawing Sheets



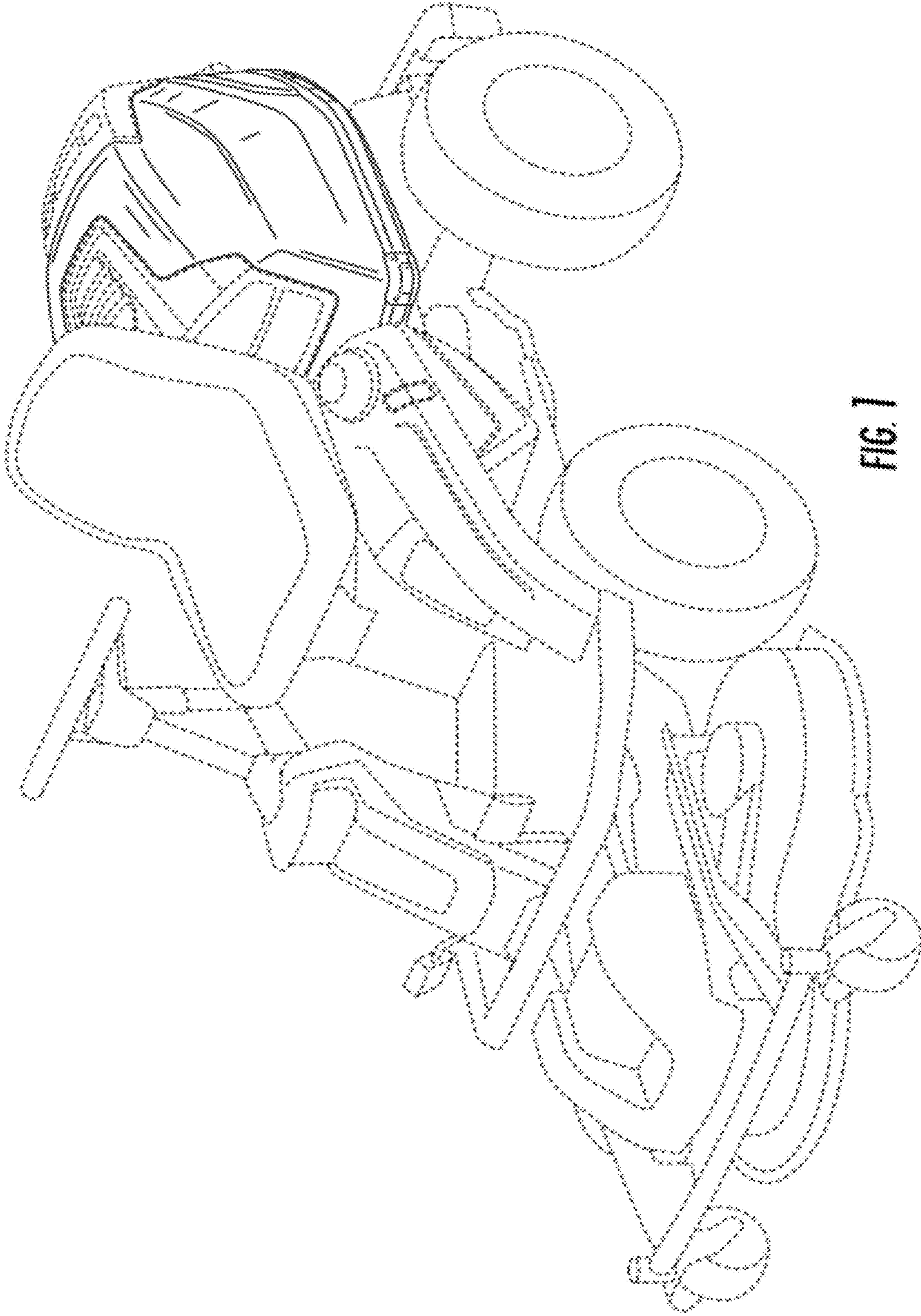


FIG. 1

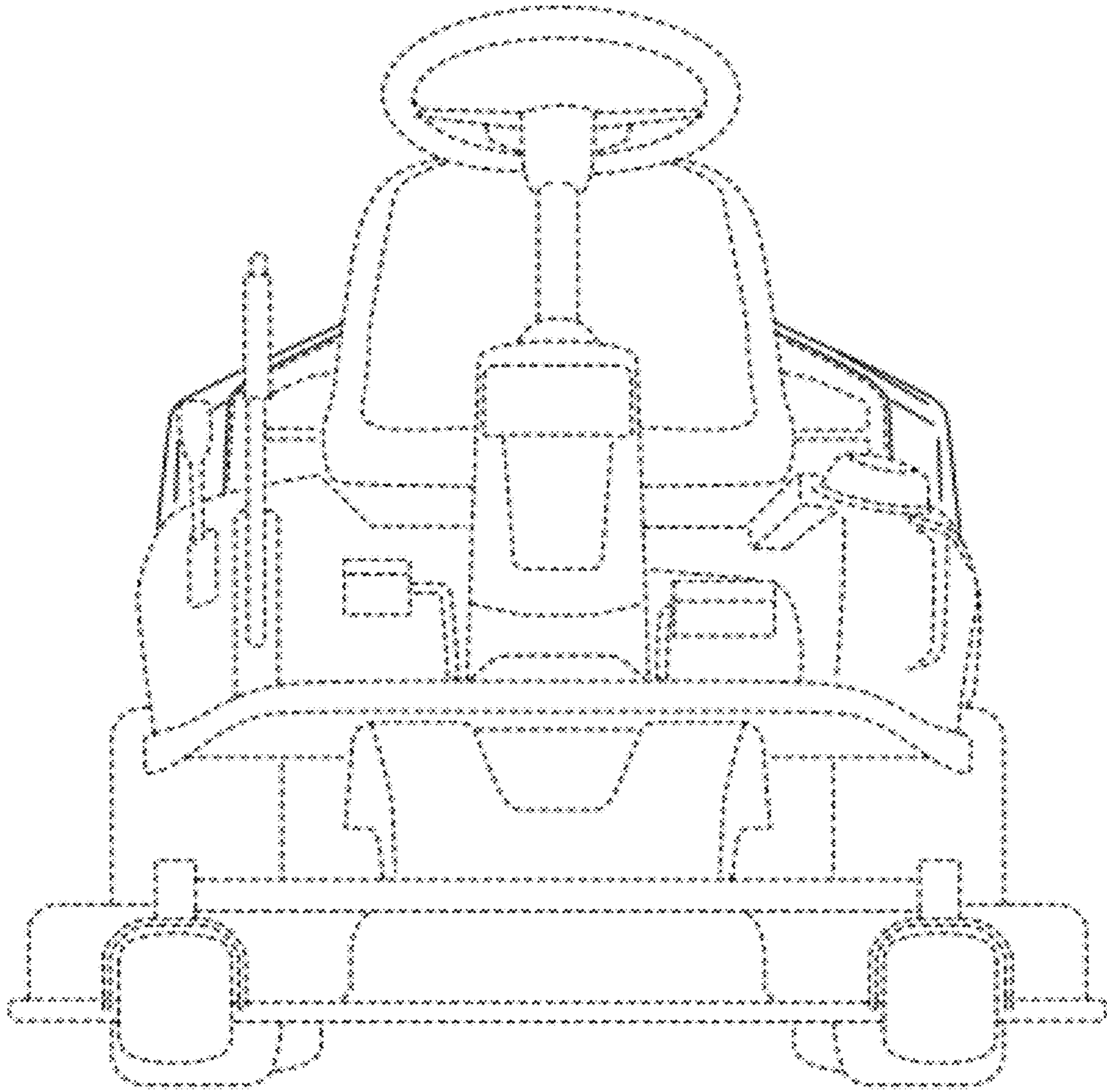


FIG. 2

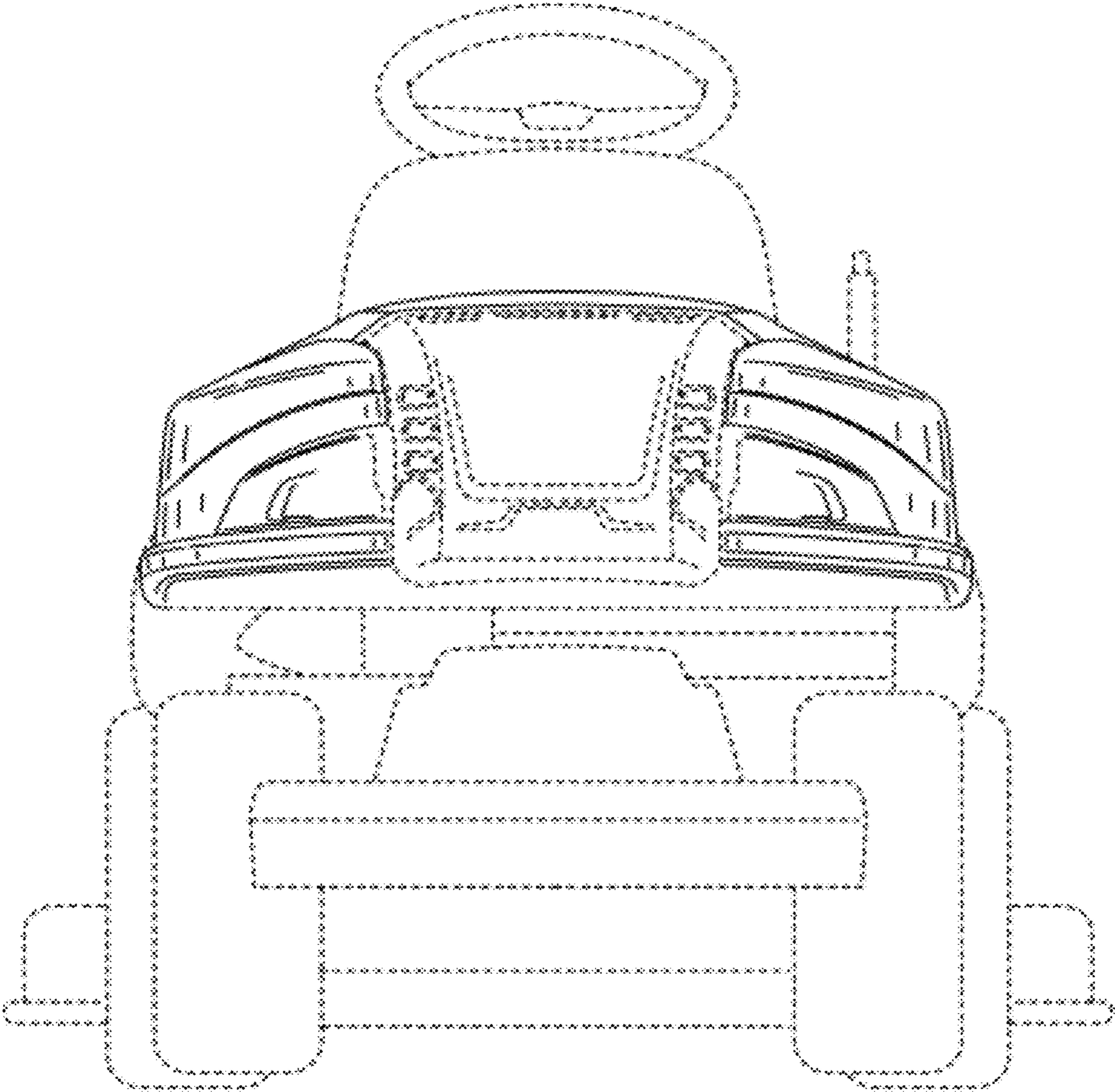


FIG. 3

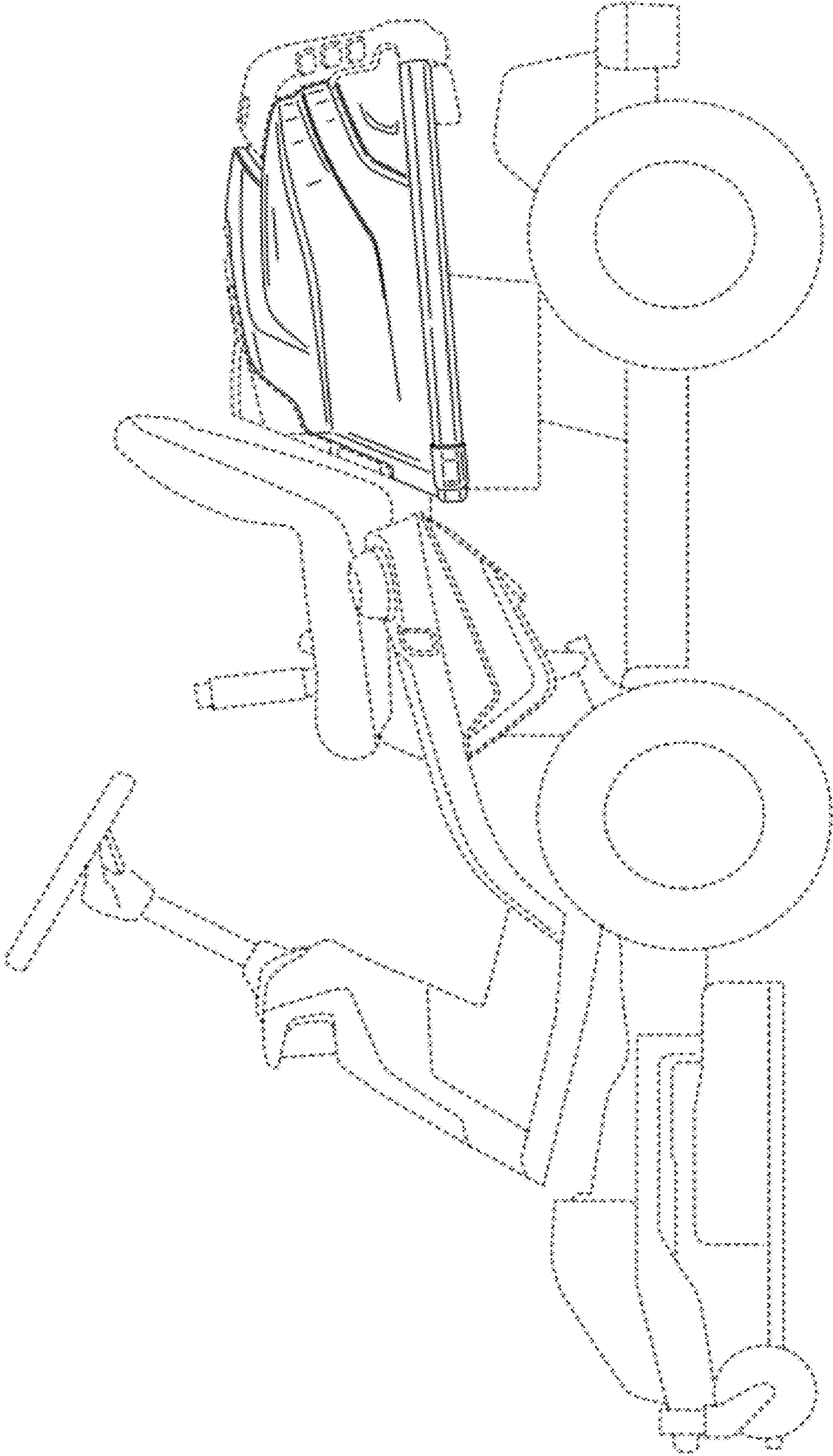


FIG. 4

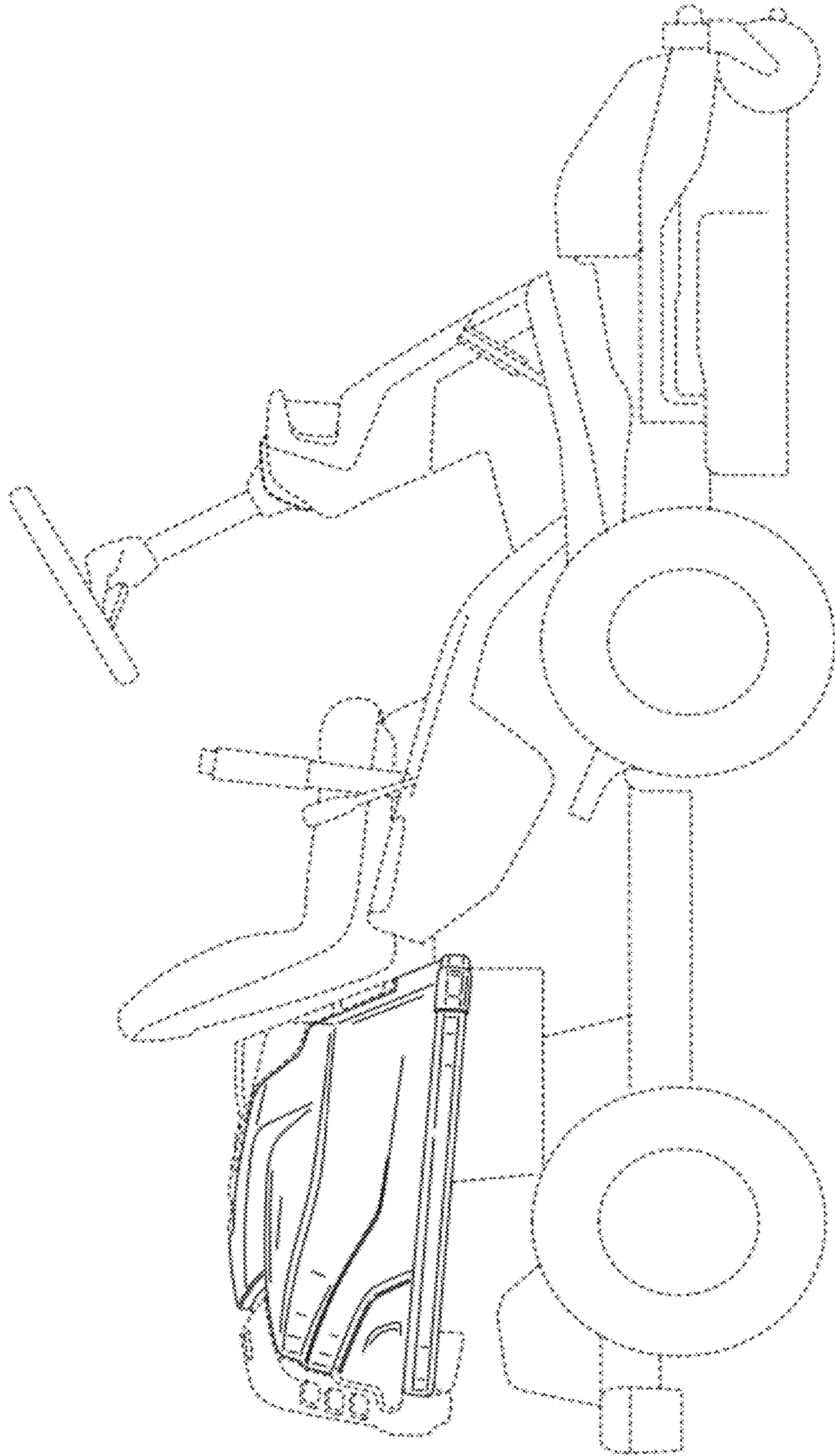


FIG. 5

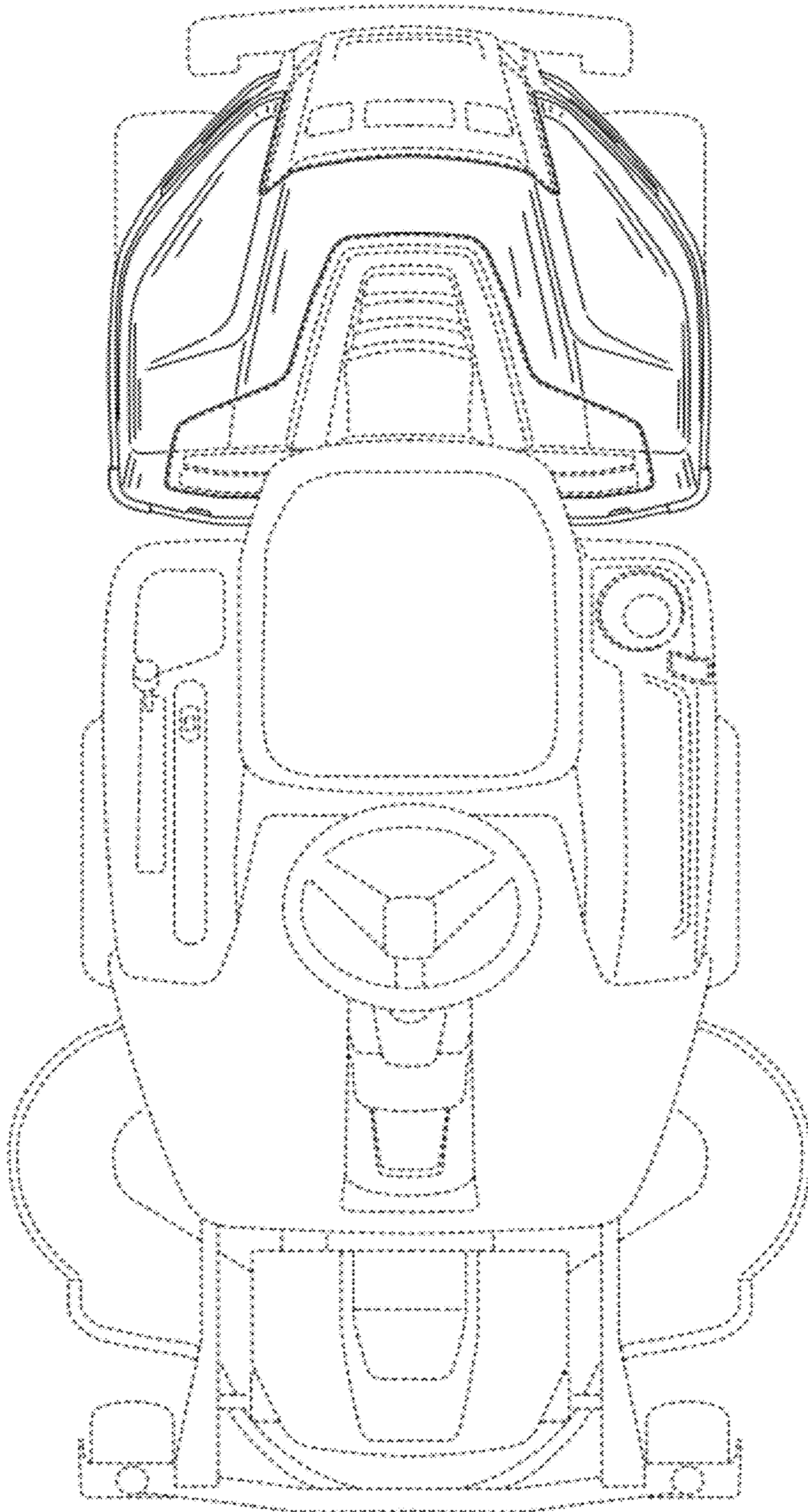


FIG. 6

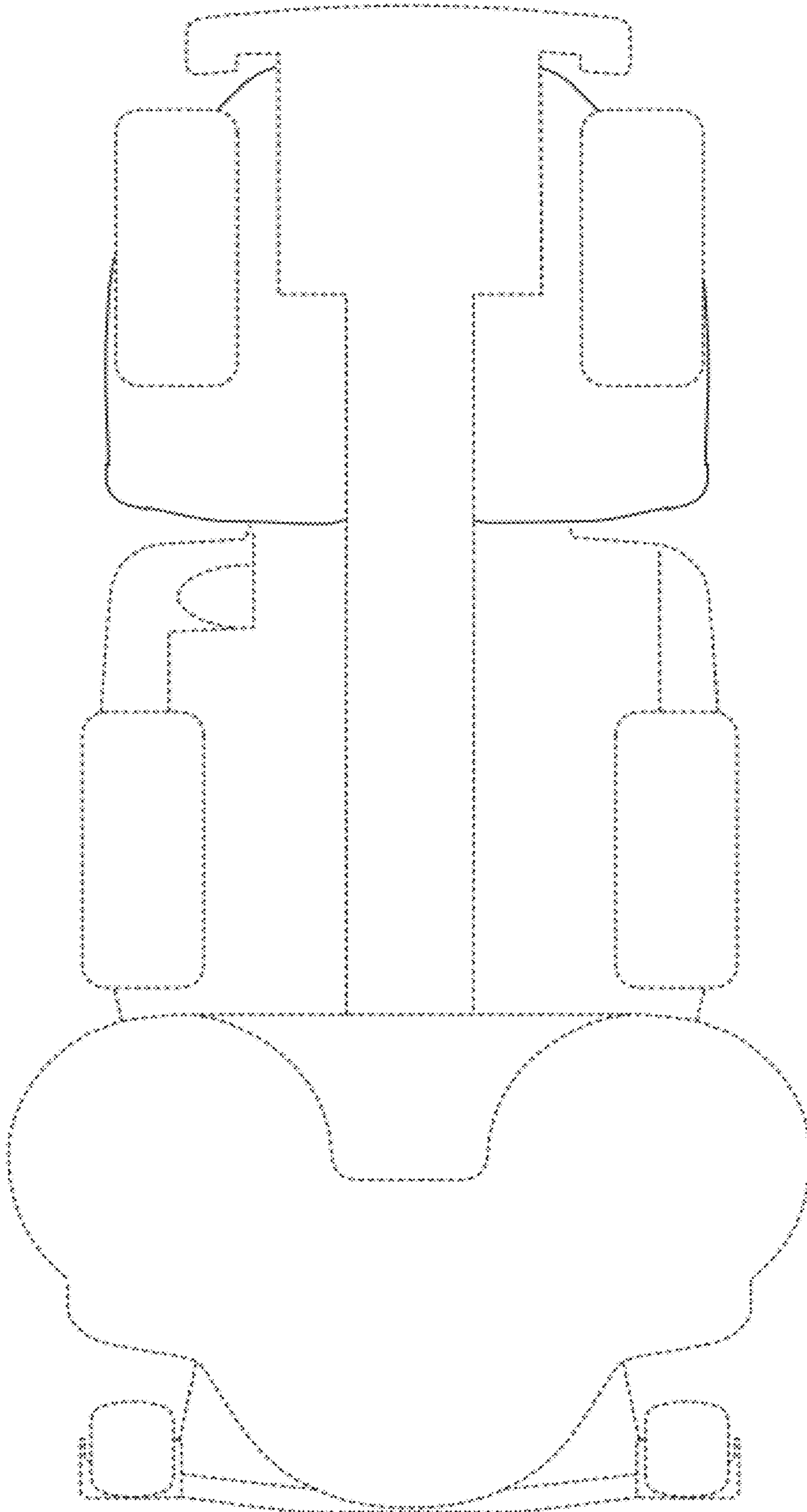


FIG. 7