



US00D656964S

(12) **United States Design Patent**
Näslund

(10) **Patent No.:** **US D656,964 S**

(45) **Date of Patent:** **** Apr. 3, 2012**

(54) **LAWN CARE VEHICLE SIDE VENTS**

(75) Inventor: **Jens Näslund**, Bromma (SE)

(73) Assignee: **Husqvarna AB**, Huskvarna (SE)

(**) Term: **14 Years**

(21) Appl. No.: **29/405,662**

(22) Filed: **Nov. 4, 2011**

(51) **LOC (9) Cl.** **15-03**

(52) **U.S. Cl.** **D15/17; D15/15**

(58) **Field of Classification Search** D15/10,
D15/14-17, 22, 28, 33; 56/12.1, 12.7, 12.8,
56/13.4, 13.7, 16.7, 17.1, 17.5, 202, 255,
56/320.1-320.2; 180/89.1, 311
See application file for complete search history.

| | | | | |
|--------------|---------|------------------|-------|--------|
| D393,267 S * | 4/1998 | Wolf | | D15/17 |
| D393,863 S * | 4/1998 | Wolf | | D15/17 |
| D397,121 S * | 8/1998 | Smith | | D15/15 |
| D398,311 S * | 9/1998 | Smith | | D15/15 |
| D409,628 S * | 5/1999 | Shimamura et al. | | D15/15 |
| D433,425 S * | 11/2000 | SurrIDGE et al. | | D15/17 |
| D440,233 S * | 4/2001 | Smith | | D15/17 |
| D442,972 S * | 5/2001 | Wolf | | D15/15 |
| D447,153 S * | 8/2001 | Hornung | | D15/17 |
| D447,491 S * | 9/2001 | Goebert et al. | | D15/17 |
| D448,036 S * | 9/2001 | Goebert et al. | | D15/17 |
| D450,330 S * | 11/2001 | Katoh et al. | | D15/15 |
| D455,156 S * | 4/2002 | Rittfeldt | | D15/10 |
| D495,718 S * | 9/2004 | Higashikawa | | D15/15 |
| D512,444 S * | 12/2005 | Ayers et al. | | D15/15 |
| D624,562 S * | 9/2010 | Neeley et al. | | D15/17 |

* cited by examiner

Primary Examiner — Mark Goodwin

(74) *Attorney, Agent, or Firm* — Nelson Mullins; Riley & Scarborough LLP

(56) **References Cited**

U.S. PATENT DOCUMENTS

| | | | | |
|--------------|---------|------------------|-------|--------|
| D311,921 S * | 11/1990 | Popelier et al. | | D15/15 |
| D327,484 S * | 6/1992 | Flenniken et al. | | D15/17 |
| D338,896 S * | 8/1993 | Flenniken et al. | | D15/17 |
| D339,357 S * | 9/1993 | Teal et al. | | D15/17 |
| D340,461 S * | 10/1993 | Patterson et al. | | D15/15 |
| D340,936 S * | 11/1993 | Matsuda et al. | | D15/15 |
| D344,959 S * | 3/1994 | Patterson et al. | | D15/17 |
| D344,960 S * | 3/1994 | Patterson et al. | | D15/17 |
| D362,447 S * | 9/1995 | Lamb | | D15/15 |
| D386,189 S * | 11/1997 | Wolf | | D15/15 |
| D387,358 S * | 12/1997 | Wolf | | D15/15 |
| D387,359 S * | 12/1997 | Wolf | | D15/17 |
| D389,160 S * | 1/1998 | Wolf | | D15/17 |
| D392,981 S * | 3/1998 | Smith | | D15/15 |
| D392,982 S * | 3/1998 | Smith | | D15/17 |

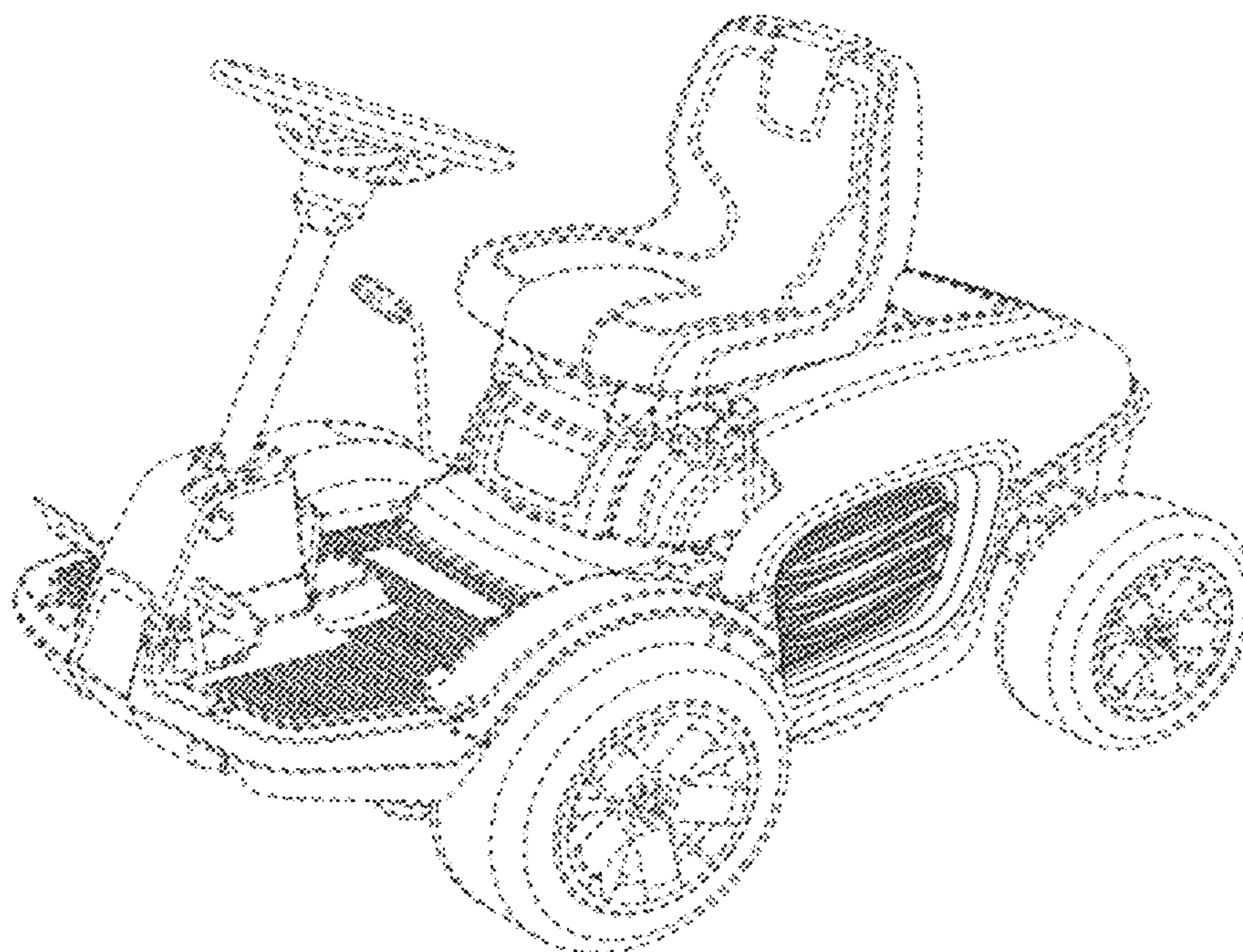
(57) **CLAIM**

The ornamental design for lawn care vehicle side vents, as shown and described.

DESCRIPTION

FIG. 1 is a top perspective view of a lawn care vehicle side vents showing my new design; FIG. 2 is a right side view of the side vents of FIG. 1; and, FIG. 3 is a left side view of the side vents of FIG. 1. The broken lines of FIGS. 1-3 are illustrative of the visible environmental structure of the lawn care vehicle body and form no part of the claimed design.

1 Claim, 3 Drawing Sheets



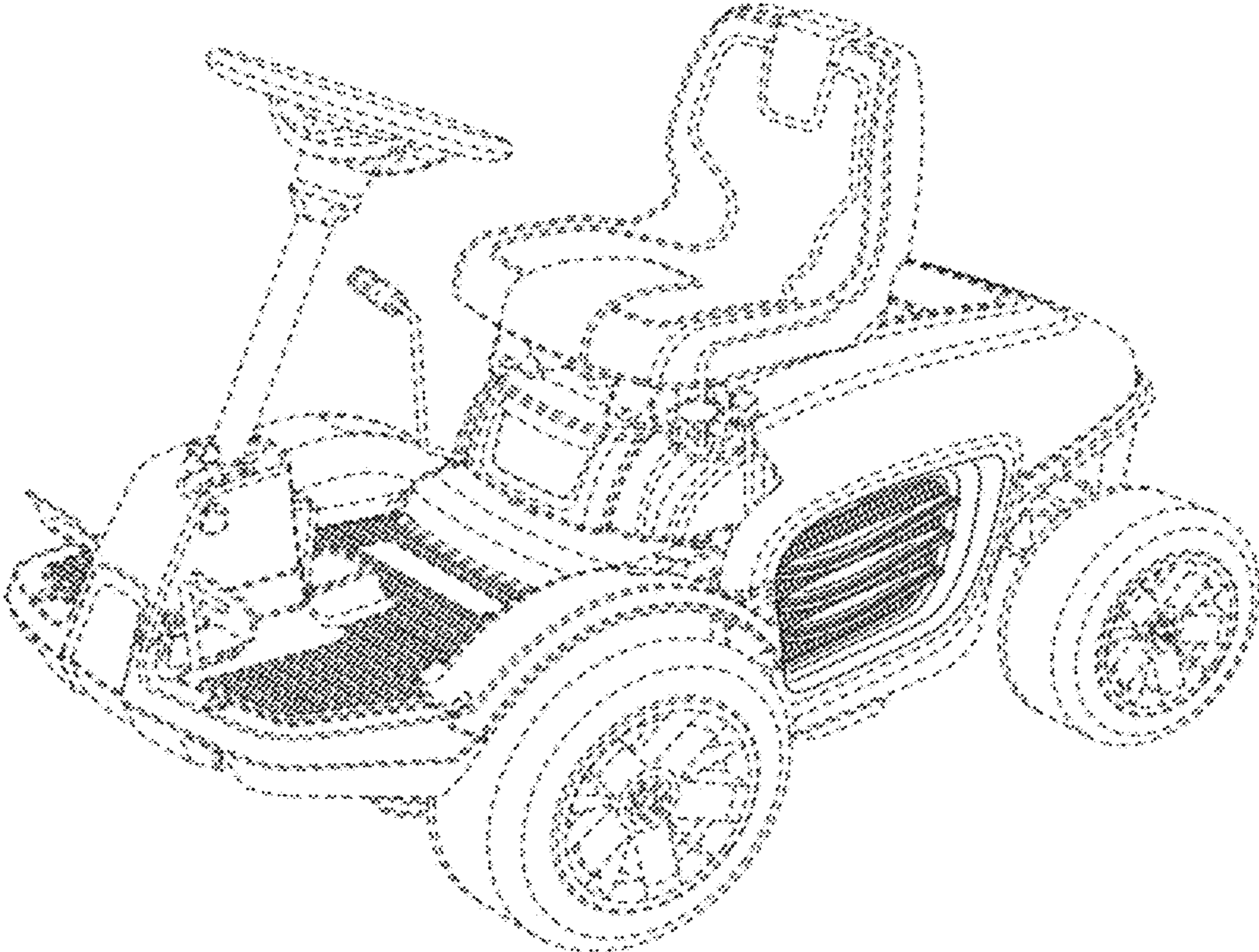


FIG. 1

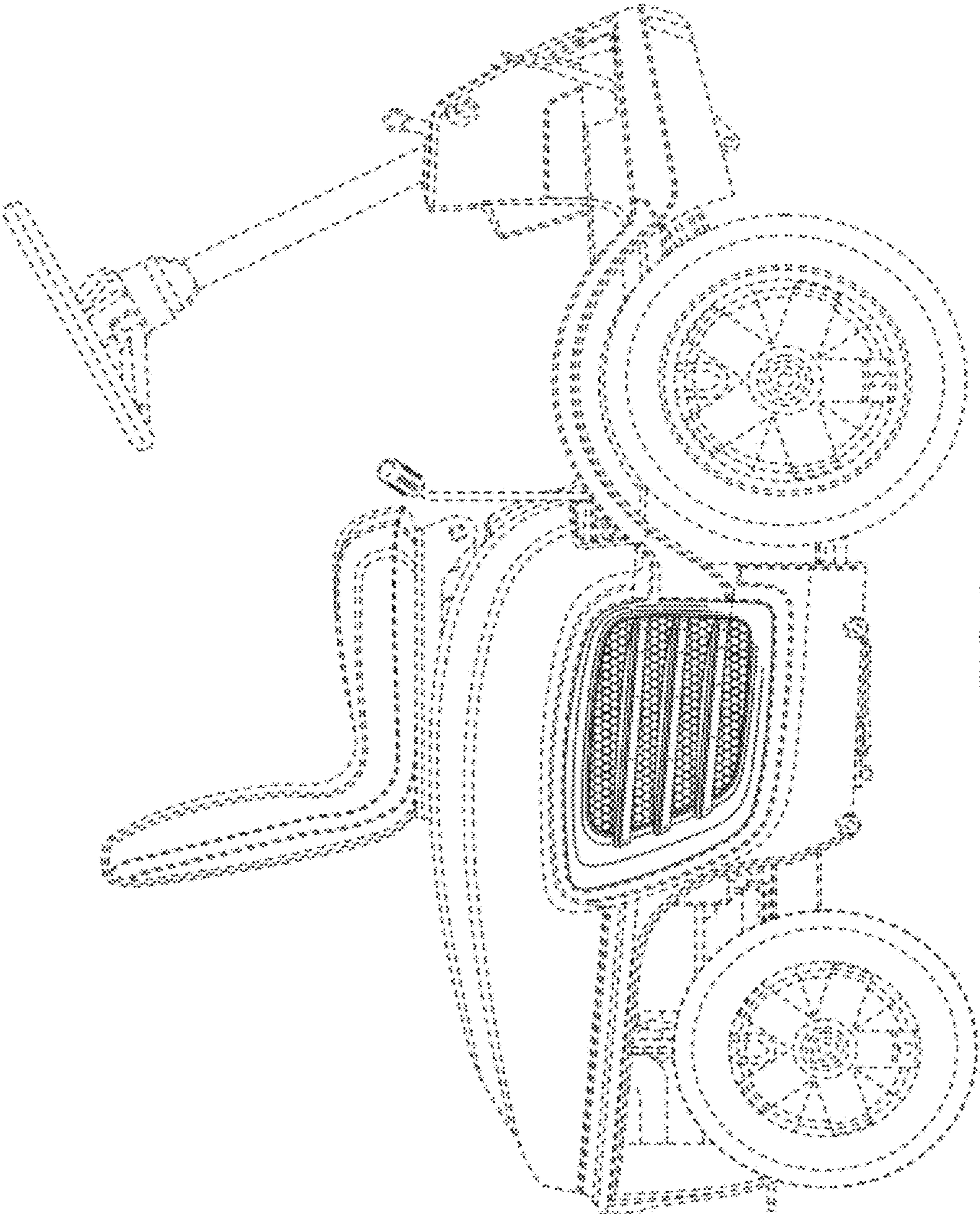


FIG. 2

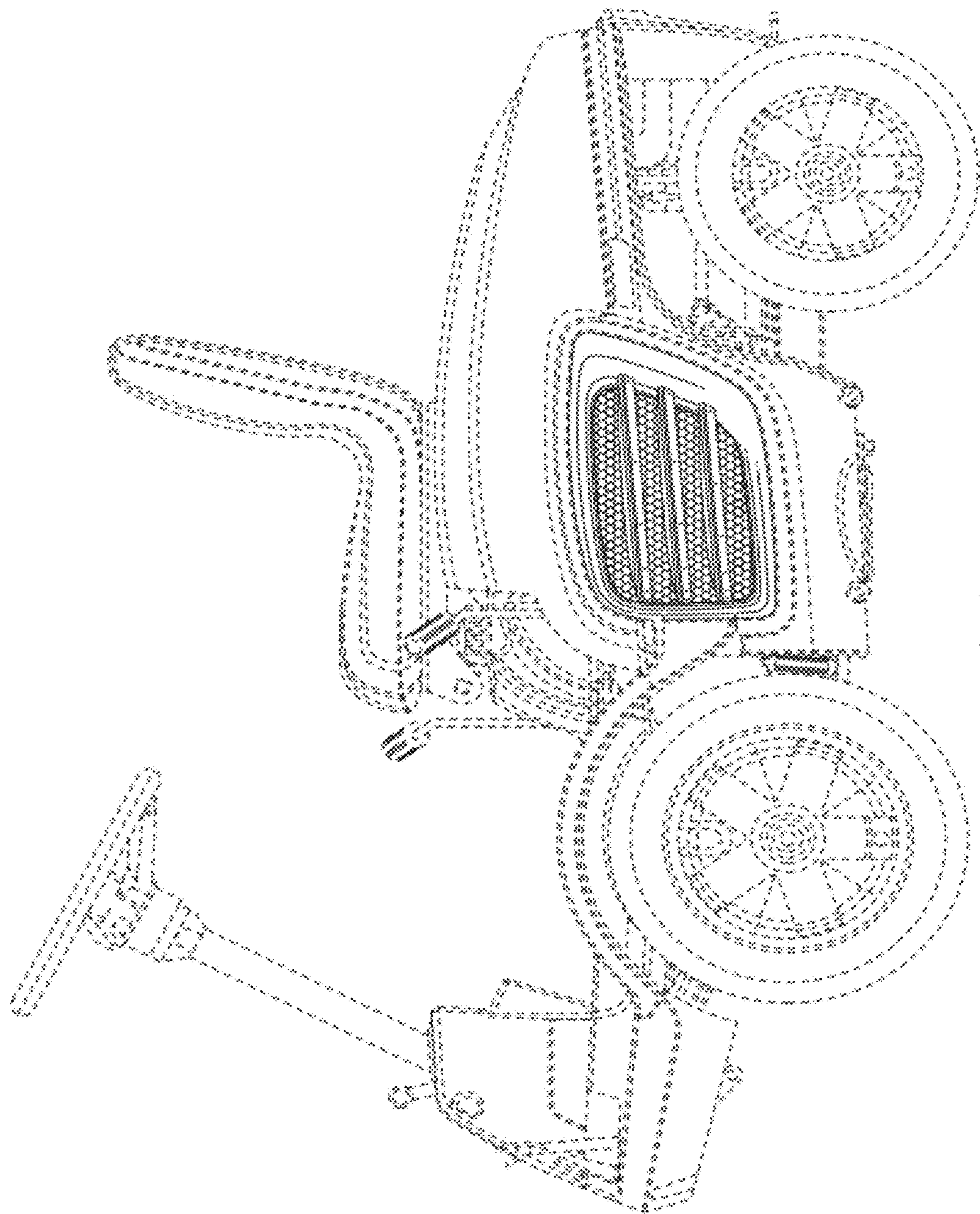


FIG. 3

UNITED STATES PATENT AND TRADEMARK OFFICE
CERTIFICATE OF CORRECTION

PATENT NO. : D656,964 S
APPLICATION NO. : 29/405662
DATED : April 3, 2012
INVENTOR(S) : Näslund Jens

Page 1 of 1

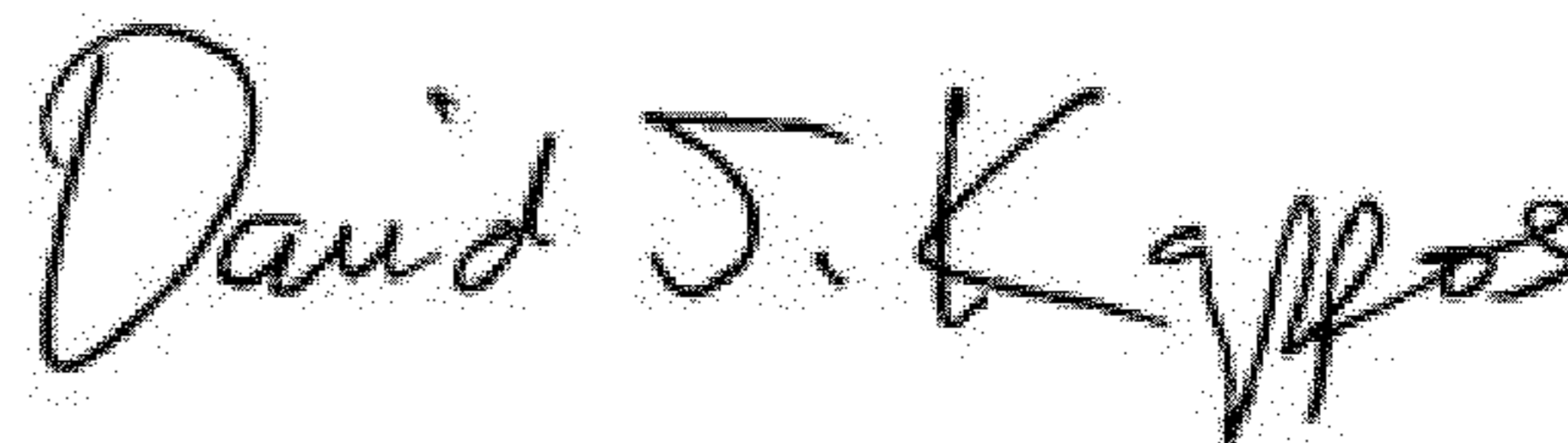
It is certified that error appears in the above-identified patent and that said Letters Patent is hereby corrected as shown below:

Title page, below Item (22), add:

--(30) Foreign Application Priority Data

May 25, 2011 (EM) 001868308--

Signed and Sealed this
Third Day of July, 2012

A handwritten signature in black ink that reads "David J. Kappos". The signature is written in a cursive, slightly slanted style.

David J. Kappos
Director of the United States Patent and Trademark Office