

US00D656956S

(12) **United States Design Patent**  
**Lee et al.**

(10) **Patent No.:** **US D656,956 S**  
(45) **Date of Patent:** **\*\* Apr. 3, 2012**

- (54) **BLU-RAY DISK PLAYER**
- (75) Inventors: **Min-Hee Lee**, Seoul (KR); **Yeon-Moo Chung**, Seoul (KR)
- (73) Assignee: **Samsung Electronics Co., Ltd.**, Suwon, Kyunggi-Do (KR)
- (\*\*) Term: **14 Years**
- (21) Appl. No.: **29/373,822**
- (22) Filed: **May 26, 2011**
- (30) **Foreign Application Priority Data**

- D526,981 S 8/2006 Kim et al.
- D528,525 S 9/2006 Cho et al.
- D529,464 S 10/2006 Lim et al.
- D529,885 S 10/2006 Park et al.
- D530,692 S 10/2006 Lim et al.
- D530,693 S 10/2006 Park et al.
- D530,694 S 10/2006 Park
- D530,695 S 10/2006 Park
- D531,153 S 10/2006 Lim et al.
- D533,159 S 12/2006 Kim et al.
- D536,682 S 2/2007 Lim et al.
- D536,683 S 2/2007 Lim et al.
- D537,425 S 2/2007 Park
- D538,768 S 3/2007 Lim et al.
- D539,250 S 3/2007 Park
- D539,770 S 4/2007 Park
- D539,771 S 4/2007 Park
- D540,286 S 4/2007 Lim

(Continued)

Feb. 14, 2011 (KR) ..... 30-2011-0005600

- (51) **LOC (9) Cl.** ..... **14-01**
- (52) **U.S. Cl.** ..... **D14/500**
- (58) **Field of Classification Search** ..... D14/496, D14/498-511, 167-168, 188, 197-198; 360/99.02, 360/99.07; 369/75.11, 75.21, 77.11, 77.21; 720/601, 612, 619, 649, 655; 455/344, 347-351  
See application file for complete search history.

(56) **References Cited**

**U.S. PATENT DOCUMENTS**

- D519,960 S 5/2006 Kwon et al.
- D519,962 S 5/2006 Kim et al.
- D519,963 S 5/2006 Lim et al.
- D520,478 S 5/2006 Kwon et al.
- D520,479 S 5/2006 Kwon et al.
- D520,480 S 5/2006 Kwon et al.
- D520,481 S 5/2006 Lim et al.
- D520,973 S 5/2006 Kwon et al.
- D520,974 S 5/2006 Lim
- D520,975 S 5/2006 Kim et al.
- D521,965 S 5/2006 Ko et al.
- D521,966 S 5/2006 Kim et al.
- D521,967 S 5/2006 Lim
- D522,986 S 6/2006 Kwon et al.
- D523,832 S 6/2006 Kwon et al.
- D525,958 S 8/2006 Kwon et al.
- D526,294 S 8/2006 Kwon et al.
- D526,979 S 8/2006 Lim
- D526,980 S 8/2006 Kwon et al.

**OTHER PUBLICATIONS**

U.S. Appl. No. 29/372,108, Applicant: Ju-Won Cho, filed Oct. 15, 2010 entitled Blu-Ray Disk Player.

(Continued)

*Primary Examiner* — Nanda Bondade

(74) *Attorney, Agent, or Firm* — Flynn, Thiel, Boutell & Tanis, P.C.

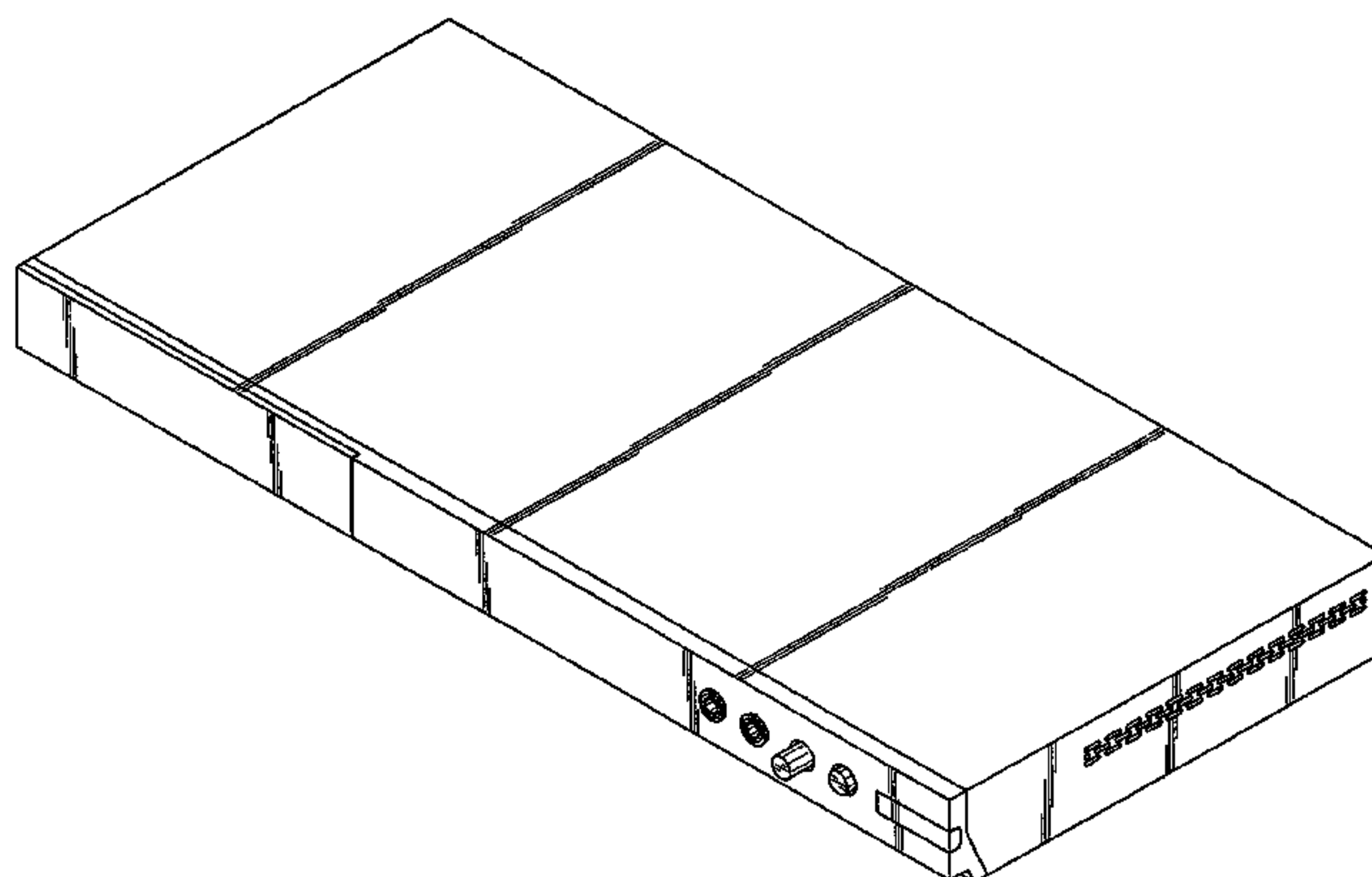
(57) **CLAIM**

The ornamental design for a blu-ray disk player, as shown and described.

**DESCRIPTION**

FIG. 1 is a top front perspective view of a blu-ray disk player showing our new design;  
FIG. 2 is a front elevational view thereof;  
FIG. 3 is a rear elevational view thereof;  
FIG. 4 is a left side elevational view thereof;  
FIG. 5 is a right side elevational view thereof;  
FIG. 6 is a top plan view thereof; and,  
FIG. 7 is a bottom plan view thereof.

**1 Claim, 3 Drawing Sheets**



# US D656,956 S

Page 2

---

## U.S. PATENT DOCUMENTS

D551,198 S 9/2007 Kim  
D552,053 S 10/2007 Kim  
D553,109 S 10/2007 Kim et al.  
D560,179 S 1/2008 Cho et al.  
D560,180 S 1/2008 Park et al.  
D560,181 S 1/2008 Park  
D560,182 S 1/2008 Park  
D560,627 S 1/2008 Park et al.  
D561,141 S 2/2008 Cho et al.  
D567,203 S 4/2008 Park  
D567,204 S 4/2008 Park  
D576,581 S 9/2008 Son et al.  
D578,091 S 10/2008 Cho et al.  
D587,281 S 2/2009 Kim et al.  
D587,282 S 2/2009 Kim et al.  
D595,736 S 7/2009 Son et al.  
D596,197 S 7/2009 Cho et al.  
D603,868 S 11/2009 Cho et al.  
D612,869 S 3/2010 Cho et al.  
D612,870 S 3/2010 Cho et al.  
D613,308 S 4/2010 Cho et al.  
D613,309 S 4/2010 Cho et al.  
D615,994 S 5/2010 Chung et al.  
D617,813 S 6/2010 Cho  
D623,659 S 9/2010 Chung  
D624,559 S 9/2010 Chung

D632,302 S 2/2011 Kim  
D632,303 S 2/2011 Kim  
D633,098 S 2/2011 Kim et al.  
D637,203 S 5/2011 Kim

## OTHER PUBLICATIONS

U.S. Appl. No. 29/373,454, Applicant: Yeon-Moo Chung et al., filed Apr. 12, 2011 entitled Blu-Ray Player.  
U.S. Appl. No. 29/373,458, Applicant: Yeon-Moo Chung et al., filed Apr. 12, 2011 entitled Blu-Ray Disk Player.  
U.S. Appl. No. 29/373,459, Applicant: Yeon-Moo Chung et al., filed Apr. 12, 2011 entitled Blu-Ray Disk Player.  
U.S. Appl. No. 29/373,460, Applicant: Yeon-Moo Chung et al., filed Apr. 12, 2011 entitled Blu-Ray Disk Player.  
U.S. Appl. No. 29/373,473, Applicant: Yeon-Moo Chung, filed Apr. 13, 2011 entitled Blu-Ray Disk Player.  
U.S. Appl. No. 29/373,477, Applicant: Seok-Won Hong et al., filed Apr. 13, 2011 entitled Blu-Ray Disk Player With A/V Receiver.  
U.S. Appl. No. 29/373,821, Applicant: Yeon-Moo Chung et al., filed May 26, 2011 entitled Blu-Ray Disk Player.  
U.S. Appl. No. 29/373,823, Applicant: Yeon-Moo Chung et al., filed May 26, 2011 entitled Blu-Ray Disk Player.  
U.S. Appl. No. 29/373,834, Applicant: Min-Hee Lee et al., filed May 27, 2011 entitled DVD Player.  
U.S. Appl. No. 29/373,835, Applicant: Min-Hee Lee et al., filed May 27, 2011 entitled DVD Player.

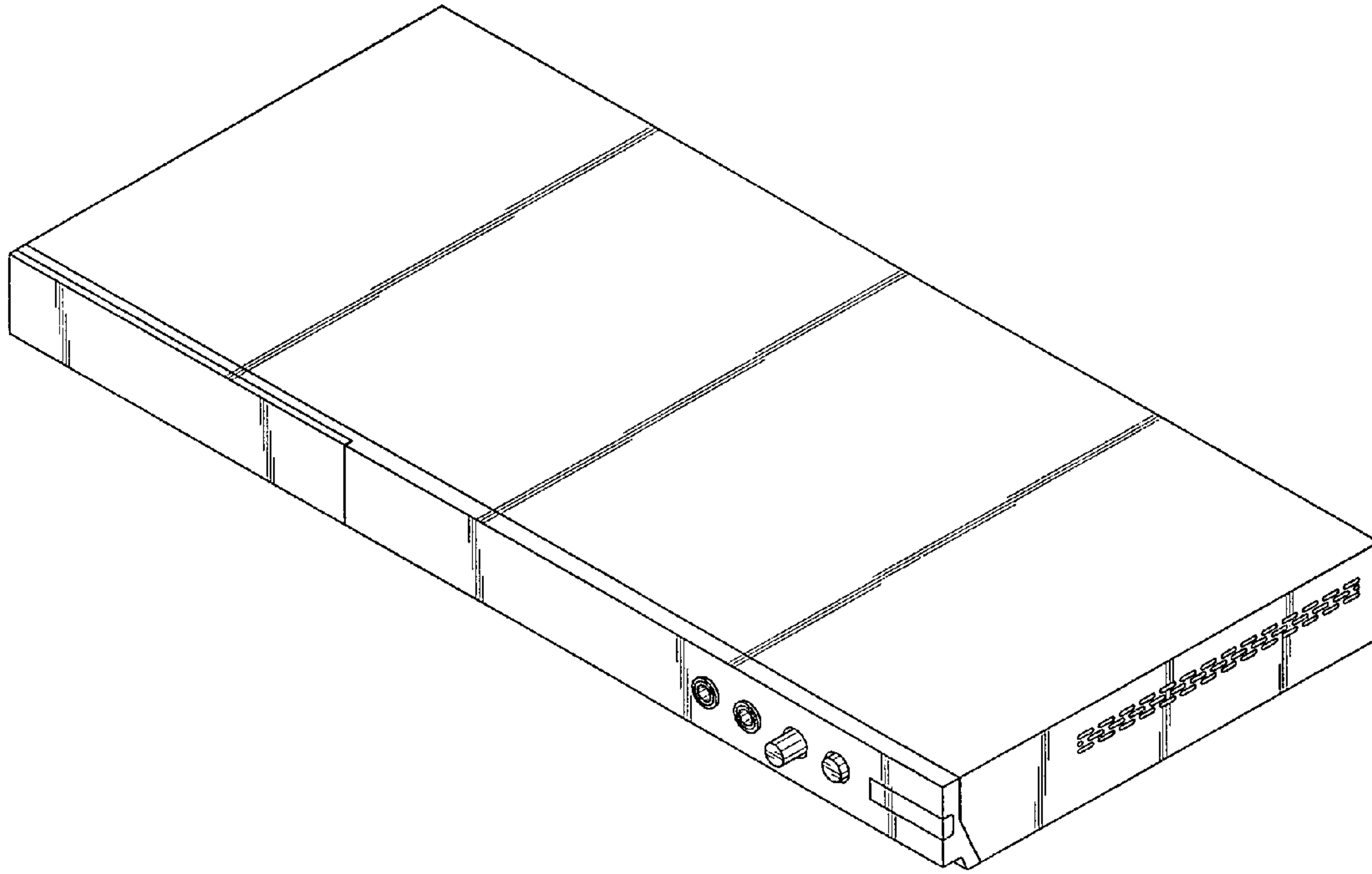


FIG.1

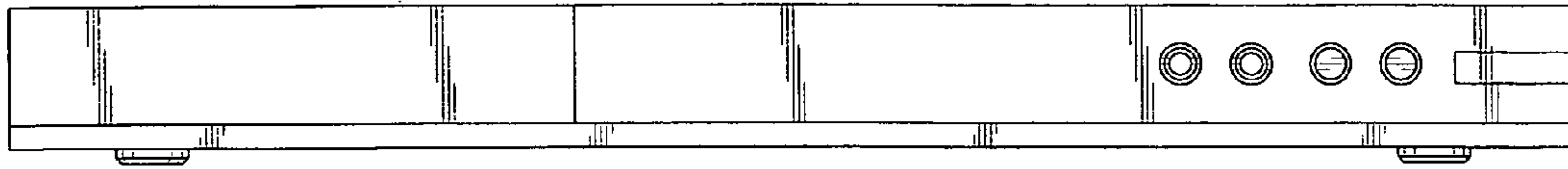


FIG. 2

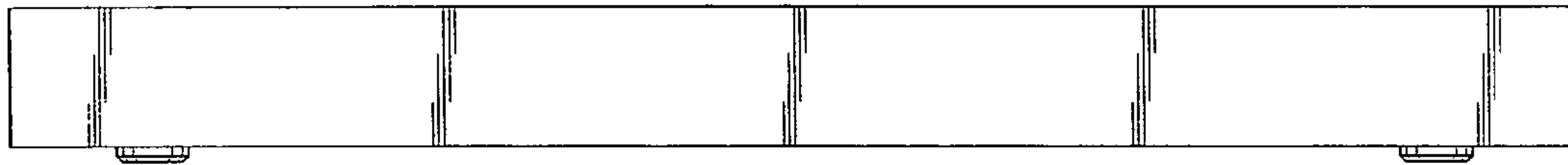


FIG. 3

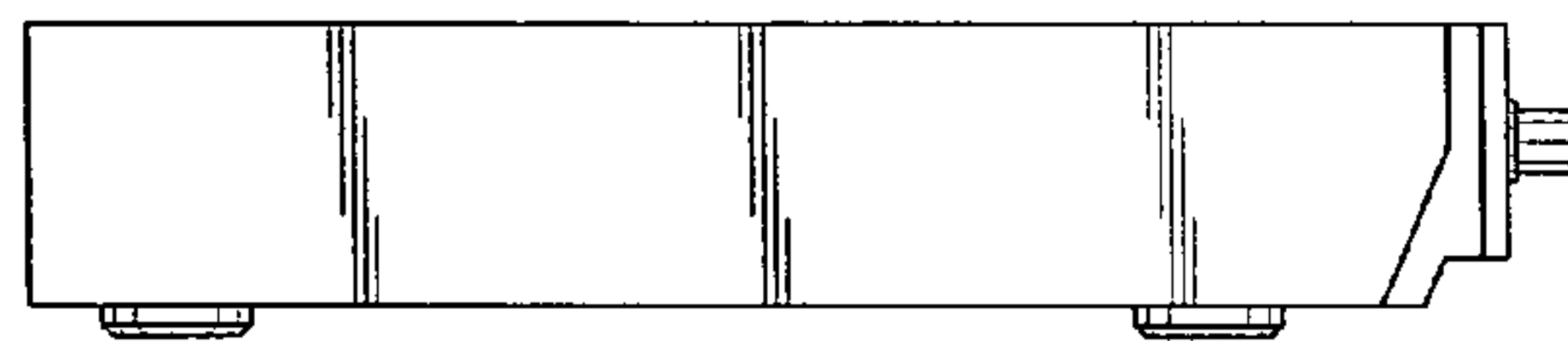


FIG. 4

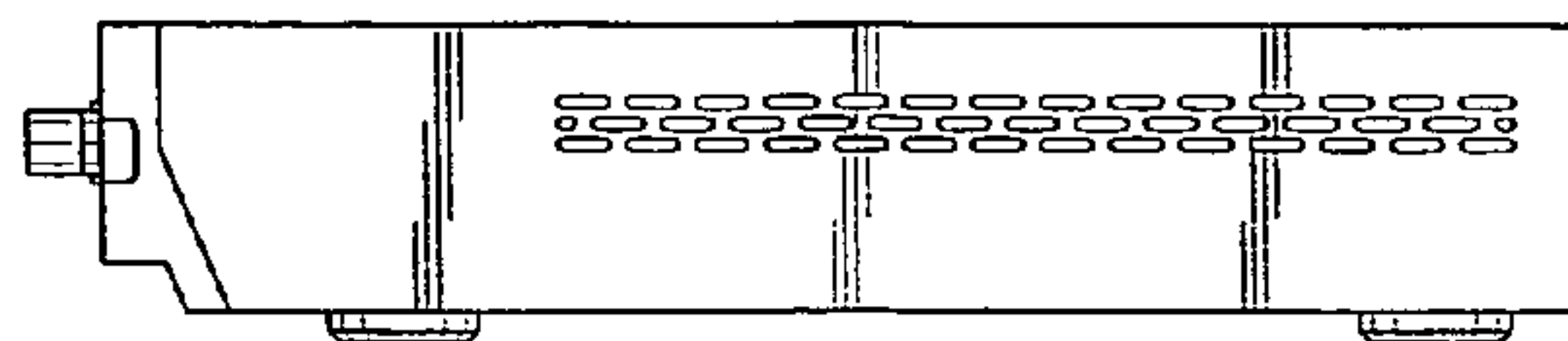


FIG. 5

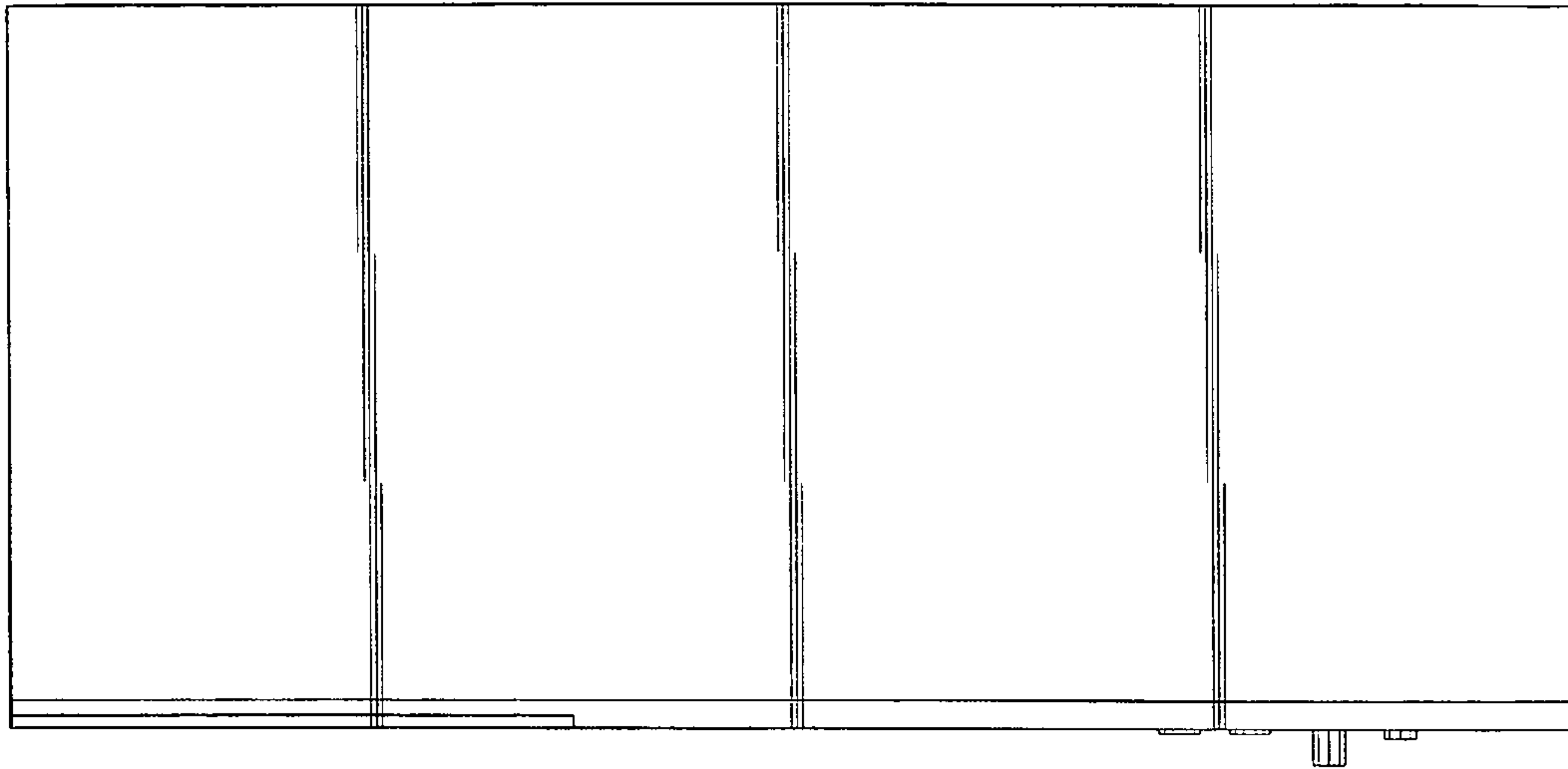


FIG. 6

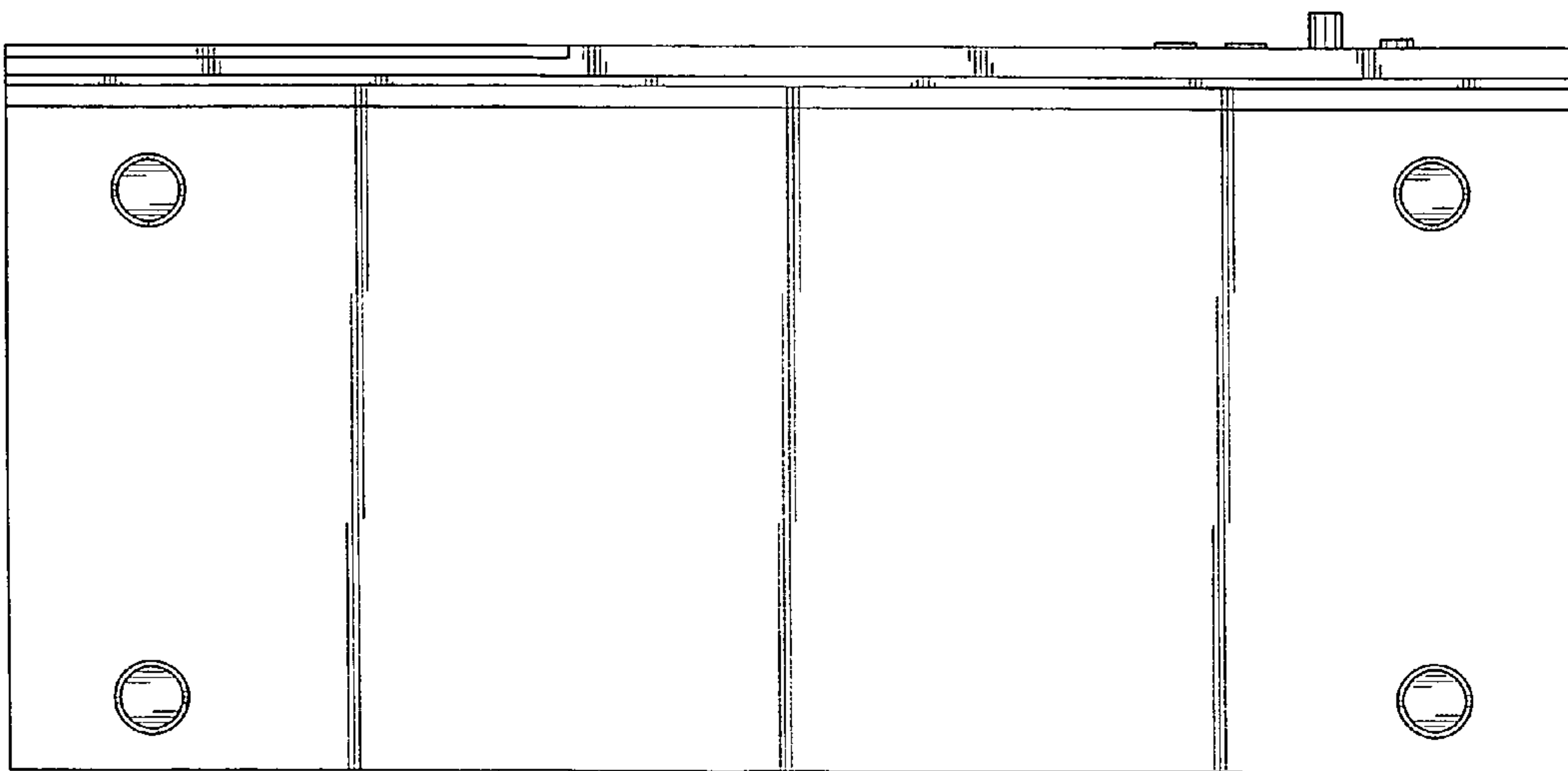


FIG. 7