



US00D656955S

(12) **United States Design Patent**  
**Akana et al.**

(10) **Patent No.:** **US D656,955 S**  
(45) **Date of Patent:** **\*\* Apr. 3, 2012**

(54) **ELECTRONIC DEVICE**

370/342–344; 369/1, 2, 6–12; 463/43–47;  
273/148 B

(75) Inventors: **Jody Akana**, San Francisco, CA (US);  
**Bartley K. Andre**, Menlo Park, CA  
(US); **Jeremy Bataillou**, San Francisco,  
CA (US); **Daniel J. Coster**, San  
Francisco, CA (US); **Daniele De Iuliis**,  
San Francisco, CA (US); **Evans**  
**Hankey**, San Francisco, CA (US);  
**Richard P. Howarth**, San Francisco, CA  
(US); **Jonathan P. Ive**, San Francisco,  
CA (US); **Duncan Robert Kerr**, San  
Francisco, CA (US); **Shin Nishibori**,  
Portola Valley, CA (US); **Matthew Dean**  
**Rohrbach**, San Francisco, CA (US);  
**Peter Russell-Clarke**, San Francisco,  
CA (US); **Christopher J. Stringer**,  
Woodside, CA (US); **Eugene Antony**  
**Whang**, San Francisco, CA (US); **Rico**  
**Zorkendorfer**, San Francisco, CA (US)

See application file for complete search history.

(56) **References Cited**

U.S. PATENT DOCUMENTS

D141,980 S	8/1945	Holland et al.
4,165,554 A	8/1979	Faget
4,359,220 A	11/1982	Morrison et al.
D303,137 S	8/1989	Brown
D306,519 S	3/1990	Nakata
D315,159 S	3/1991	Hino
5,128,829 A *	7/1992	Loew ..... 361/679.3
D344,511 S	2/1994	Ansai et al.
D345,304 S	3/1994	Leader

(Continued)

OTHER PUBLICATIONS

U.S. Appl. No. 29/391/539, inventors Akana et al., filed on May 10, 2011.

*Primary Examiner* — Prabhakar Deshmukh

(74) *Attorney, Agent, or Firm* — Sterne, Kessler, Goldstein & Fox PLLC

(73) Assignee: **Apple Inc.**, Cupertino, CA (US)

(\*\*) Term: **14 Years**

(21) Appl. No.: **29/404,063**

(22) Filed: **Oct. 14, 2011**

**Related U.S. Application Data**

(63) Continuation of application No. 29/391,539, filed on May 10, 2011, now Pat. No. Des. 647,921, which is a continuation of application No. 29/367,998, filed on Aug. 16, 2010, now Pat. No. Des. 638,443.

(51) **LOC (9) Cl.** ..... **14-03**

(52) **U.S. Cl.** ..... **D14/496; D14/203.3**

(58) **Field of Classification Search** ..... D14/496,  
D14/401, 435, 474, 483, 217, 137, 138, 160,  
D14/168, 356, 203.1–203.8, 507; 345/156,  
345/169, 173–179, 905; 715/727–729, 864;  
710/1, 5, 8; 713/1, 600; 455/1.1, 1.7, 73,  
455/344–347, 93, 95, 3.01–3.06, 550.1, 573.1;

(57) **CLAIM**

The ornamental design for an electronic device, as shown and described.

**DESCRIPTION**

FIG. 1 is a front bottom perspective view of an electronic device showing our new design;

FIG. 2 is a rear bottom perspective view thereof;

FIG. 3 is a rear top perspective view thereof;

FIG. 4 is a front top perspective view thereof;

FIG. 5 is a front view thereof;

FIG. 6 is a rear view thereof;

FIG. 7 is a bottom view thereof;

FIG. 8 is a top view thereof;

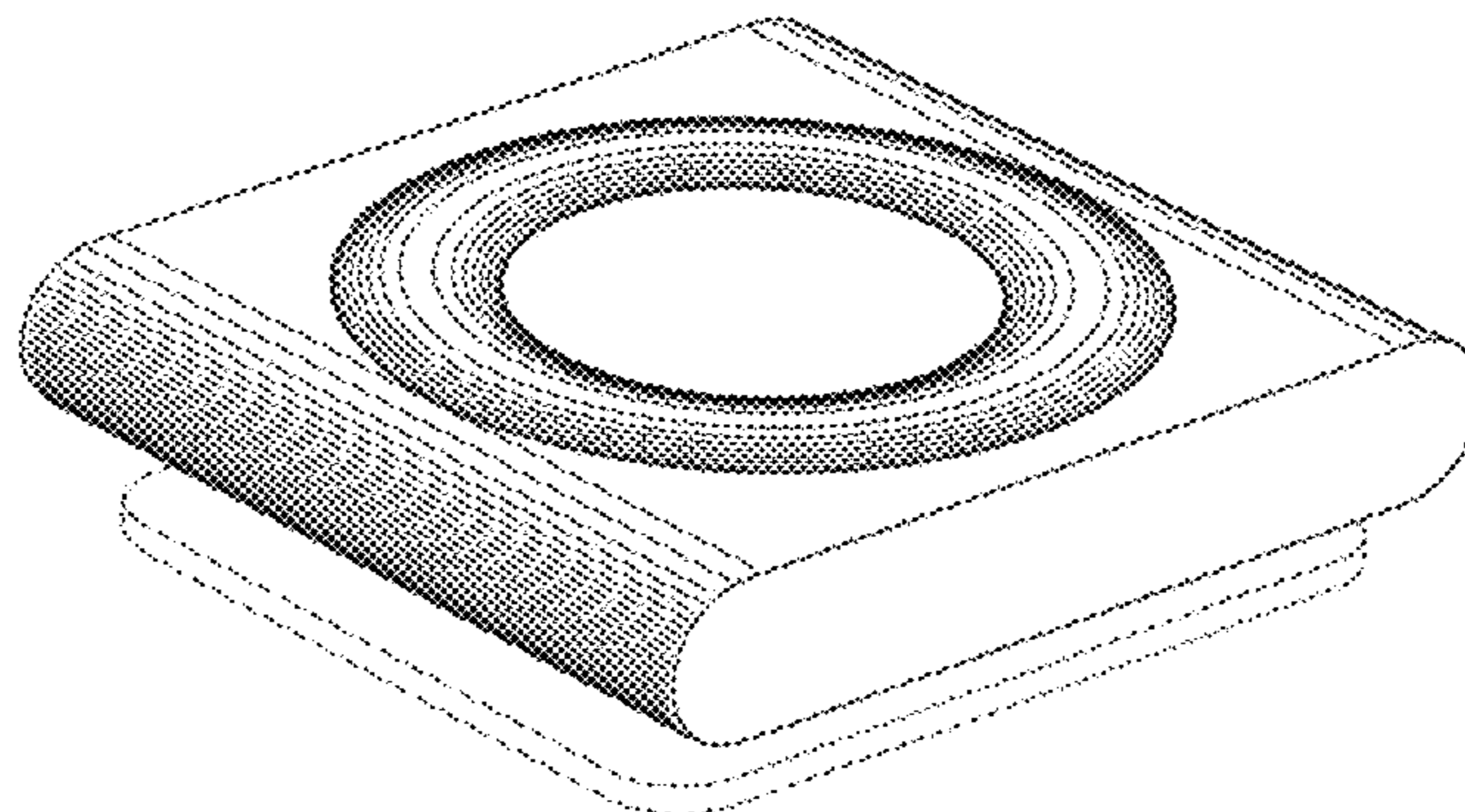
FIG. 9 is a side view thereof; and,

FIG. 10 is another side view thereof.

The shade lines in the Figures show contour and not surface ornamentation.

The broken lines in the Figures show portions of the electronic device which form no part of the claimed design.

**1 Claim, 8 Drawing Sheets**



# US D656,955 S

Page 2

## U.S. PATENT DOCUMENTS

D410,463 S	6/1999	Hattori		D560,212 S	1/2008	Andre et al.	
D411,767 S	7/1999	Keller		D560,228 S	1/2008	Andre et al.	
6,122,526 A *	9/2000	Parulski et al.	455/556.1	D563,434 S *	3/2008	Dai	D14/496
D432,523 S	10/2000	Grinkus et al.		D566,101 S	4/2008	Griffin et al.	
D441,735 S	5/2001	Katayama		D568,338 S	5/2008	Andre et al.	
6,254,477 B1	7/2001	Sasaki et al.		D569,389 S	5/2008	Andre et al.	
D446,499 S	8/2001	Andre et al.		D570,876 S	6/2008	Lee	
D454,110 S	3/2002	Andre et al.		D574,014 S	7/2008	Dai	
6,354,477 B1 *	3/2002	Trummer	224/575	D575,304 S	8/2008	Andre et al.	
D467,891 S	12/2002	Tokioka et al.		D577,008 S	9/2008	Andre et al.	
D473,207 S	4/2003	Tanio		D577,990 S	10/2008	Andre et al.	
6,567,011 B1 *	5/2003	Young et al.	340/12.28	D579,952 S	11/2008	Yamada	
6,595,860 B1 *	7/2003	Yamamoto et al.	463/43	D580,953 S	11/2008	Andre et al.	
D478,076 S *	8/2003	Hong	D14/345	D585,077 S	1/2009	Sheba et al.	
D480,372 S	10/2003	Chen et al.		D586,740 S	2/2009	Song	
D503,409 S	3/2005	Wong et al.		D586,741 S	2/2009	Song	
D506,476 S	6/2005	Andre et al.		D588,545 S	3/2009	Andre et al.	
D512,977 S	12/2005	Chan		D588,610 S	3/2009	Andre et al.	
D515,545 S	2/2006	Griffin		D589,497 S	3/2009	Andre et al.	
D516,579 S	3/2006	Nakamura		D589,530 S	3/2009	Andre et al.	
7,013,164 B2	3/2006	Lin		D589,963 S	4/2009	Sheba et al.	
D520,502 S	5/2006	Xu et al.		D590,826 S *	4/2009	Andre et al.	D14/341
D521,460 S	5/2006	Shimizu		D591,766 S	5/2009	Andre et al.	
D529,044 S	9/2006	Andre et al.		D592,677 S	5/2009	Sheba et al.	
D531,157 S	10/2006	Lheem		D593,994 S	6/2009	Andre et al.	
D534,184 S	12/2006	Leija et al.		D597,090 S	7/2009	Bemelmans	
D534,545 S	1/2007	Leija et al.		D597,558 S	8/2009	Andre et al.	
D535,308 S	1/2007	Andre et al.		D601,172 S	9/2009	Andre et al.	
D535,650 S	1/2007	Wong et al.		D606,040 S	12/2009	Andre et al.	
D538,795 S	3/2007	Wong et al.		D608,342 S	1/2010	Andre et al.	
D539,814 S	4/2007	Andre et al.		D615,069 S	5/2010	Andre et al.	
D542,784 S	5/2007	Franck et al.		D616,899 S	6/2010	Andre et al.	
D551,680 S	9/2007	Andre et al.		D618,206 S	6/2010	Andre et al.	
D555,171 S *	11/2007	Dai	D14/496	D618,207 S	6/2010	Andre et al.	
D556,155 S	11/2007	Andre et al.		D627,367 S	11/2010	Andre et al.	
D556,193 S	11/2007	Laituri et al.		D629,789 S	12/2010	Andre et al.	
7,310,083 B2	12/2007	Hagiwara et al.		D638,030 S	5/2011	Akana et al.	
D558,783 S	1/2008	Andre et al.		D638,443 S	5/2011	Akana et al.	
D559,860 S	1/2008	Andre et al.		D638,854 S	5/2011	Andre et al.	
D559,861 S	1/2008	Andre et al.		2005/0049015 A1	3/2005	Wang	
D560,166 S	1/2008	Andre et al.					

\* cited by examiner

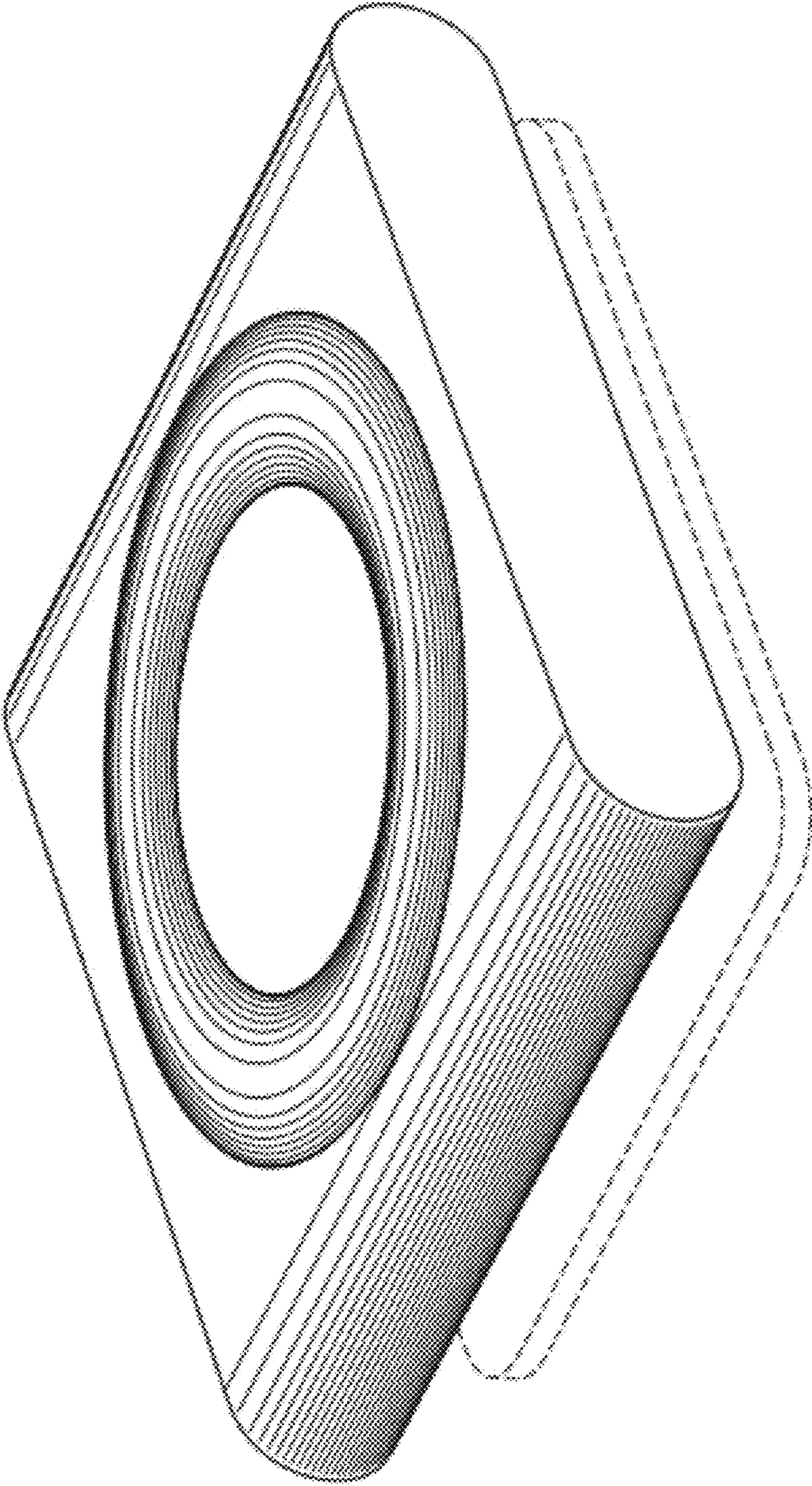


FIG.1

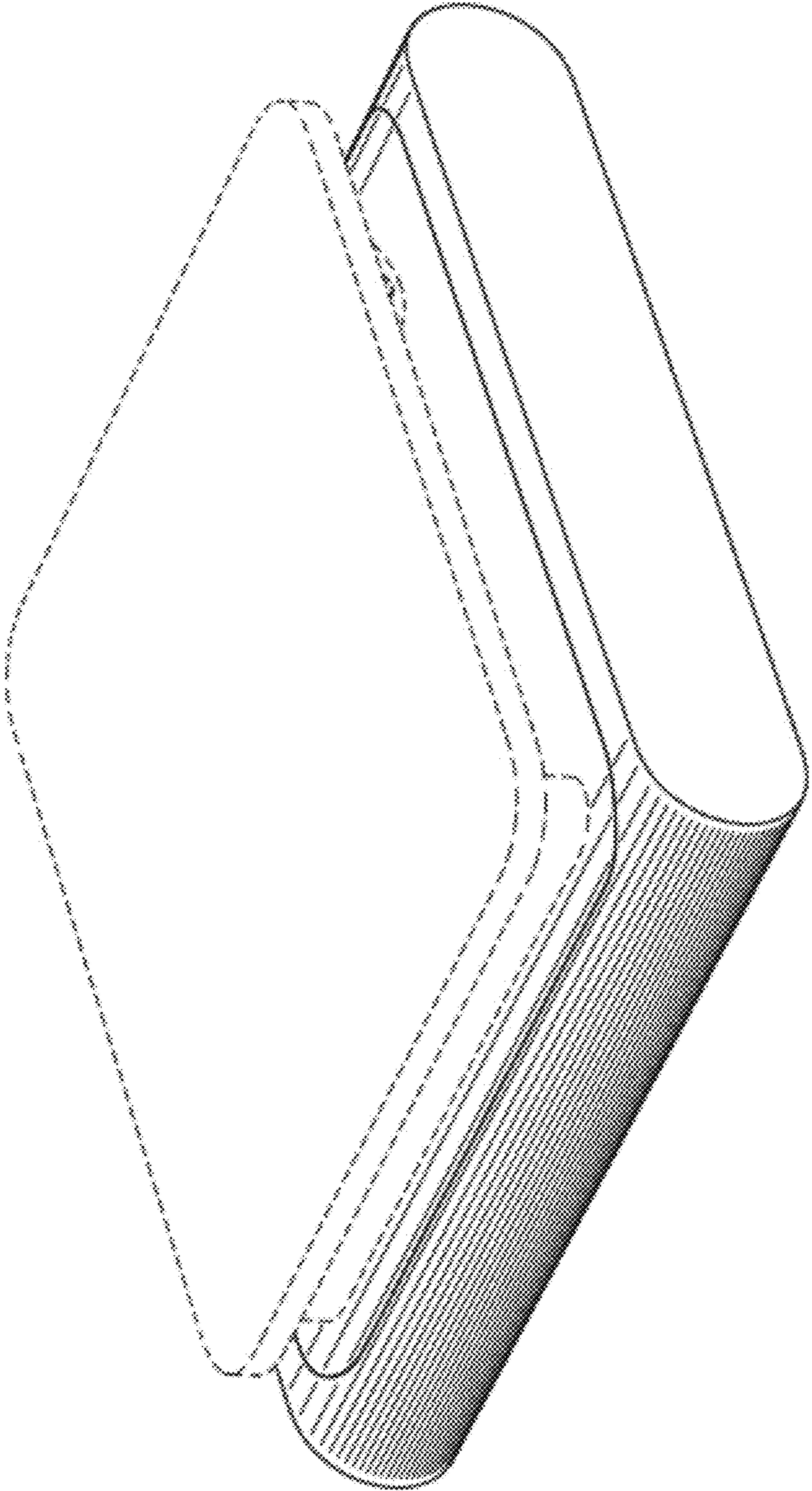


FIG. 2

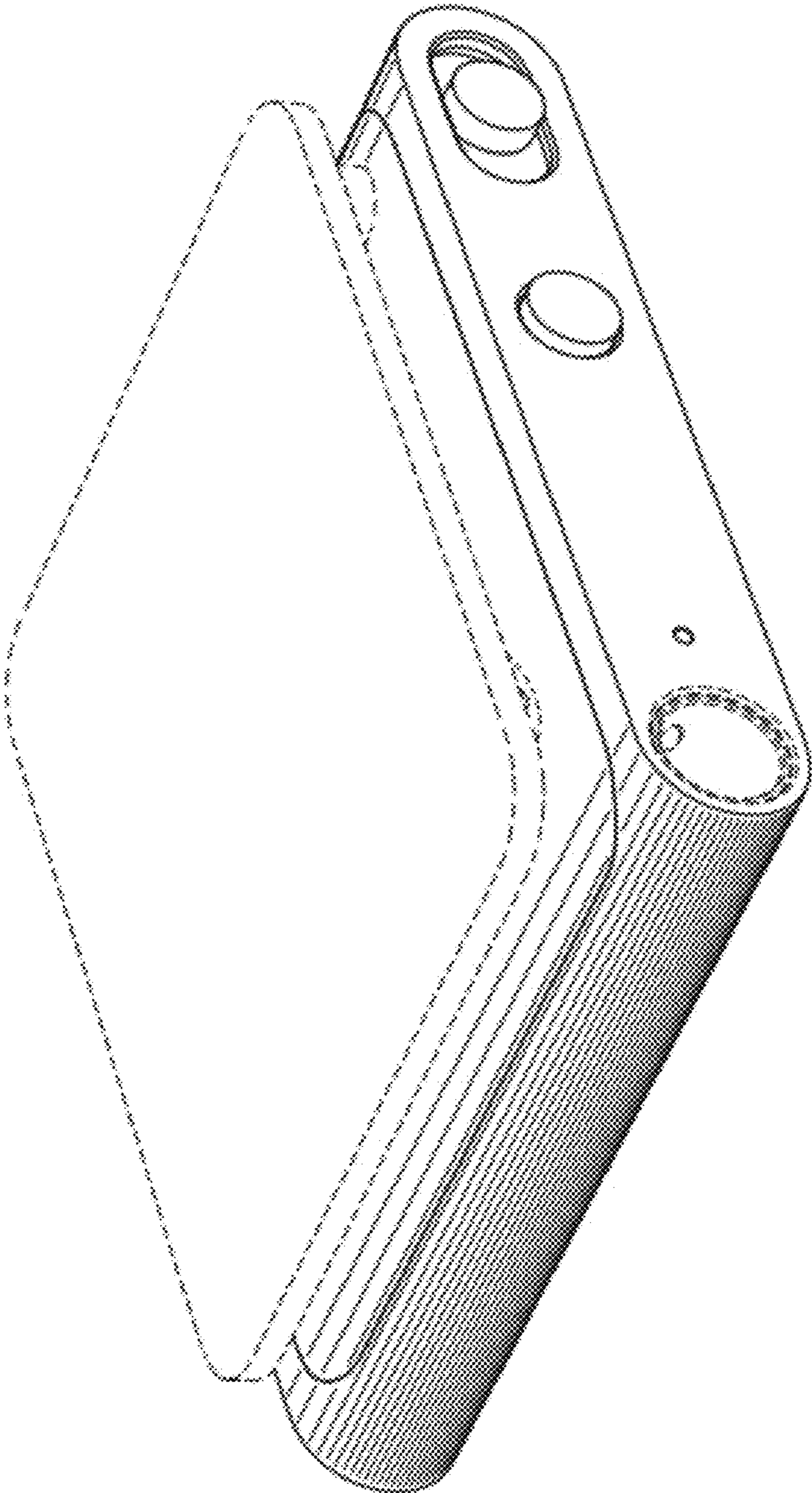


FIG. 3

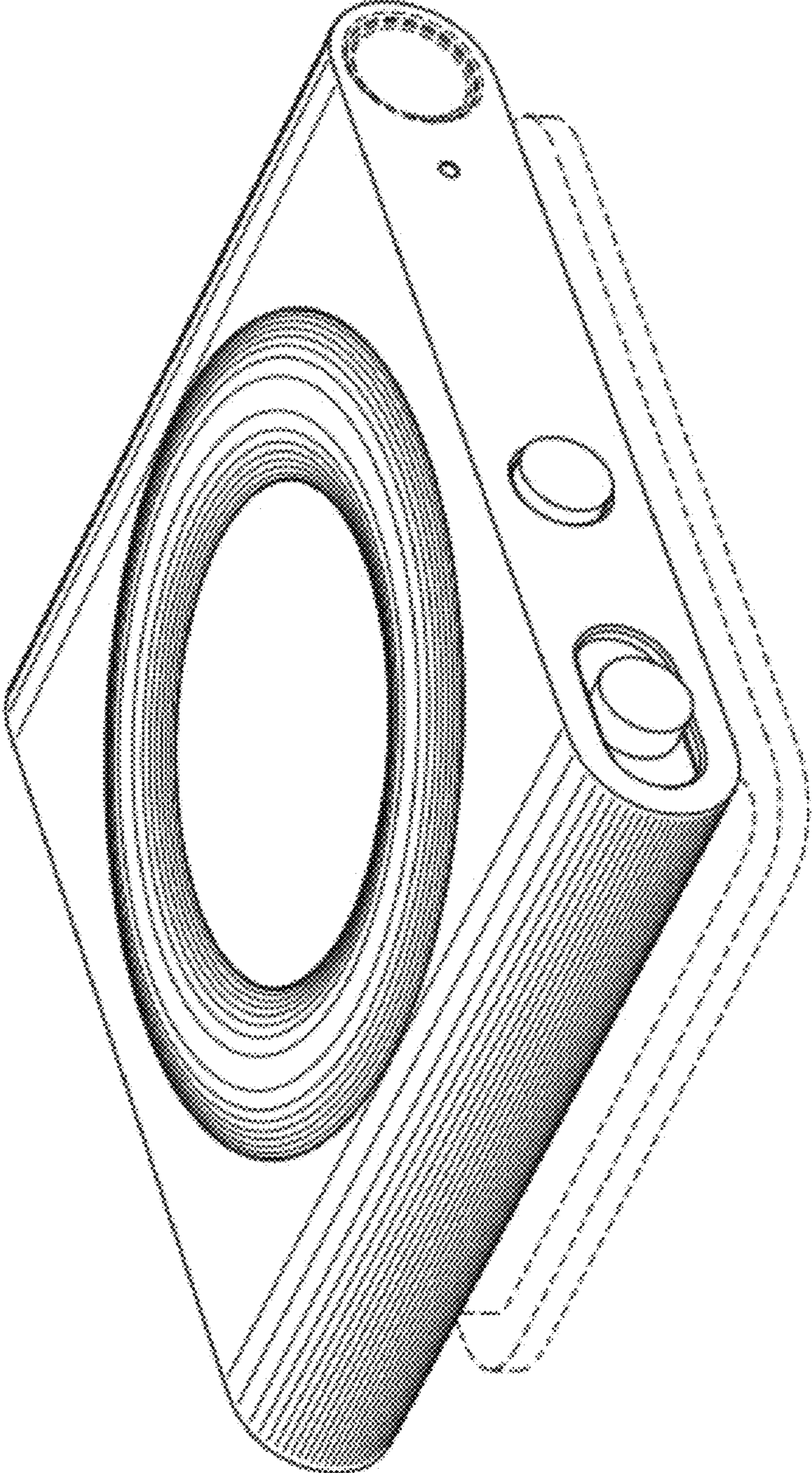


FIG. 4

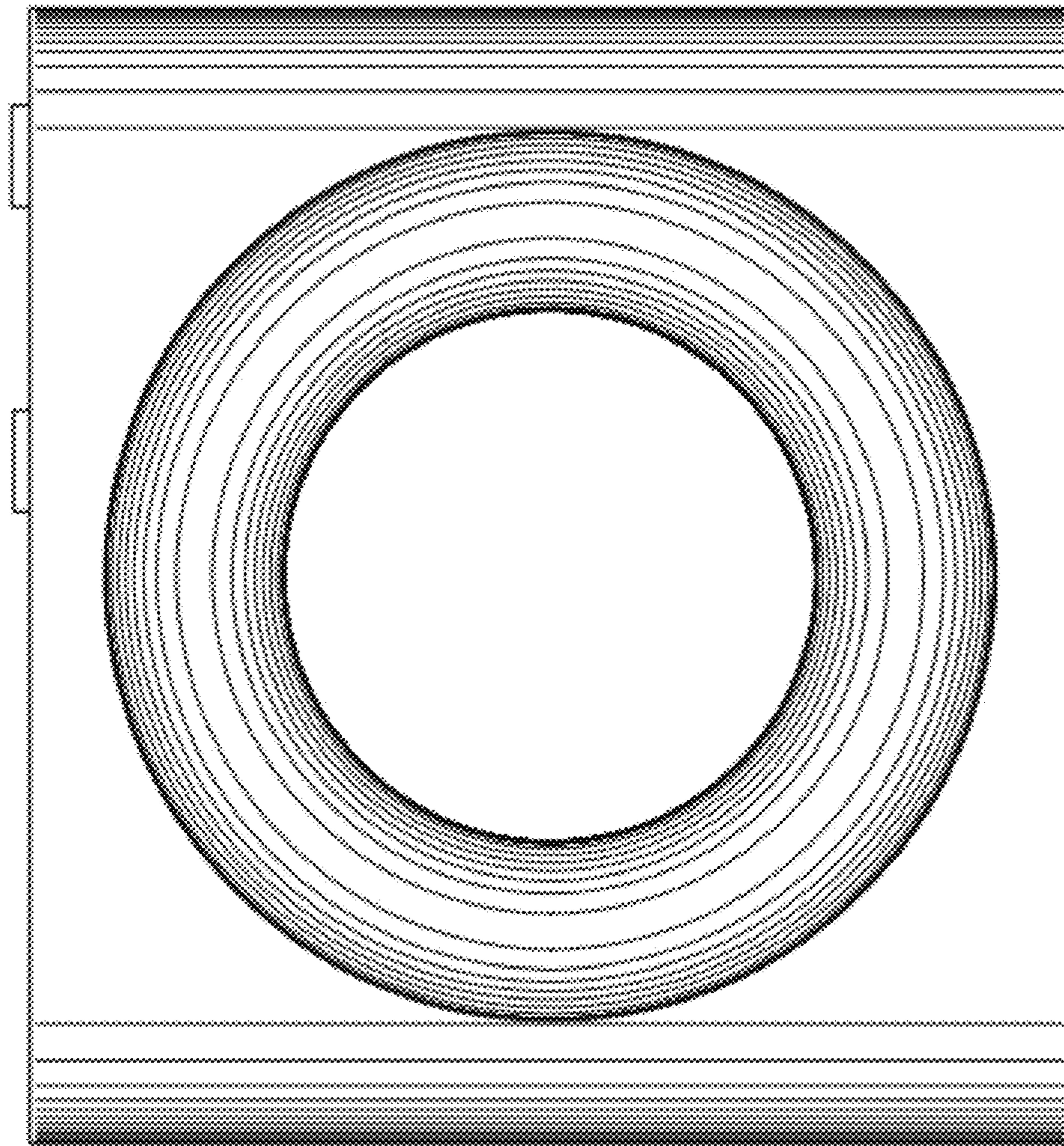


FIG. 5

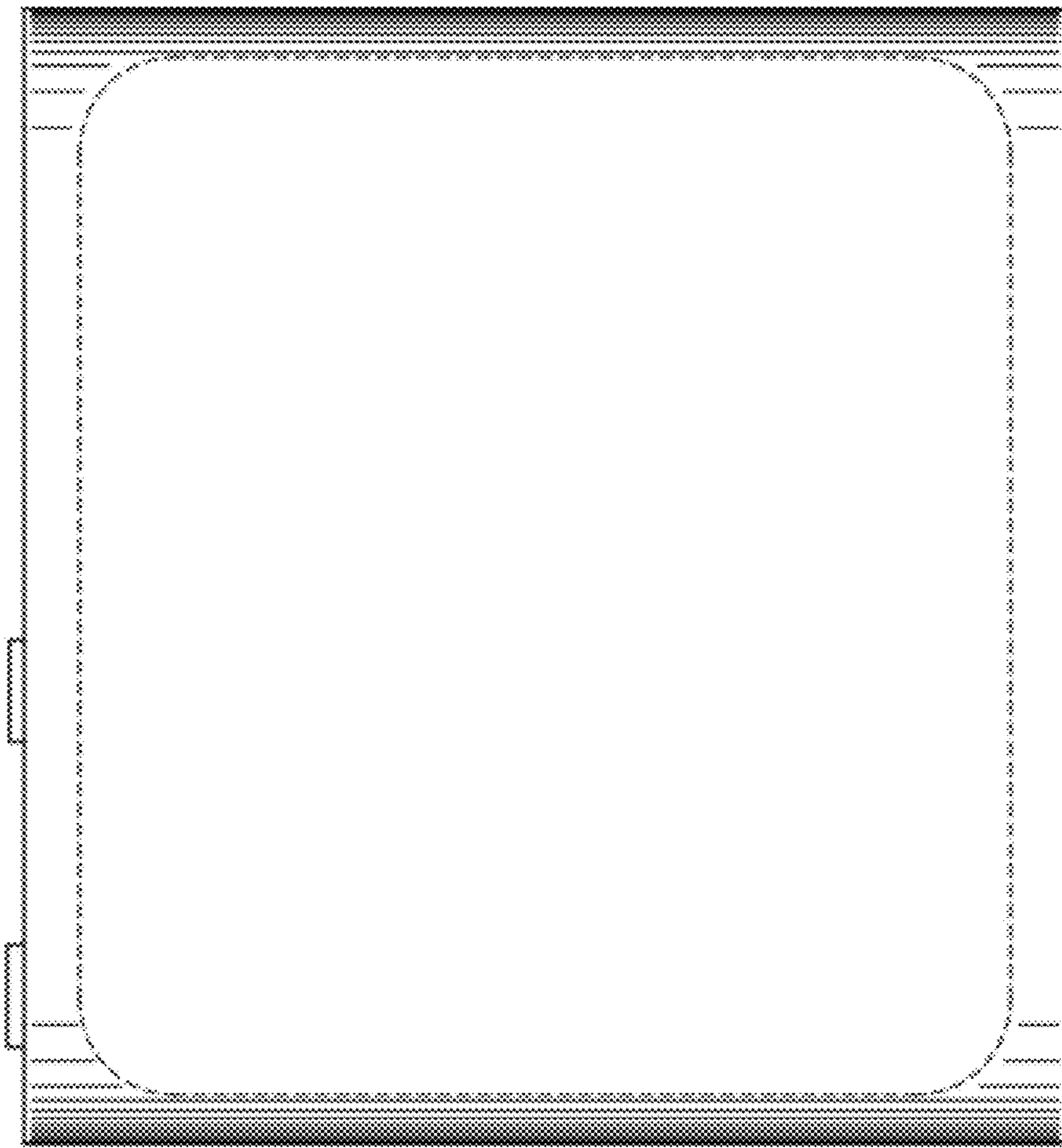


FIG. 6





FIG. 7

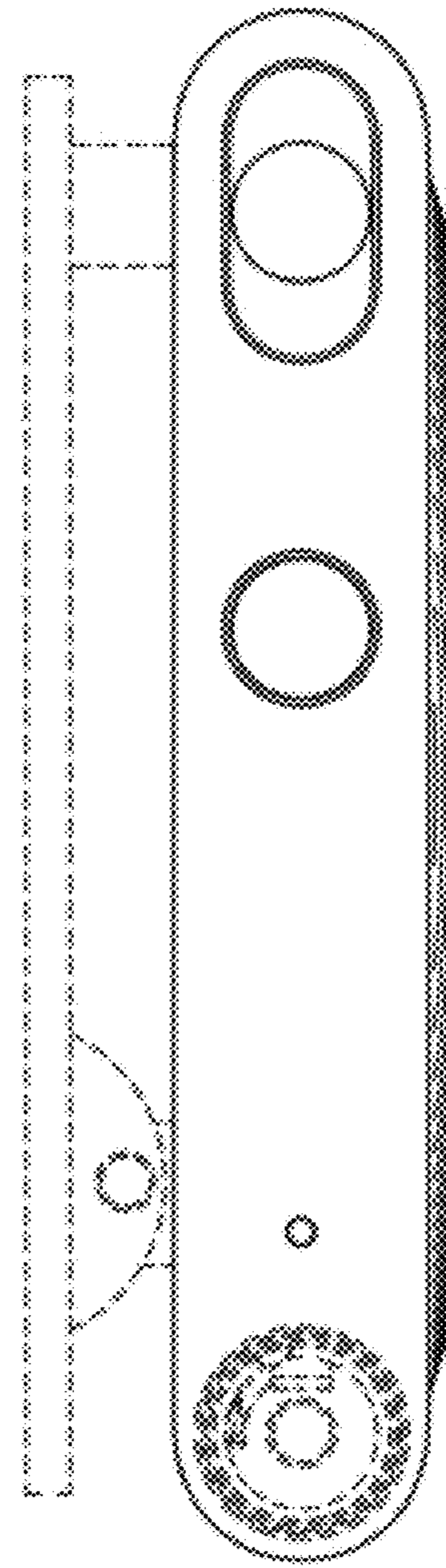


FIG. 8

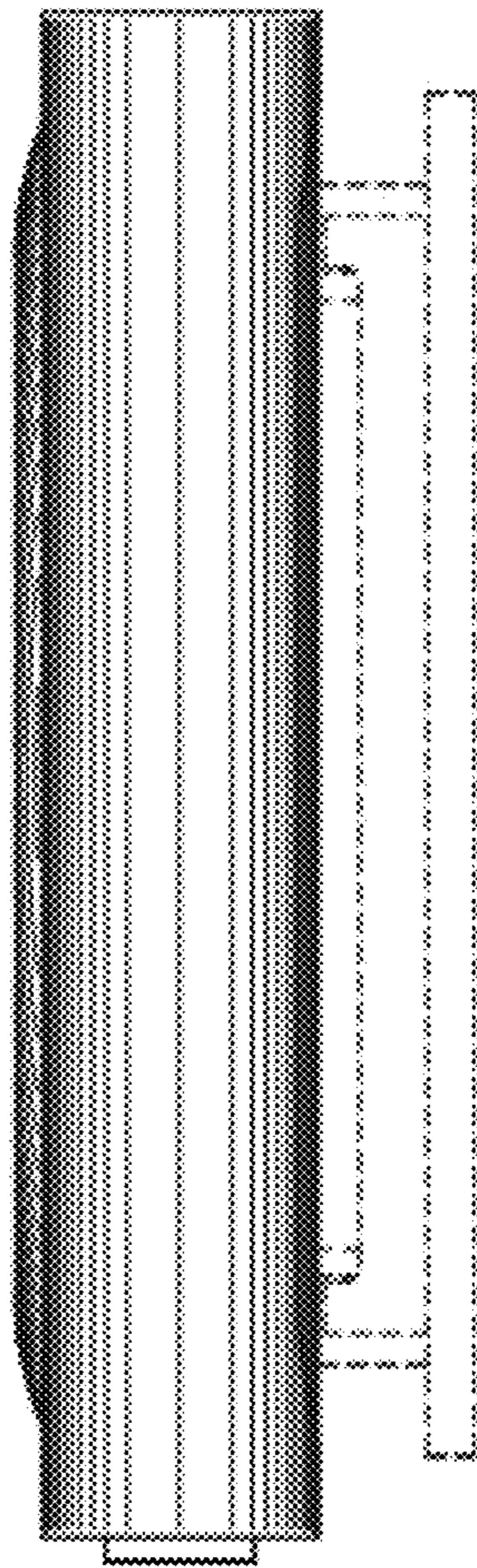


FIG. 9

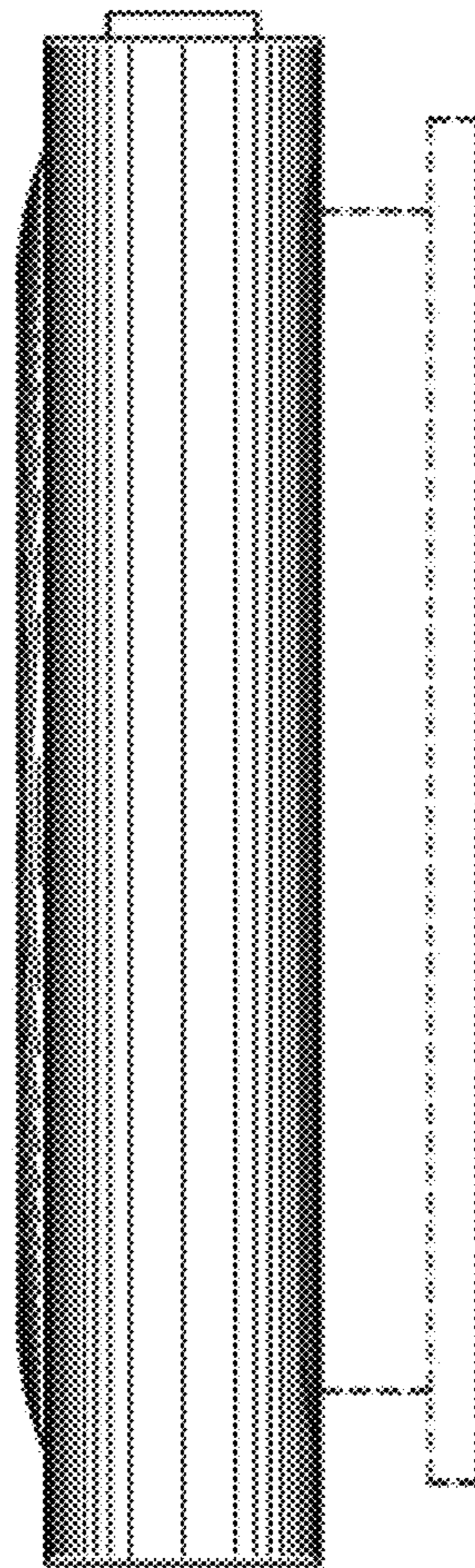


FIG. 10