



US00D656940S

(12) **United States Design Patent**  
**McClelland et al.**

(10) **Patent No.:** **US D656,940 S**  
(45) **Date of Patent:** **\*\* Apr. 3, 2012**

(54) **CRADLE FOR PORTABLE SERVER  
MONITOR**

(75) Inventors: **Belgie B. McClelland**, Tomball, TX  
(US); **James Quillan Thompson**,  
Houston, TX (US); **Gregory M.  
Stewart**, Houston, TX (US)

(73) Assignee: **Hewlett-Packard Development  
Company, L.P.**, Houston, TX (US)

(\*\*) Term: **14 Years**

(21) Appl. No.: **29/384,497**

(22) Filed: **Jan. 31, 2011**

(51) **LOC (9) Cl.** ..... **14-02**

(52) **U.S. Cl.** ..... **D14/447**

(58) **Field of Classification Search** ..... D14/447,  
D14/448, 451, 452, 432, 434, 439, 440, 457,  
D14/460, 461, 239, 250, 251, 253, 217, 238.1;  
D3/218; D6/310, 312, 311, 406.3, 406.4,  
D6/406.5, 406.6, 419; 248/917-924, 688,  
248/441.1, 451, 454, 460, 463, 136, 149,  
248/150, 164, 166, 176.2, 176.3, 176.1, 346.03,  
248/346.3; 361/679.02, 679.09, 679.21,  
361/679.22, 379.26, 679.27, 679.28, 679.29,  
361/679.3, 679.46, 679.47, 679.48, 679.55,  
361/679.56, 679.57, 679.58, 679.59, 679.6;  
150/165; 224/929, 930

See application file for complete search history.

(56) **References Cited**

U.S. PATENT DOCUMENTS

D375,314 S *	11/1996	Tagliani	.....	D14/253
D376,805 S *	12/1996	Johansson	.....	D14/253
D431,250 S *	9/2000	Richter	.....	D14/447
D469,438 S *	1/2003	Corrales	.....	D14/432
D470,146 S *	2/2003	Tan et al.	.....	D14/432
D590,404 S *	4/2009	Kim et al.	.....	D14/447
D603,840 S *	11/2009	Lee et al.	.....	D14/217
D620,931 S *	8/2010	Opman	.....	D14/250

D626,129 S *	10/2010	Lutz	.....	D14/447
D627,771 S *	11/2010	Smith et al.	.....	D14/253
D628,562 S *	12/2010	Akana et al.	.....	D14/217
D630,222 S *	1/2011	Lin	.....	D14/447
D634,315 S *	3/2011	Nousiainen	.....	D14/253

OTHER PUBLICATIONS

PCT Patent Application Serial No. PCT/US2010/051354 entitled  
“Rack mounted UI device,” filed on Oct. 4, 2010 (10 pages).

\* cited by examiner

*Primary Examiner* — Angela J Lee

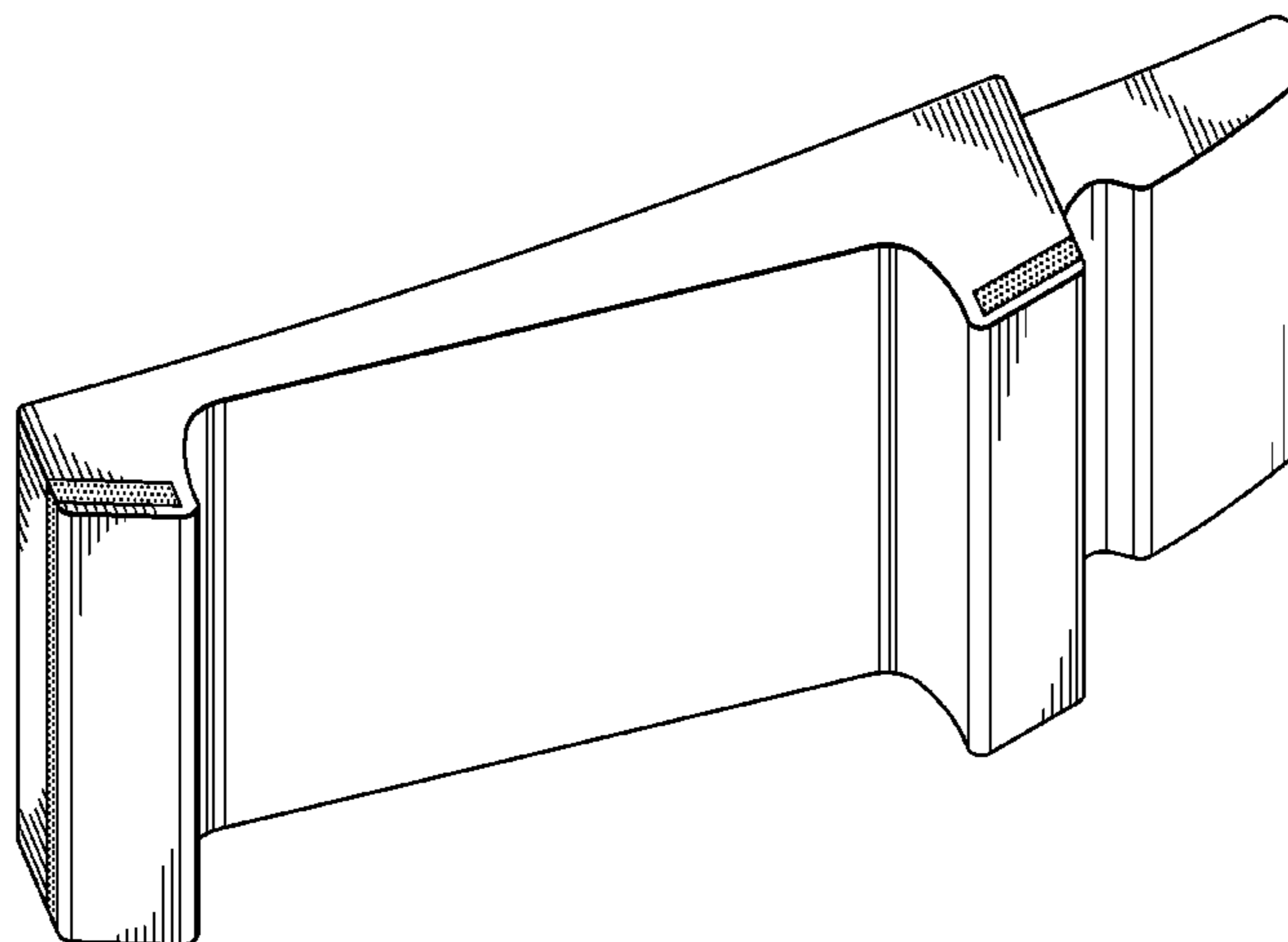
(57) **CLAIM**

The ornamental design for a “cradle for portable server moni-  
tor,” as shown and described.

**DESCRIPTION**

FIG. 1 is a left, front perspective view of a first embodiment  
of a cradle for portable server monitor;  
FIG. 2 is a front view thereof;  
FIG. 3 is a top view thereof;  
FIG. 4 is bottom view thereof;  
FIG. 5 is a right side view thereof;  
FIG. 6 is a left side view thereof;  
FIG. 7 is a perspective view of a second embodiment identical  
to embodiment 1, but with the indicator lights lined for a  
different color;  
FIG. 8 is a perspective view of a third embodiment identical  
to embodiment 1, but with the indicator lights lined for a  
different color;  
FIG. 9 is a perspective view of a fourth embodiment identical  
to embodiment 1, but with the indicator lights lined for a  
different color;  
FIG. 10 is a perspective view of embodiment 1, but showing  
a portable server monitor in broken lines; and,  
FIG. 11 is a top view of embodiment 1, but showing a server  
rack in broken lines.  
The features shown in broken lines are for illustrative pur-  
poses only and do not form part of the claimed design.

**1 Claim, 8 Drawing Sheets**



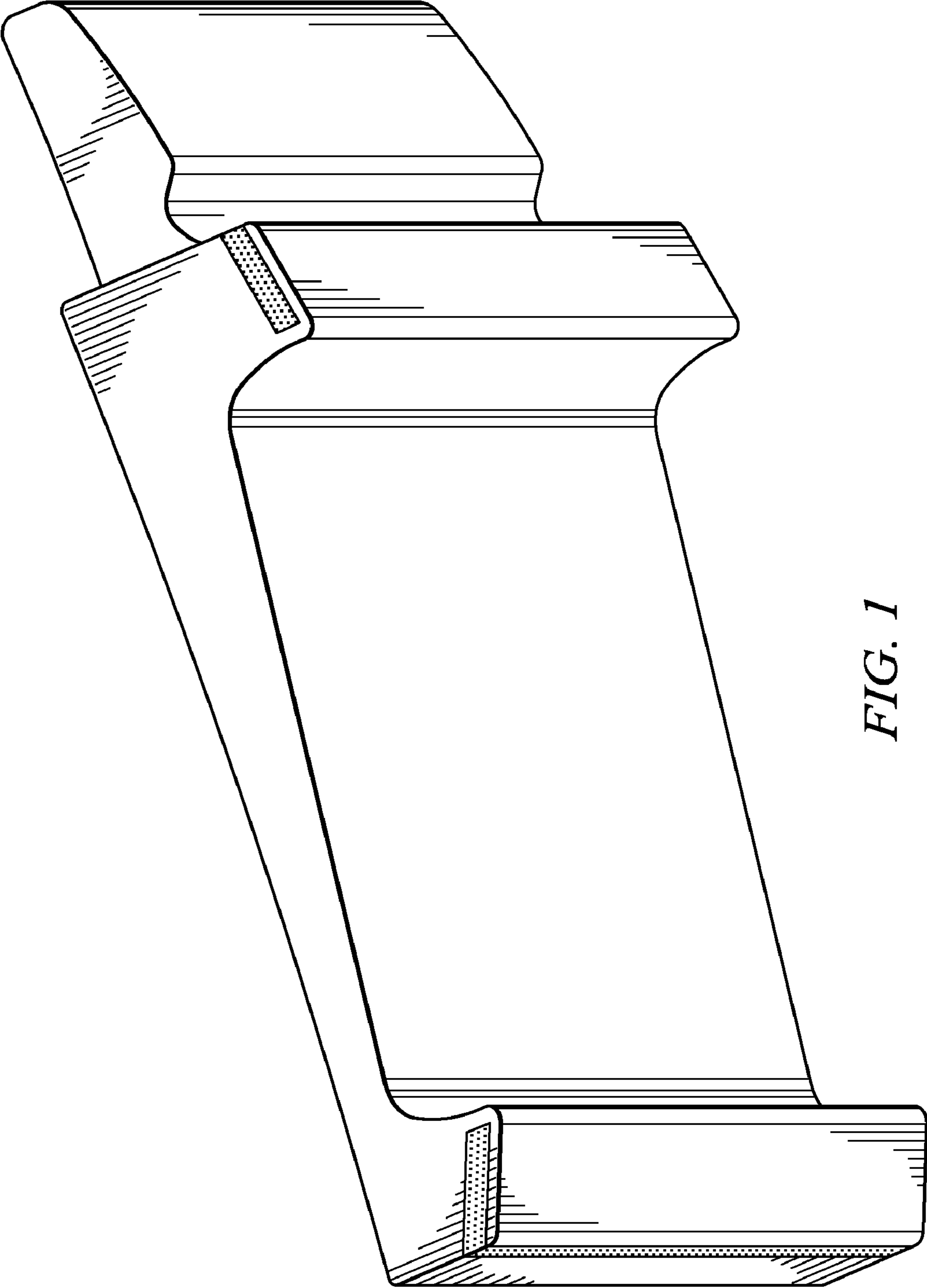


FIG. 1

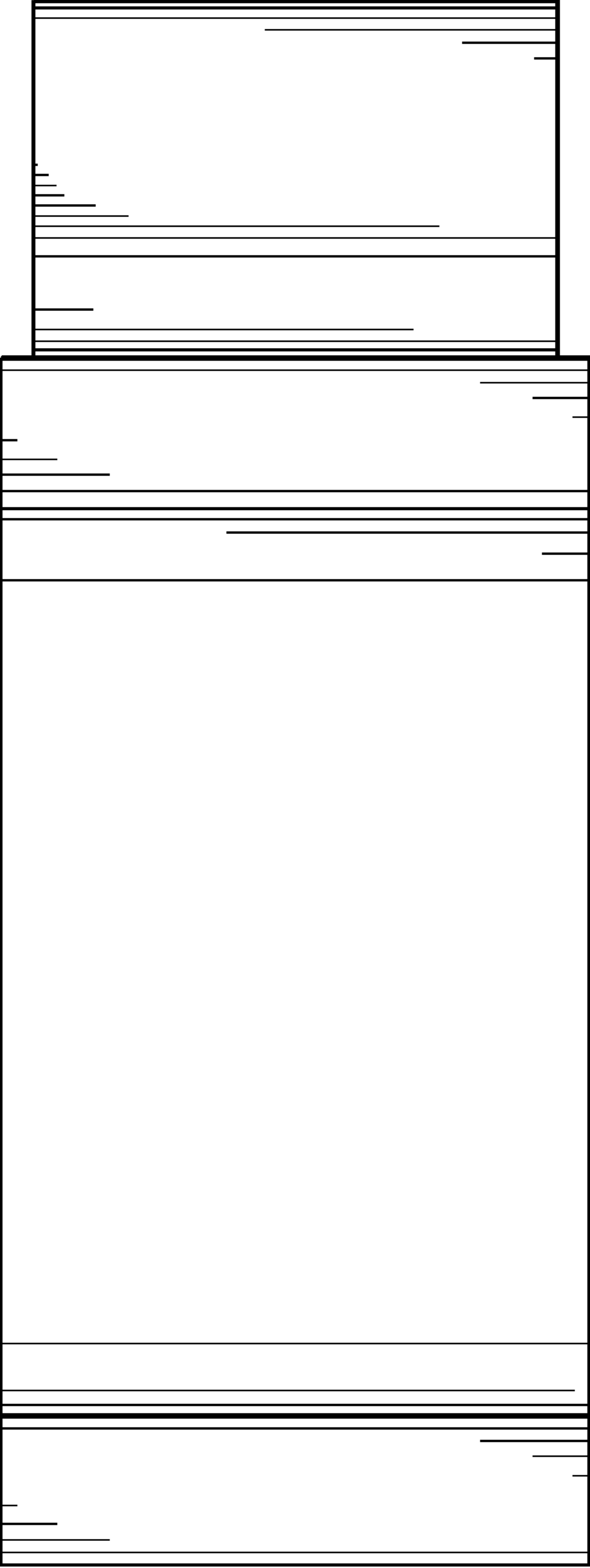


FIG. 2

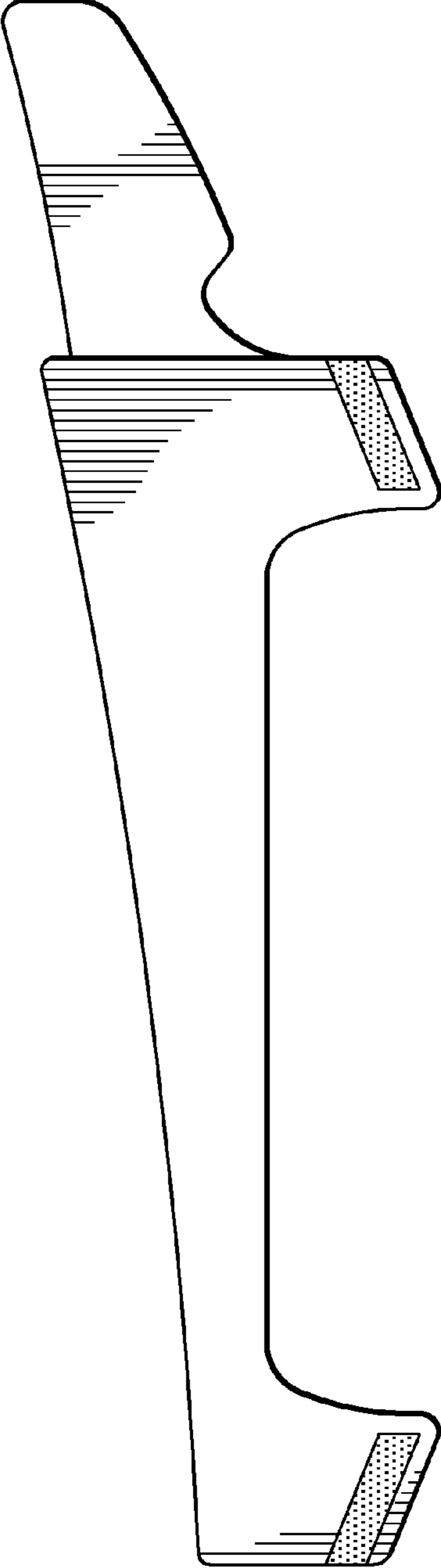
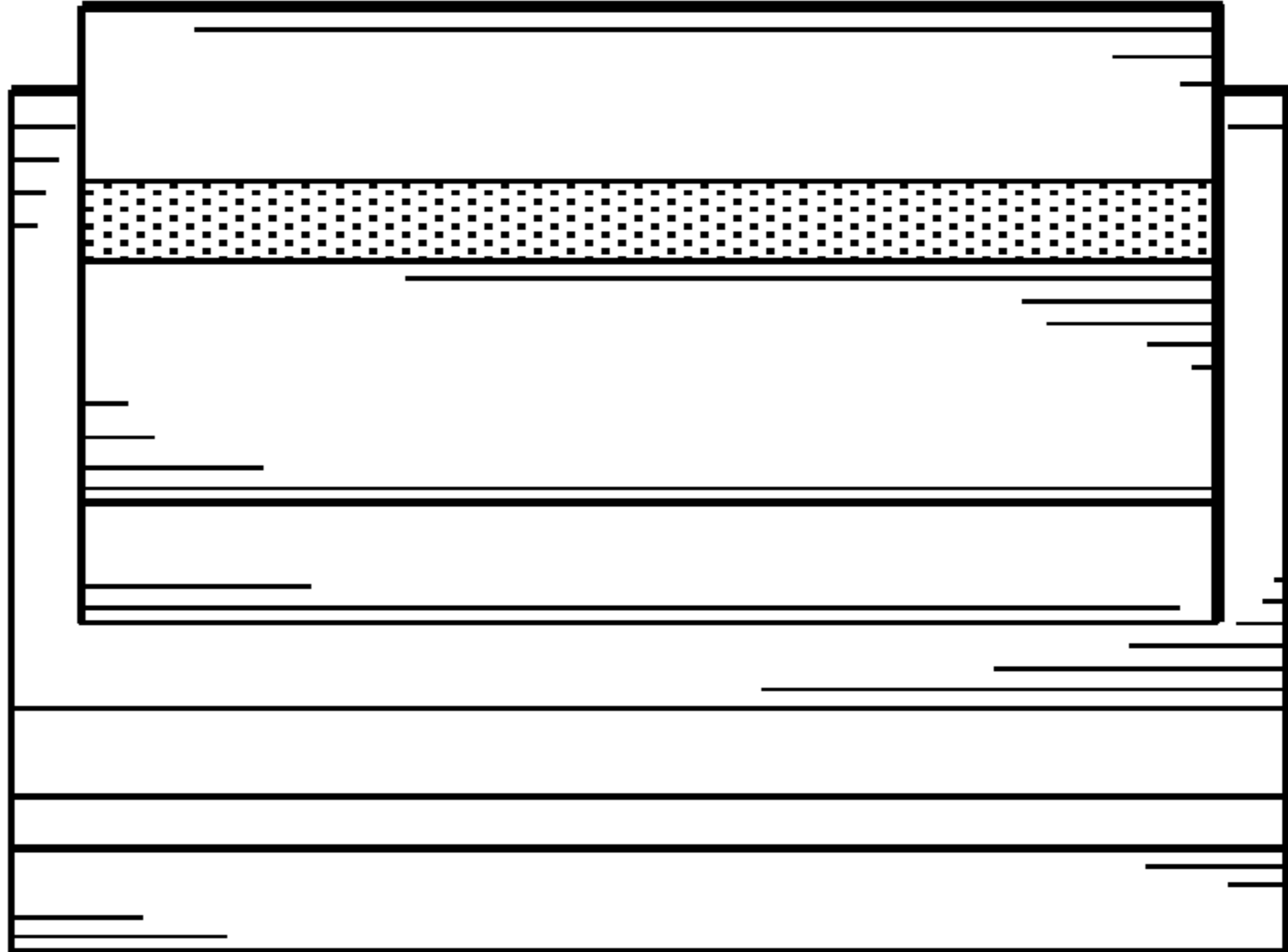
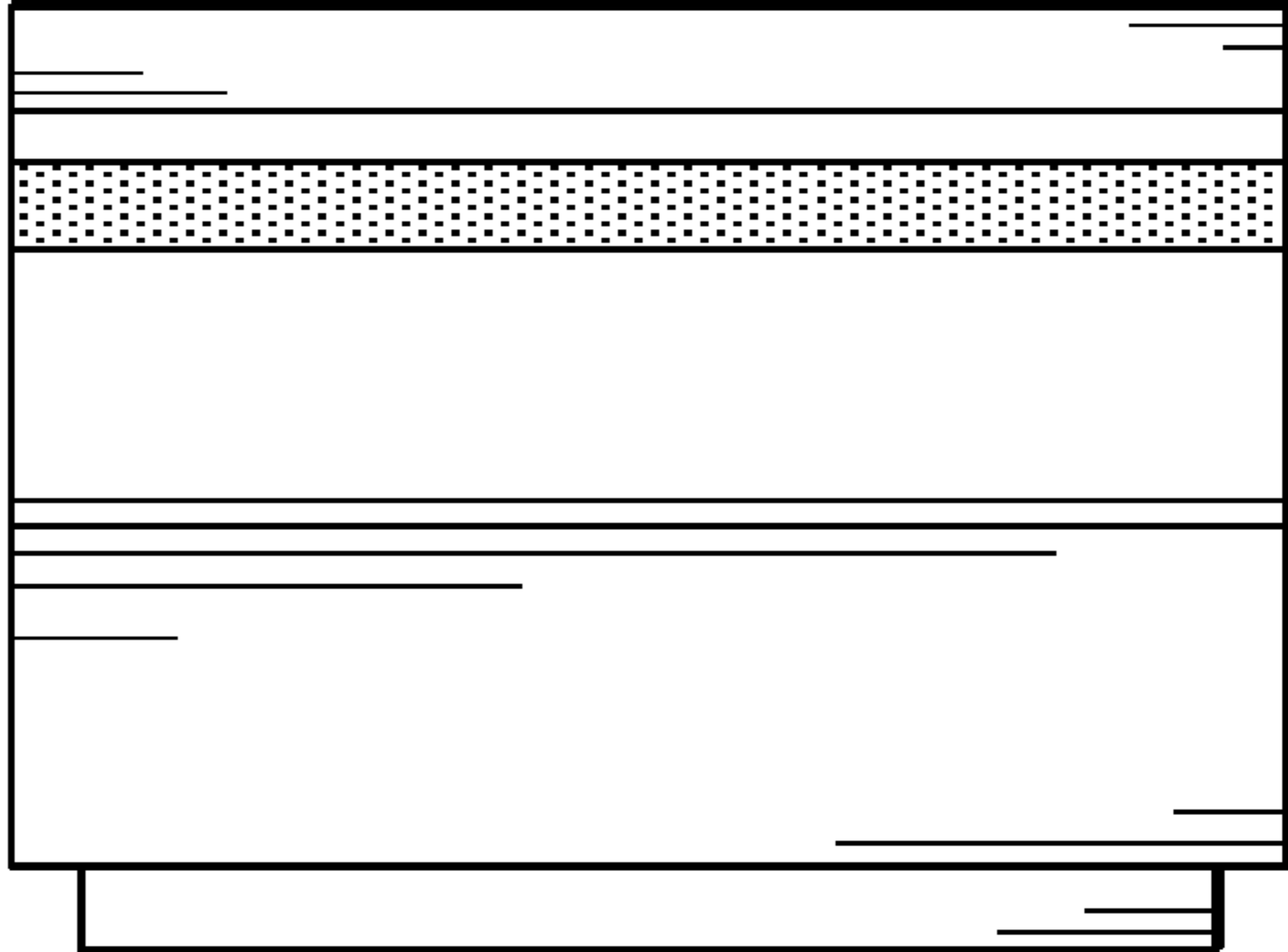
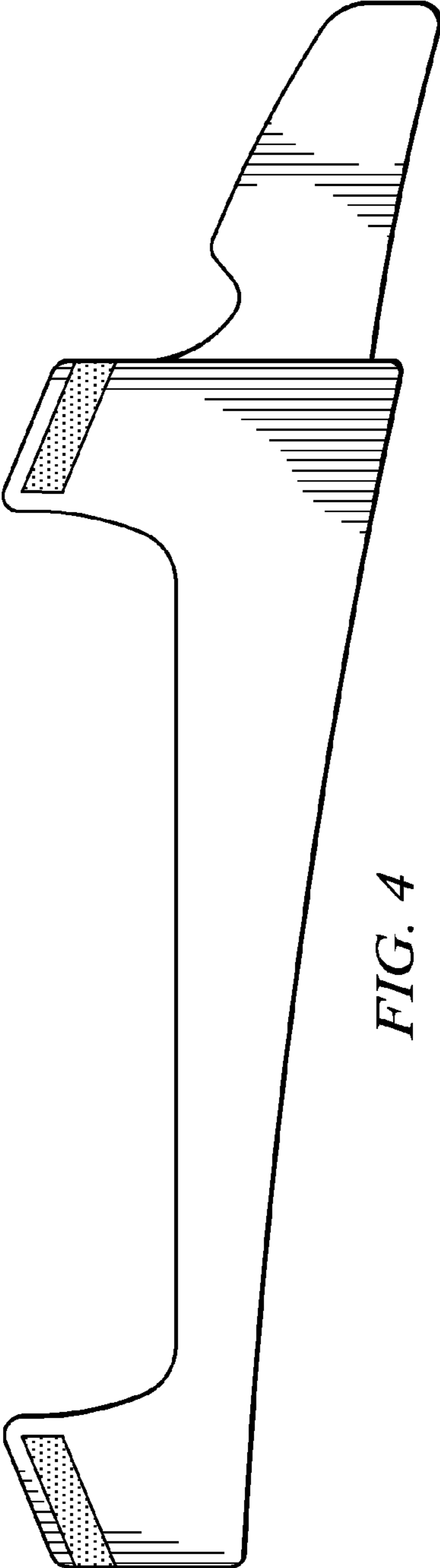


FIG. 3



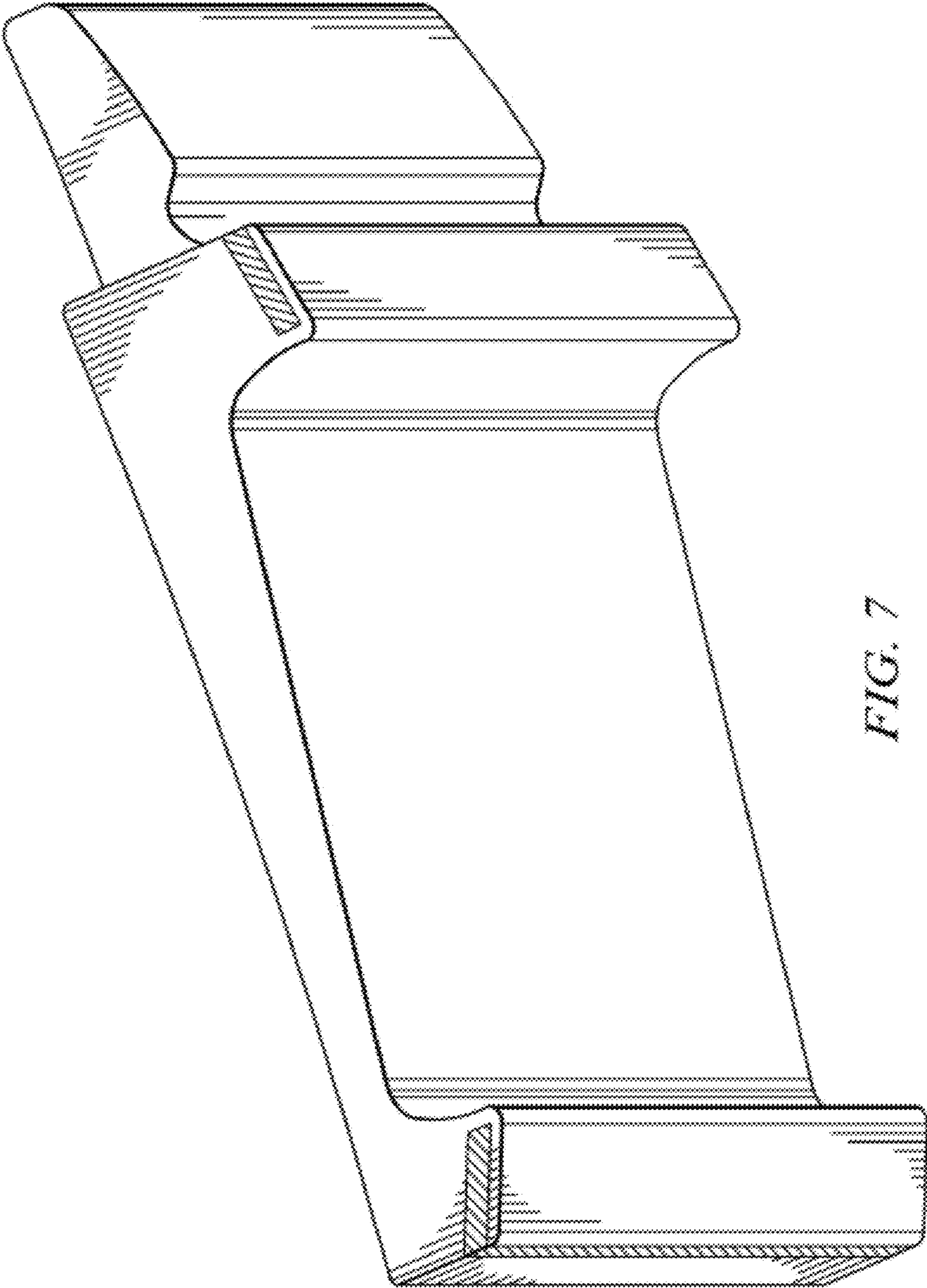


FIG. 7

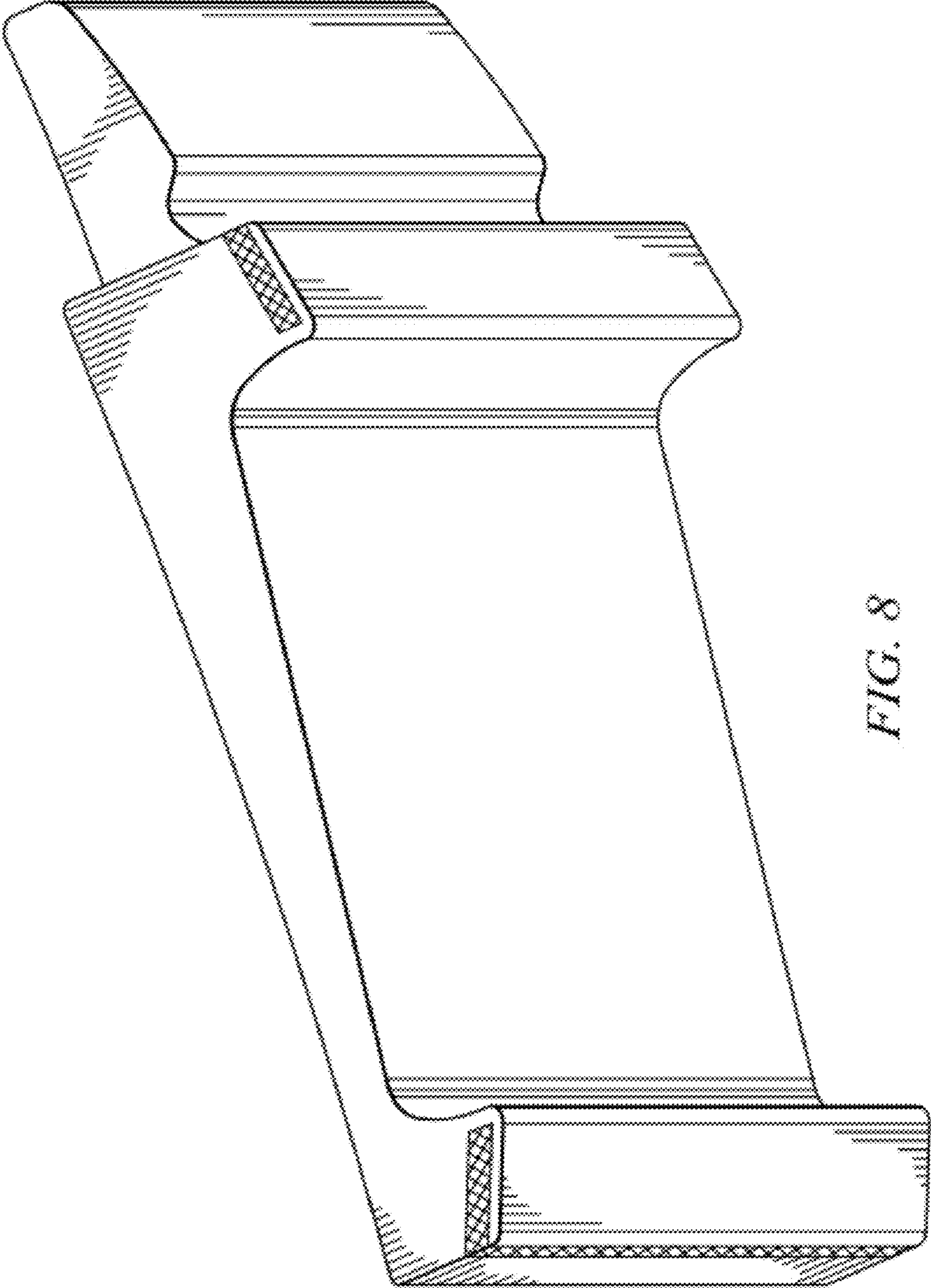


FIG. 8

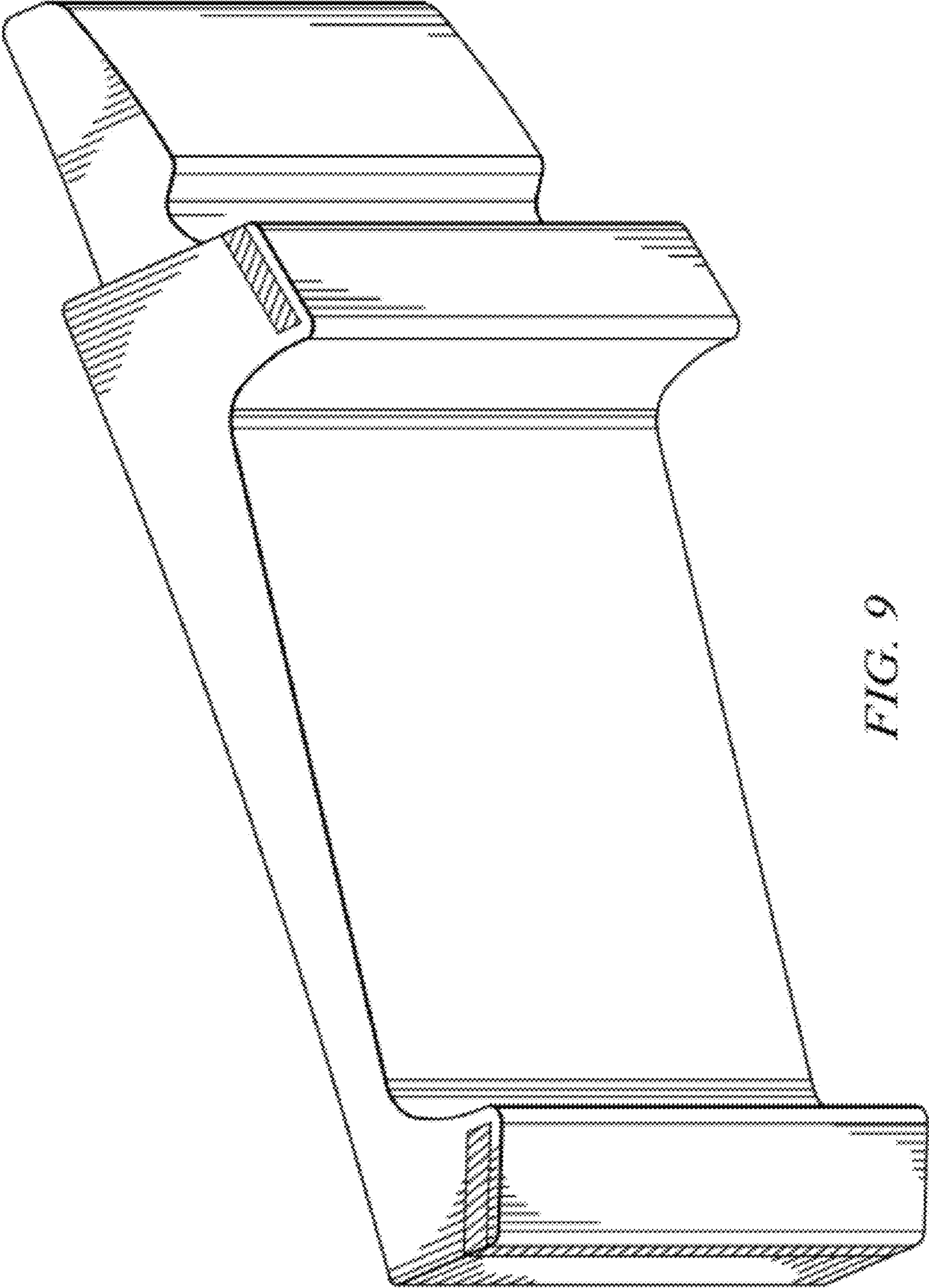


FIG. 9

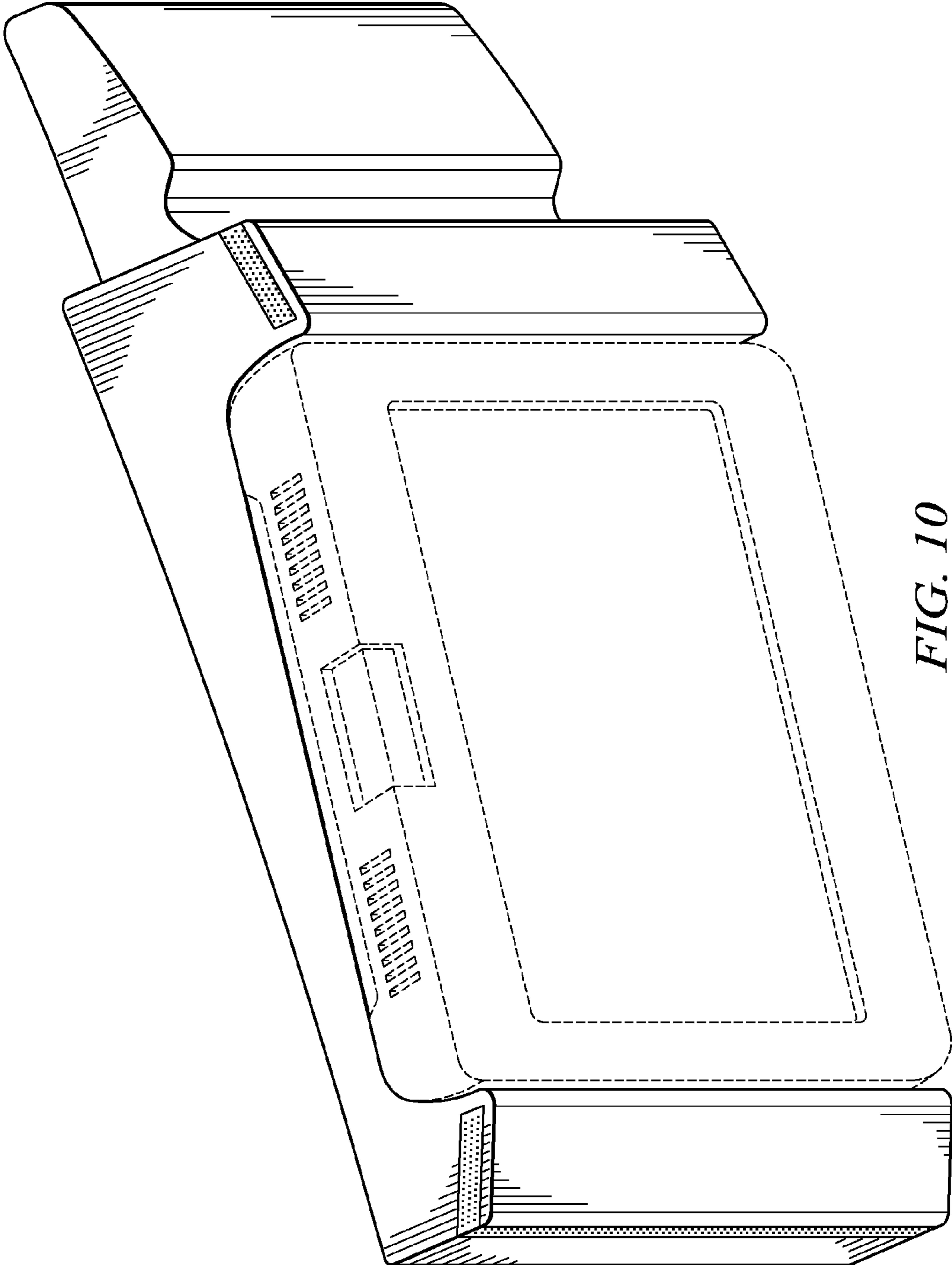
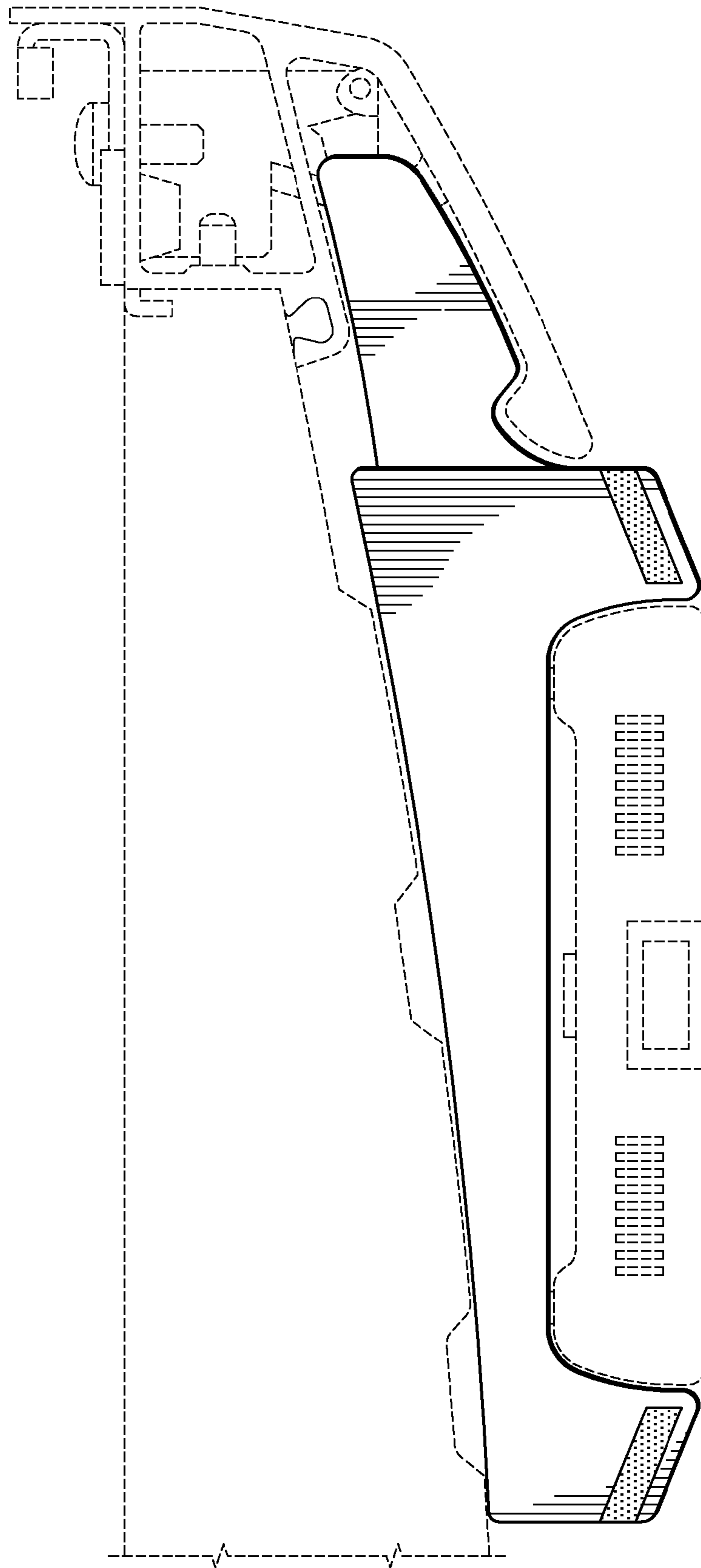


FIG. 10





*FIG. 11*