



US00D656930S

(12) **United States Design Patent**
Son

(10) **Patent No.:** **US D656,930 S**
(45) **Date of Patent:** **** Apr. 3, 2012**

(54) **CRADLE FOR MOBILE PHONE**

(75) Inventor: **Hyun-Keun Son**, Seoul (KR)

(73) Assignee: **Samsung Electronics Co., Ltd.** (KR)

(**) Term: **14 Years**

(21) Appl. No.: **29/387,299**

(22) Filed: **Mar. 11, 2011**

(30) **Foreign Application Priority Data**

Dec. 17, 2010 (KR) 30-2010-0054775

(51) **LOC (9) Cl.** **14-03**

(52) **U.S. Cl.** **D14/253**

(58) **Field of Classification Search** D14/140,
D14/142, 147-149, 217, 240, 251-253, 432,
D14/434, 447, 452, 454, 496, 144, 451, 457;
D8/363, 373; D12/415, 418, 422; 248/206.2-206.4,
248/220.21, 279.1; 379/426, 446, 454, 455;
D13/107-108; D16/242; D21/333

See application file for complete search history.

(56) **References Cited**

U.S. PATENT DOCUMENTS

D223,833	S	*	6/1972	Dreyfuss et al.	D14/140
D351,384	S	*	10/1994	Pena Angarita	D14/149
D525,935	S	*	8/2006	Hussaini et al.	D13/108
D546,760	S	*	7/2007	Aguilar et al.	D13/108
D577,665	S	*	9/2008	Kim et al.	D13/107
D579,917	S	*	11/2008	Marchand et al.	D14/217
D584,731	S	*	1/2009	Montgomery et al.	D14/434
7,620,176	B2	*	11/2009	Gullickson et al.	379/455
D607,879	S	*	1/2010	Ferber et al.	D14/217
D628,562	S	*	12/2010	Akana et al.	D14/217
D631,009	S	*	1/2011	Son et al.	D13/108
D635,978	S	*	4/2011	Chen	D14/434
D638,831	S	*	5/2011	Paradise	D14/253
D642,520	S	*	8/2011	Chun et al.	D13/108
D645,403	S	*	9/2011	Seo et al.	D13/108
D647,520	S	*	10/2011	Wikel	D14/253
D647,525	S	*	10/2011	Seto	D14/434
D648,339	S	*	11/2011	O'Neil et al.	D14/434

OTHER PUBLICATIONS

USB Cradle Desktop Charger for Samsung Galaxy Tab SGH-T849 (T-Mobile), <URL:http://www.bargaincell.com/samsung-galaxy-tab-sght849-tmobile-usb-cradle-desktop-charger-p-509137.html?cPath=58893_58898_58644_58647>, retrieved from internet Nov. 15, 2011.* OEM LG Revolution Desktop Cradle, <URL:http://www.bargaincell.com/oem-lg-revolution-desktop-cradle-p-510765.html>, retrieved from internet Nov. 15, 2011.*

* cited by examiner

Primary Examiner — Carla Wright

(74) *Attorney, Agent, or Firm* — NSIP Law

(57) **CLAIM**

The ornamental design for a cradle for mobile phone, as shown and described.

DESCRIPTION

FIG. 1 is a perspective view of a cradle for mobile phone; FIG. 2 is a front view of the cradle of FIG. 1; FIG. 3 is a rear view of the cradle of FIG. 1; FIG. 4 is a left-side view of the cradle of FIG. 1; FIG. 5 is a right-side view of the cradle of FIG. 1; FIG. 6 is a top plan view of the cradle of FIG. 1; and FIG. 7 is a bottom plan view of the cradle of FIG. 1; and, FIG. 8 is a perspective view of the cradle for mobile phone of FIG. 1.

In FIG. 8, the evenly segmented broken lines depict an unclaimed mobile phone and an unclaimed battery. The unevenly segmented broken lines represent the paths along which the mobile phone and the battery are separated from the cradle for mobile phone. The broken lines form no part of the claimed design.

1 Claim, 5 Drawing Sheets

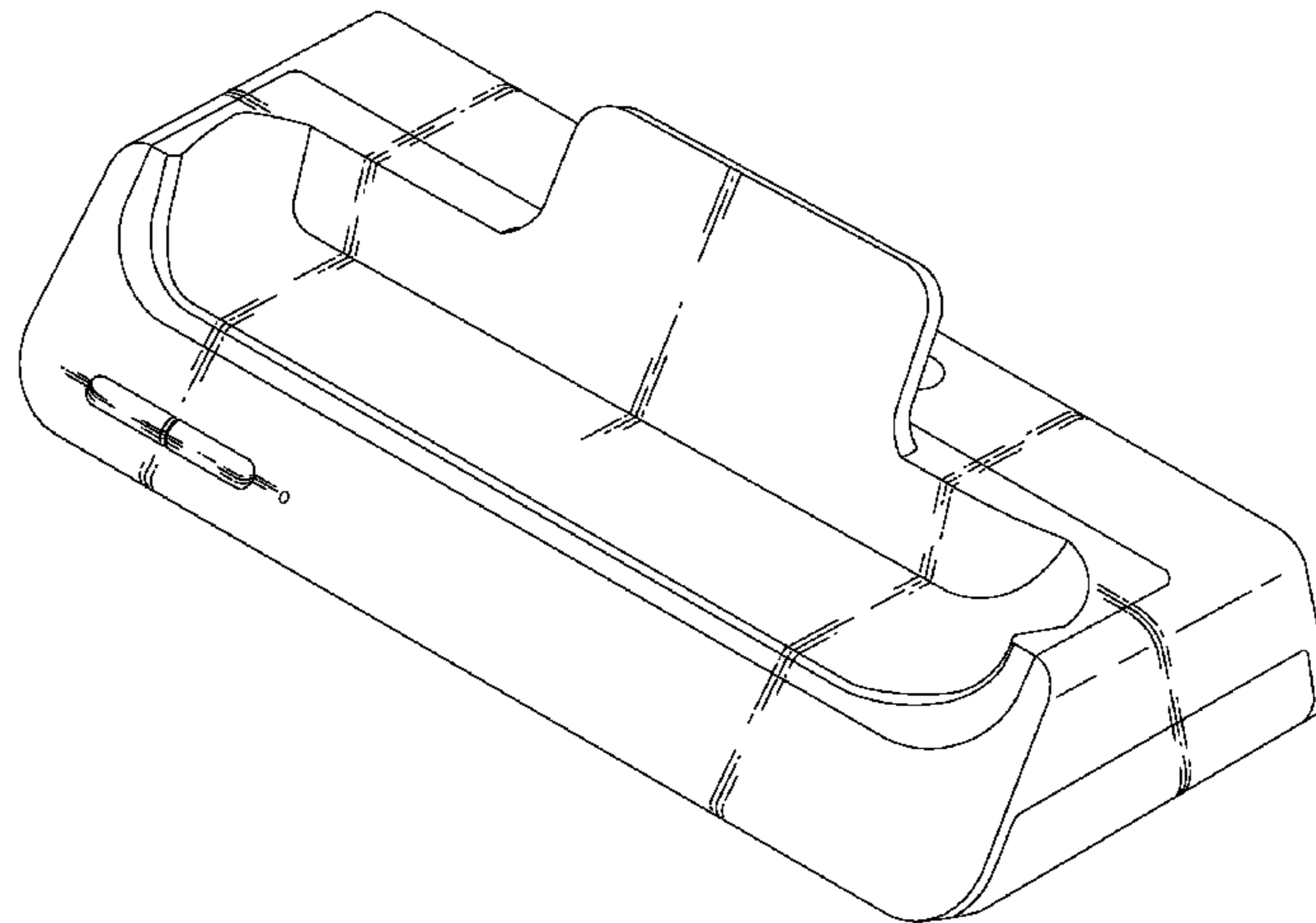


FIG. 1

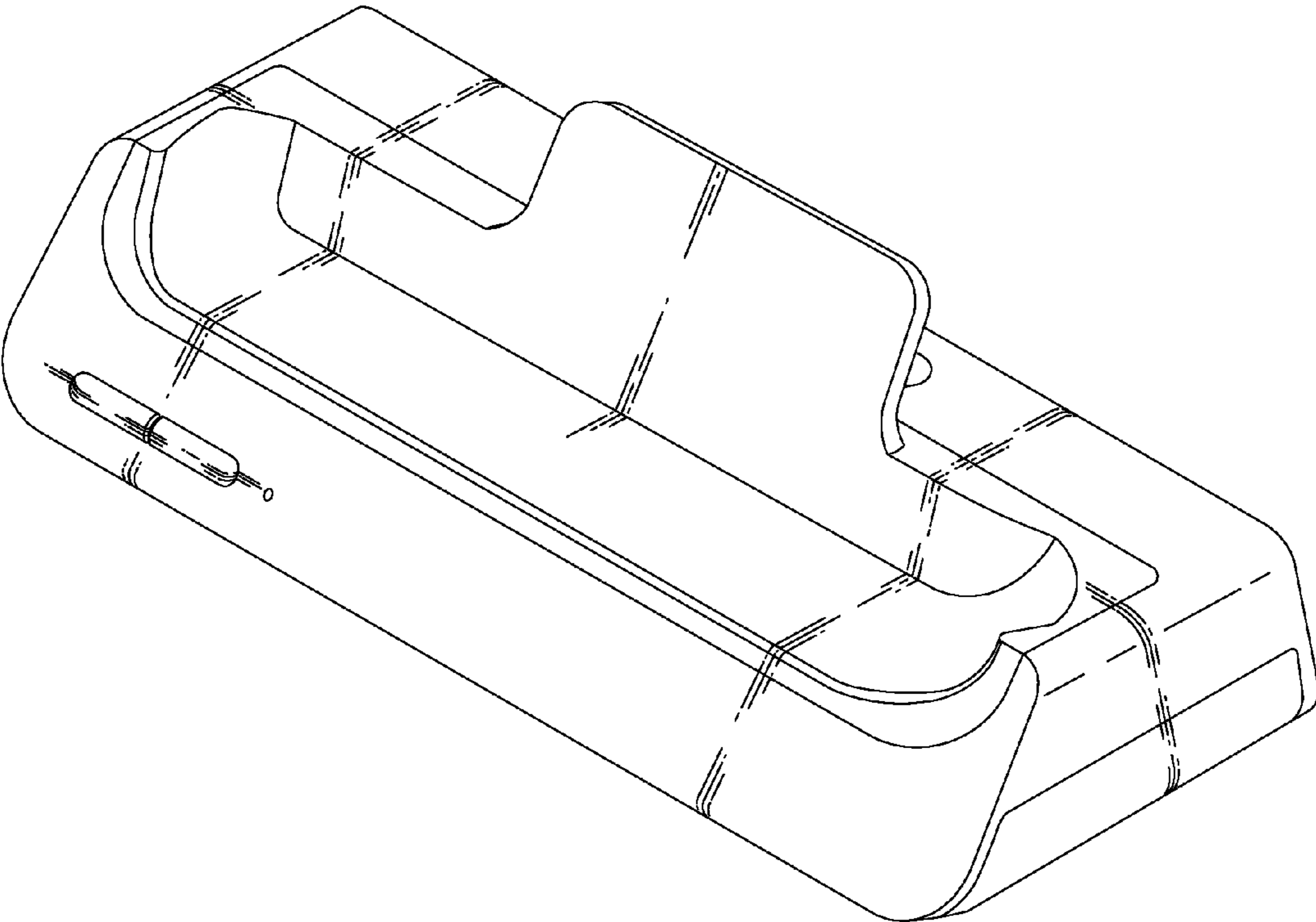


FIG. 2

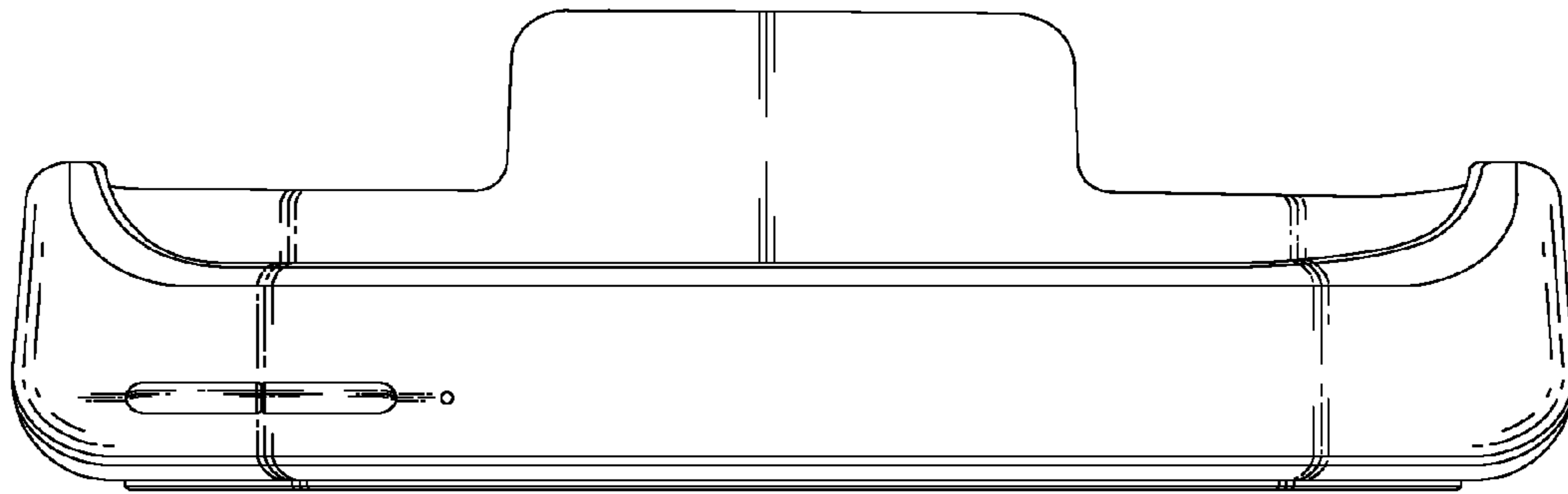


FIG. 3

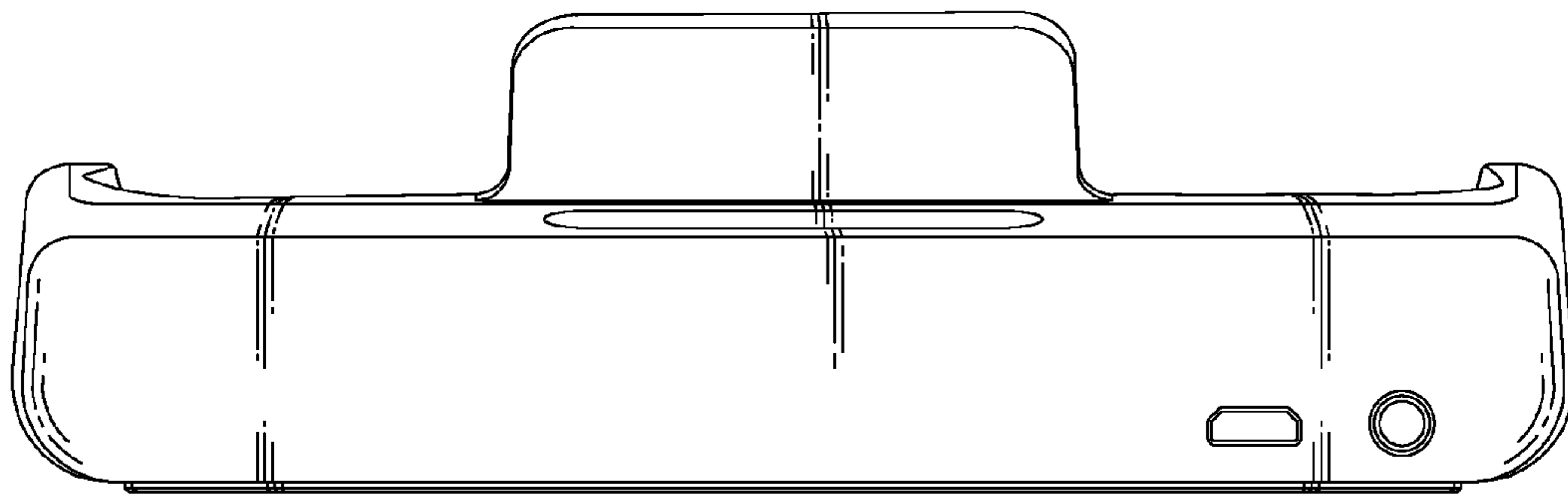


FIG. 4

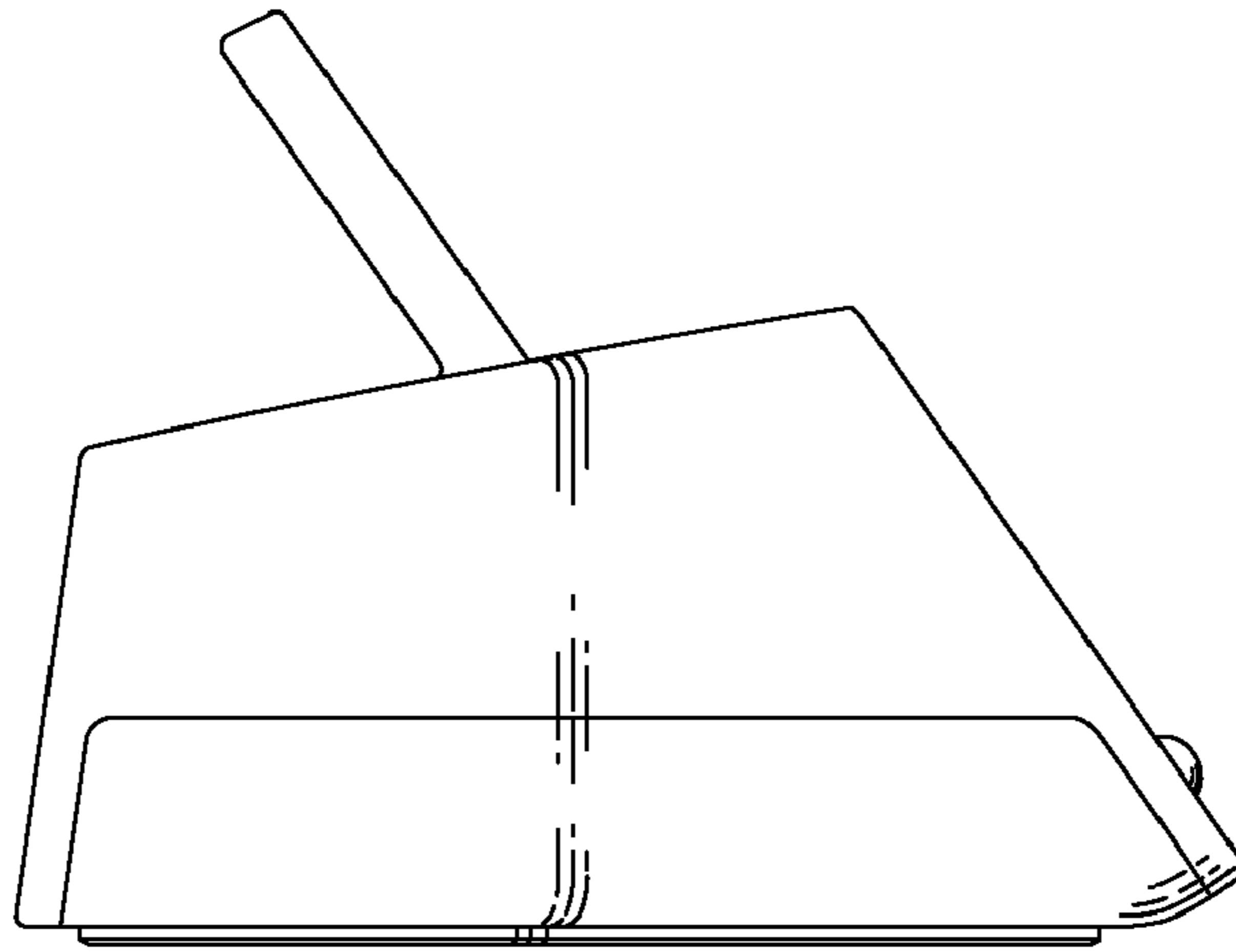


FIG. 5

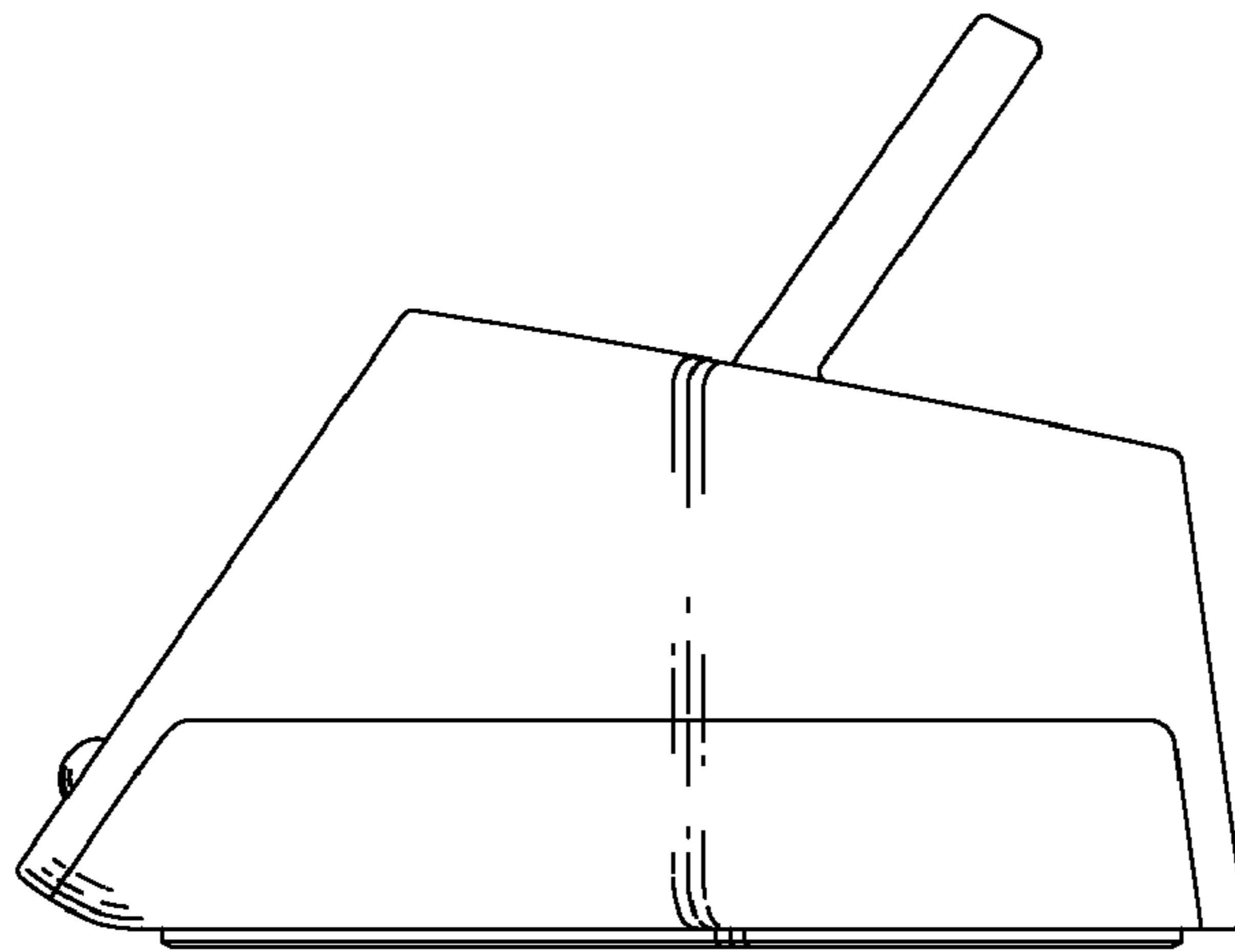


FIG. 6

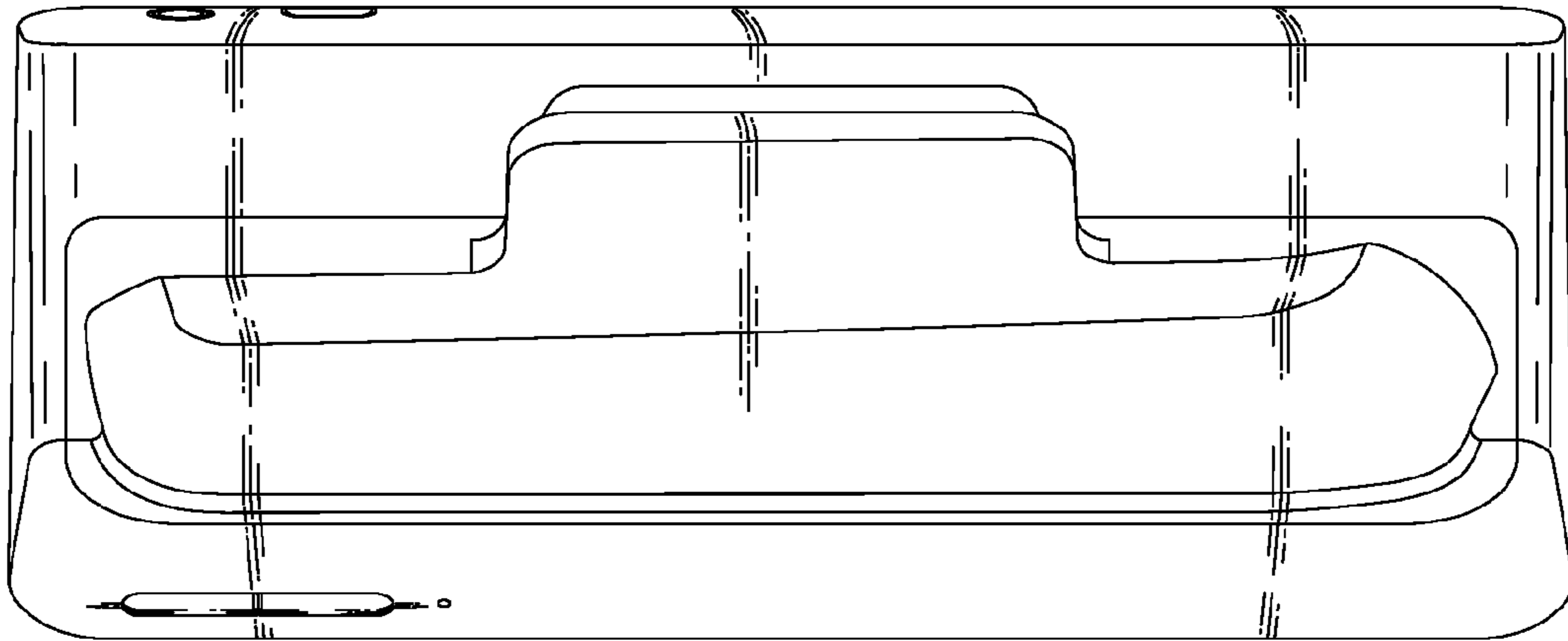


FIG. 7

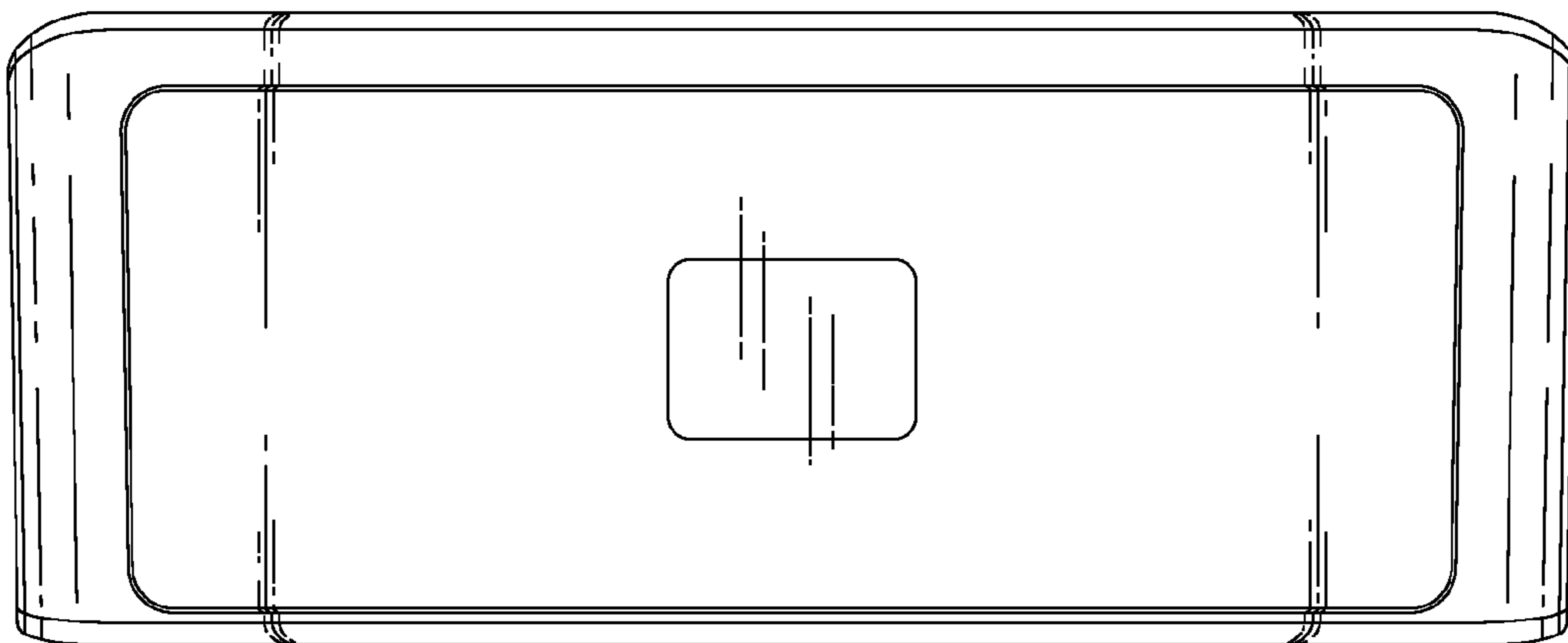


FIG. 8

