



US00D656925S

(12) **United States Design Patent**
Podduturi

(10) **Patent No.:** **US D656,925 S**

(45) **Date of Patent:** **** Apr. 3, 2012**

(54) **THREE-DIMENSIONAL ANTENNA**

(75) Inventor: **Bharadvaj R. Podduturi**, American Canyon, CA (US)

(73) Assignee: **World Products, LLC**, Sonoma, CA (US)

(**) Term: **14 Years**

(21) Appl. No.: **29/397,844**

(22) Filed: **Jul. 21, 2011**

(51) **LOC (9) Cl.** **14-03**

(52) **U.S. Cl.** **D14/230**

(58) **Field of Classification Search** D14/138, D14/230-238, 299, 358; D12/42, 43; 343/700 MS, 343/700 R-705, 711-713, 735, 736, 741, 343/748, 767, 795, 819, 840, 846, 866, 871-908; 455/90.2, 90.3, 91, 128, 269, 344, 347, 562.1
See application file for complete search history.

(56) **References Cited**

U.S. PATENT DOCUMENTS

6,239,765	B1	5/2001	Johnson et al.	
6,734,825	B1	5/2004	Guo et al.	
6,861,986	B2	3/2005	Fang et al.	
6,940,463	B2	9/2005	Ittipiboon et al.	
D535,290	S	1/2007	Su et al.	
D554,111	S	10/2007	Su et al.	
7,333,067	B2	2/2008	Hung et al.	
D576,614	S *	9/2008	Lee et al.	D14/230
7,429,955	B2 *	9/2008	Tai et al.	343/702
D588,115	S *	3/2009	Yoshioka	D14/230
7,518,567	B2	4/2009	Utagawa et al.	
D592,195	S *	5/2009	Wu et al.	D14/230
D599,334	S	9/2009	Chiang	
7,589,679	B2 *	9/2009	Shih	343/702
D603,851	S	11/2009	Montgomery	
D606,055	S *	12/2009	Wu et al.	D14/230
D607,442	S *	1/2010	Su et al.	D14/230
7,642,967	B2	1/2010	Wang et al.	
7,688,273	B2	3/2010	Montgomery et al.	
7,705,783	B2	4/2010	Rao et al.	
D618,223	S	6/2010	Tsai et al.	

7,755,551	B2	7/2010	Lindackers et al.	
D621,819	S	8/2010	Tsai et al.	
7,821,459	B2	10/2010	Su et al.	
D636,764	S *	4/2011	Mi et al.	D14/230
2005/0073462	A1 *	4/2005	Lin et al.	343/702
2005/0128151	A1 *	6/2005	Kwak et al.	343/702
2005/0190108	A1	9/2005	Lin et al.	
2005/0237260	A1	10/2005	Bancroft	
2007/0040750	A1 *	2/2007	Tai et al.	343/700 MS
2008/0030407	A1	2/2008	Hung et al.	
2009/0002244	A1	1/2009	Woo	
2009/0027273	A1 *	1/2009	Lin et al.	343/700 MS
2009/0033557	A1 *	2/2009	Wei	343/700 MS
2009/0040114	A1 *	2/2009	Okamura et al.	343/700 MS
2009/0058739	A1	3/2009	Konishi	
2009/0135072	A1	5/2009	Ke et al.	
2009/0243935	A1 *	10/2009	Huang et al.	343/700 MS
2010/0026592	A1 *	2/2010	Chen et al.	343/702
2010/0171664	A1 *	7/2010	Yang et al.	343/700 MS
2010/0253582	A1 *	10/2010	Nozawa	343/702

FOREIGN PATENT DOCUMENTS

WO WO 00/01028 1/2000

* cited by examiner

Primary Examiner — John Windmuller

(74) *Attorney, Agent, or Firm* — Patterson Thunte Christensen Pedersen, P.A.

(57) **CLAIM**

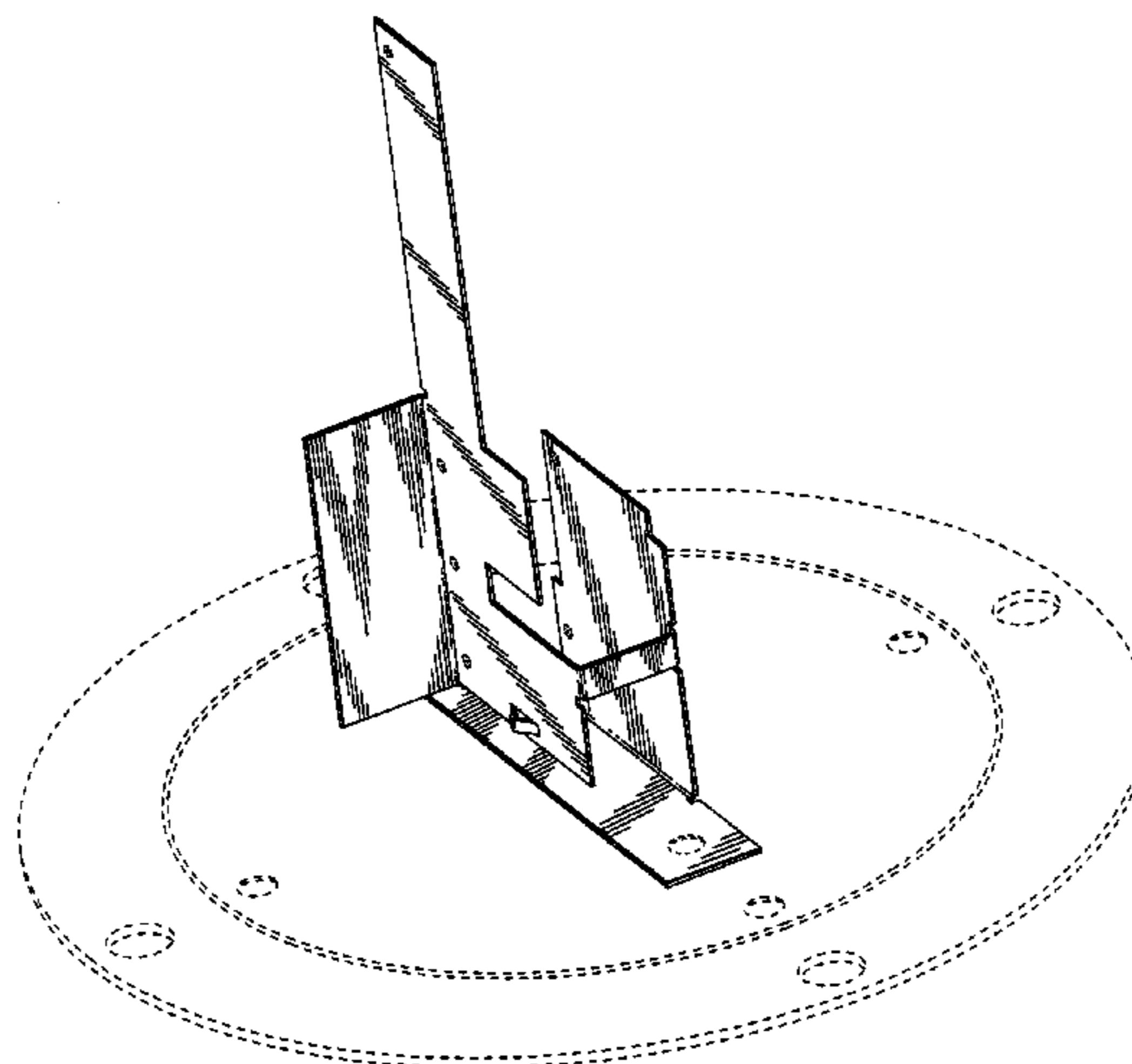
The ornamental design for a three dimensional antenna, as shown.

DESCRIPTION

FIG. 1 is a front perspective view of a three dimensional antenna showing my new design; FIG. 2 is a top plan view thereof; FIG. 3 is a bottom plan view thereof; FIG. 4 is a left-side elevation view thereof; FIG. 5 is a right-side elevation view thereof; FIG. 6 is a front view thereof; and, FIG. 7 is a rear view thereof.

The broken lines in the figures illustrate environment only and form no part of the claimed design.

1 Claim, 7 Drawing Sheets



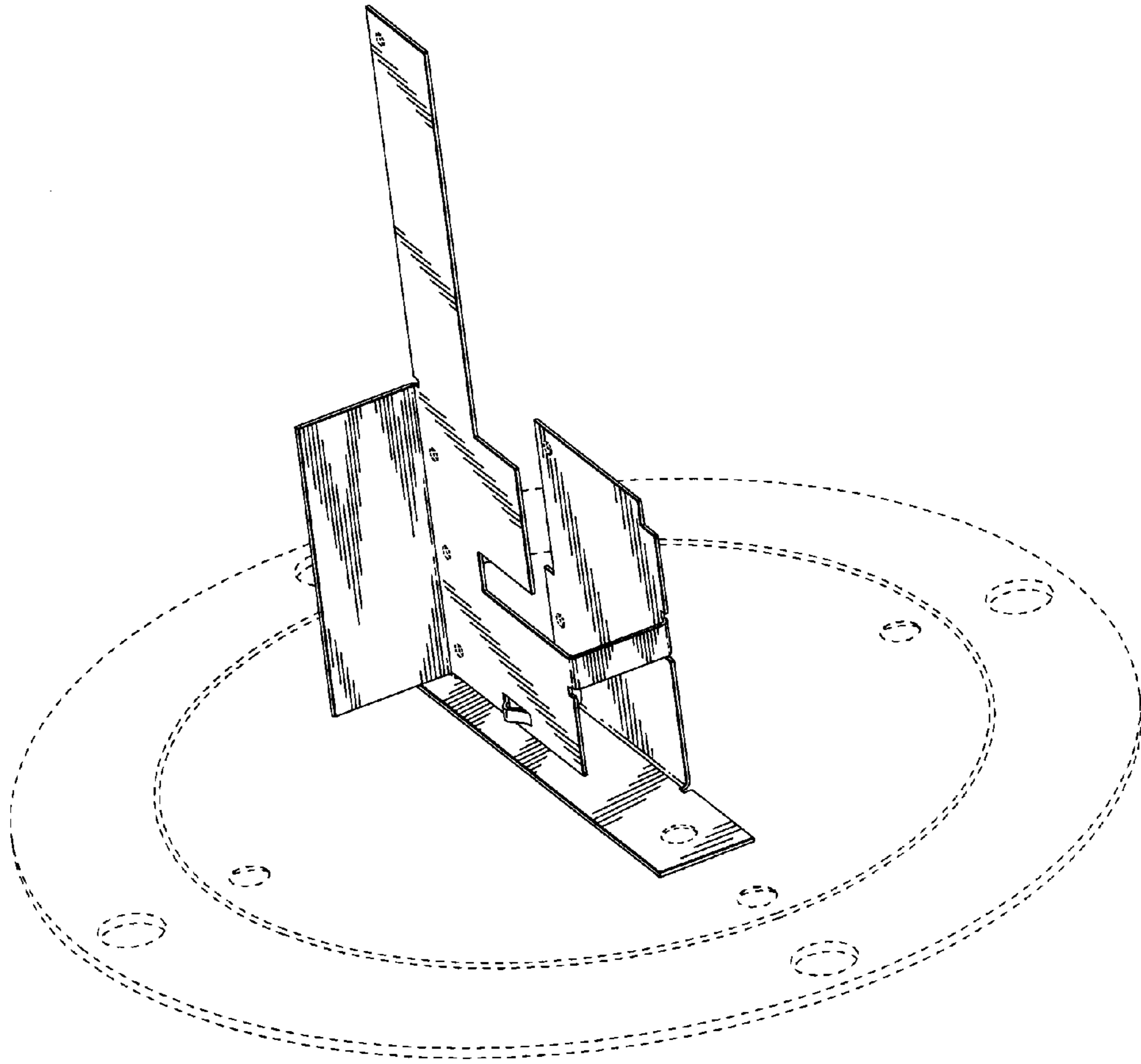


Fig. 1

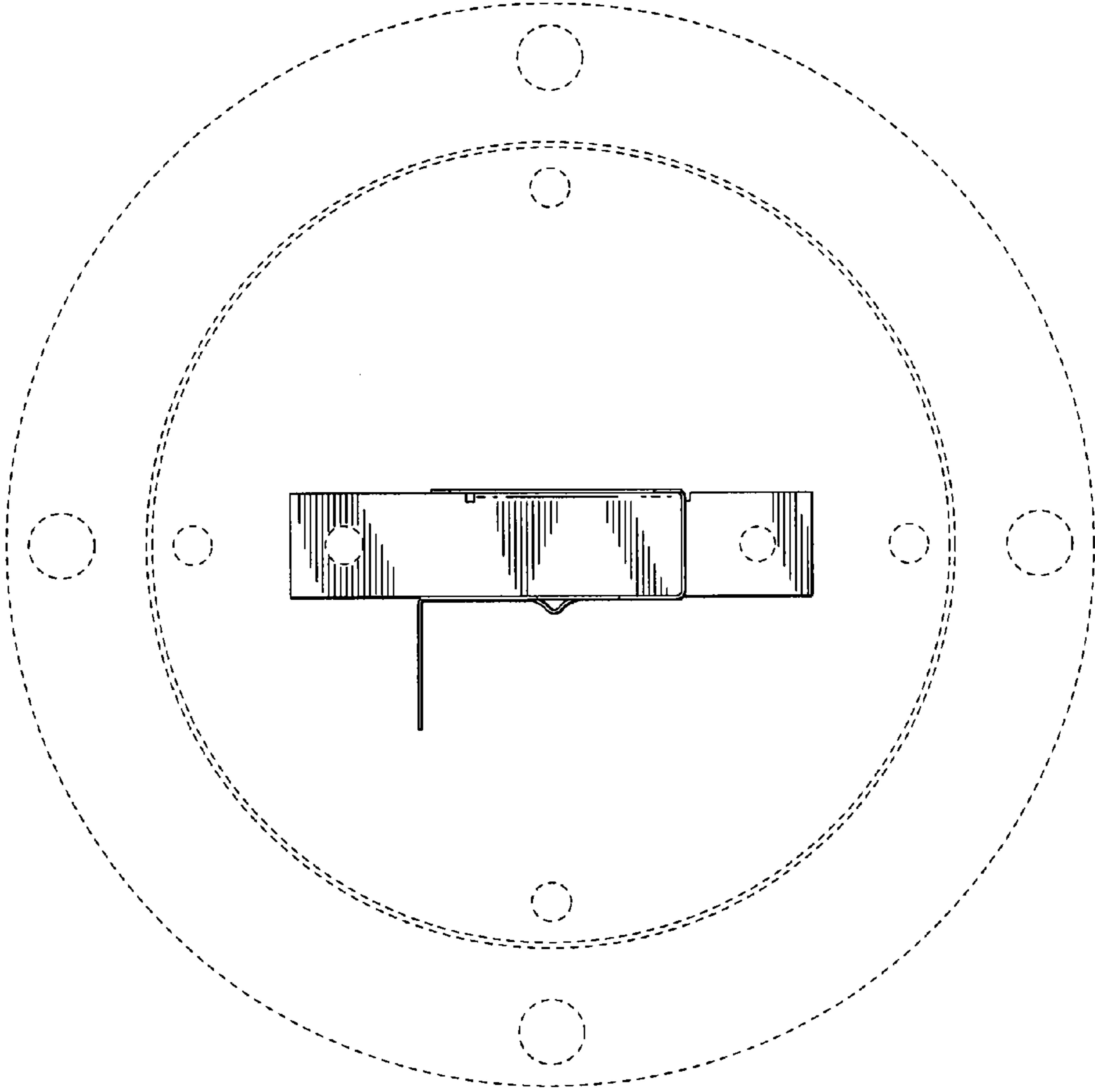


Fig. 2

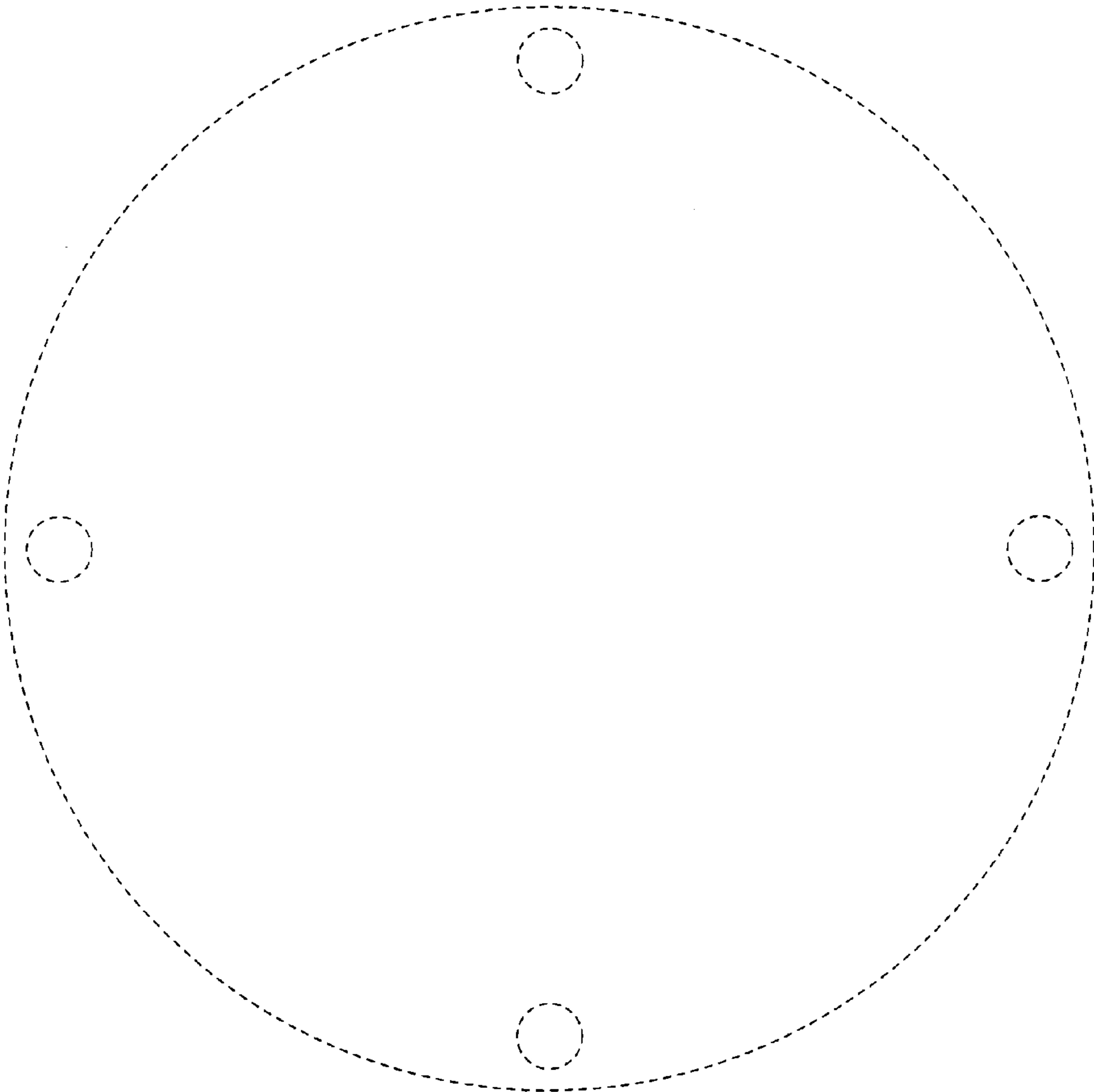


Fig. 3

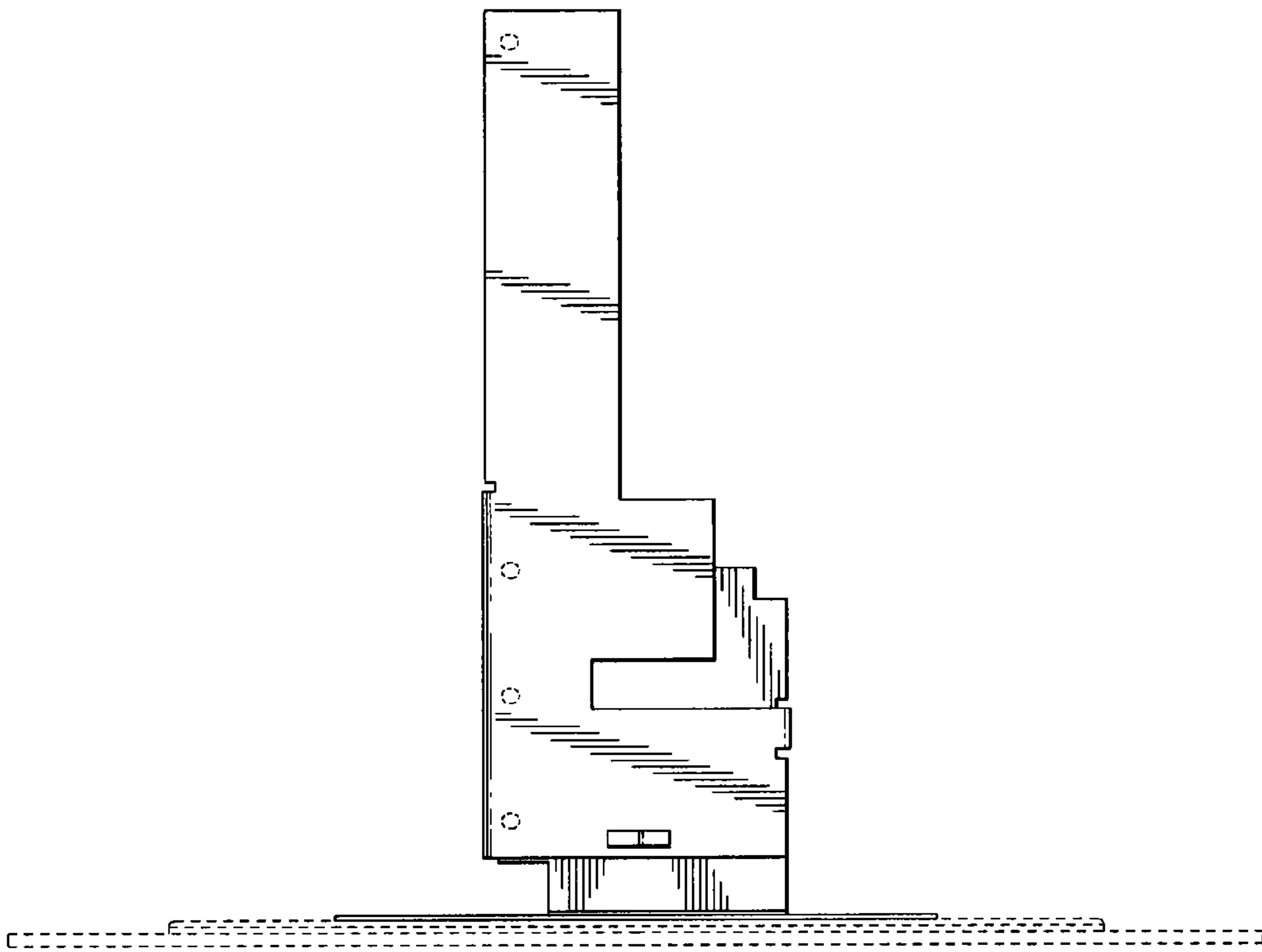


Fig. 4

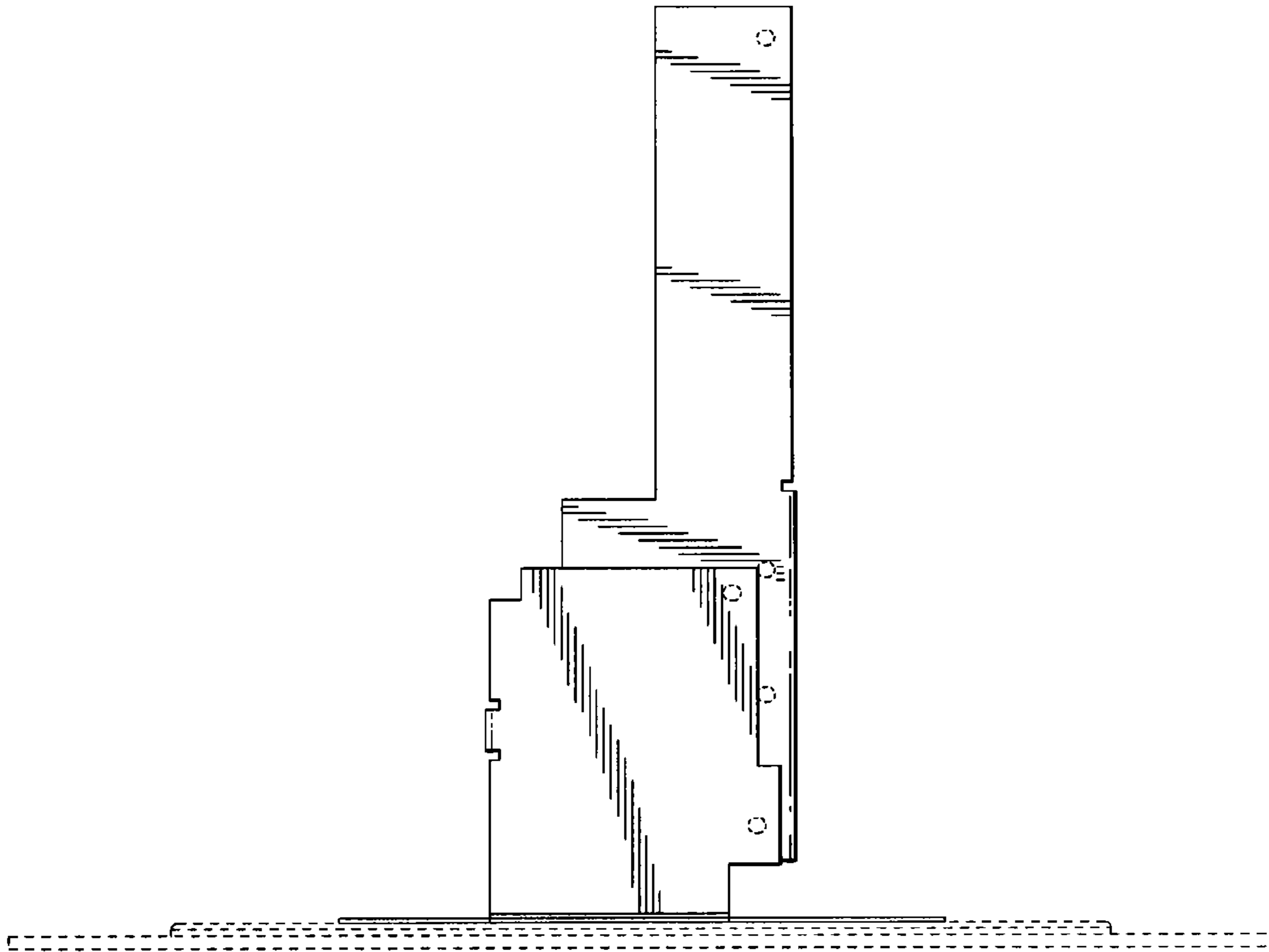


Fig. 5

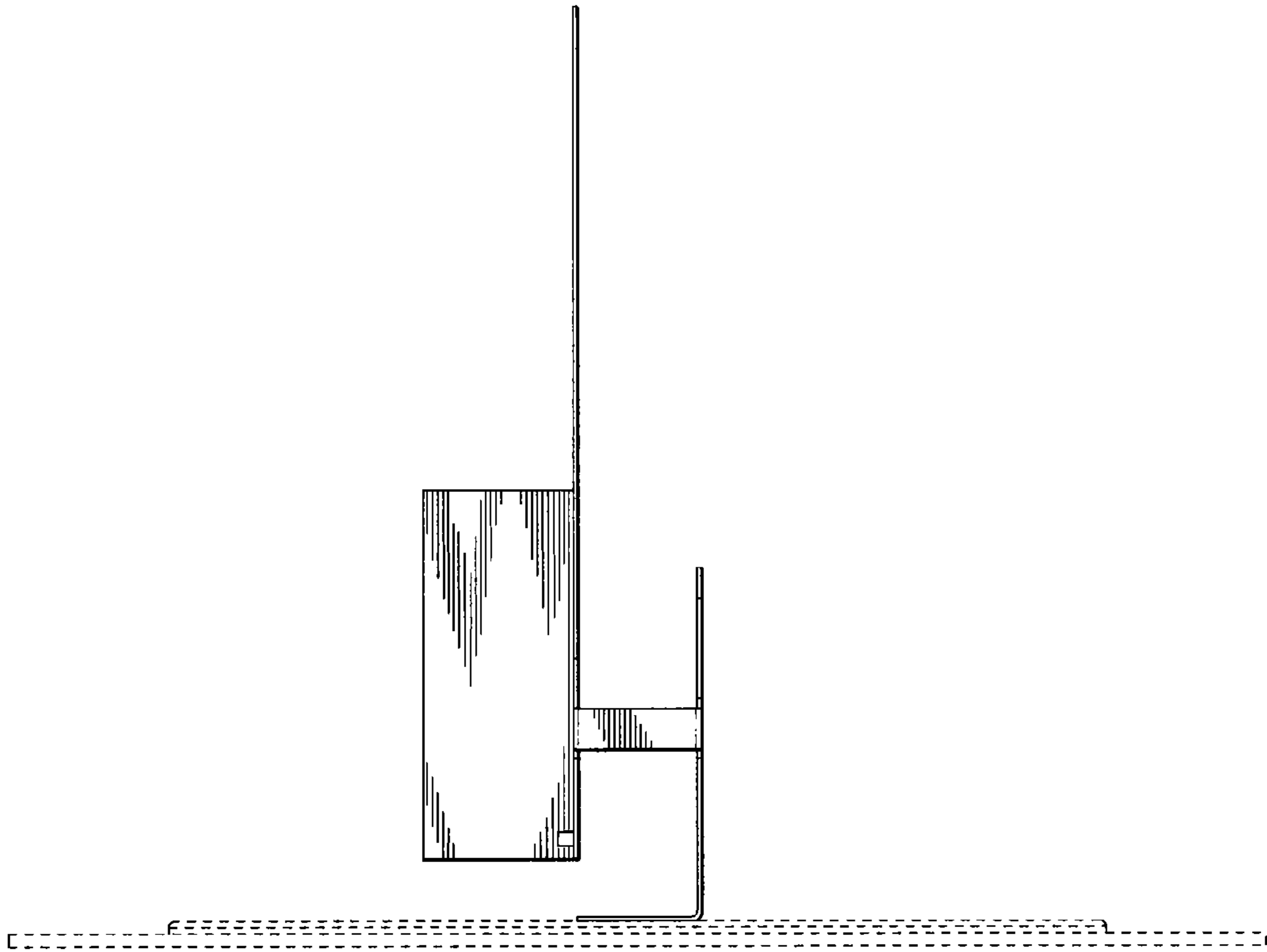


Fig. 6

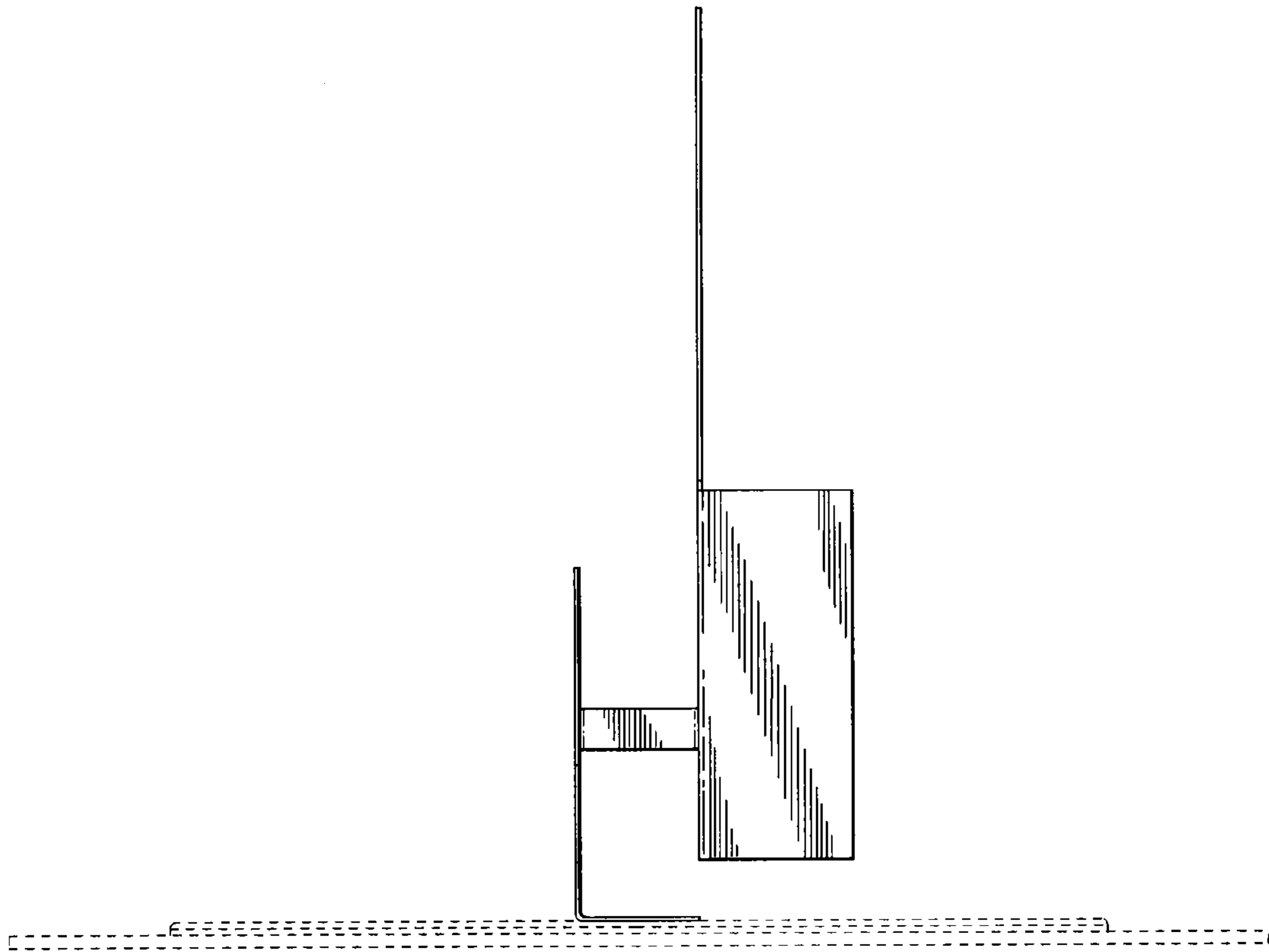


Fig. 7