



US00D656924S

(12) **United States Design Patent**
Mehlsen et al.

(10) **Patent No.:** **US D656,924 S**

(45) **Date of Patent:** **** Apr. 3, 2012**

(54) **WIRELESS MICROPHONE**

(75) Inventors: **Maria Mehlsen**, Copenhagen (DK);
Anders Thule, Smørum (DK); **Michael Porsbo**, Smørum (DK)

(73) Assignee: **Oticon A/S**, Smorum (DK)

(**) Term: **14 Years**

(21) Appl. No.: **29/399,109**

(22) Filed: **Aug. 9, 2011**

(30) **Foreign Application Priority Data**

Feb. 10, 2011 (EM) 001819566-0001

(51) **LOC (9) Cl.** **14-01**

(52) **U.S. Cl.** **D14/226**

(58) **Field of Classification Search** D14/137,
D14/138, 159, 168, 191, 431, 225-229, 224,
D14/242, 155, 167, 203.3, 194, 192, 496;
D13/168; D12/417; 340/825.69; 381/364,
381/365; 455/95, 569.1; 348/148
See application file for complete search history.

(56) **References Cited**

U.S. PATENT DOCUMENTS

D321,880 S * 11/1991 Emmerling D14/192
D398,304 S * 9/1998 Murray et al. D14/137
D511,770 S * 11/2005 Chung D14/480.5
D541,784 S * 5/2007 Cho et al. D14/138 AD
D558,742 S * 1/2008 Koller et al. D14/225

D573,957 S * 7/2008 Ledbetter et al. D13/168
D581,943 S 12/2008 Pedersen
D602,918 S * 10/2009 Bodley et al. D14/225
D602,919 S * 10/2009 Bodley et al. D14/225
D604,723 S * 11/2009 Bodley et al. D14/225
D608,767 S * 1/2010 Liner D14/225
D611,458 S * 3/2010 Li D14/225
D613,273 S * 4/2010 Liner et al. D14/223
D622,708 S * 8/2010 Gentner et al. D14/225
D625,713 S * 10/2010 Yang D14/223
D632,283 S * 2/2011 Cheng D14/225
D635,125 S * 3/2011 Nousiainen D14/223
D638,409 S * 5/2011 Walter D14/240

* cited by examiner

Primary Examiner — Austin Murphy

(74) *Attorney, Agent, or Firm* — Birch, Stewart, Kolasch & Birch, LLP

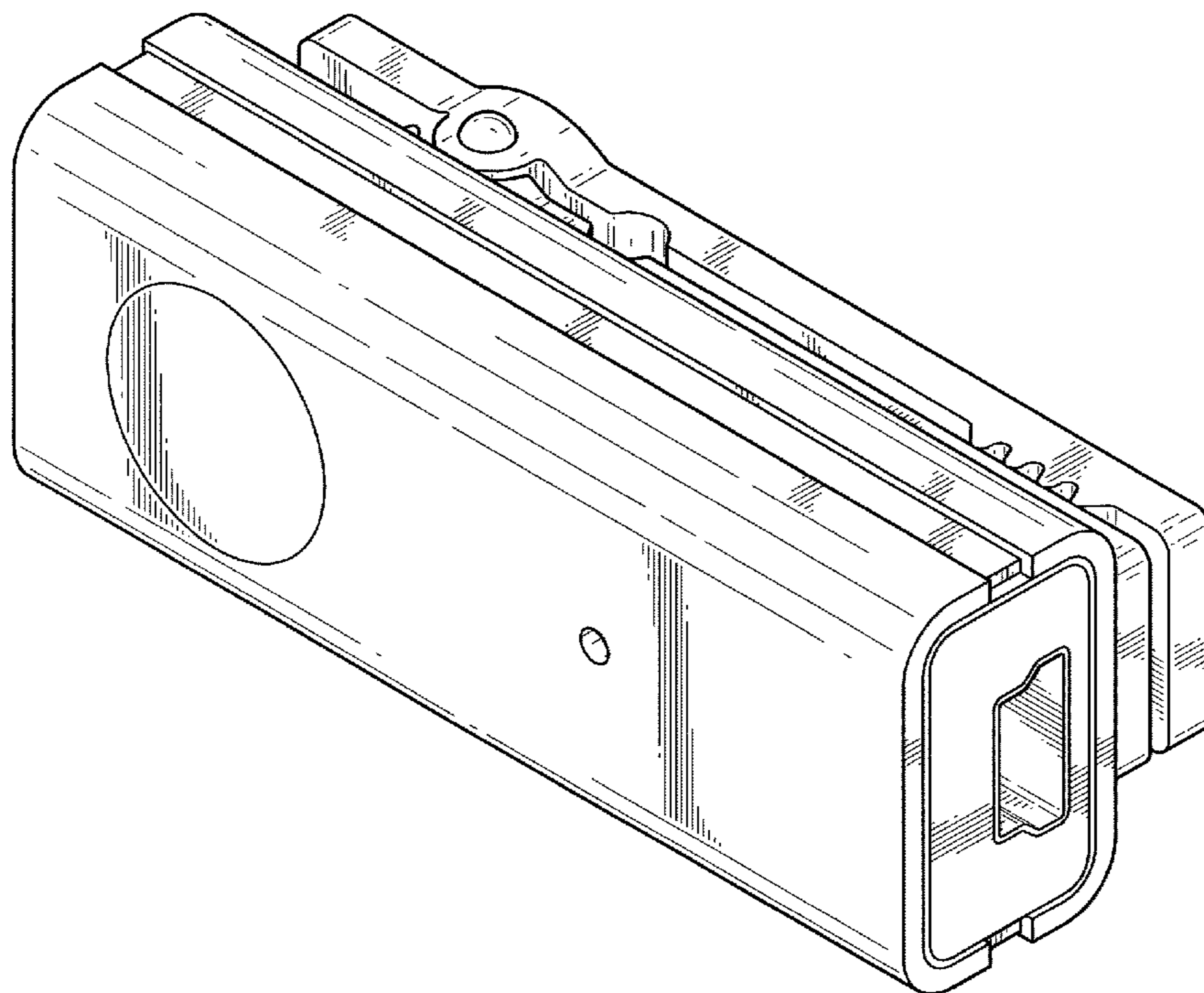
(57) **CLAIM**

The ornamental design for a wireless microphone, as shown and described.

DESCRIPTION

FIG. 1 is a perspective view of the wireless microphone; FIG. 2 is a rear view of the wireless microphone; FIG. 3 is a bottom view of the wireless microphone; FIG. 4 is a left side view of the wireless microphone; FIG. 5 is a front view of the wireless microphone; FIG. 6 is a right side view of the wireless microphone; and, FIG. 7 is a top view of the wireless microphone. The portions of the wireless microphone shown in broken lines do not form part of the claimed design.

1 Claim, 7 Drawing Sheets



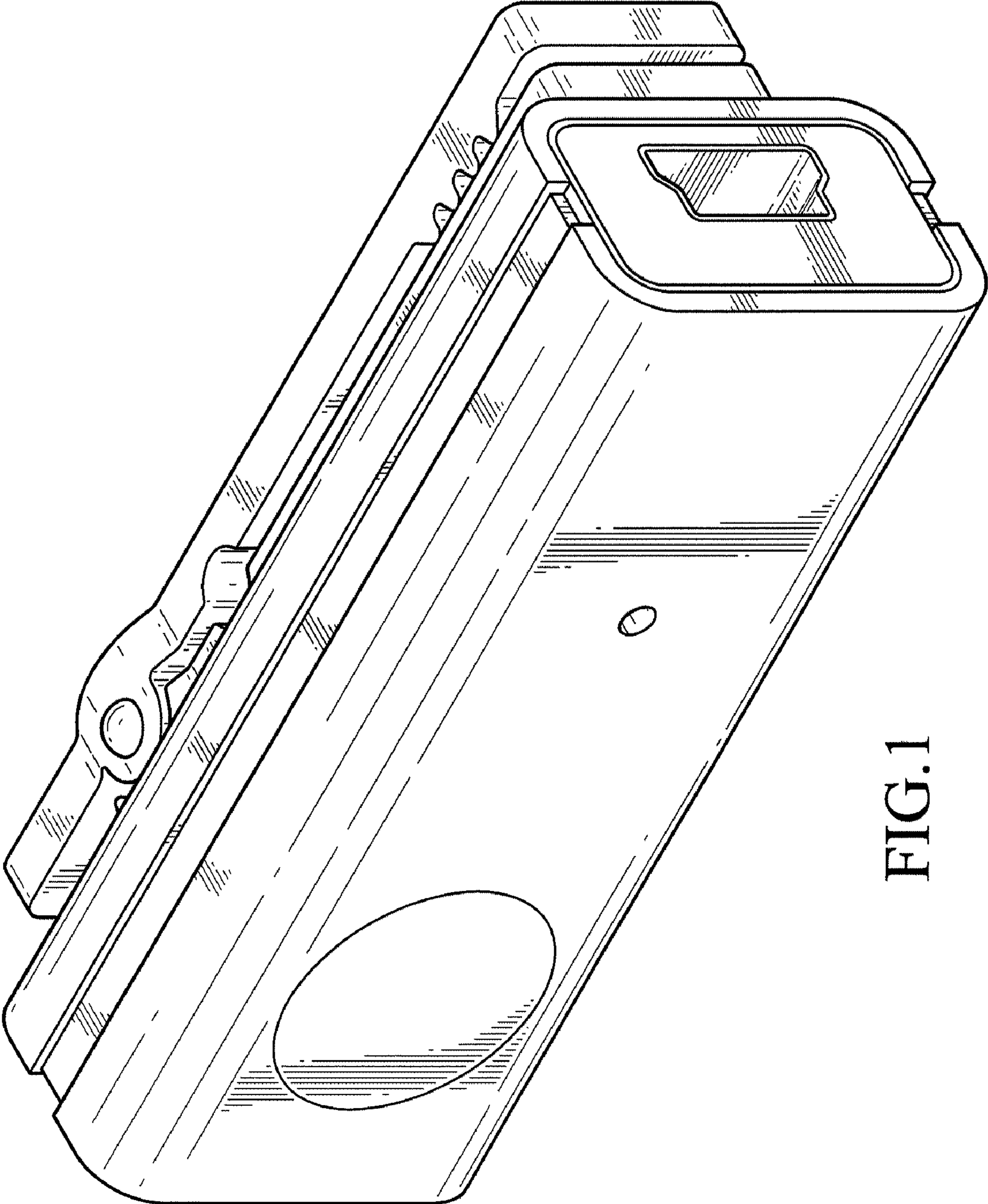


FIG.1

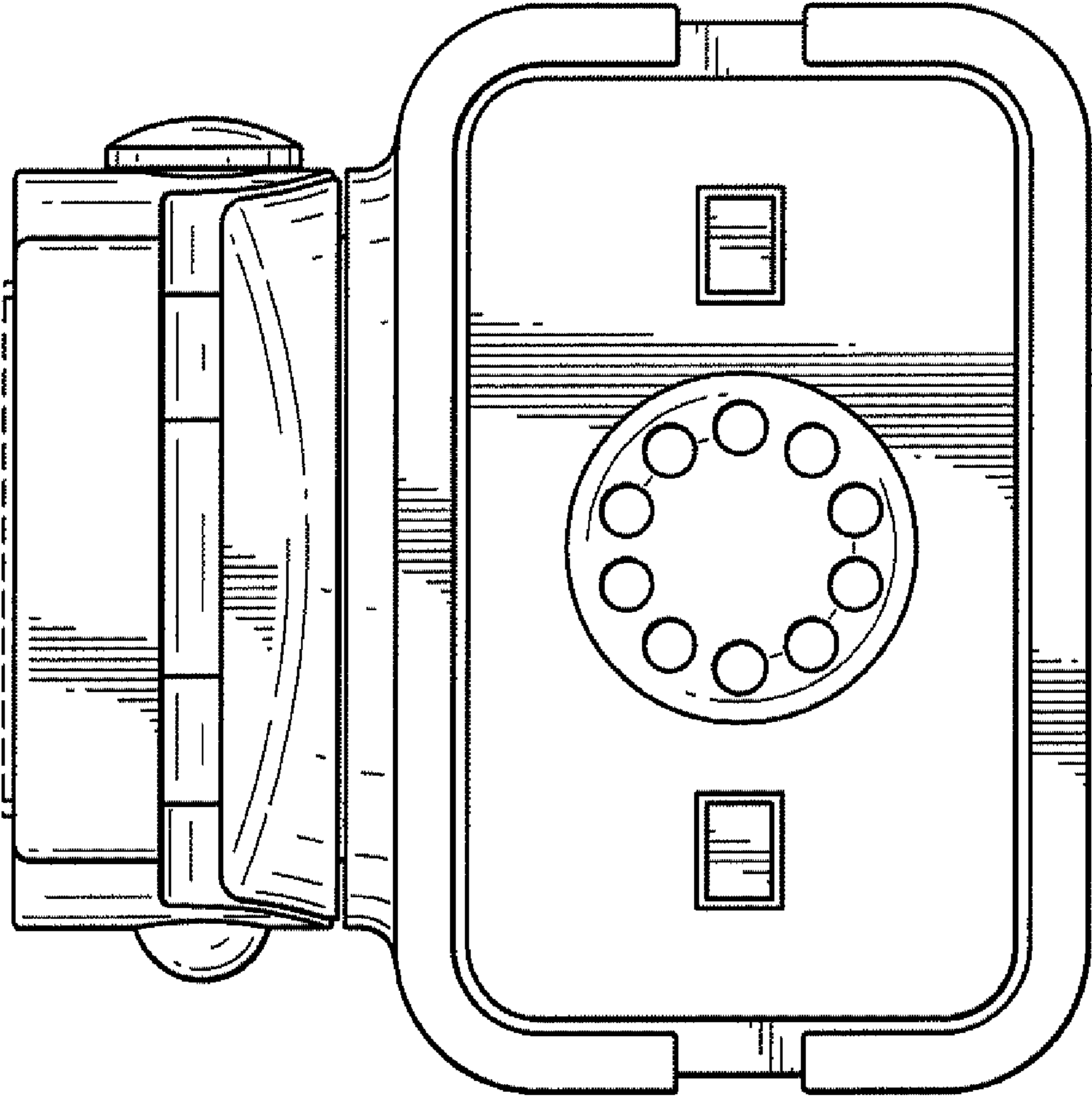


FIG.2

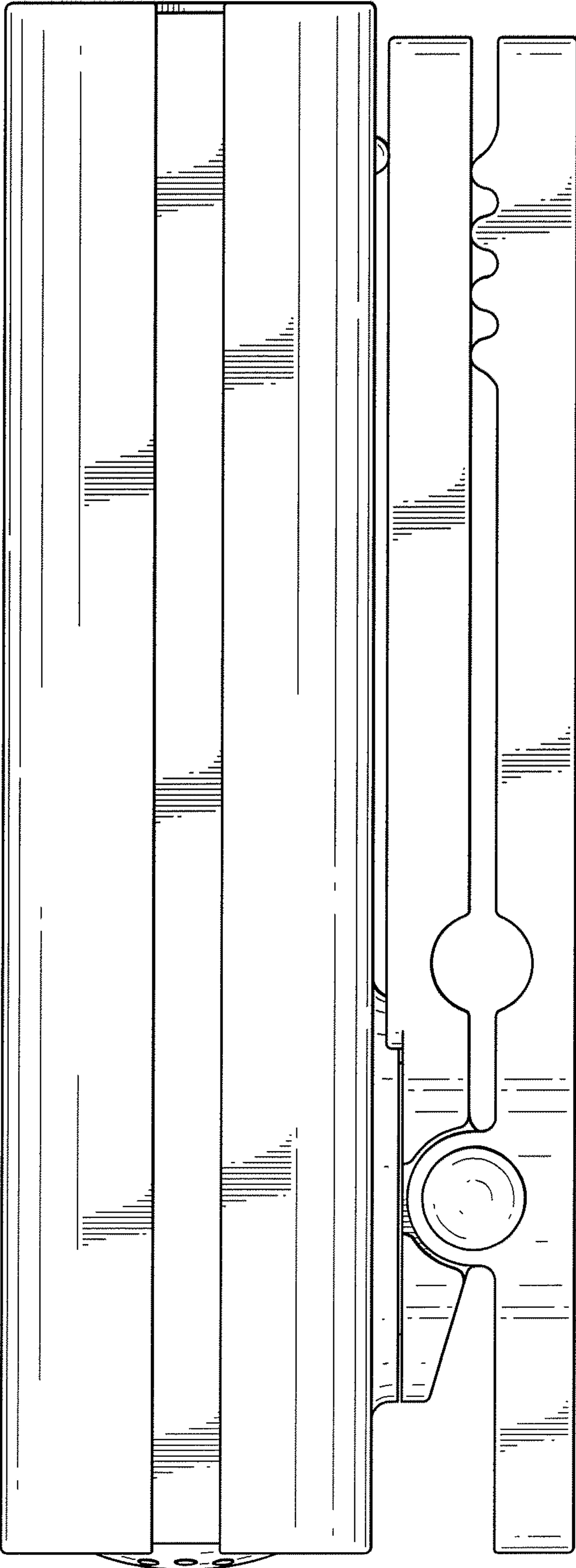


FIG.3

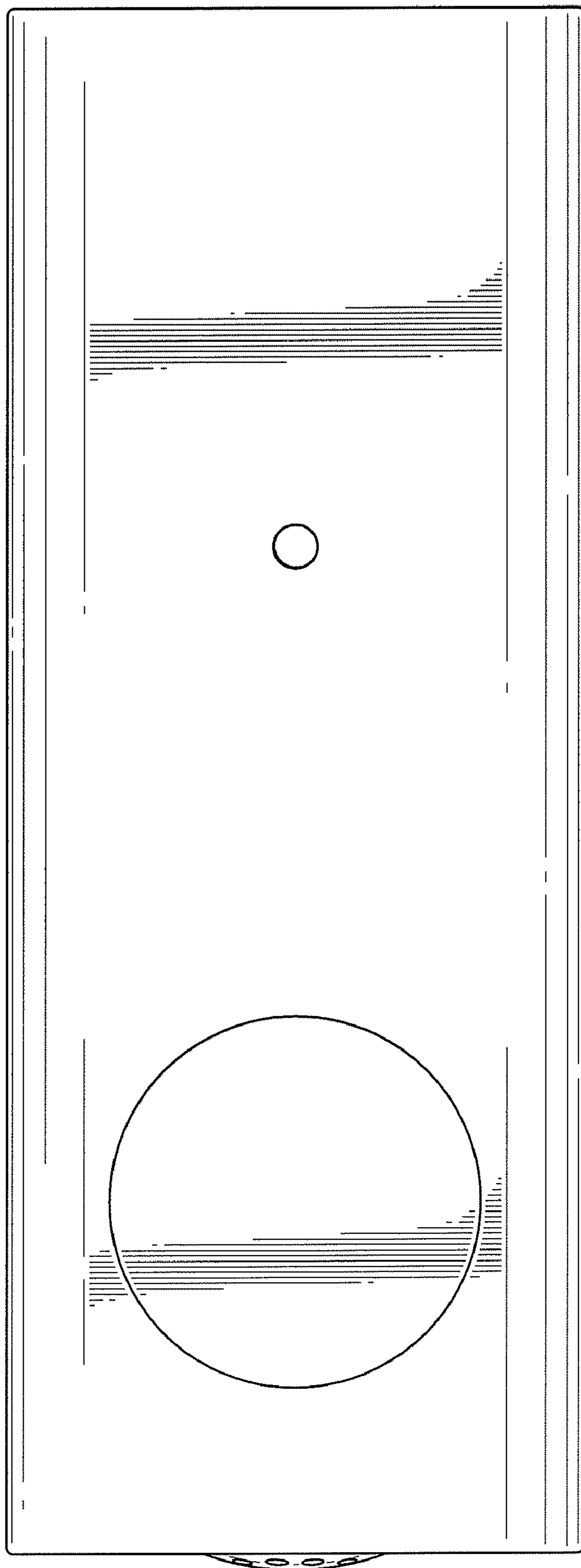


FIG.4

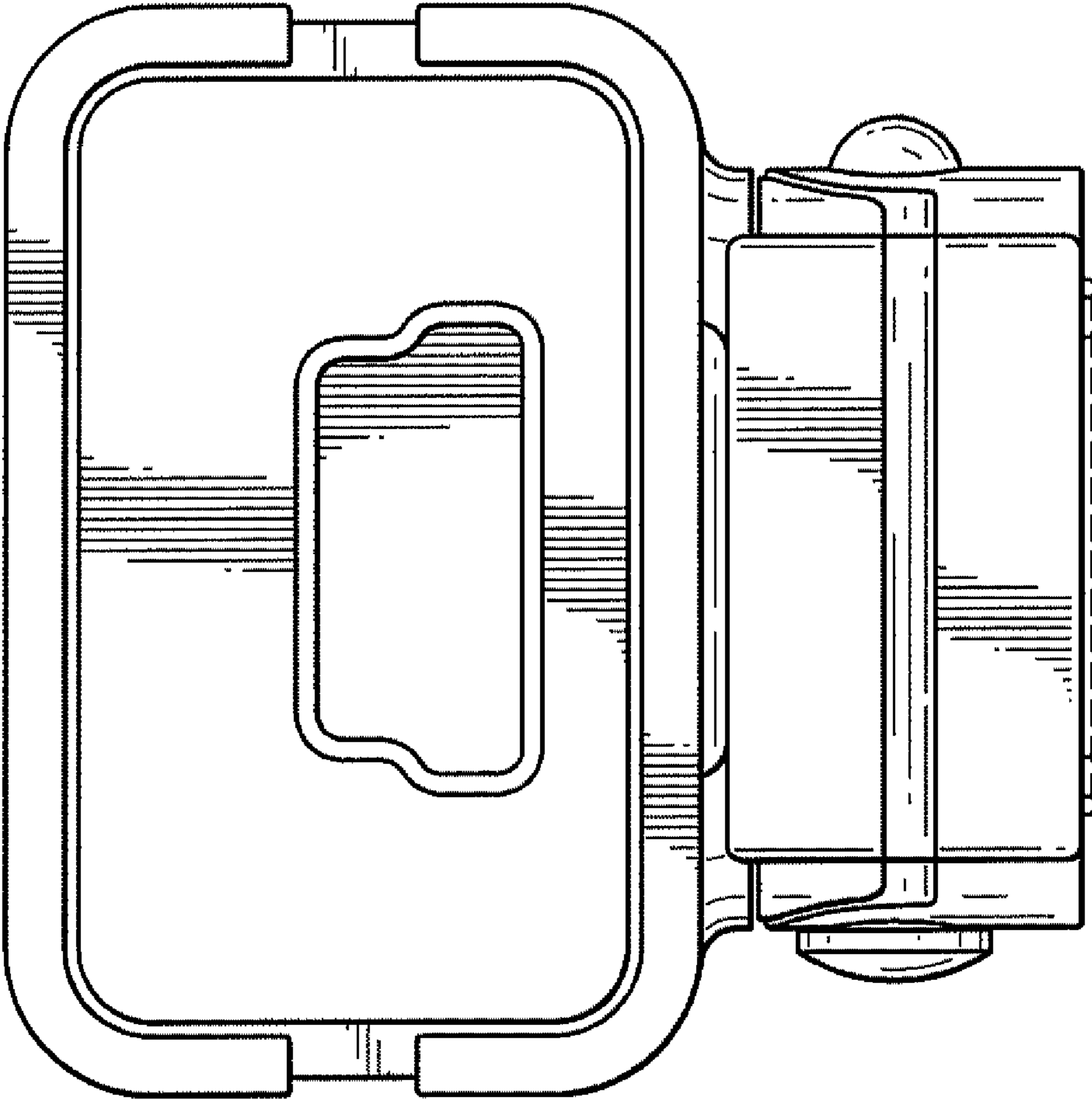


FIG.5

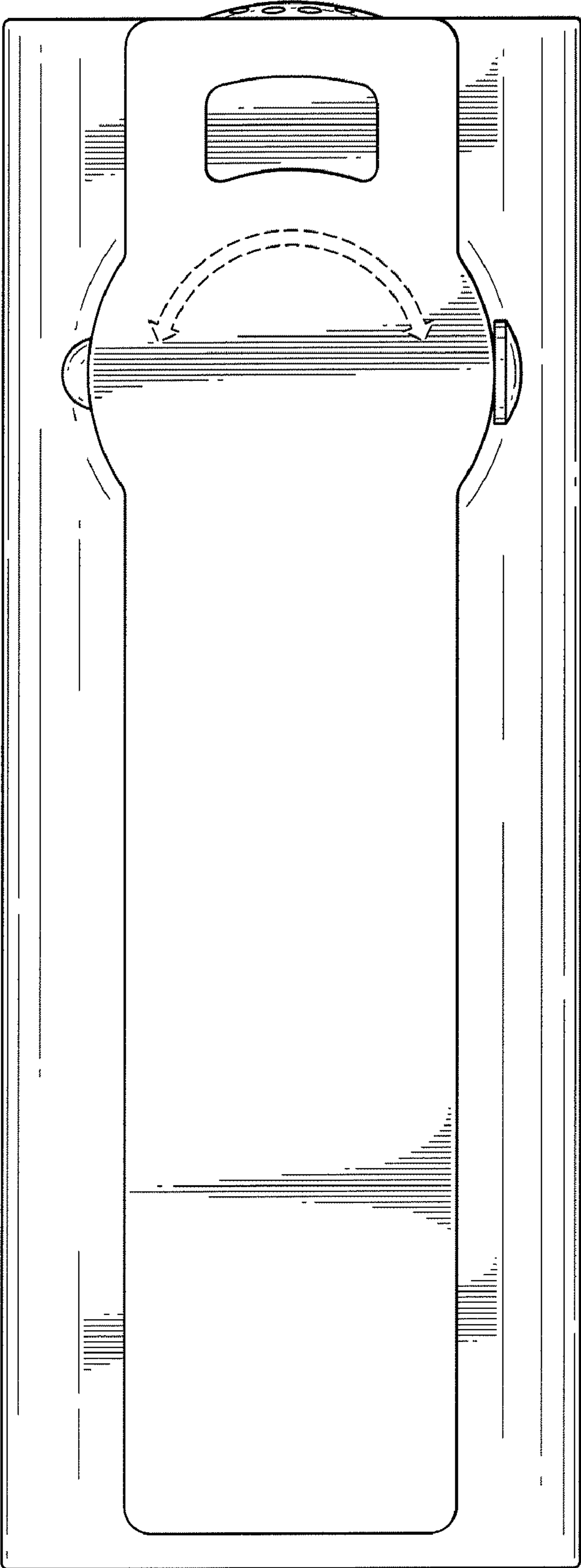


FIG.6

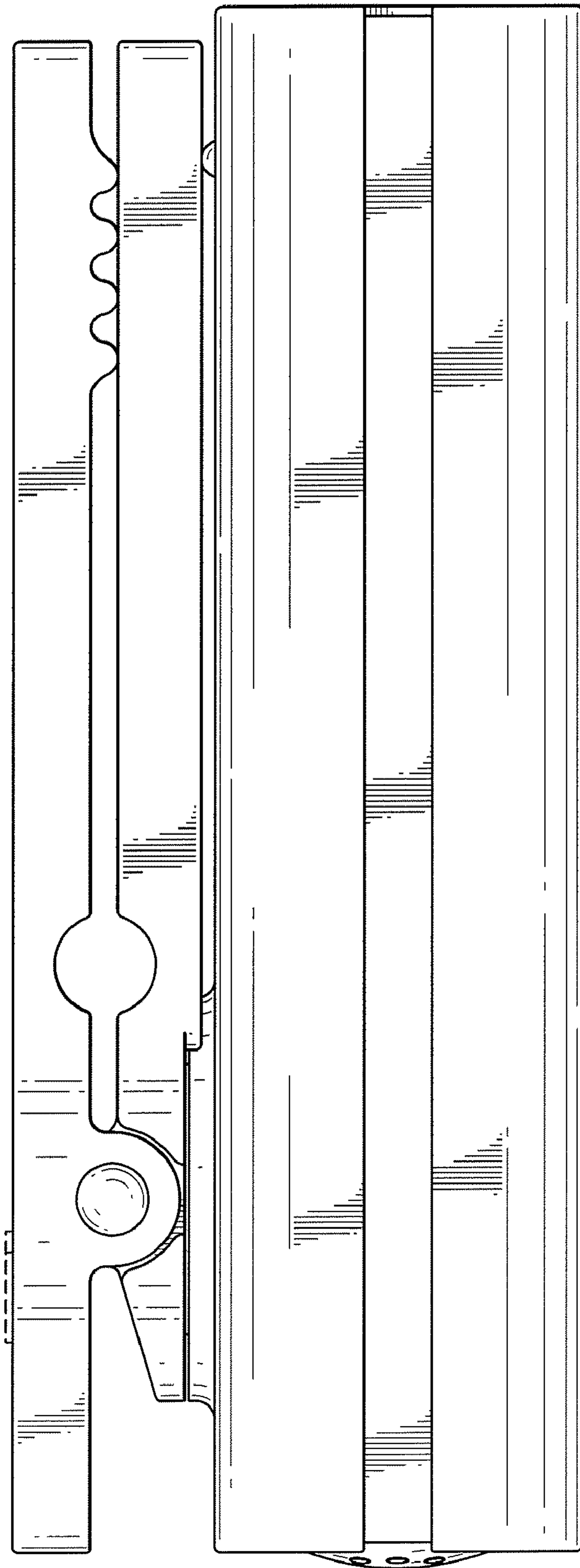


FIG. 7