



US00D656923S

(12) **United States Design Patent**
Hecoeks

(10) **Patent No.:** **US D656,923 S**

(45) **Date of Patent:** **** Apr. 3, 2012**

(54) **HOLDER FOR RACK-MOUNTING AUDIO EQUIPMENT**

Primary Examiner — Nanda Bondade

(74) *Attorney, Agent, or Firm* — Gordon & Rees LLP

(76) Inventor: **Clay Hecoeks**, Coral Springs, FL (US)

(57) **CLAIM**

The ornamental design for a holder for rack-mounting audio equipment device, as shown and described.

(**) Term: **14 Years**

(21) Appl. No.: **29/383,691**

DESCRIPTION

(22) Filed: **Jan. 20, 2011**

(51) **LOC (9) Cl.** **14-01**

(52) **U.S. Cl.** **D14/224**

(58) **Field of Classification Search** D14/217,
D14/224, 299, 433, 434, 447; 248/205.1,
248/205.2, 206.1, 214, 228.1, 235, 250, 309.1,
248/455, 477; 361/679.41; 379/454, 455
See application file for complete search history.

FIG. 1 is a perspective view of the holder for rack-mounting audio equipment.

FIG. 2 is a front elevation view of the holder for rack-mounting audio equipment.

FIG. 3 is a rear elevation view of the holder for rack-mounting audio equipment.

FIG. 4 is a top plan view of the holder for rack-mounting audio equipment.

FIG. 5 is a bottom plan view of the holder for rack-mounting audio equipment.

FIG. 6 is a left side elevation view of the holder for rack-mounting audio equipment; and,

FIG. 7 is a right side elevation view of the holder for rack-mounting audio equipment.

The broken line showing is for illustrative purposes and forms no part of the claimed design.

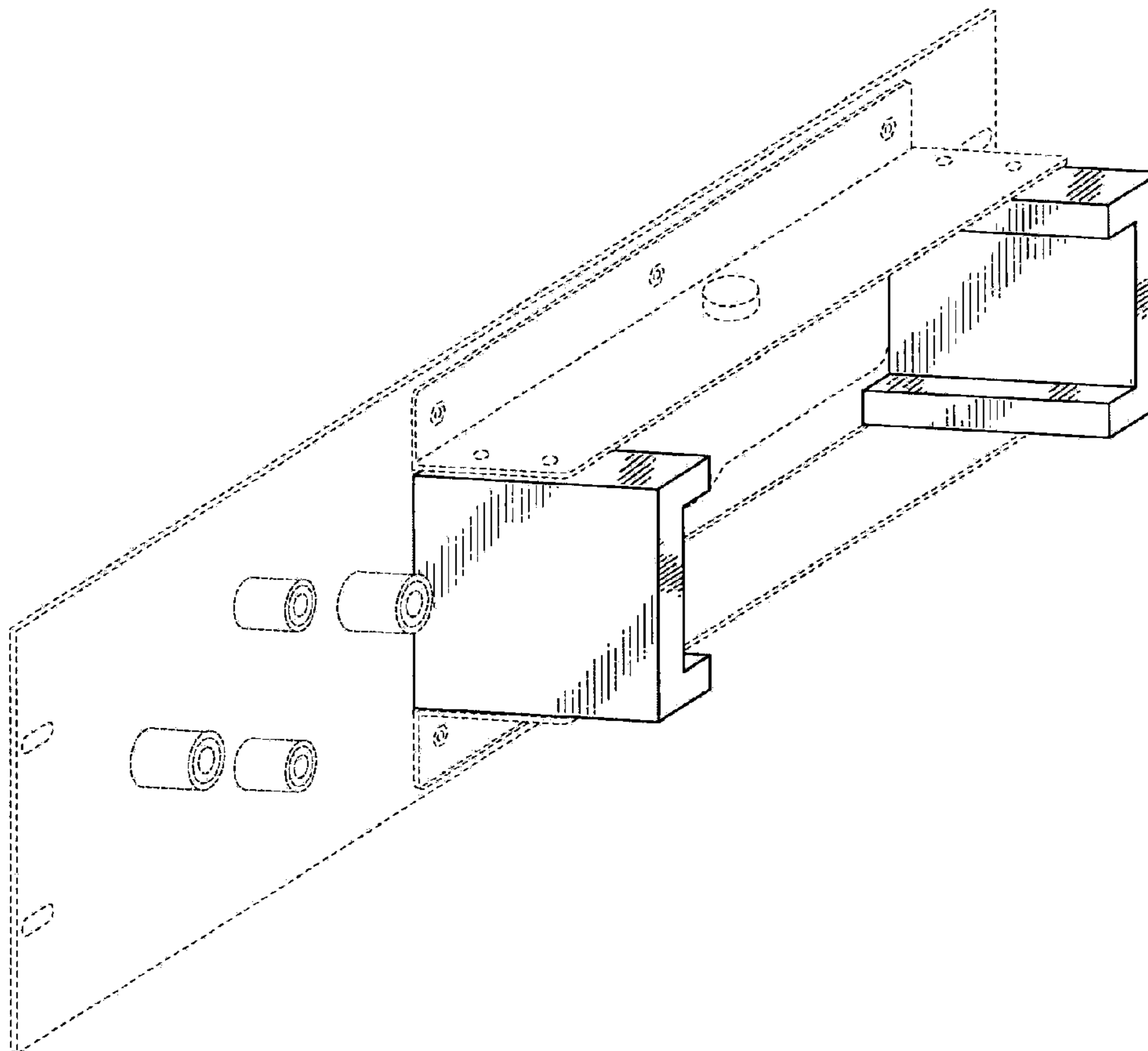
(56) **References Cited**

U.S. PATENT DOCUMENTS

4,998,277	A *	3/1991	Rioux, Jr.	379/454
5,295,649	A *	3/1994	Lee	248/205.2
6,135,402	A *	10/2000	Hatano et al.	248/235
D467,930	S *	12/2002	Hwang	D14/447
D582,486	S *	12/2008	Ashida et al.	D21/333
D605,233	S *	12/2009	Ashida et al.	D21/333

* cited by examiner

1 Claim, 4 Drawing Sheets



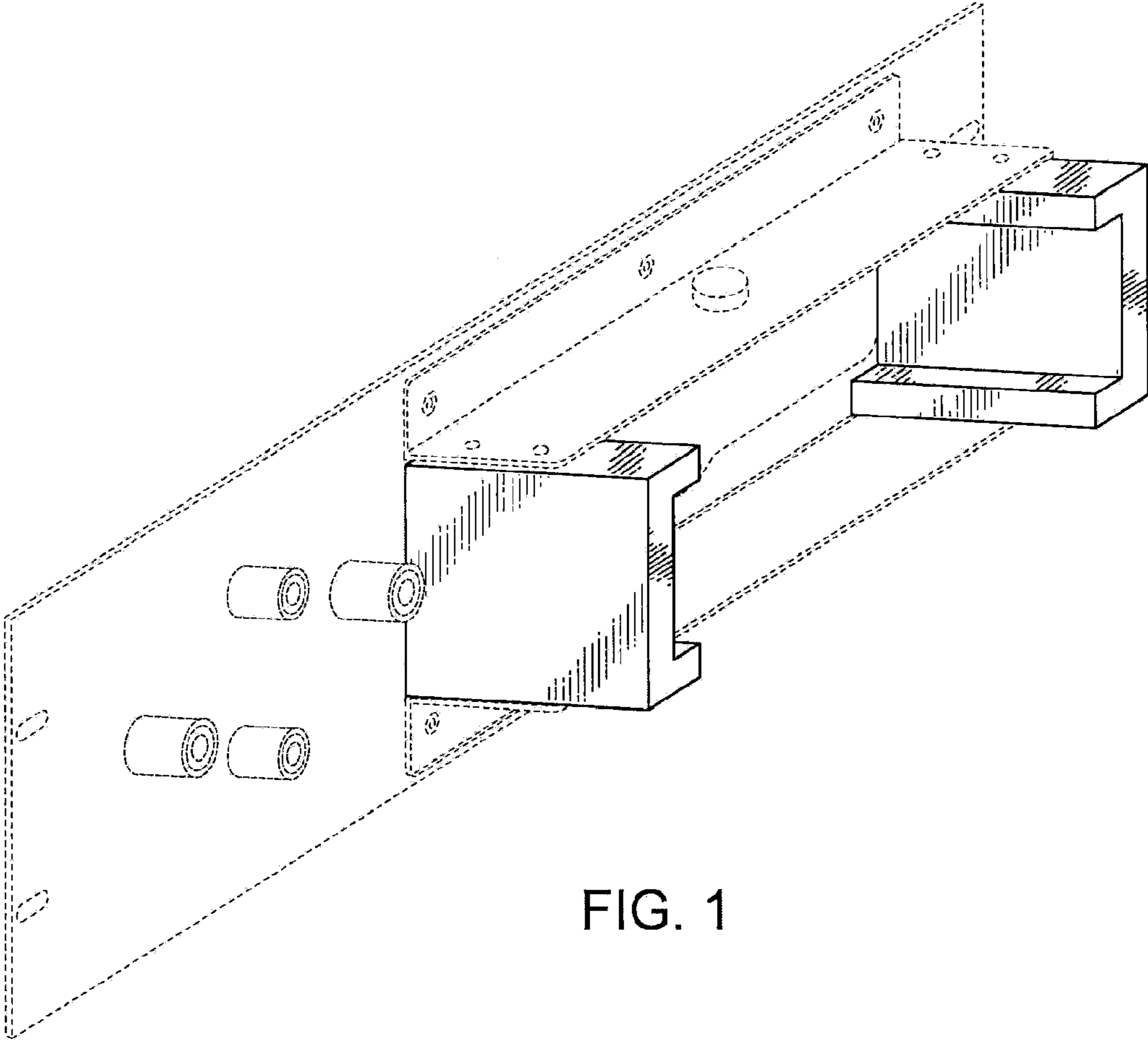


FIG. 1

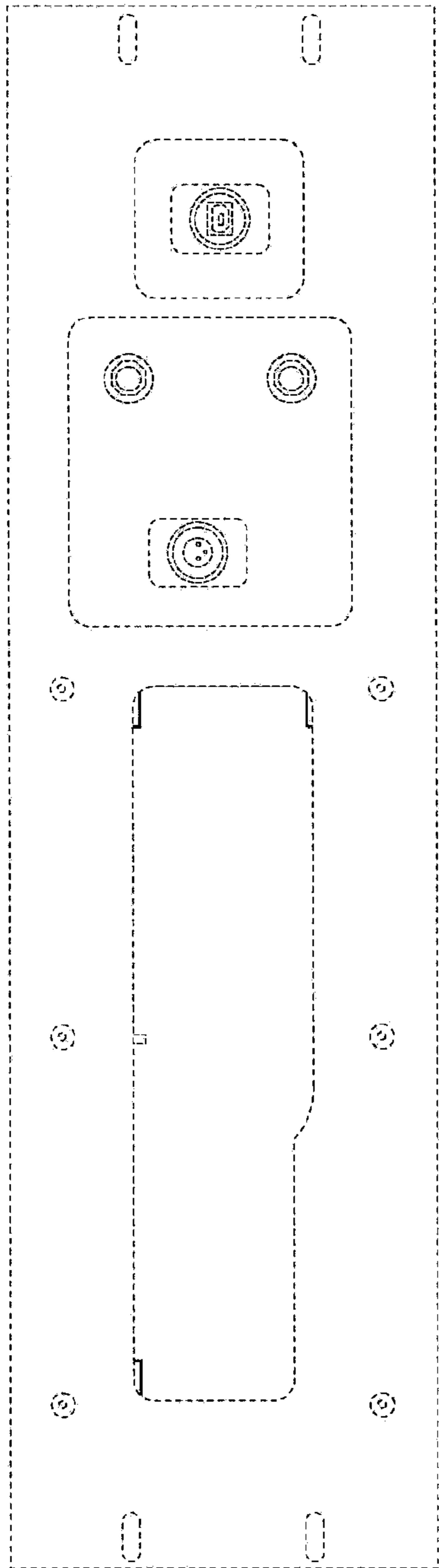


FIG. 2

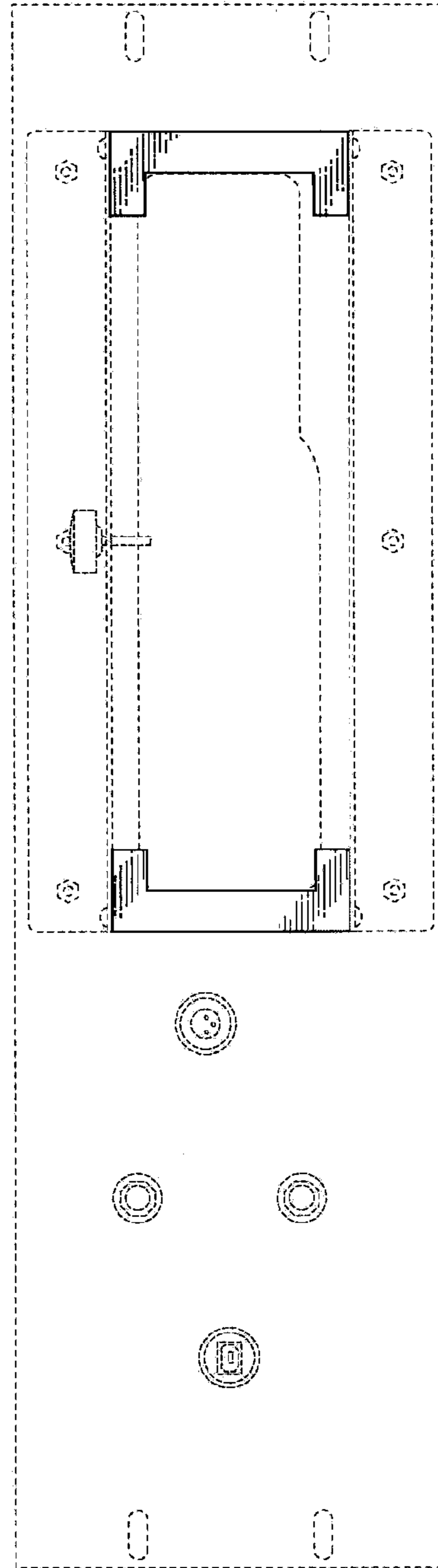


FIG. 3

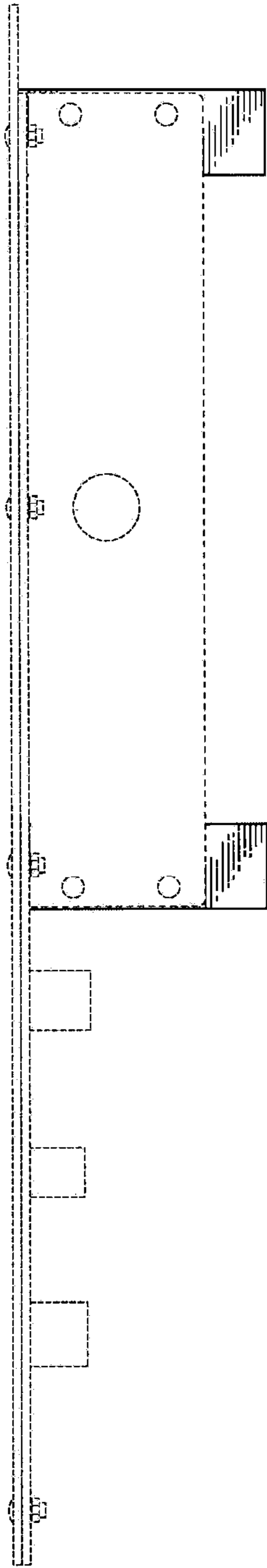


FIG. 4

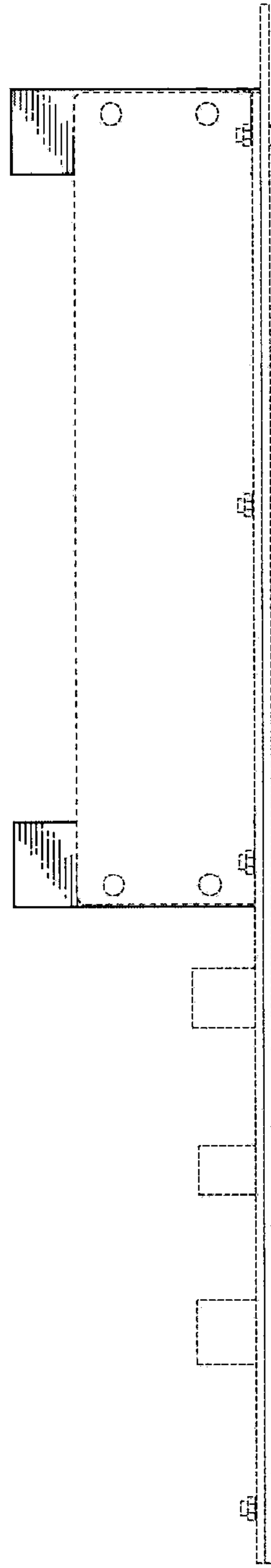


FIG. 5

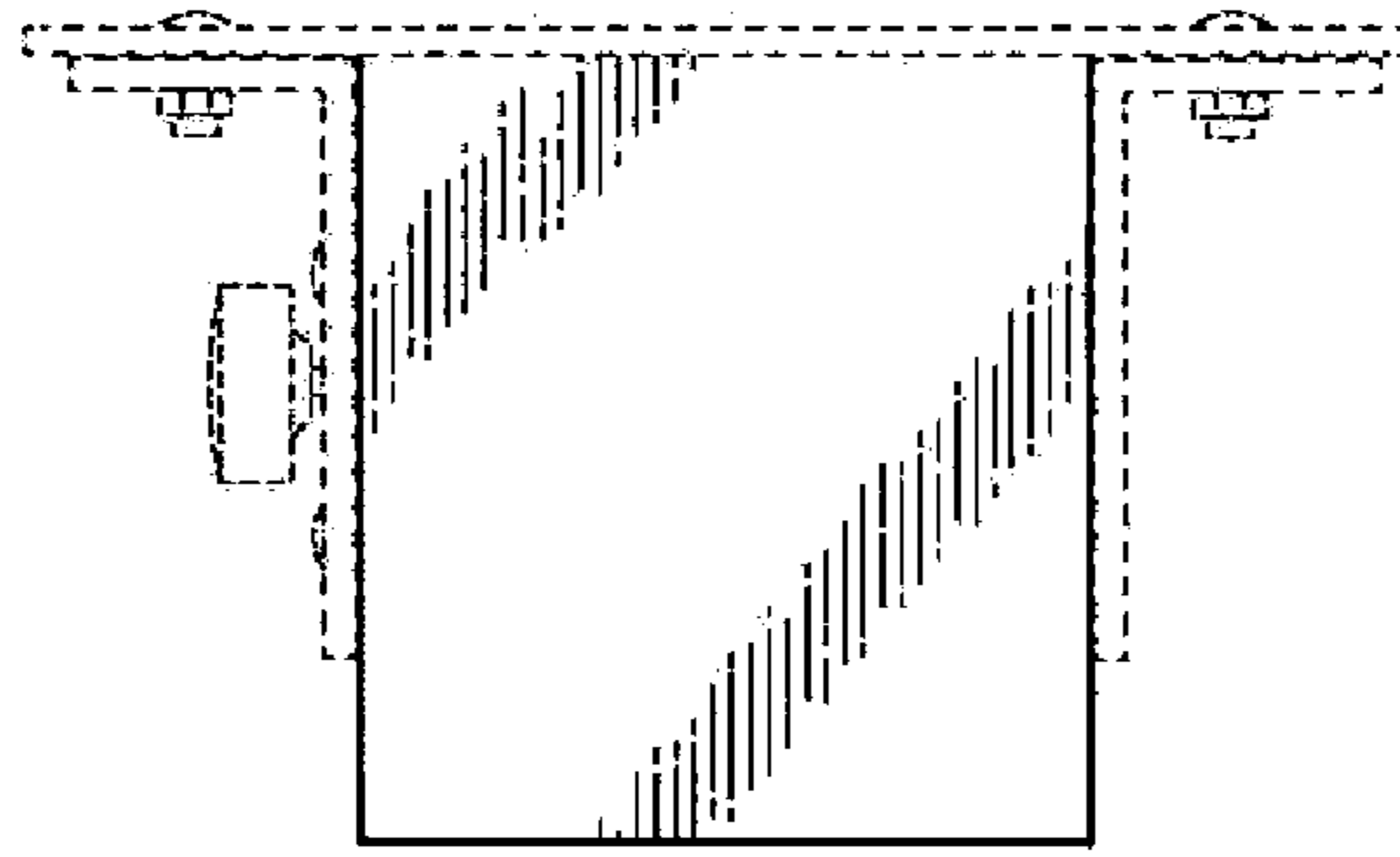


FIG. 7

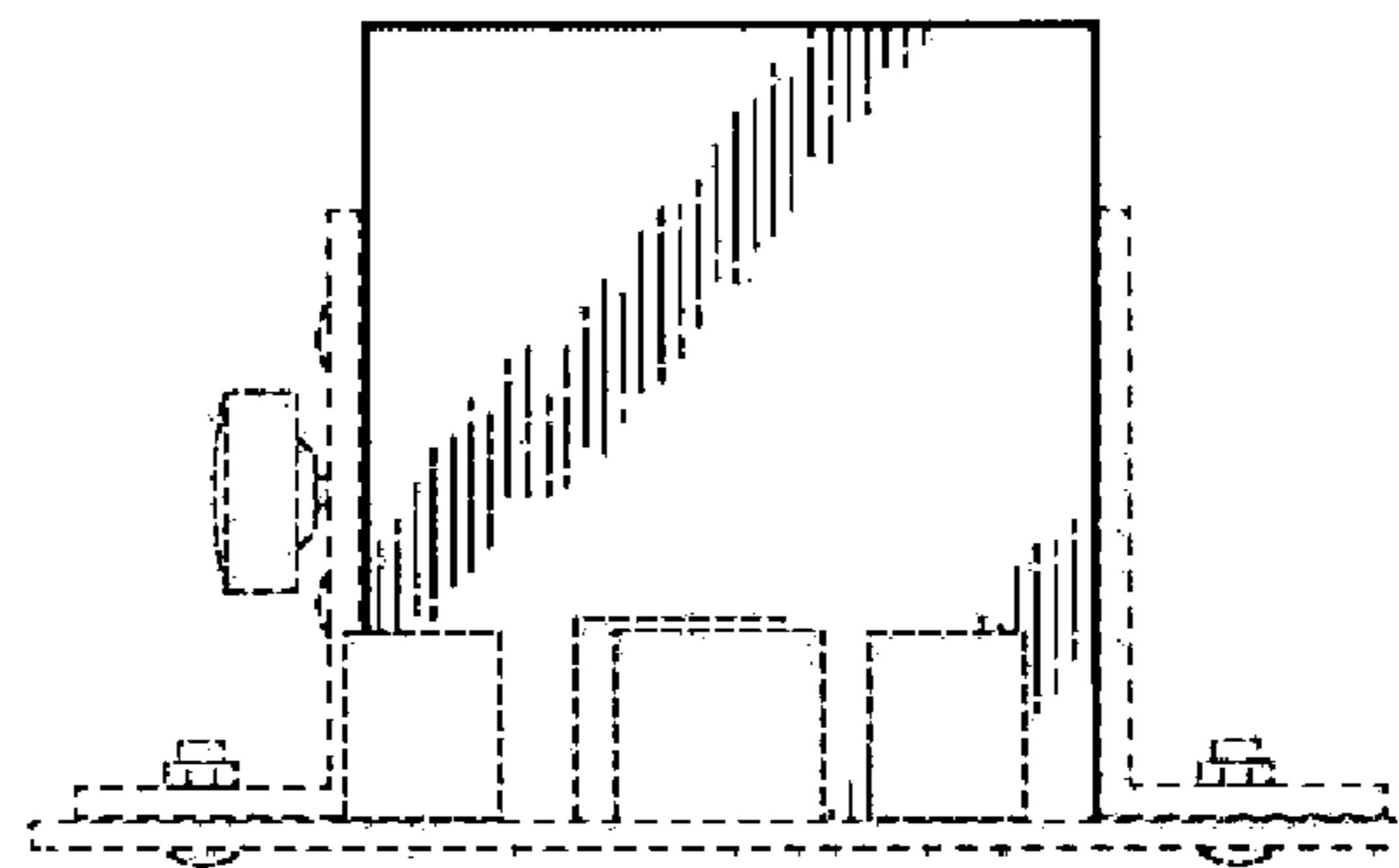


FIG. 6