



US00D656921S

(12) **United States Design Patent**
Chen

(10) **Patent No.:** **US D656,921 S**

(45) **Date of Patent:** **** Apr. 3, 2012**

(54) **DIAPHRAGM**

(75) Inventor: **Hwang-Miaw Chen**, Taipei Hsien (TW)

(73) Assignee: **Hon Hai Precision Co., Ltd.**, Tu-Cheng,
New Taipei (TW)

(**) Term: **14 Years**

(21) Appl. No.: **29/382,171**

(22) Filed: **Dec. 29, 2010**

(51) **LOC (9) Cl.** **14-01**

(52) **U.S. Cl.** **D14/214**

(58) **Field of Classification Search** D14/204,
D14/210-216, 221, 222, 172; 181/143-144,
181/147-148, 150-153, 157, 166, 198-199;
381/300-303, 306, 332-333, 336, 345, 361-364,
381/386-388

See application file for complete search history.

(56) **References Cited**

U.S. PATENT DOCUMENTS

4,866,439 A * 9/1989 Kraus 340/945
6,697,496 B2 * 2/2004 Frasl 381/430
7,275,620 B1 * 10/2007 Diedrich et al. 181/171

7,306,073 B2 * 12/2007 Frasl 181/173
D615,068 S * 5/2010 Yuasa et al. D14/216
2007/0209866 A1 * 9/2007 Frasl et al. 181/157

* cited by examiner

Primary Examiner — Nanda Bondade

(74) *Attorney, Agent, or Firm* — Altis Law Group, Inc.

(57) **CLAIM**

The ornamental design for a diaphragm, as shown and described.

DESCRIPTION

FIG. 1 is a perspective view of a diaphragm showing my new design.

FIG. 2 is a front elevational view thereof.

FIG. 3 is a rear elevational view thereof.

FIG. 4 is a left side elevational view thereof.

FIG. 5 is a right side elevational view thereof.

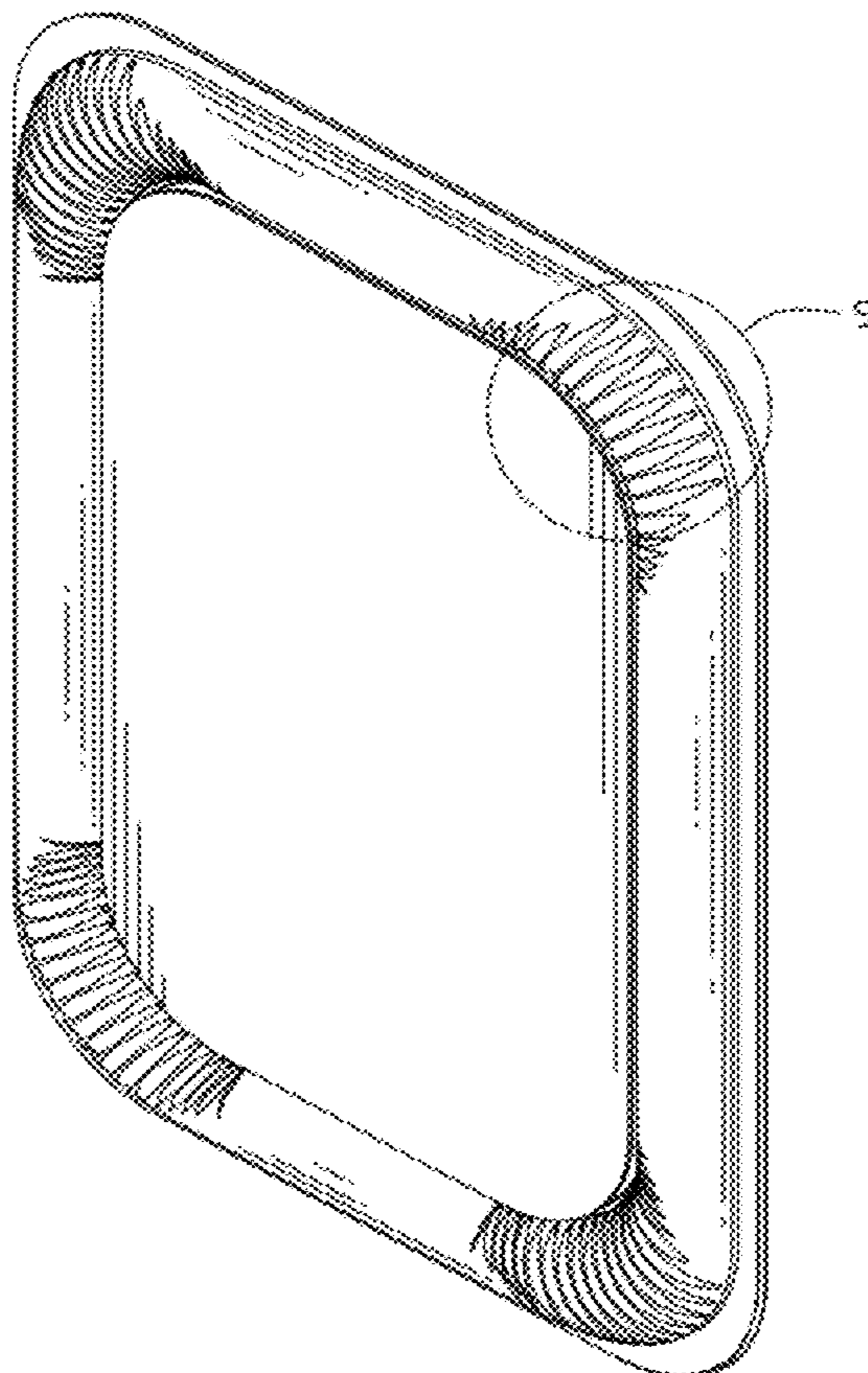
FIG. 6 is a top plan view thereof.

FIG. 7 is a bottom plan view thereof.

FIG. 8 is a cross-sectional view thereof, corresponding to 8-8 of FIG. 2; and,

FIG. 9 is an enlarged view of the circled portion 9 of FIG. 1, showing detailed structure of the recessed/folded area.

1 Claim, 9 Drawing Sheets



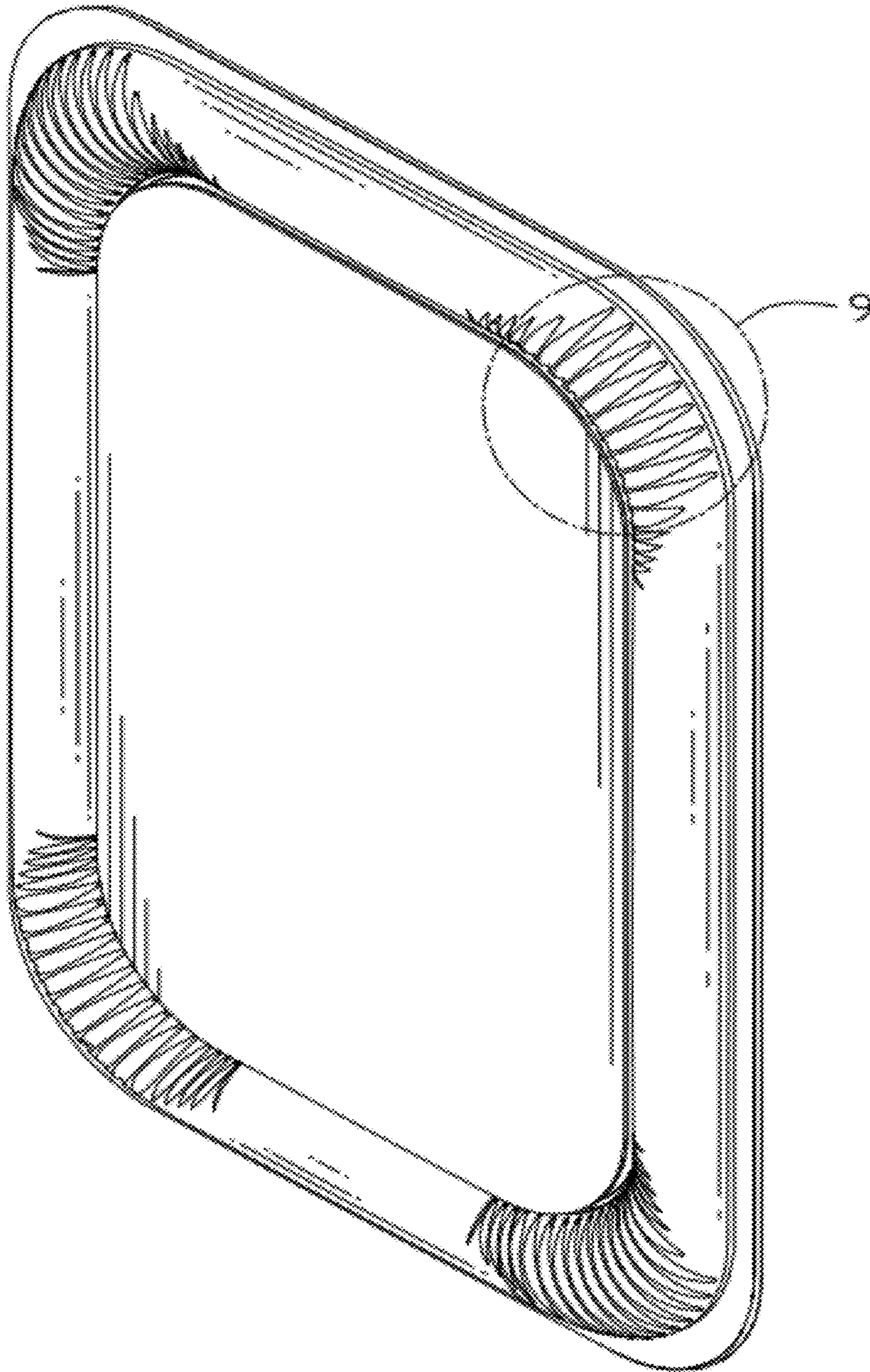


FIG. 1

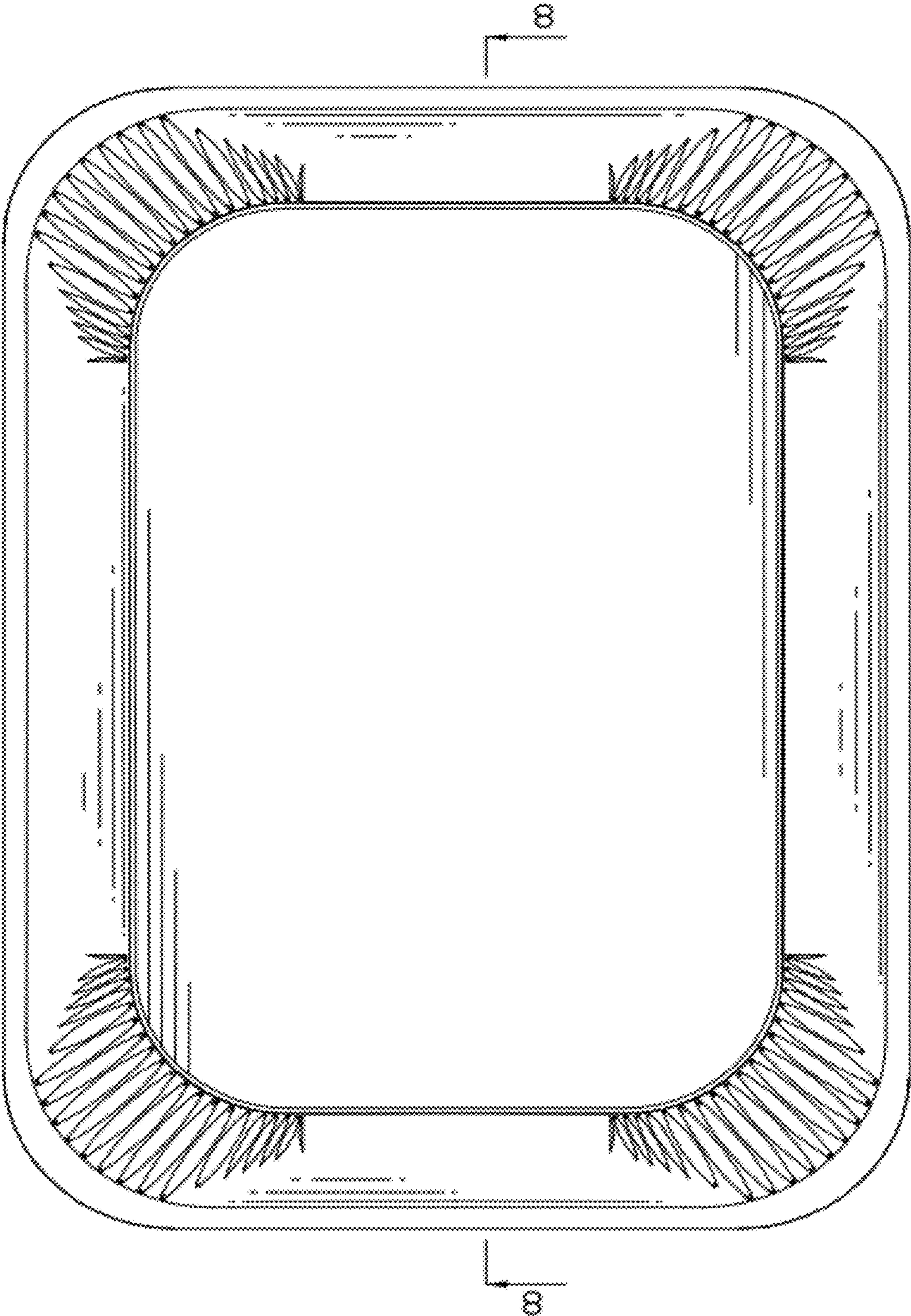


FIG. 2

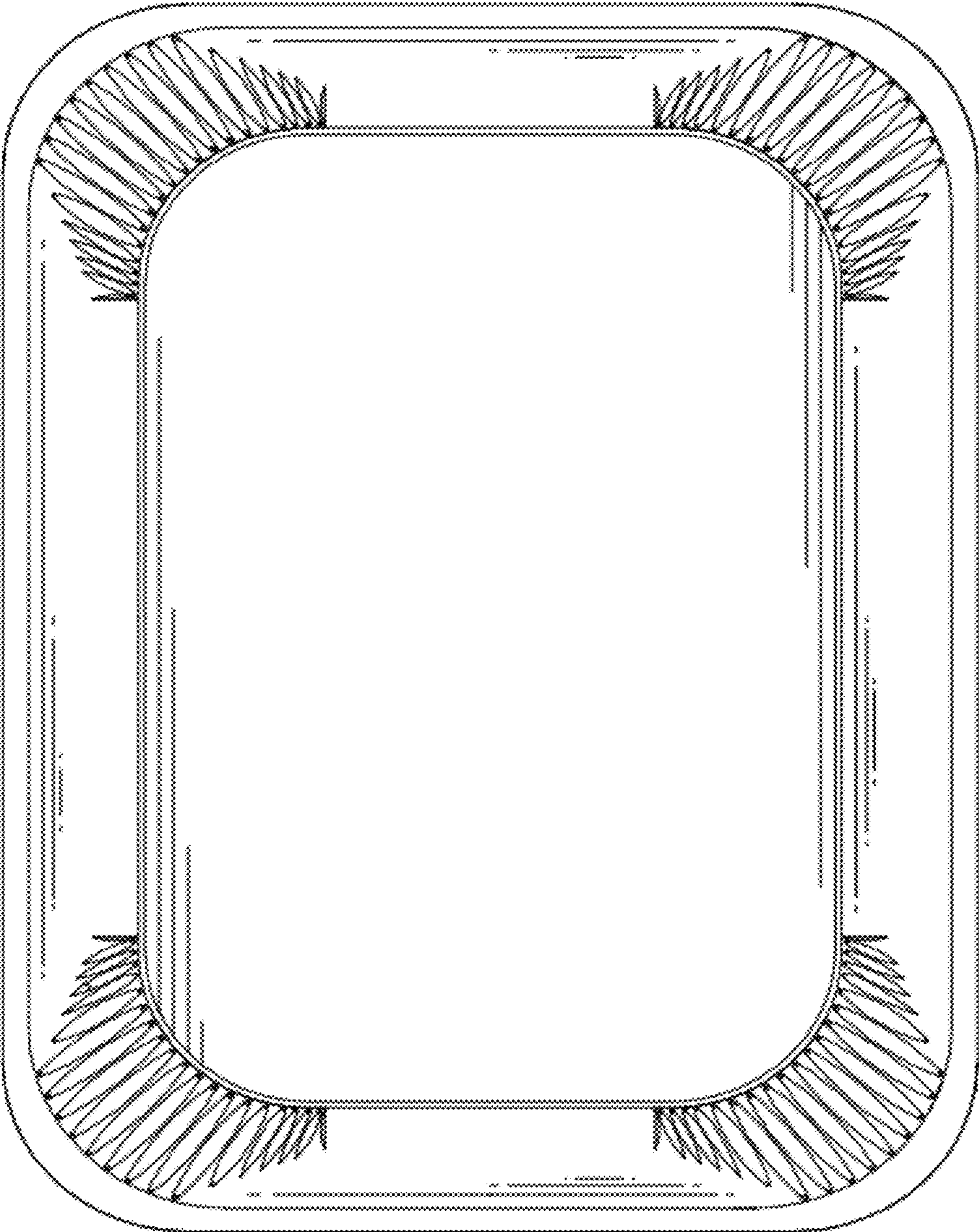


FIG. 3



FIG. 4



FIG. 5

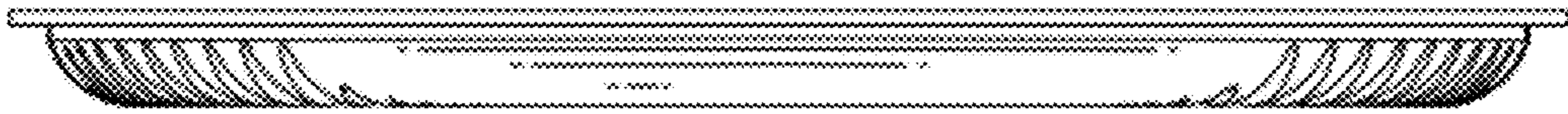


FIG. 6

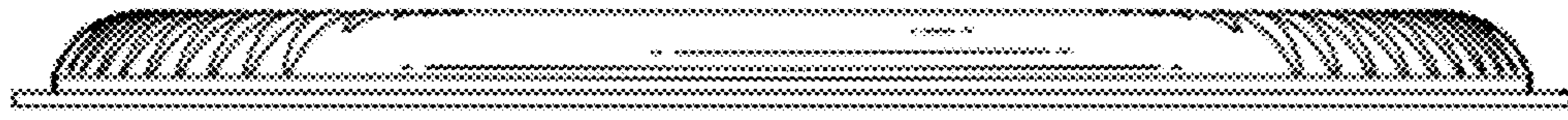


FIG. 7



FIG. 8

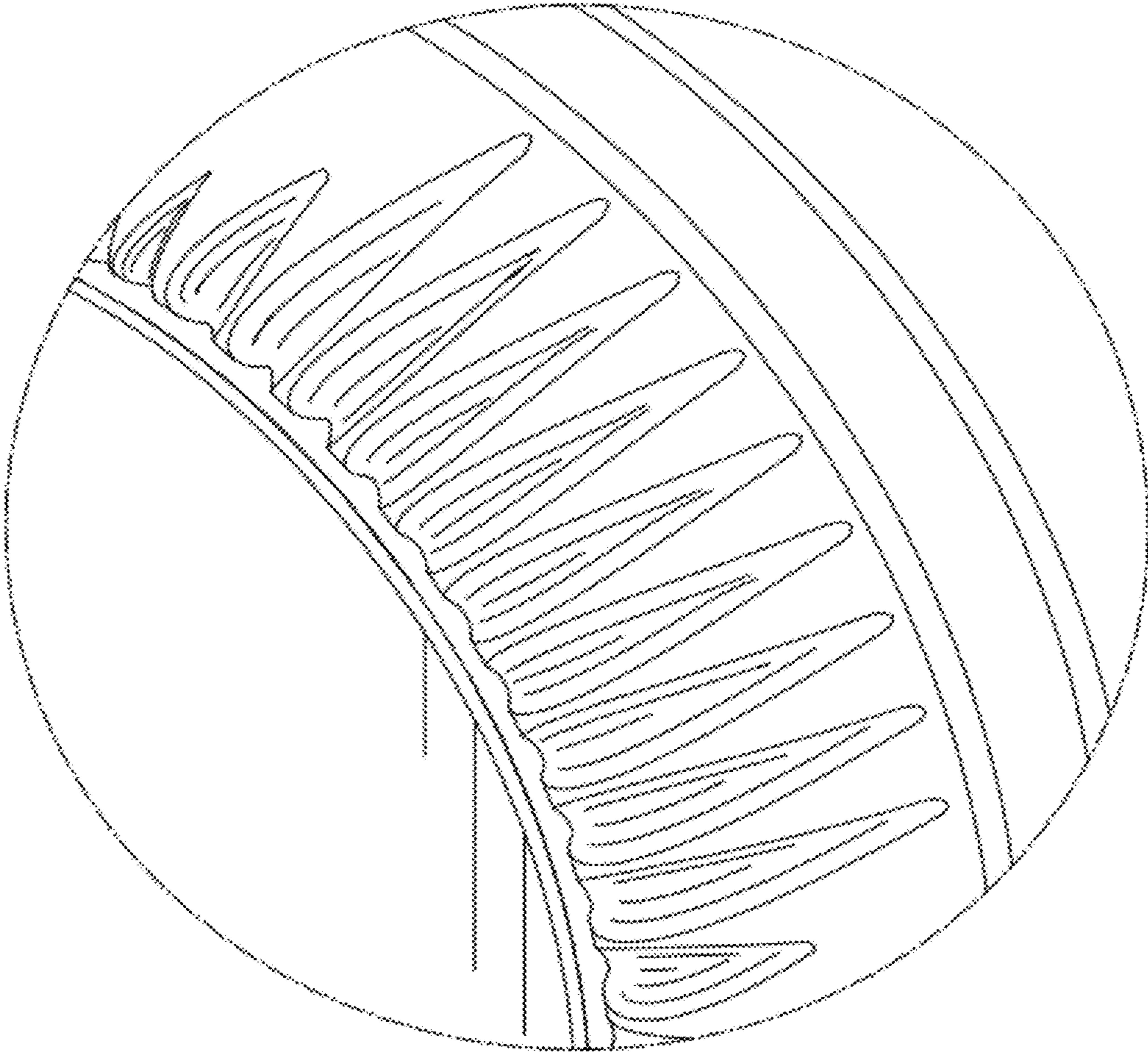


FIG. 9