



US00D656911S

(12) **United States Design Patent**
Koller et al.

(10) **Patent No.:** **US D656,911 S**

(45) **Date of Patent:** **** Apr. 3, 2012**

(54) **RECEIVER, AMPLIFIER AND SPEAKER UNIT**

D603,368 S * 11/2009 Jang D14/194
D614,601 S * 4/2010 Kataoka et al. D14/142
D629,785 S * 12/2010 Yachida et al. D14/167

(75) Inventors: **Thomas J. Koller**, Beaverton, OR (US);
Jerry C. Ramey, Beaverton, OR (US)

OTHER PUBLICATIONS

(73) Assignee: **Lightspeed Technologies, Inc.**, Tualatin, OR (US)

Exhibit A is a set of photographs of one form of a receiver, amplifier and speaker unit that was offered for sale more than one year before the filing date of the present application.

Exhibit B is a set of photographs of one form of a receiver, amplifier and speaker unit that was offered for sale more than one year before the filing date of the present application.

(**) Term: **14 Years**

* cited by examiner

(21) Appl. No.: **29/358,451**

(22) Filed: **Mar. 26, 2010**

Primary Examiner — Raphael Barkai

(51) **LOC (9) Cl.** **14-03**

Assistant Examiner — Randall Gholson

(52) **U.S. Cl.** **D14/126**

(74) *Attorney, Agent, or Firm* — Klarquist Sparkman, LLP

(58) **Field of Classification Search** D14/125,
D14/357-358, 496, 188, 242, 432, 168; D13/184;
348/10, 460, 706, 731; 340/825.03; 455/6.1,
455/6.2; 312/223.1, 7.2

(57) **CLAIM**

The ornamental design for a receiver, amplifier and speaker unit, as shown and described.

See application file for complete search history.

DESCRIPTION

(56) **References Cited**

U.S. PATENT DOCUMENTS

| | | | |
|--------------|---------|------------------|---------|
| D332,261 S | 1/1993 | Mischenko et al. | |
| D339,339 S * | 9/1993 | Pepall | D14/171 |
| D349,119 S | 7/1994 | Eberle et al. | |
| D409,619 S | 5/1999 | Shin et al. | |
| D416,904 S | 11/1999 | Rabbani | |
| D421,009 S * | 2/2000 | Shintani et al. | D14/168 |
| D443,601 S * | 6/2001 | Hattori | D14/168 |
| D452,488 S * | 12/2001 | Ogasawara | D14/167 |
| D467,897 S * | 12/2002 | Lin | D14/211 |
| D537,070 S * | 2/2007 | Warden | D14/214 |
| D548,720 S * | 8/2007 | Harris | D14/168 |
| D566,685 S | 4/2008 | Koller et al. | |
| D572,290 S * | 7/2008 | Lim et al. | D16/230 |
| D584,281 S * | 1/2009 | Kim et al. | D14/188 |

FIG. 1 is a perspective view of a receiver, amplifier and speaker unit showing our new design;

FIG. 2 is a front view thereof;

FIG. 3 is a rear view thereof;

FIG. 4 is a left side of FIG. 2 thereof;

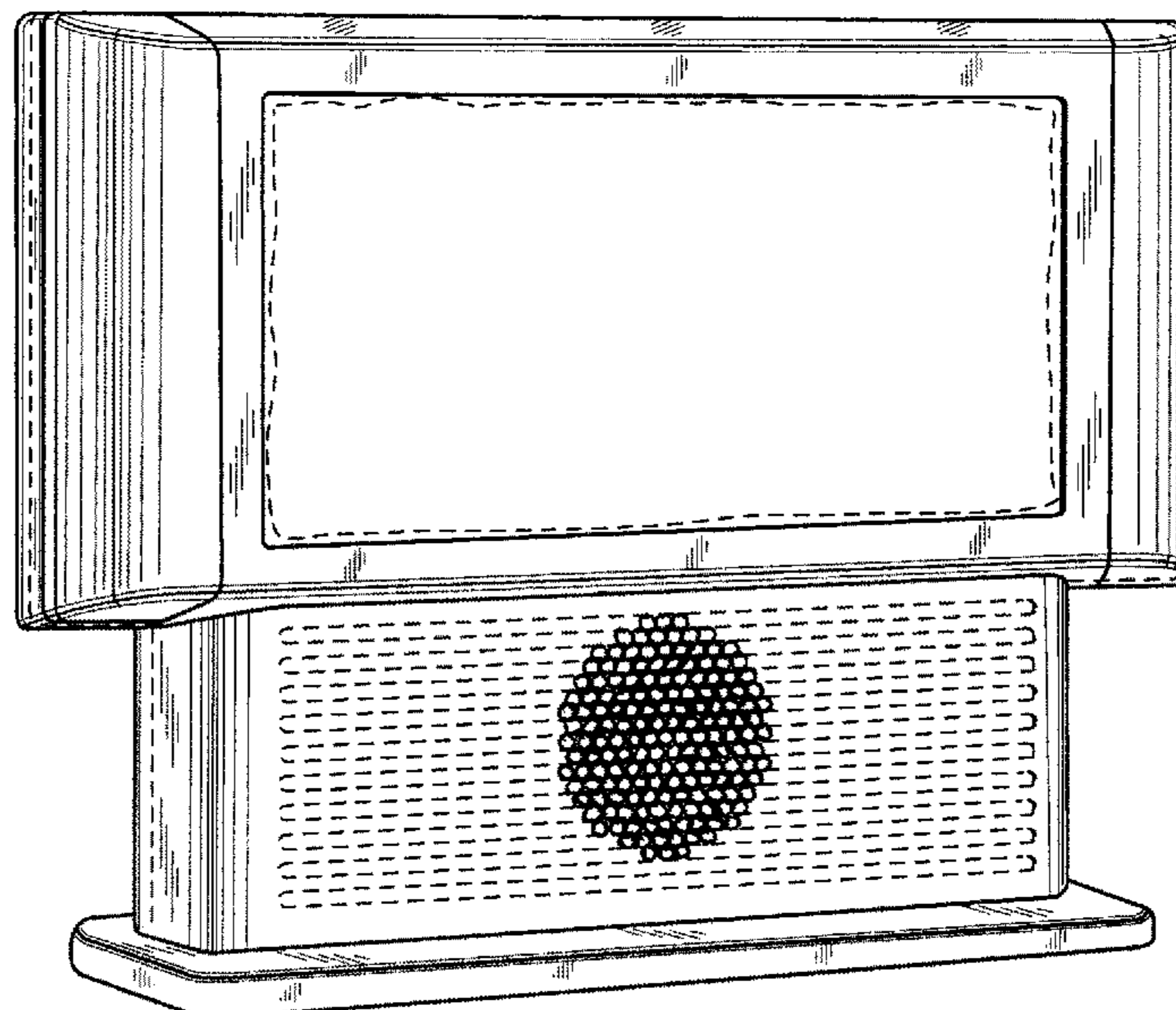
FIG. 5 is a right side of FIG. 2 thereof;

FIG. 6 is a top plan view of FIG. 2; and,

FIG. 7 is a bottom plan view of FIG. 2.

The broken lines shown on the drawings are included for the purpose of illustration only and form no part of the claimed design. The plurality of darkened oval openings included on the front of the device is claimed.

1 Claim, 3 Drawing Sheets



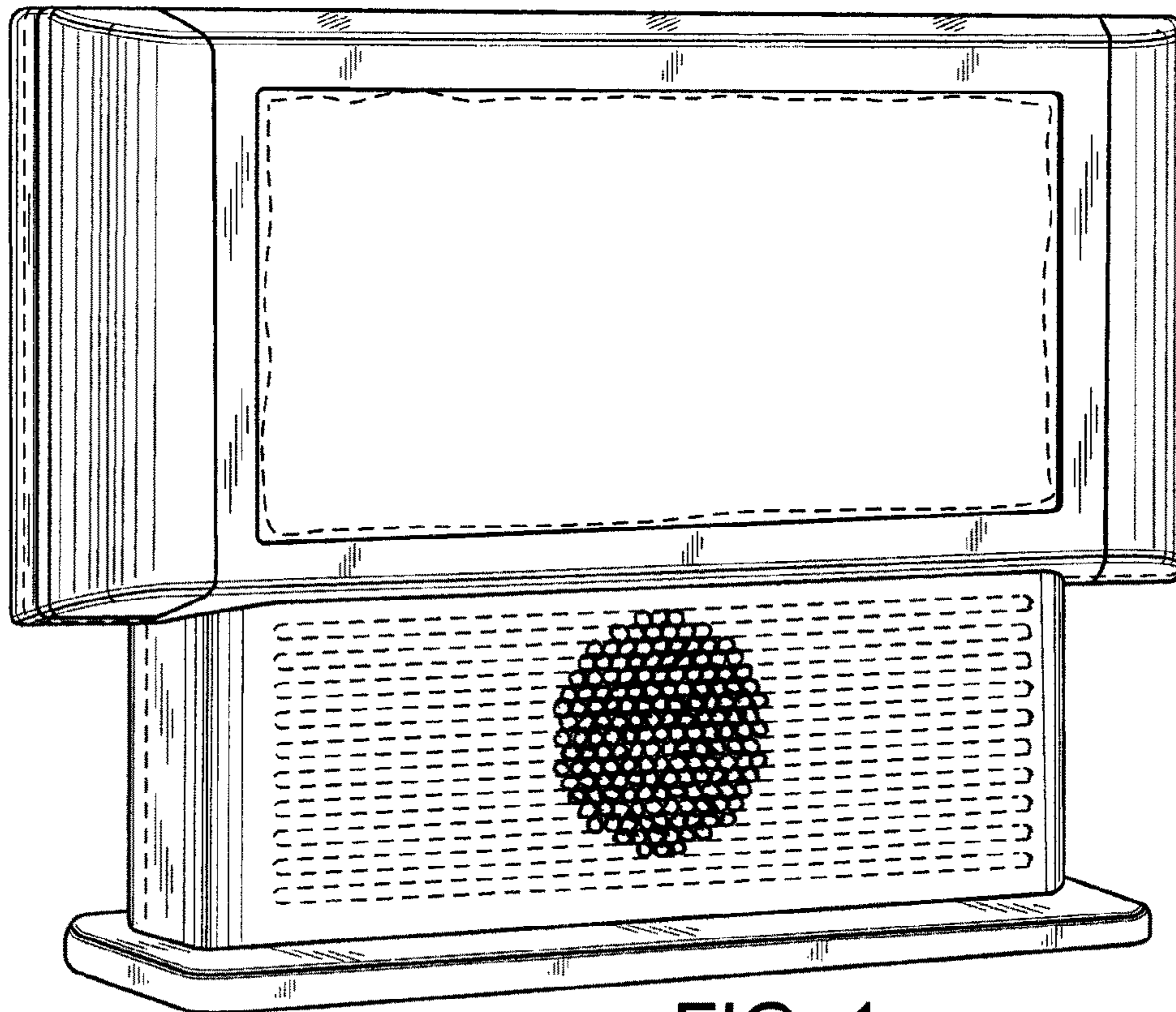


FIG. 1

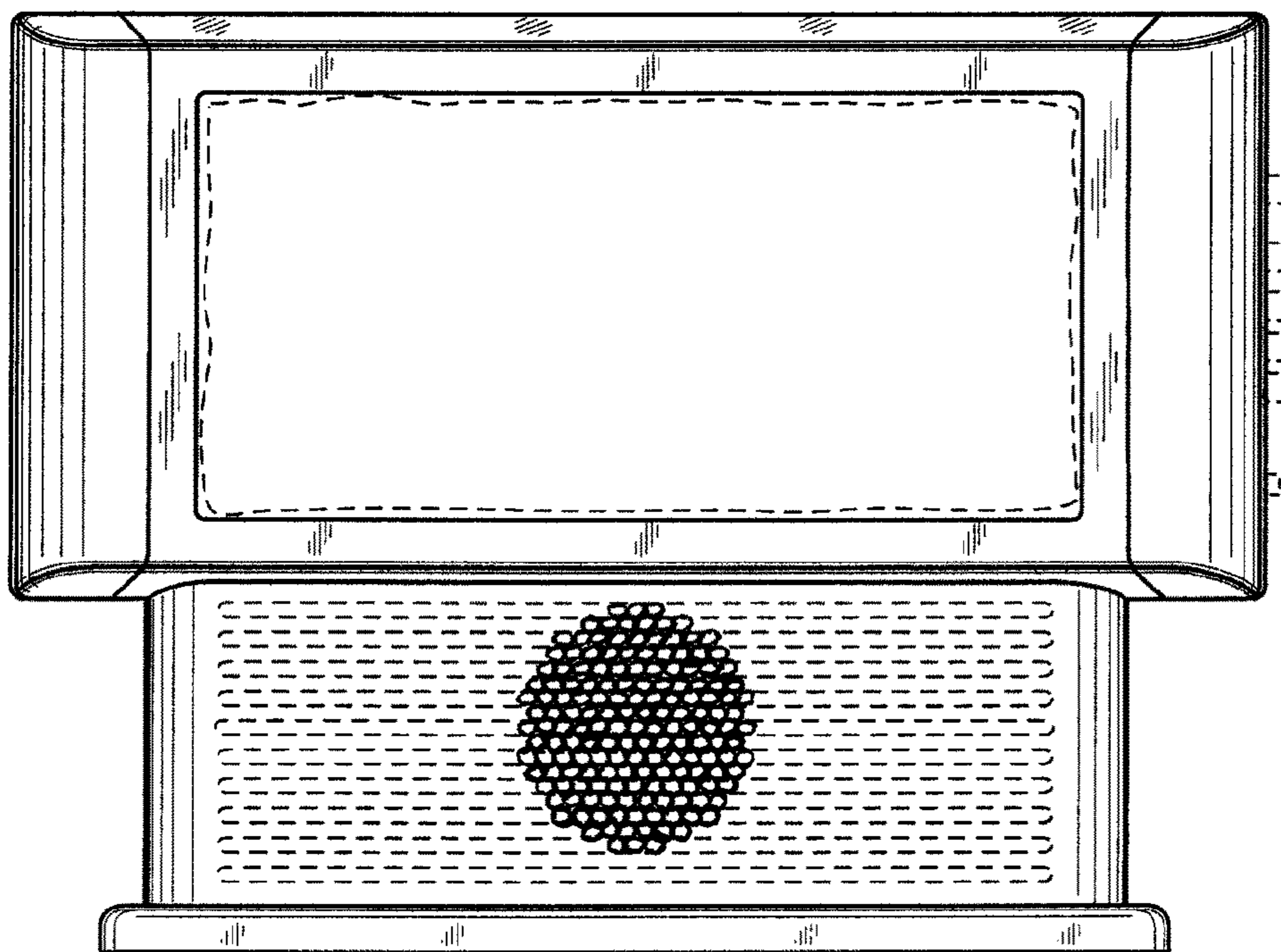


FIG. 2

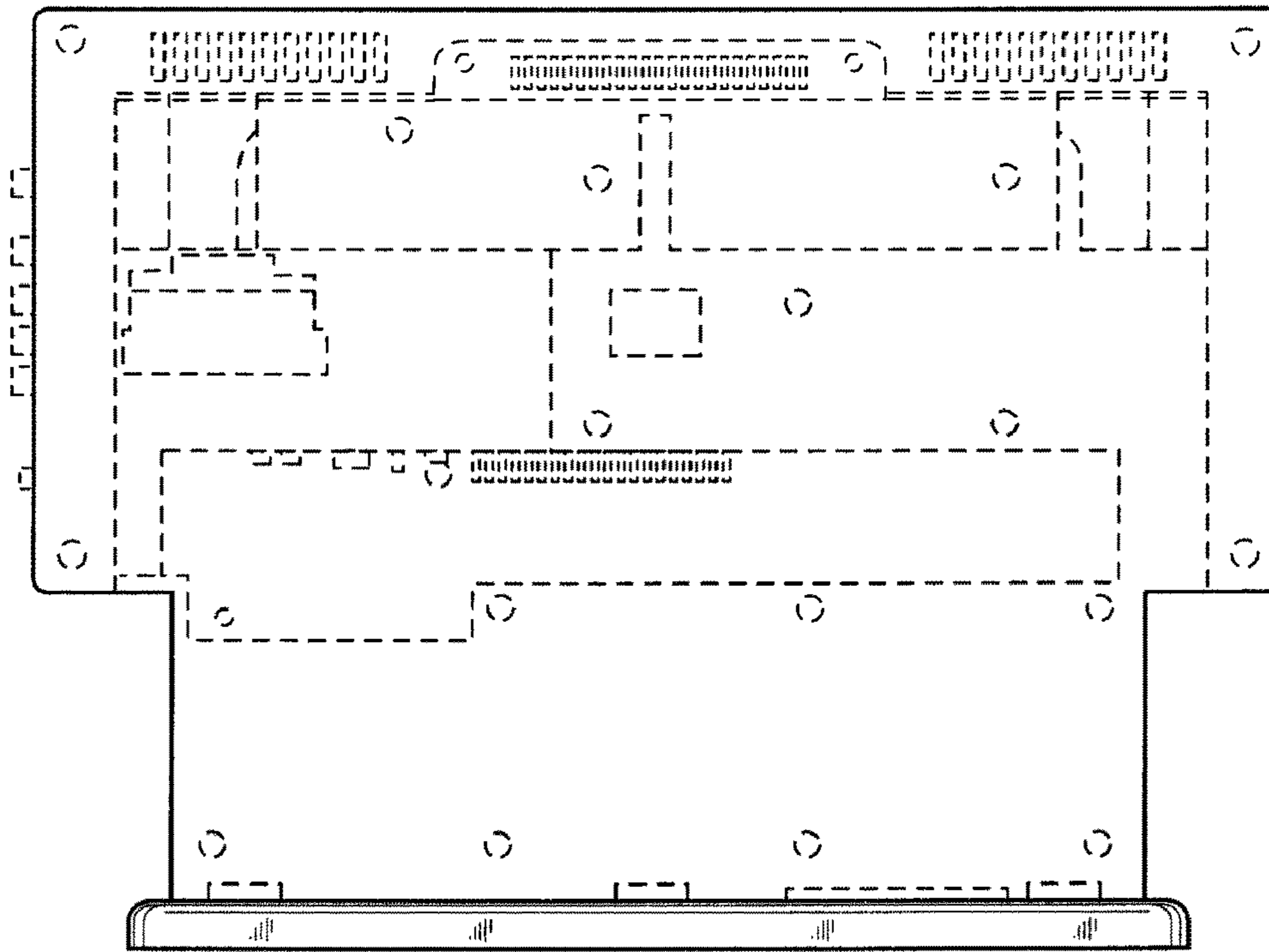


FIG. 3

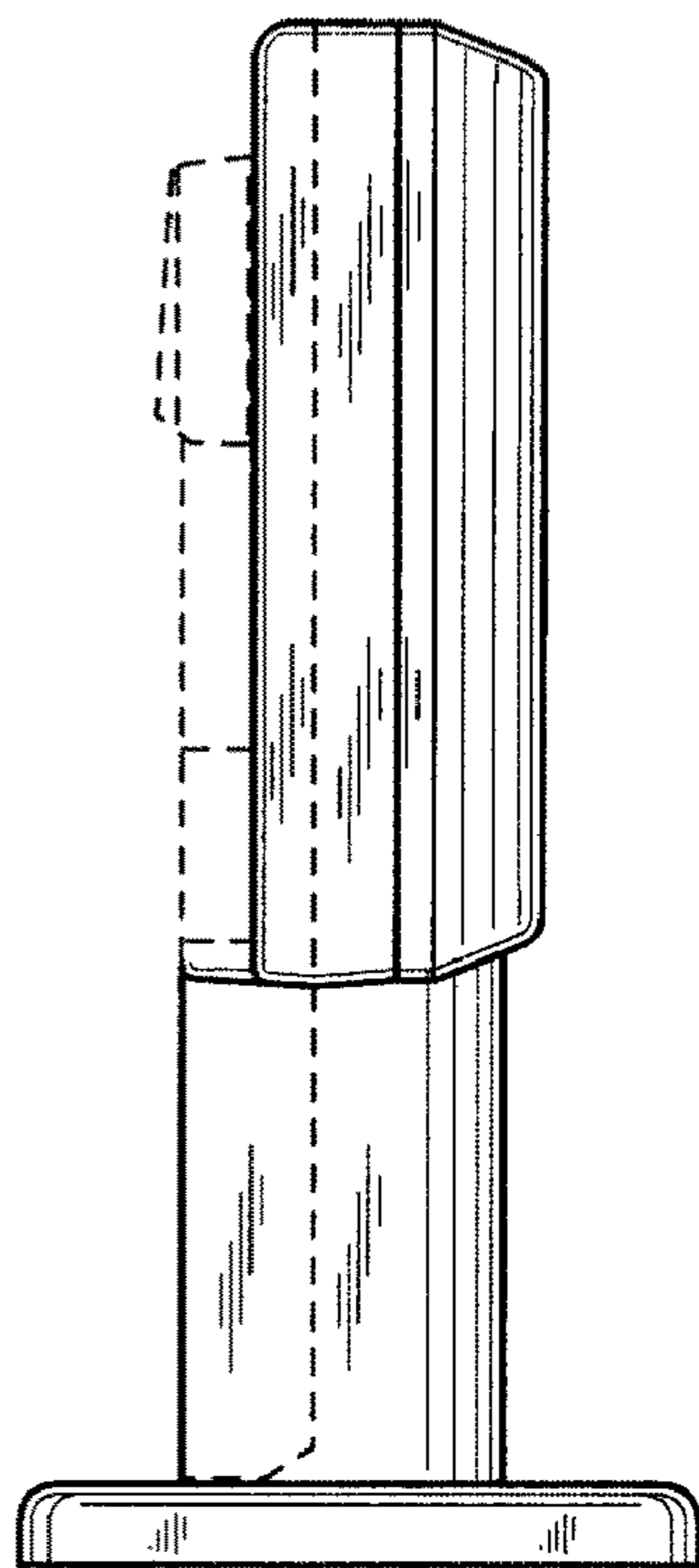


FIG. 4

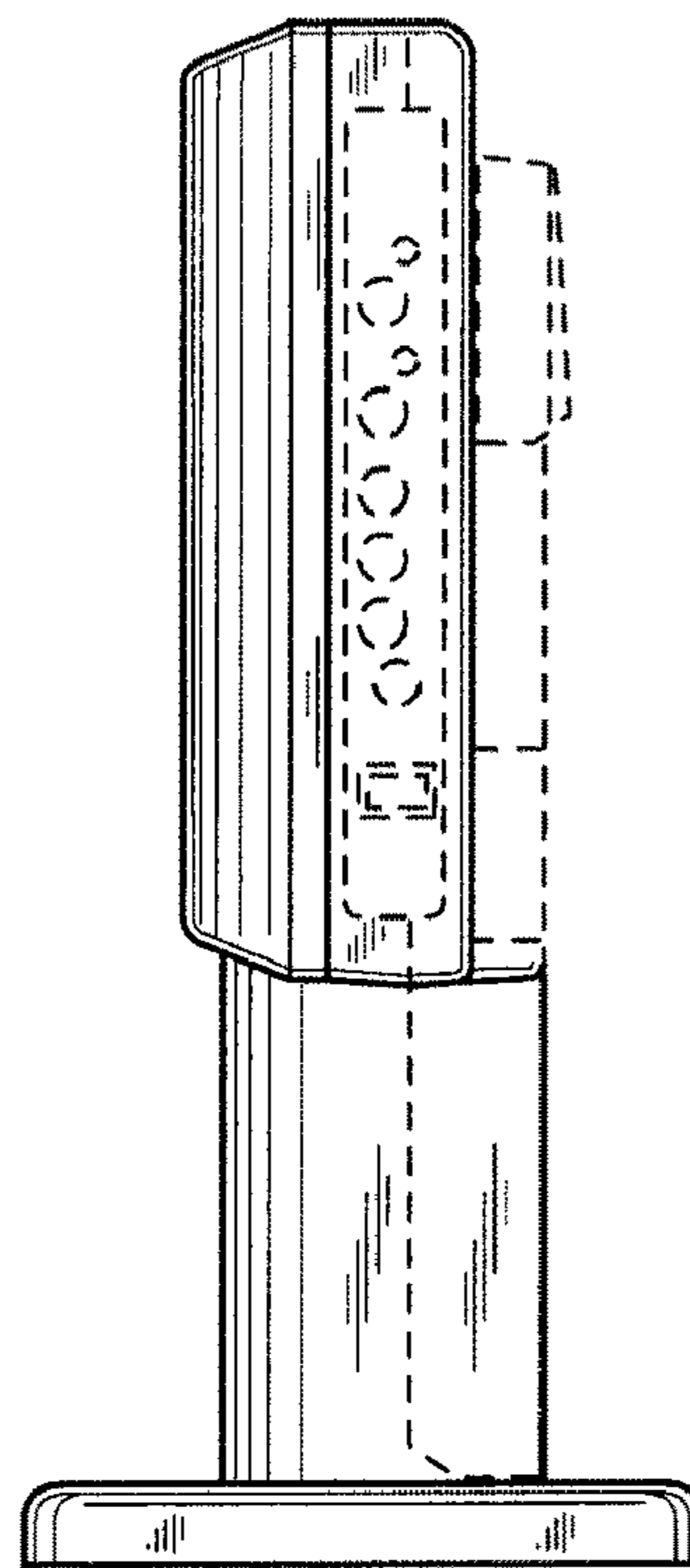


FIG. 5

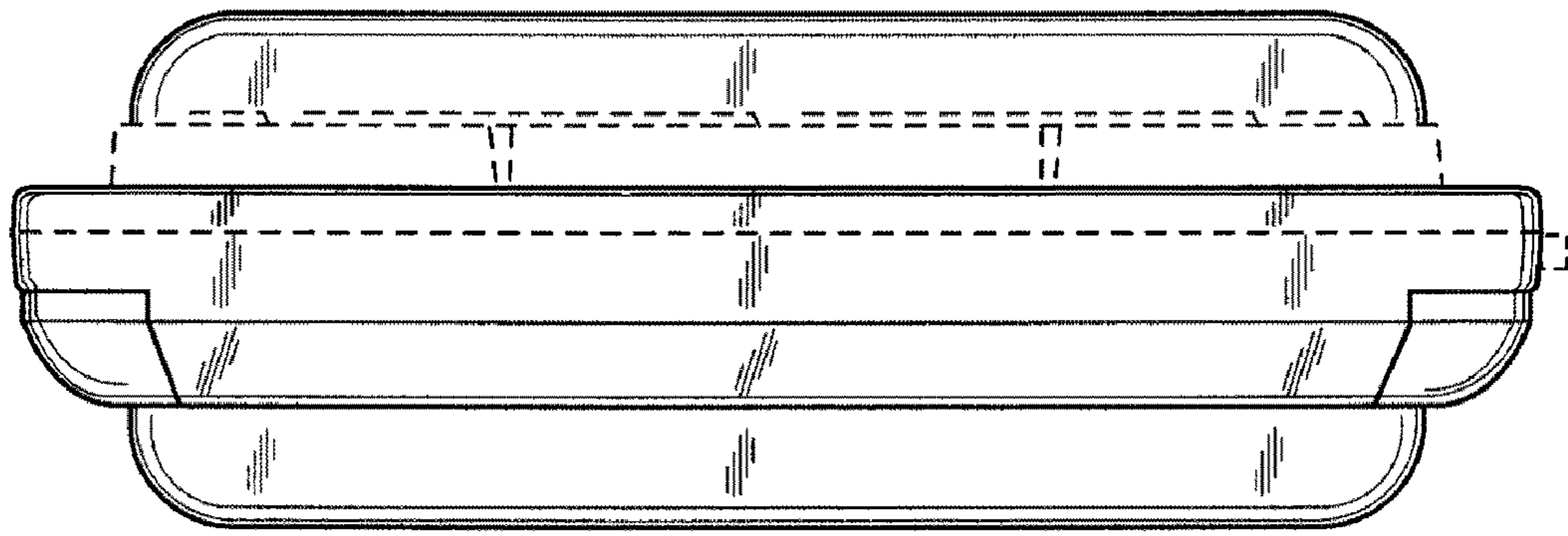


FIG. 6

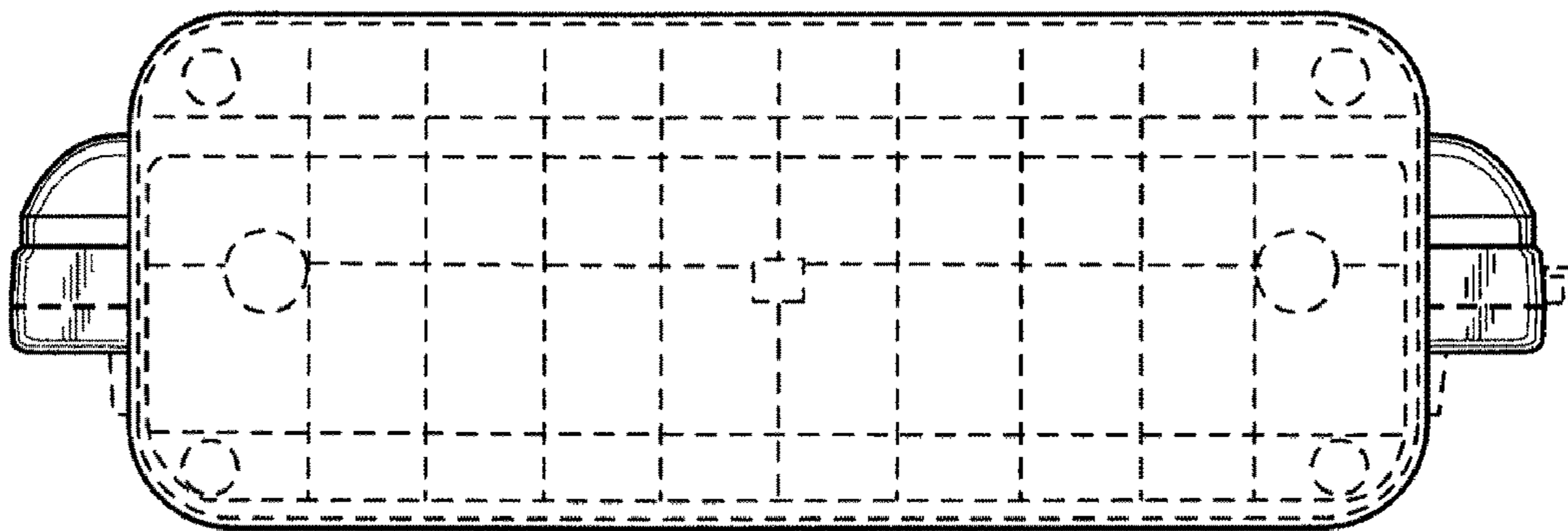


FIG. 7