



US00D656910S

(12) **United States Design Patent**
Taniguchi et al.

(10) **Patent No.:** **US D656,910 S**

(45) **Date of Patent:** **** Apr. 3, 2012**

(54) **ADHESIVE TAPE FOR SEMICONDUCTOR MANUFACTURING**

(75) Inventors: **Kouhei Taniguchi**, Ichihara (JP); **Takayuki Matsuzaki**, Ichihara (JP); **Shinya Katou**, Ichihara (JP); **Kouji Komorida**, Ichihara (JP); **Michio Mashino**, Ichihara (JP); **Tatsuya Sakuta**, Ichihara (JP); **Rie Katou**, Ichihara (JP)

(73) Assignee: **Hitachi Chemical Company, Ltd.**, Tokyo (JP)

(**) Term: **14 Years**

(21) Appl. No.: **29/389,797**

(22) Filed: **Apr. 15, 2011**

(30) **Foreign Application Priority Data**

Oct. 15, 2010 (JP) D2010-024764

(51) **LOC (9) Cl.** **13-03**

(52) **U.S. Cl.** **D13/182**; D19/69

(58) **Field of Classification Search** D10/71; D19/69; D24/189; D5/99; 33/494, 758, 33/562, 759; 101/288; 206/390; 40/638, 40/641; 428/43; D7/585; D20/22, 42
See application file for complete search history.

(56) **References Cited**

U.S. PATENT DOCUMENTS

D194,932 S *	4/1963	Masuda	D7/585
D228,439 S *	9/1973	Mercadante	D7/585
D287,683 S *	1/1987	Unger	D7/396.5
D392,330 S *	3/1998	Sucese	D20/42
D395,641 S *	6/1998	Gaete	D14/447
D480,811 S *	10/2003	Horhota et al.	D24/189
D490,470 S *	5/2004	Fujii	D19/69
D490,854 S *	6/2004	Fujii	D19/69
D490,855 S *	6/2004	Fujii	D19/69

D491,226 S *	6/2004	Fujii	D19/69
D491,227 S *	6/2004	Fujii	D19/69
D491,228 S *	6/2004	Fujii	D19/69
D491,229 S *	6/2004	Fujii	D19/69
D492,354 S *	6/2004	Fujii	D19/69
D493,838 S *	8/2004	Fujii	D19/69
D529,096 S *	9/2006	Jordan	D20/11
D544,607 S *	6/2007	Henry et al.	D24/189
D621,051 S *	8/2010	Kase et al.	D24/189
D621,803 S	8/2010	Maruyama et al.		
D628,170 S	11/2010	Maruyama et al.		

FOREIGN PATENT DOCUMENTS

JP D1315621 11/2007

OTHER PUBLICATIONS

U.S. Appl. No. 29/389,788, filed Apr. 15, 2011, Taniguchi et al.
U.S. Appl. No. 29/389,790, filed Apr. 15, 2011, Taniguchi et al.
U.S. Appl. No. 29/389,794, filed Apr. 15, 2011, Taniguchi et al.

* cited by examiner

Primary Examiner — Austin Murphy

(74) *Attorney, Agent, or Firm* — Miles & Stockbridge P.C.

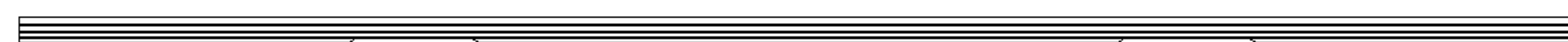
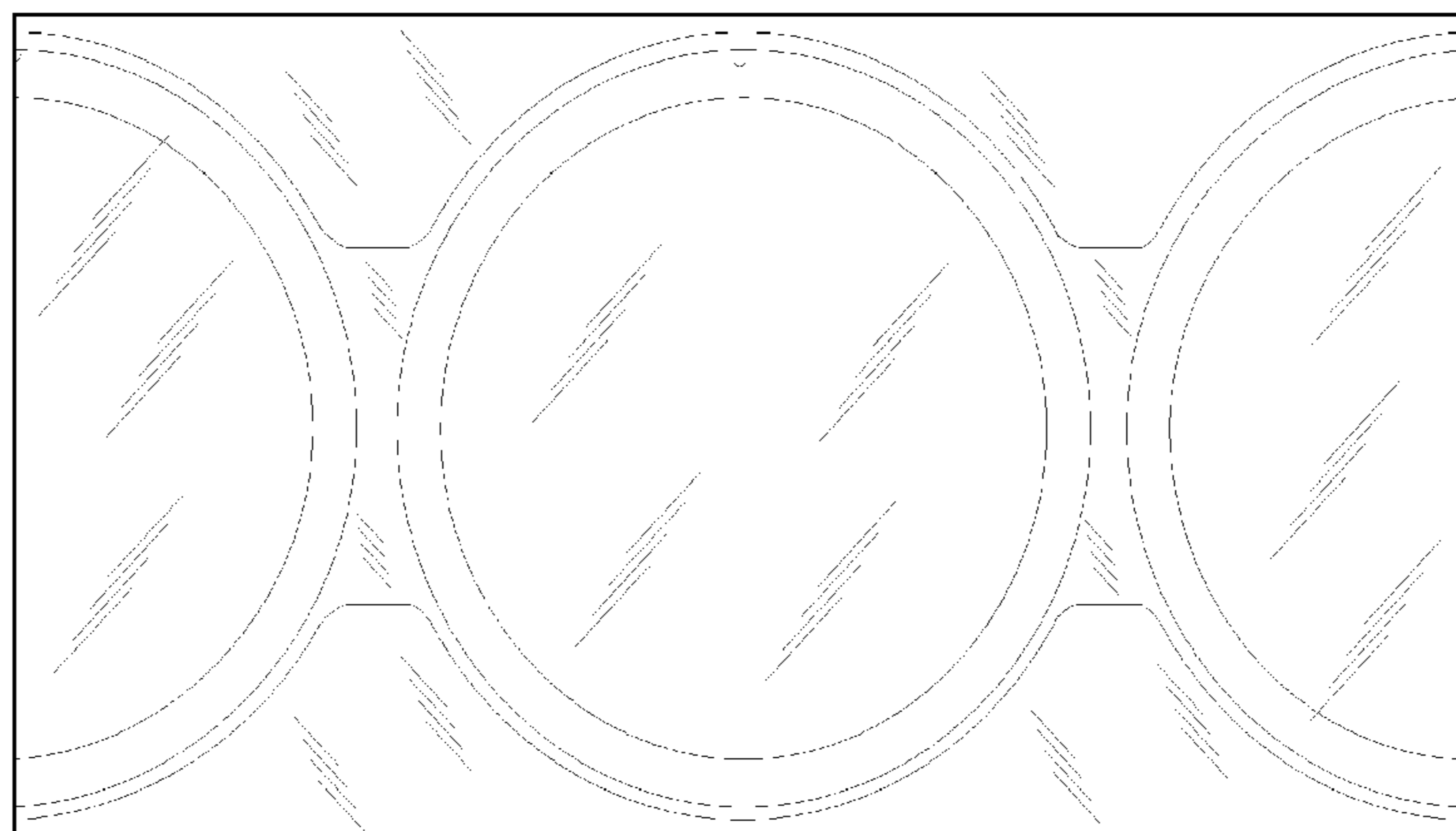
(57) **CLAIM**

The ornamental design for an adhesive tape for semiconductor manufacturing, as shown and described.

DESCRIPTION

FIG. 1 is a top plan view of our new design;
FIG. 2 is a bottom plan view;
FIG. 3 is a left side view;
FIG. 4 is a right side view;
FIG. 5 is a rear side view;
FIG. 6 is a front side view;
FIG. 7 is a cross sectional view taken at line 7-7 of FIG. 1;
FIG. 8 is an exploded view; and,
FIG. 9 is an enlarged view of the middle and left portion of the claimed design shown in FIG. 1 for completeness of illustration.

1 Claim, 5 Drawing Sheets



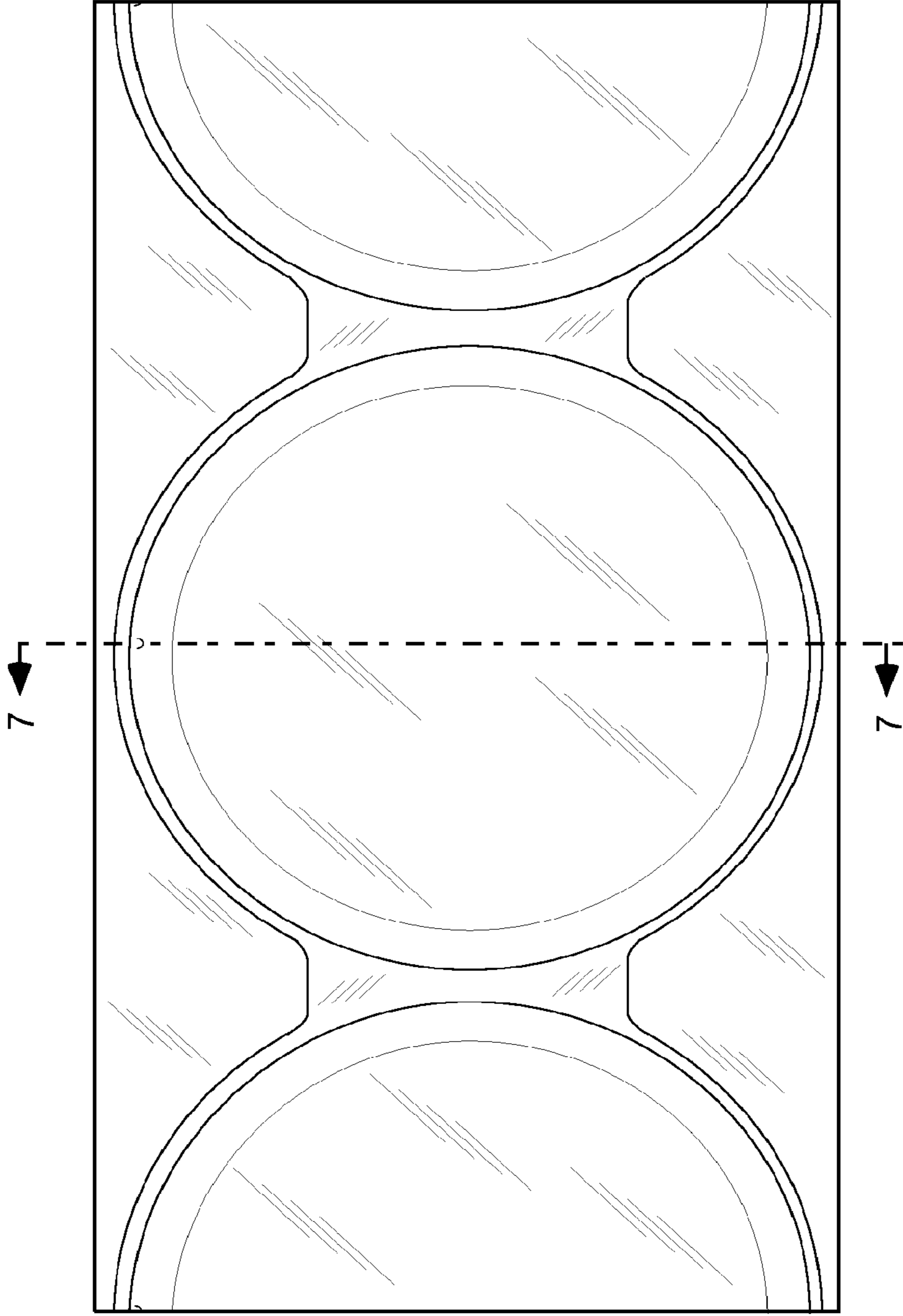


Fig. 1

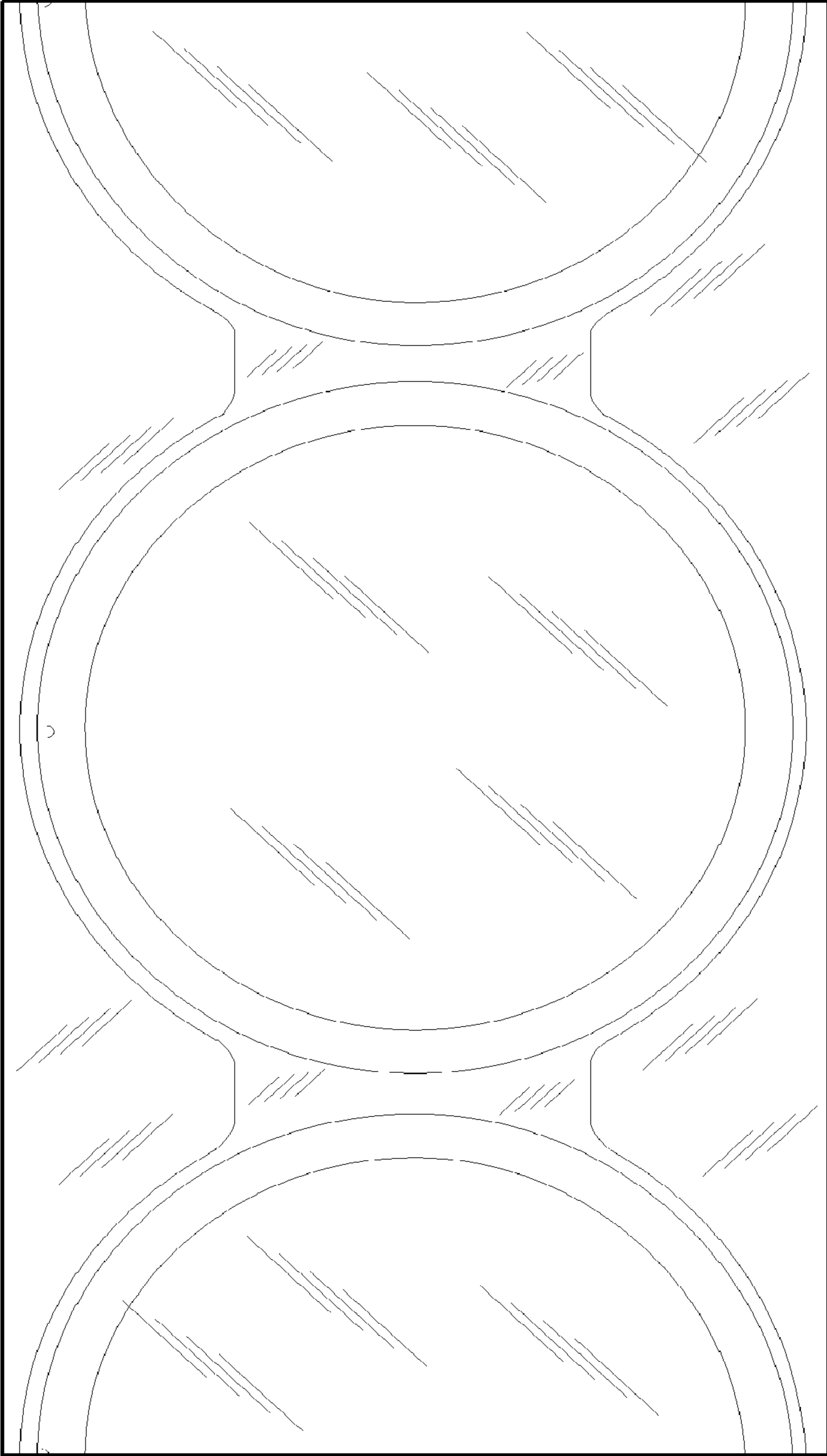


Fig. 2

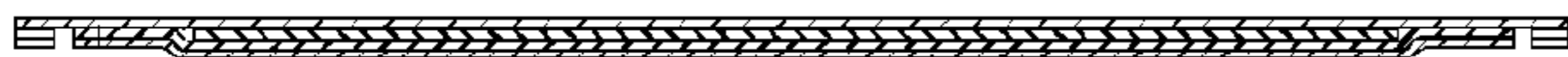


Fig. 7

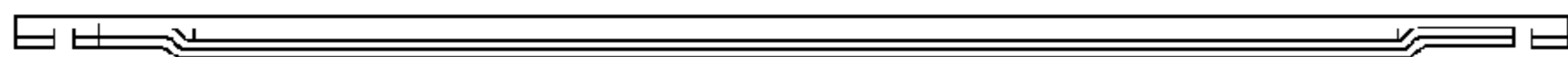


Fig. 4



Fig. 3



Fig. 5



Fig. 6

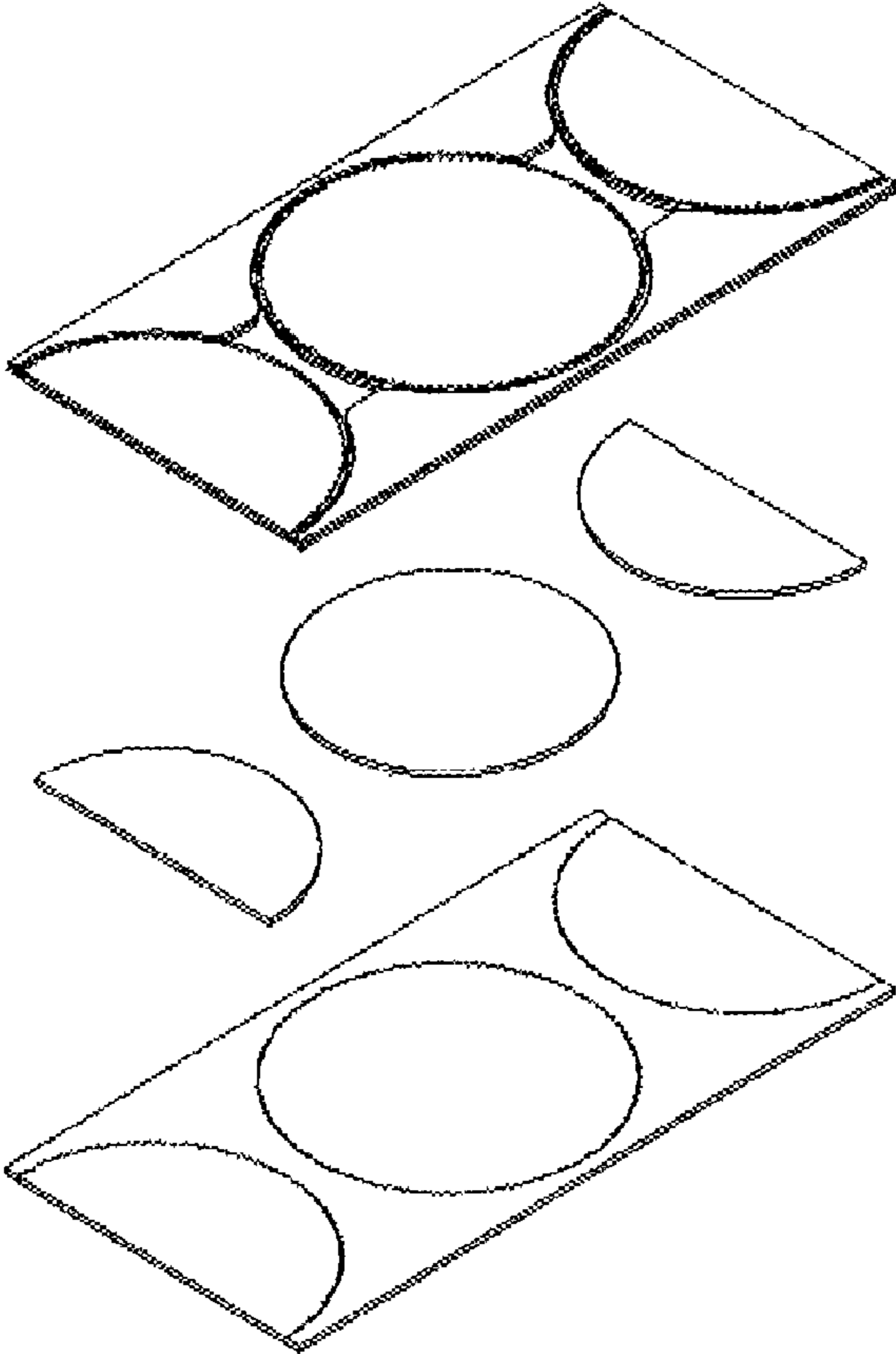


Fig. 8

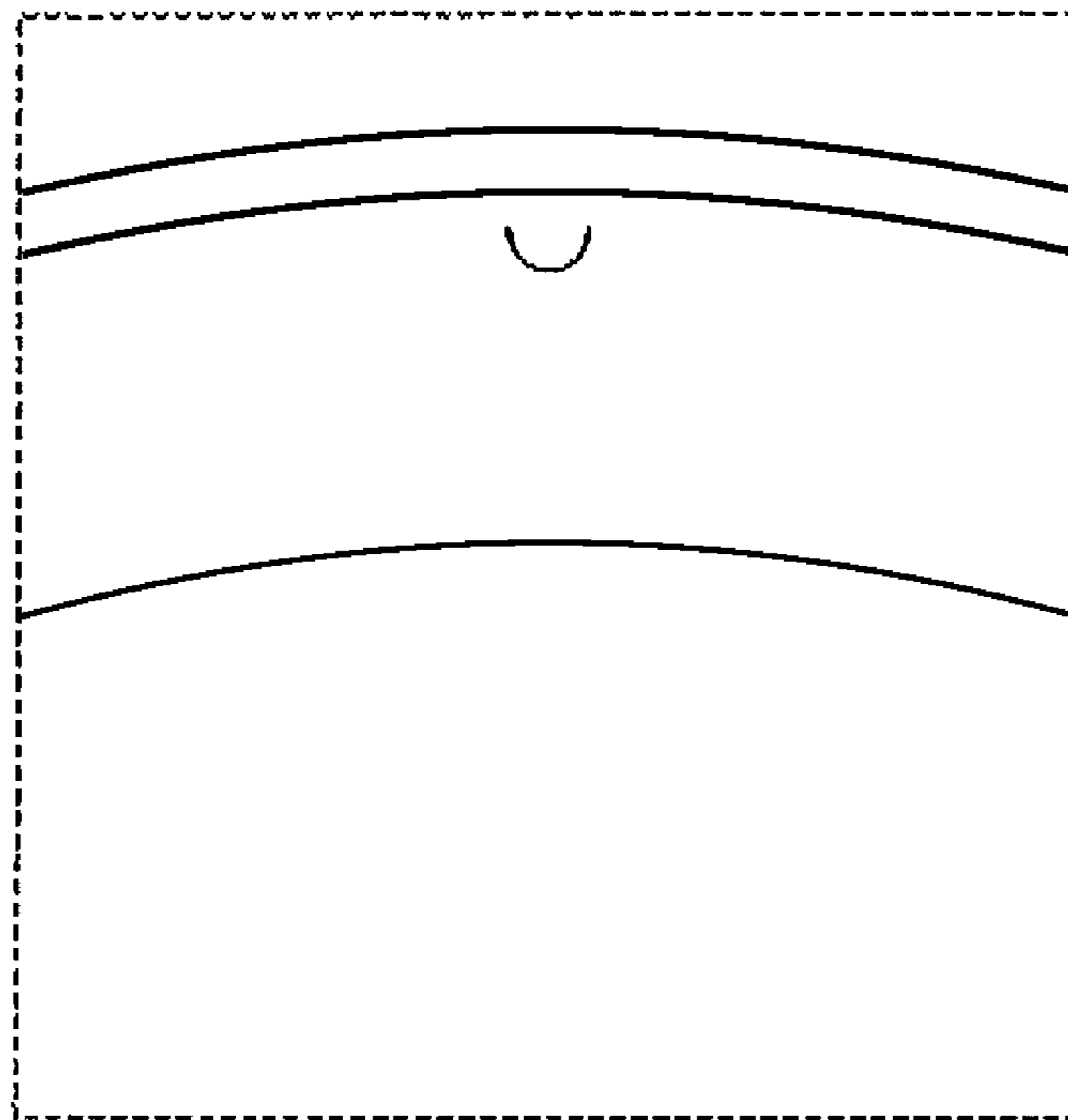


Fig. 9