



US00D656909S

(12) **United States Design Patent**  
**Taniguchi et al.**

(10) **Patent No.:** **US D656,909 S**

(45) **Date of Patent:** **\*\* Apr. 3, 2012**

(54) **ADHESIVE TAPE FOR SEMICONDUCTOR MANUFACTURING**

(75) Inventors: **Kouhei Taniguchi**, Ichihara (JP); **Takayuki Matsuzaki**, Ichihara (JP); **Shinya Katou**, Ichihara (JP); **Kouji Komorida**, Ichihara (JP); **Michio Mashino**, Ichihara (JP); **Tatsuya Sakuta**, Ichihara (JP); **Rie Katou**, Ichihara (JP)

(73) Assignee: **Hitachi Chemical Company, Ltd.**, Tokyo (JP)

(\*\*) Term: **14 Years**

(21) Appl. No.: **29/389,788**

(22) Filed: **Apr. 15, 2011**

(30) **Foreign Application Priority Data**

Oct. 15, 2010 (JP) ..... D2010-024758  
Oct. 15, 2010 (JP) ..... D2010-024759  
Oct. 15, 2010 (JP) ..... D2010-024761

(51) **LOC (9) Cl.** ..... **13-03**

(52) **U.S. Cl.** ..... **D13/182; D19/69**

(58) **Field of Classification Search** ..... D10/71;  
D19/69; D24/189; D5/99; 33/494, 758,  
33/562, 759; 101/288; 206/390; 40/638,  
40/641; 428/43; D7/585; D20/22, 42; D13/182  
See application file for complete search history.

(56) **References Cited**

**U.S. PATENT DOCUMENTS**

D194,932 S \* 4/1963 Masuda ..... D7/585  
(Continued)

**FOREIGN PATENT DOCUMENTS**

JP D1315621 11/2007

**OTHER PUBLICATIONS**

U.S. Appl. No. 29/389,790, filed Apr. 15, 2011, Taniguchi et al.

(Continued)

*Primary Examiner* — Austin Murphy  
(74) *Attorney, Agent, or Firm* — Miles and Stockbridge P.C.

(57) **CLAIM**

The ornamental design for an adhesive tape for semiconductor manufacturing, as shown and described.

**DESCRIPTION**

FIG. 1 is a top plan view of a first embodiment of our new design;

FIG. 2 is a bottom plan view of the first embodiment;

FIG. 3 is a left side view of the first embodiment;

FIG. 4 is a right side view of the first embodiment;

FIG. 5 is a rear side view of the first embodiment;

FIG. 6 is a front side view of the first embodiment;

FIG. 7 is a cross-sectional view of the first embodiment taken at line 7-7 of FIG. 1;

FIG. 8 is an exploded view of the first embodiment;

FIG. 9 is an enlarged view of the lower and left portion of the claimed design shown in FIG. 1 for completeness of illustration.

FIG. 10 is a top plan view of a second embodiment of our new design;

FIG. 11 is a bottom plan view of the second embodiment;

FIG. 12 is a left side view of the second embodiment;

FIG. 13 is a right side view of the second embodiment;

FIG. 14 is a rear side view of the second embodiment;

FIG. 15 is a front side view of the second embodiment;

FIG. 16 is a cross-sectional view of the second embodiment taken at line 16-16 of FIG. 10;

FIG. 17 is an exploded view of the second embodiment;

FIG. 18 is an enlarged view of the lower and left portion of the claimed design shown in FIG. 10 for completeness of illustration.

FIG. 19 is a top plan view of a third embodiment of our new design;

FIG. 20 is a bottom plan view of the third embodiment;

FIG. 21 is a left side view of the third embodiment;

FIG. 22 is a right side view of the third embodiment;

FIG. 23 is a rear side view of the third embodiment;

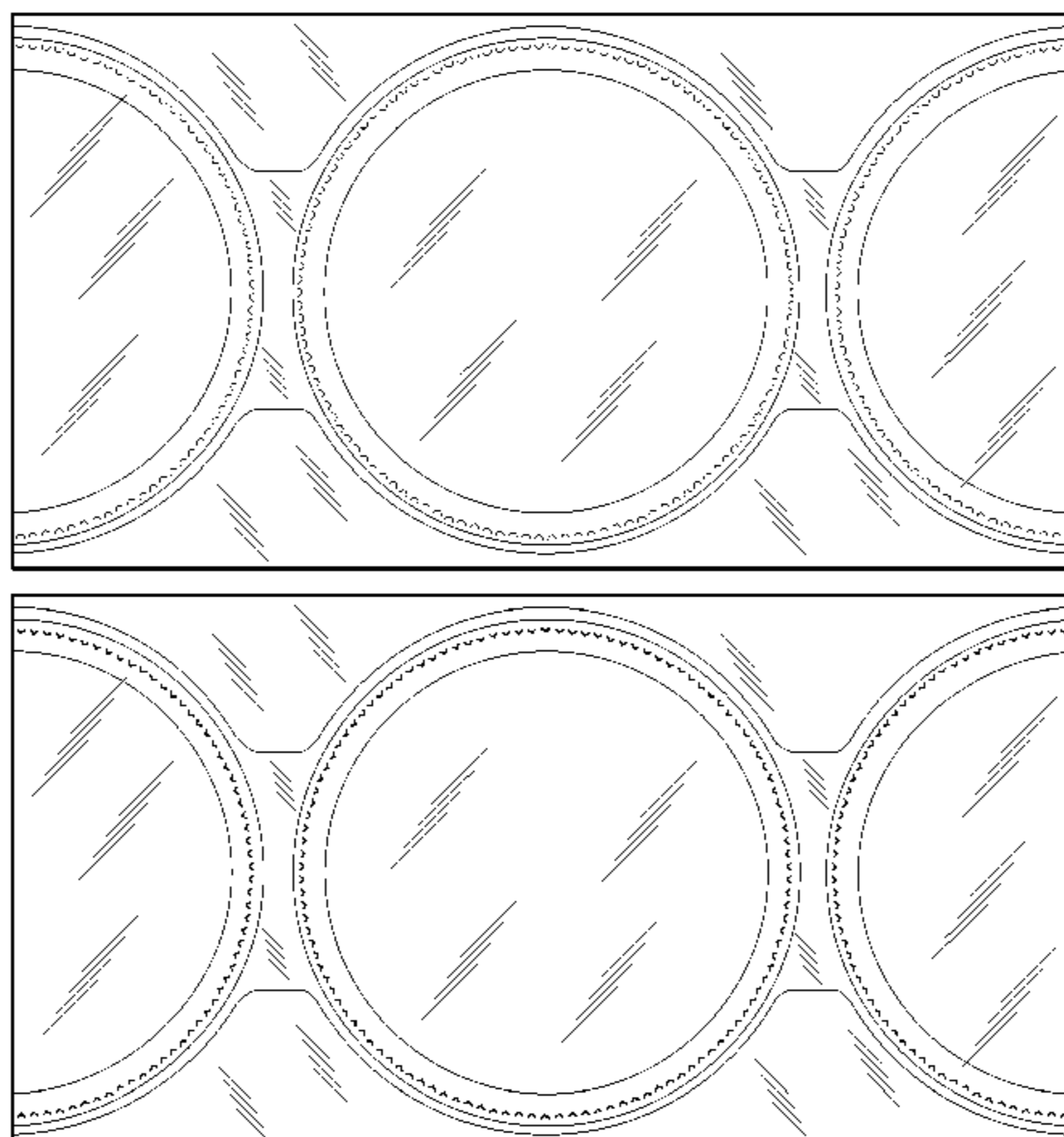
FIG. 24 is a front side view of the third embodiment;

FIG. 25 is a cross-sectional view of the third embodiment taken at line 25-25 of FIG. 19;

FIG. 26 is an exploded view of the third embodiment; and,

FIG. 27 is an enlarged view of the lower and left portion of the claimed design shown in FIG. 19 for completeness of illustration.

**1 Claim, 12 Drawing Sheets**



# US D656,909 S

Page 2

---

## U.S. PATENT DOCUMENTS

D228,439 S \* 9/1973 Mercadante ..... D7/585  
D287,683 S \* 1/1987 Unger ..... D7/396.5  
D392,330 S \* 3/1998 Sucese ..... D20/42  
D395,641 S \* 6/1998 Gaete ..... D14/447  
D480,811 S \* 10/2003 Horhota et al. .... D24/189  
D490,470 S \* 5/2004 Fujii ..... D19/69  
D490,854 S \* 6/2004 Fujii ..... D19/69  
D490,855 S \* 6/2004 Fujii ..... D19/69  
D491,226 S \* 6/2004 Fujii ..... D19/69  
D491,227 S \* 6/2004 Fujii ..... D19/69  
D491,228 S \* 6/2004 Fujii ..... D19/69  
D491,229 S \* 6/2004 Fujii ..... D19/69

D492,354 S \* 6/2004 Fujii ..... D19/69  
D493,838 S \* 8/2004 Fujii ..... D19/69  
D529,096 S \* 9/2006 Jordan ..... D20/11  
D544,607 S \* 6/2007 Henry et al. .... D24/189  
D621,051 S \* 8/2010 Kase et al. .... D24/189  
D621,803 S 8/2010 Maruyama et al.  
D628,170 S 11/2010 Maruyama et al.

## OTHER PUBLICATIONS

U.S. Appl. No. 29/389,794, filed Apr. 15, 2011, Taniguchi et al.  
U.S. Appl. No. 29/389,797, filed Apr. 15, 2011, Taniguchi et al.

\* cited by examiner

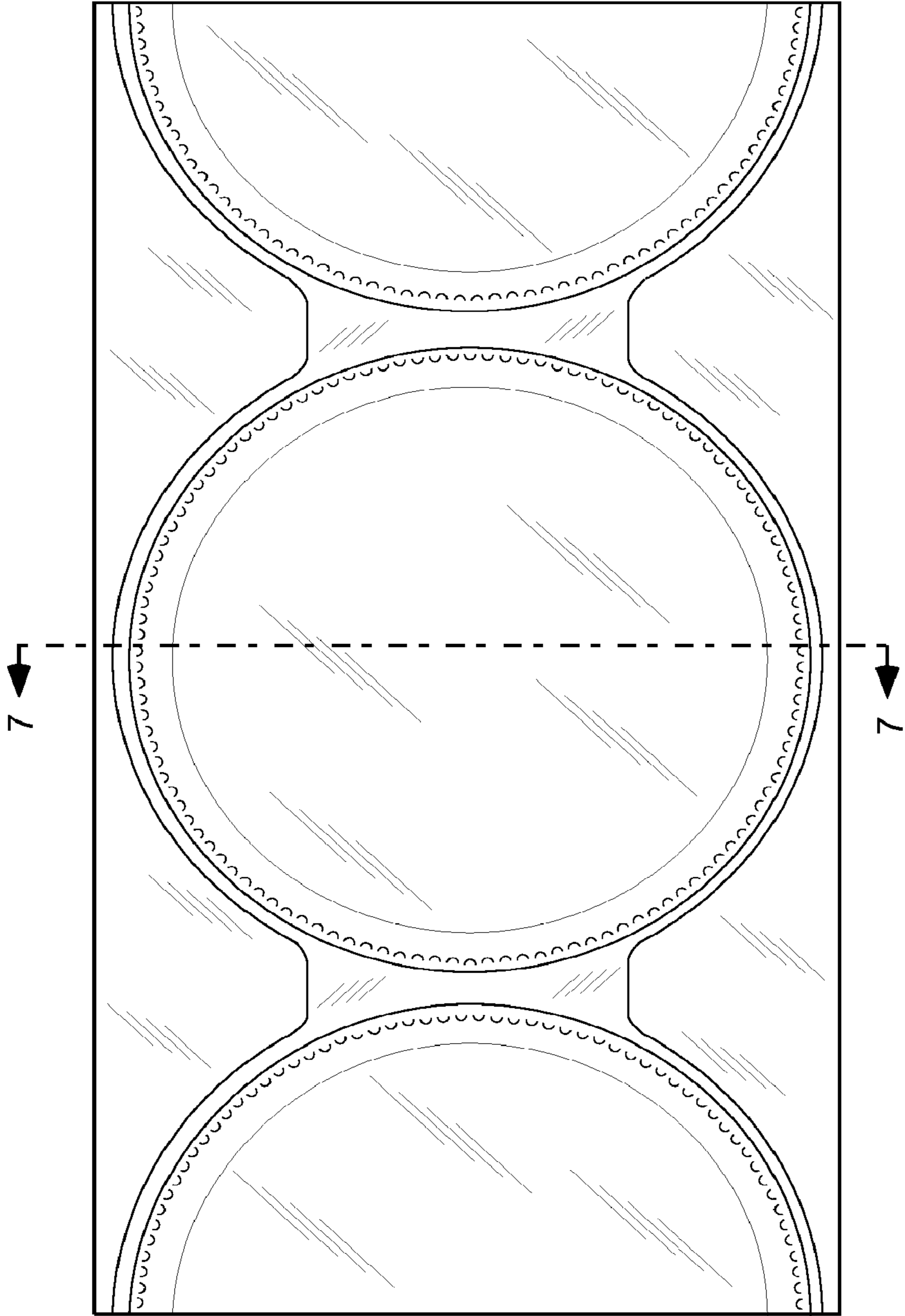


Fig. 1

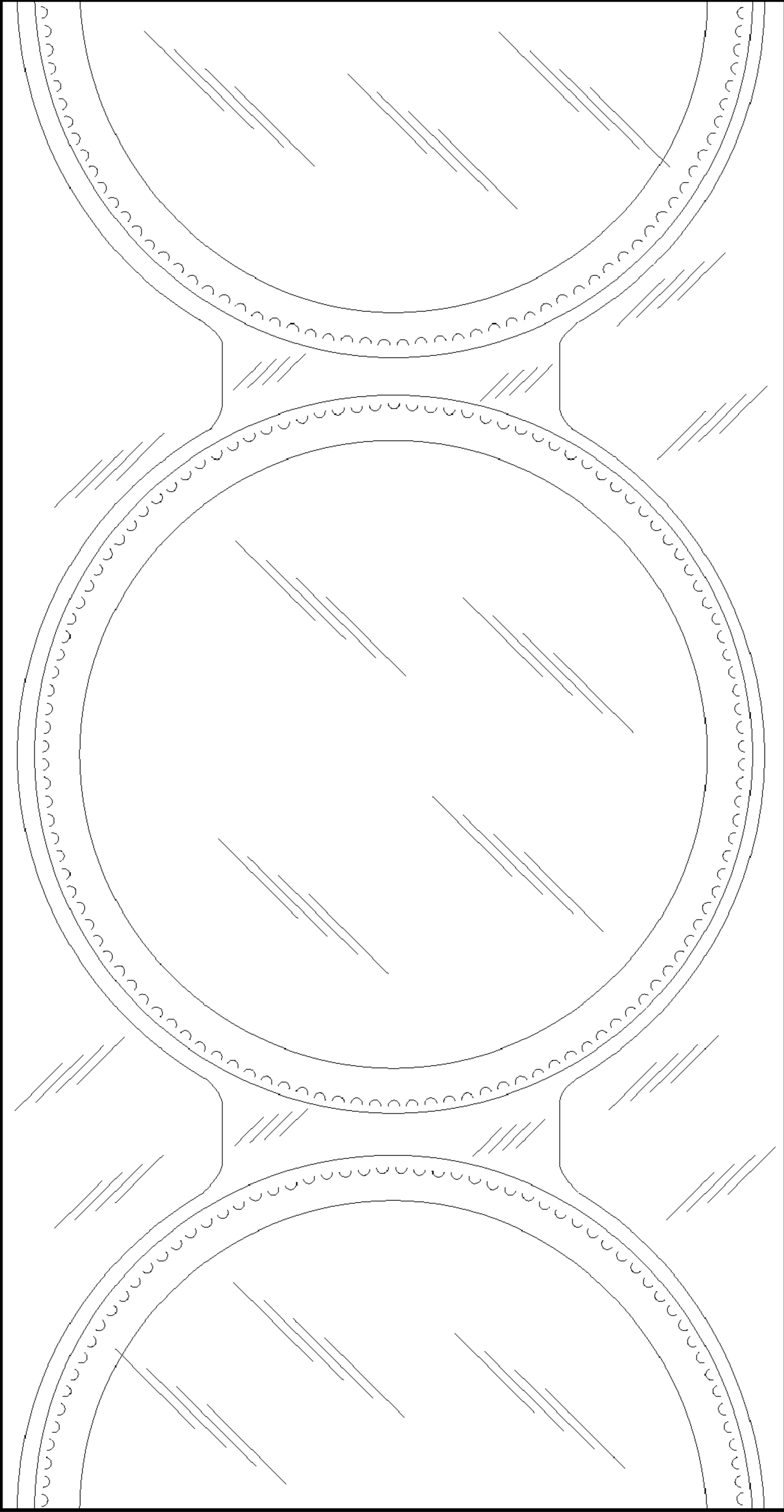


Fig. 2

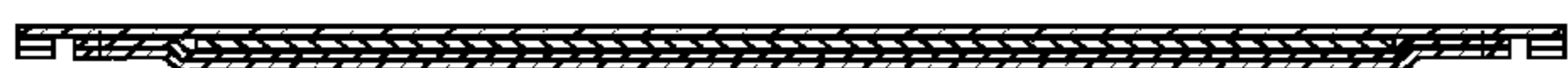


Fig. 3



Fig. 4



Fig. 5

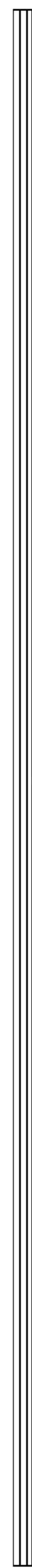


Fig. 6

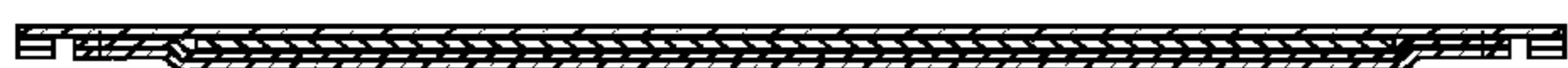
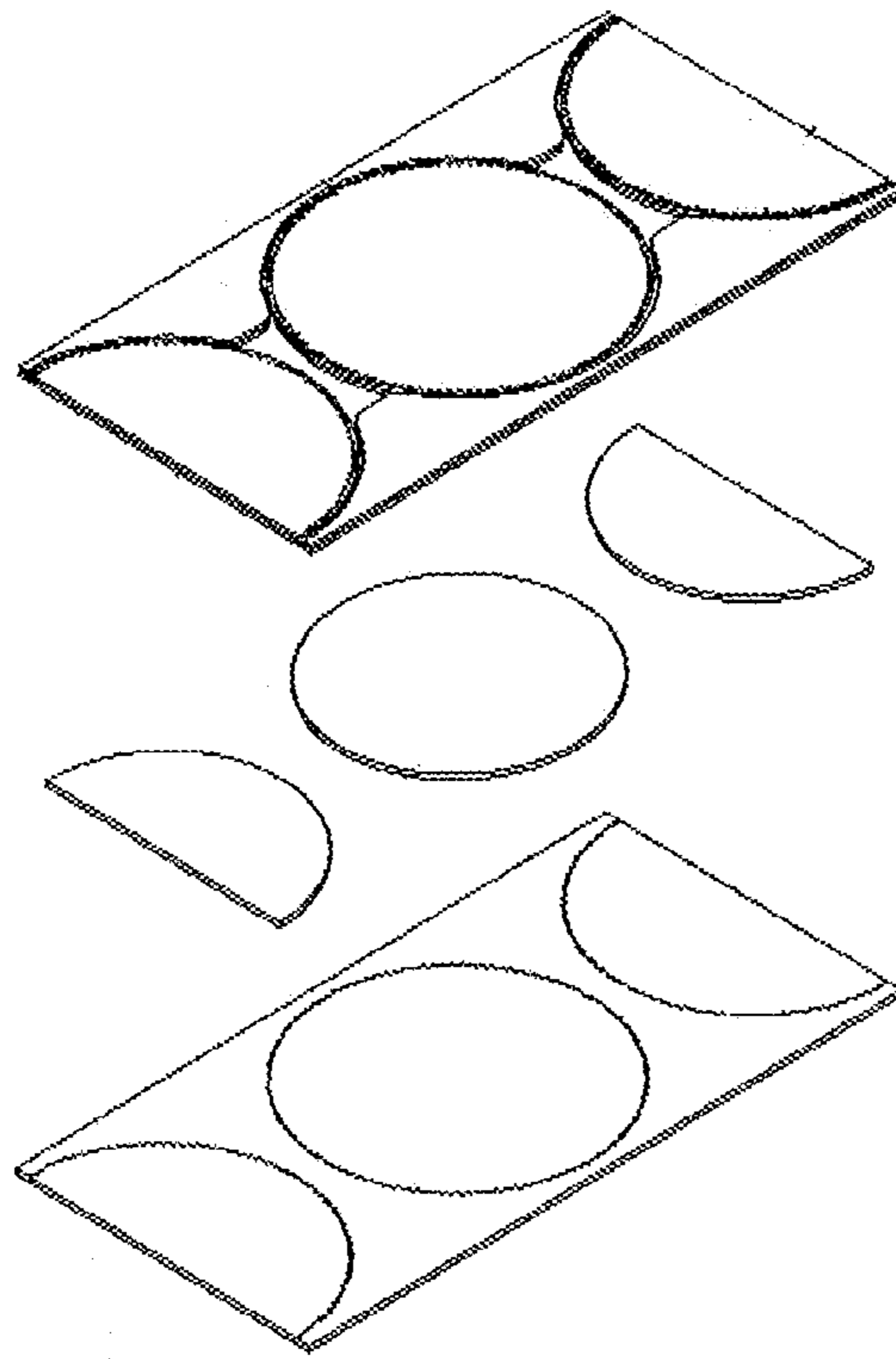
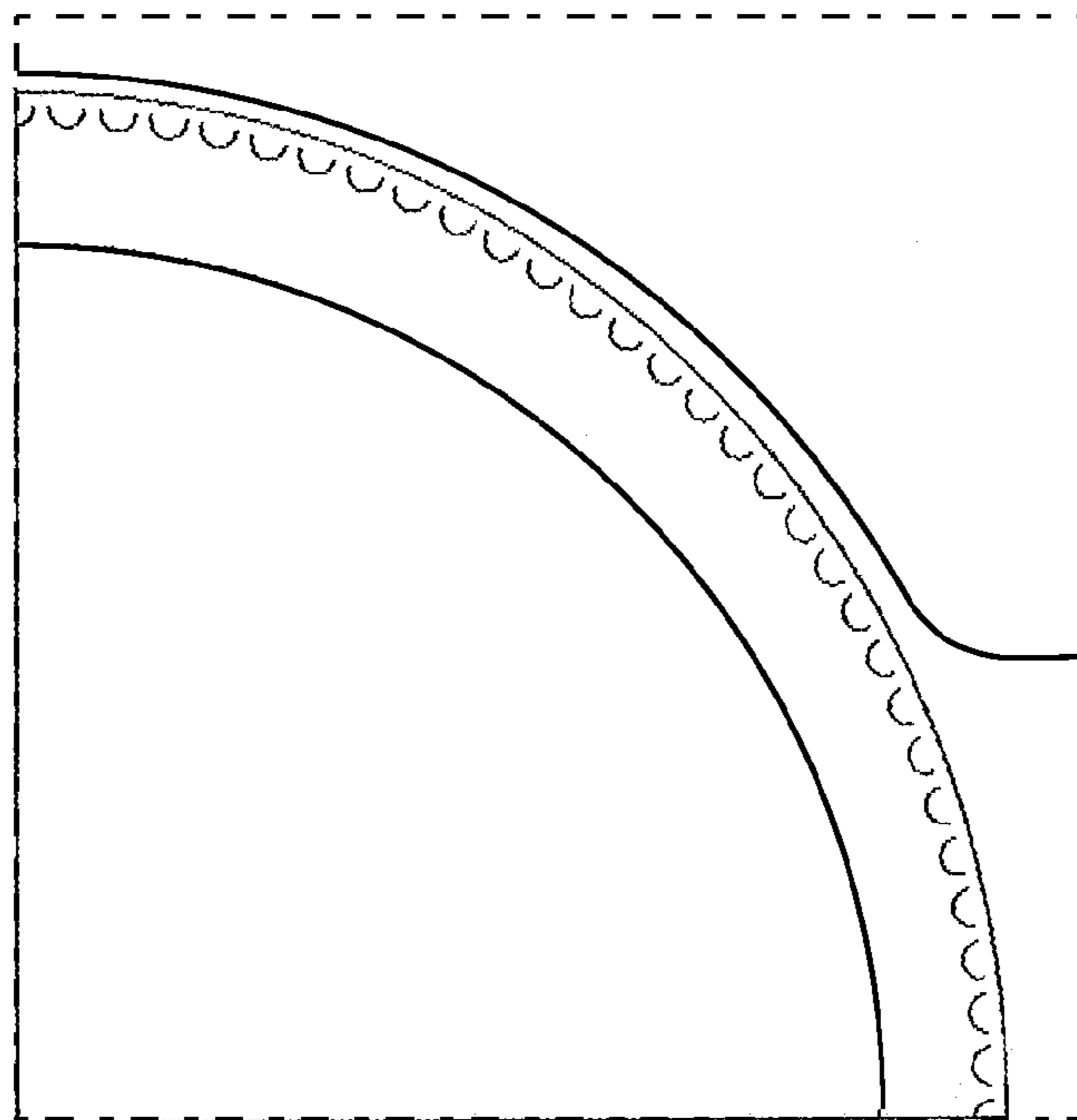


Fig. 7





**Fig. 8**



**Fig. 9**

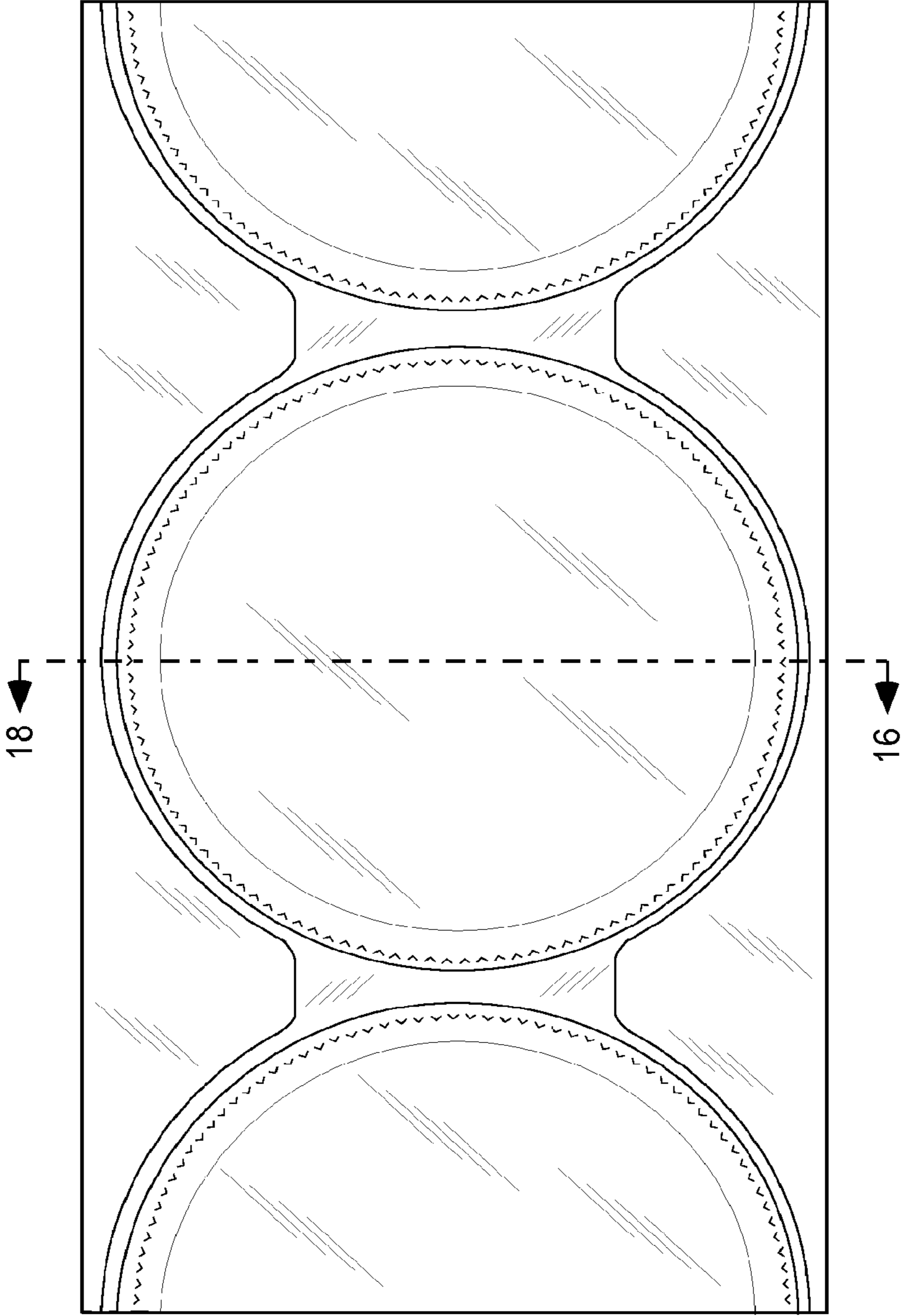


Fig. 10

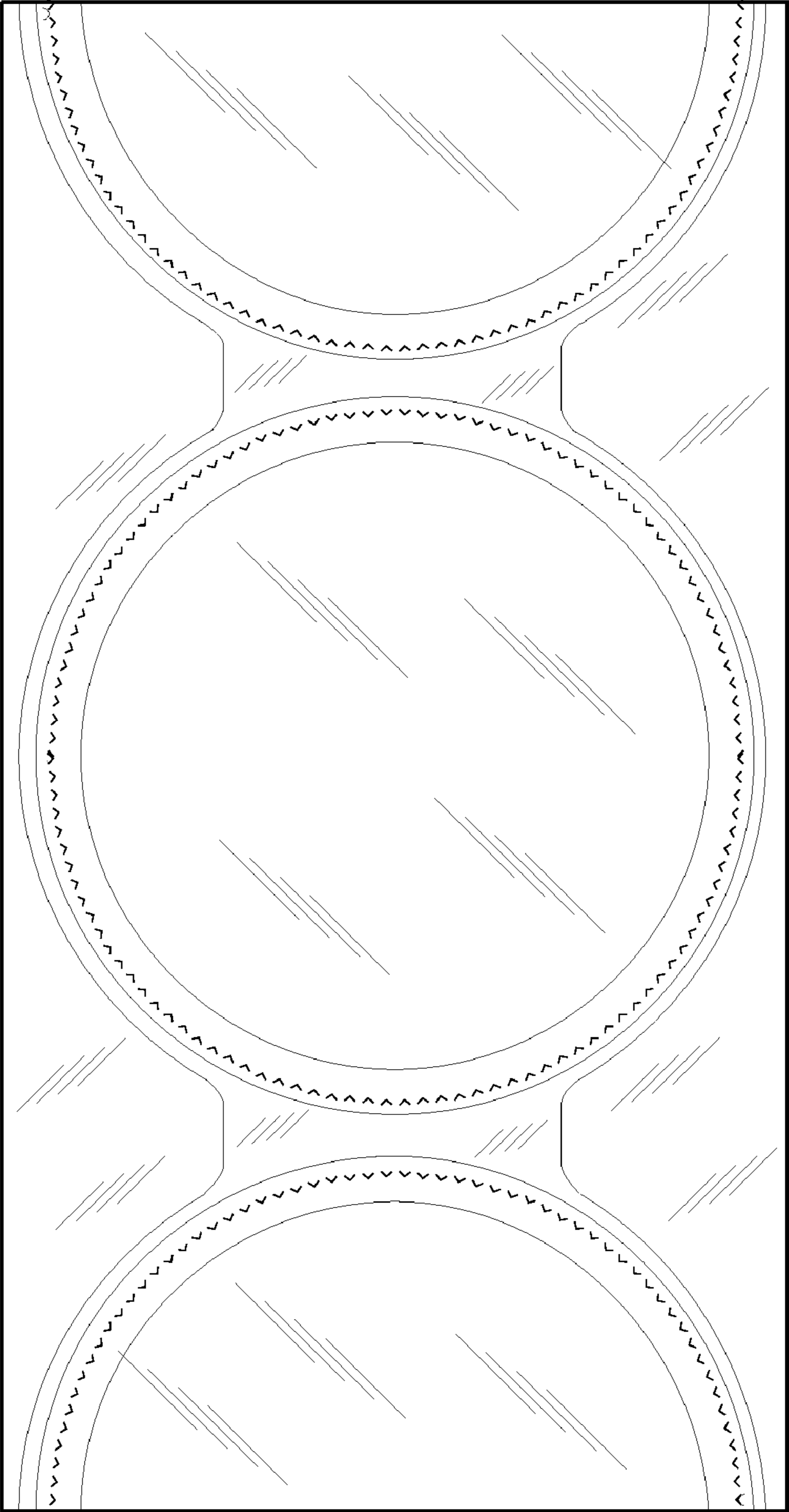


Fig. 11





Fig. 16



Fig. 13



Fig. 12



Fig. 14



Fig. 15

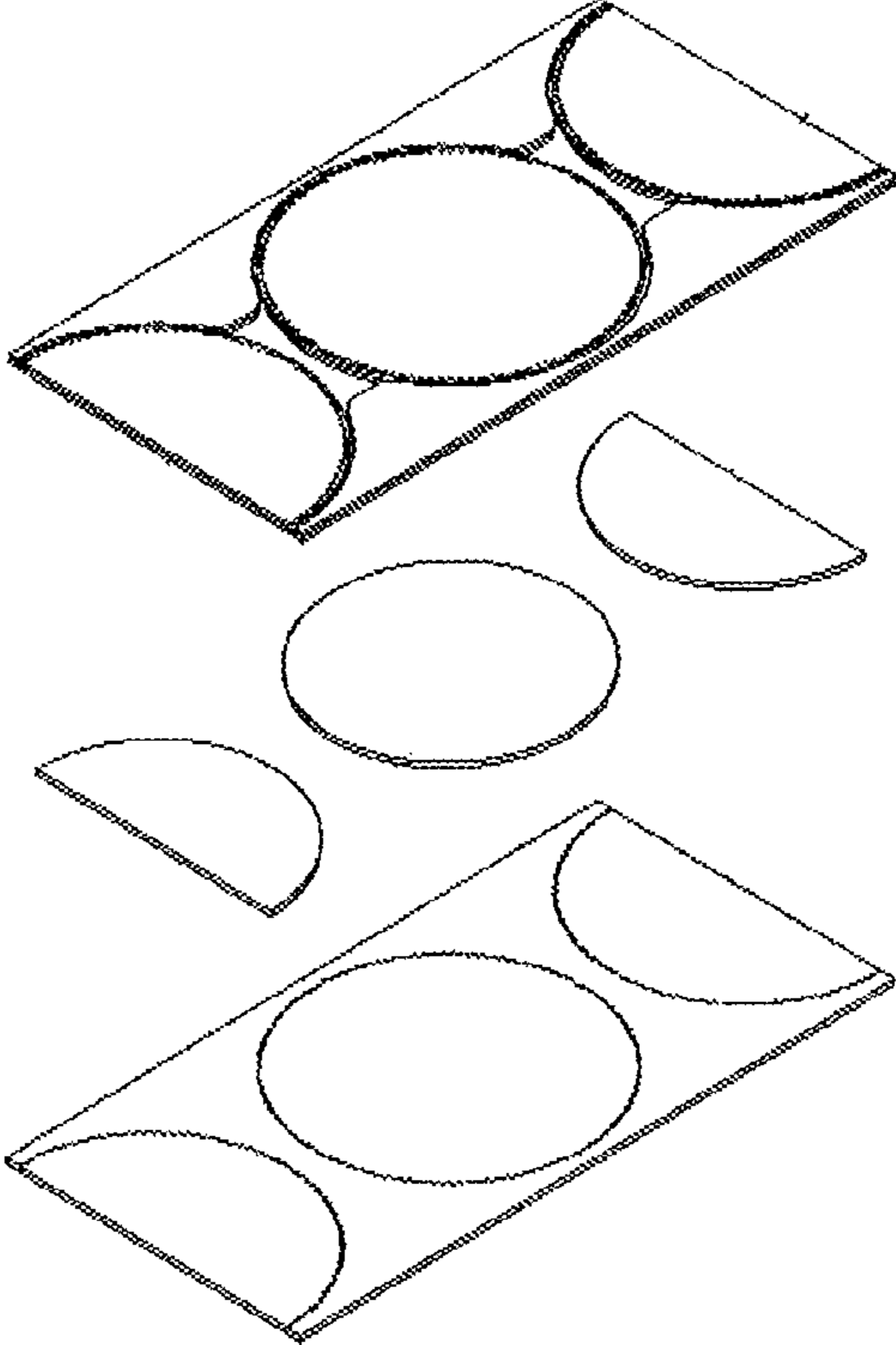


Fig. 17

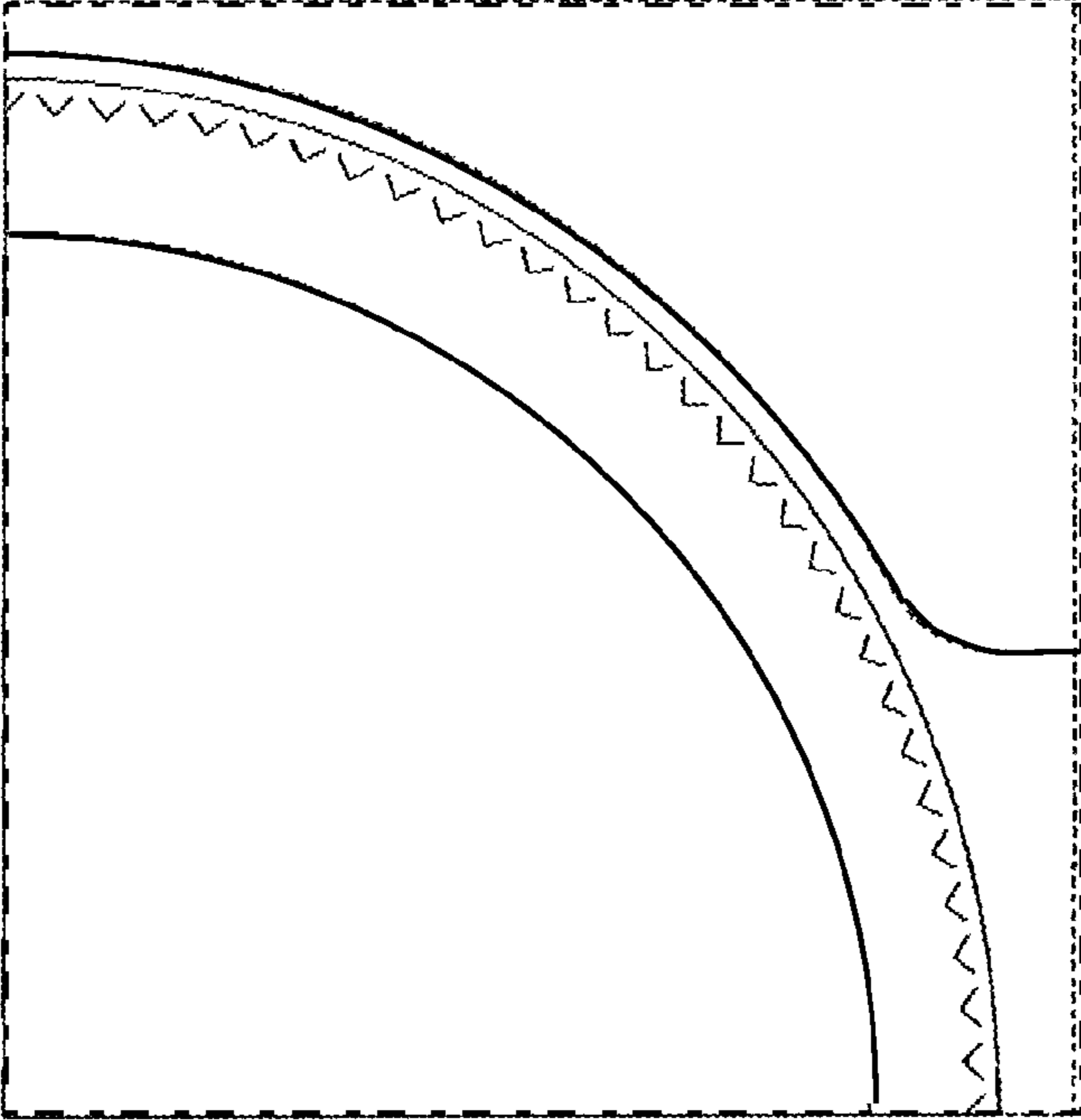


Fig. 18

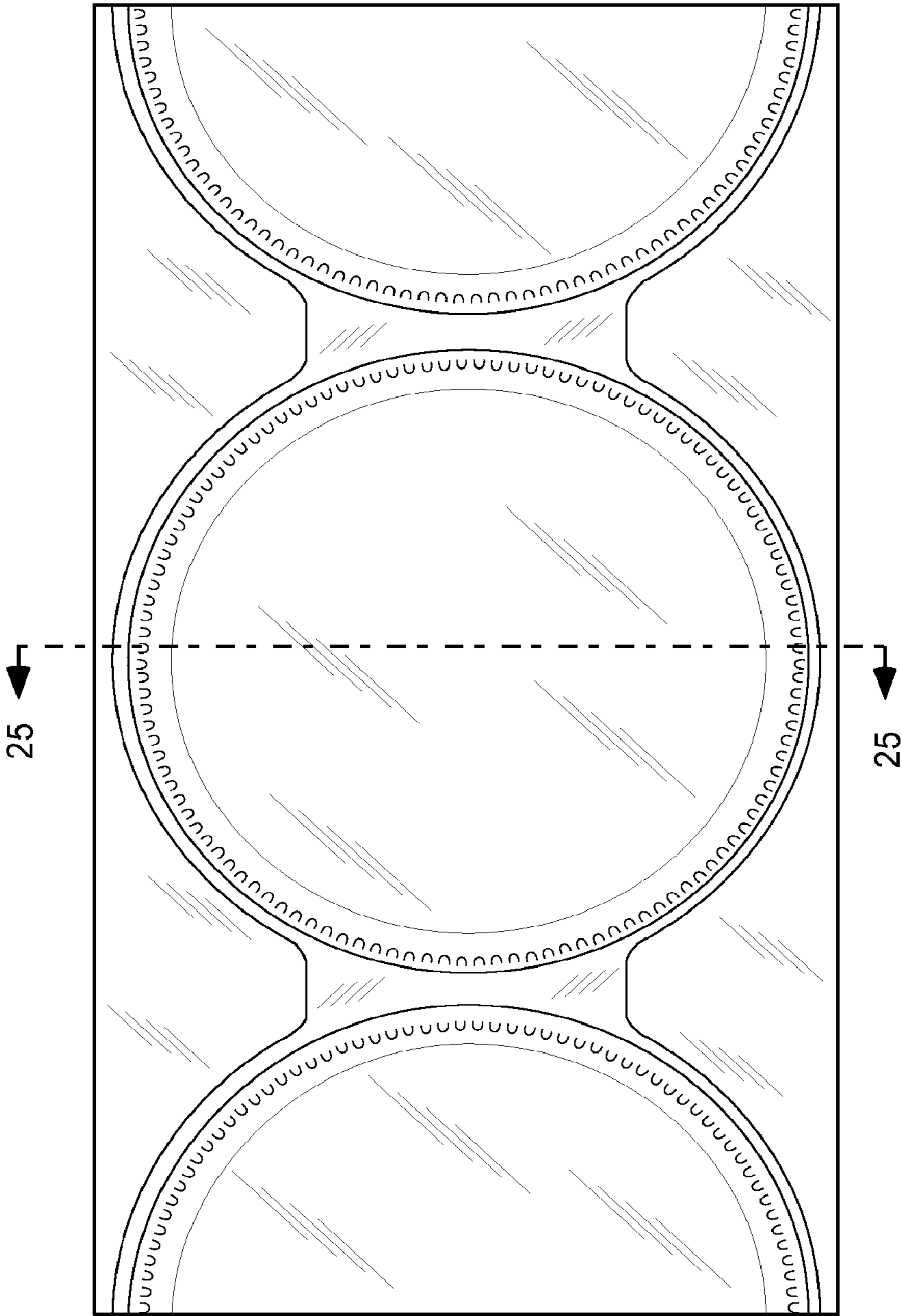


Fig. 19

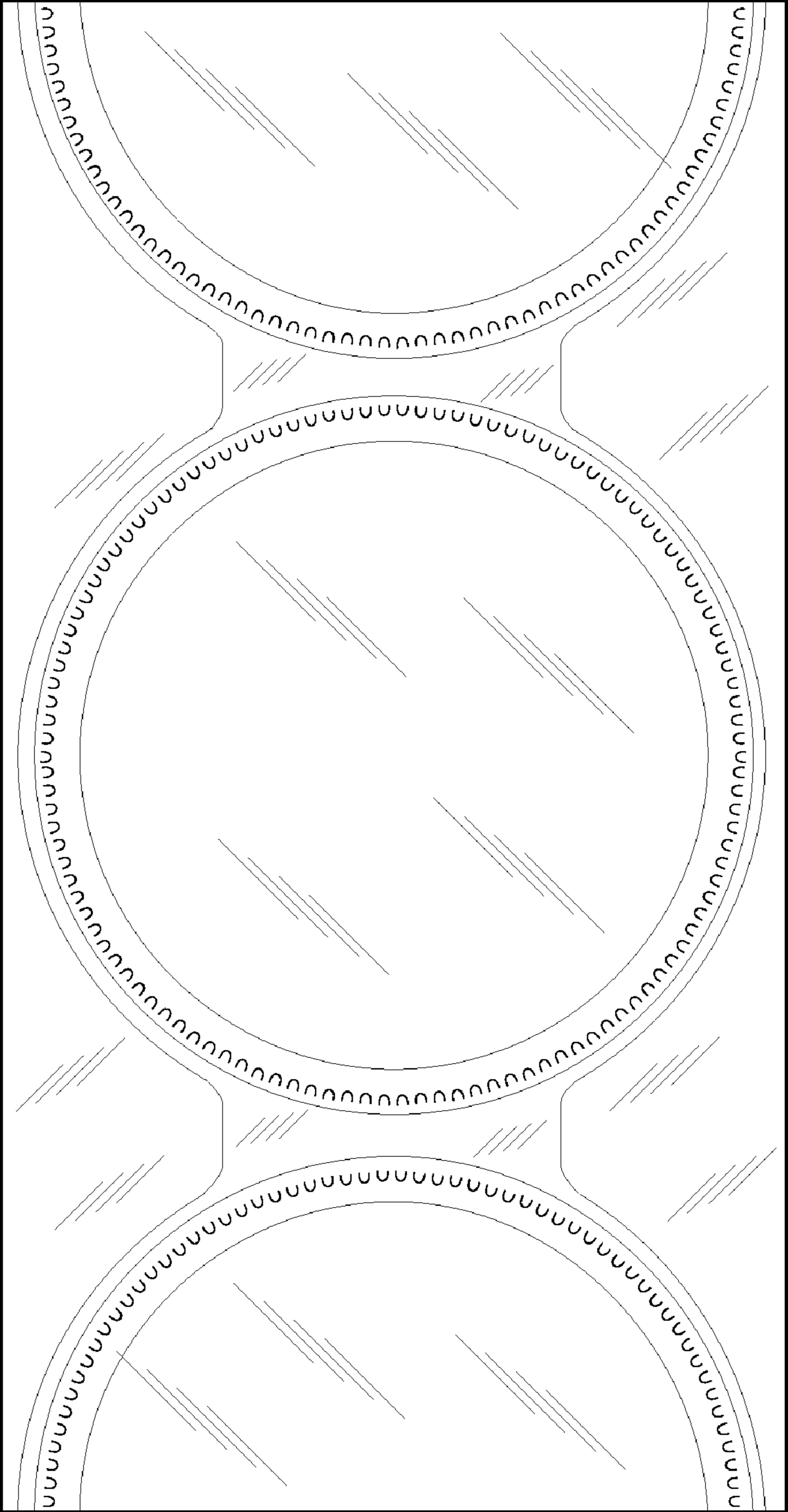


Fig. 20

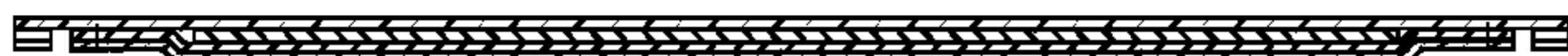


Fig. 25



Fig. 22



Fig. 21

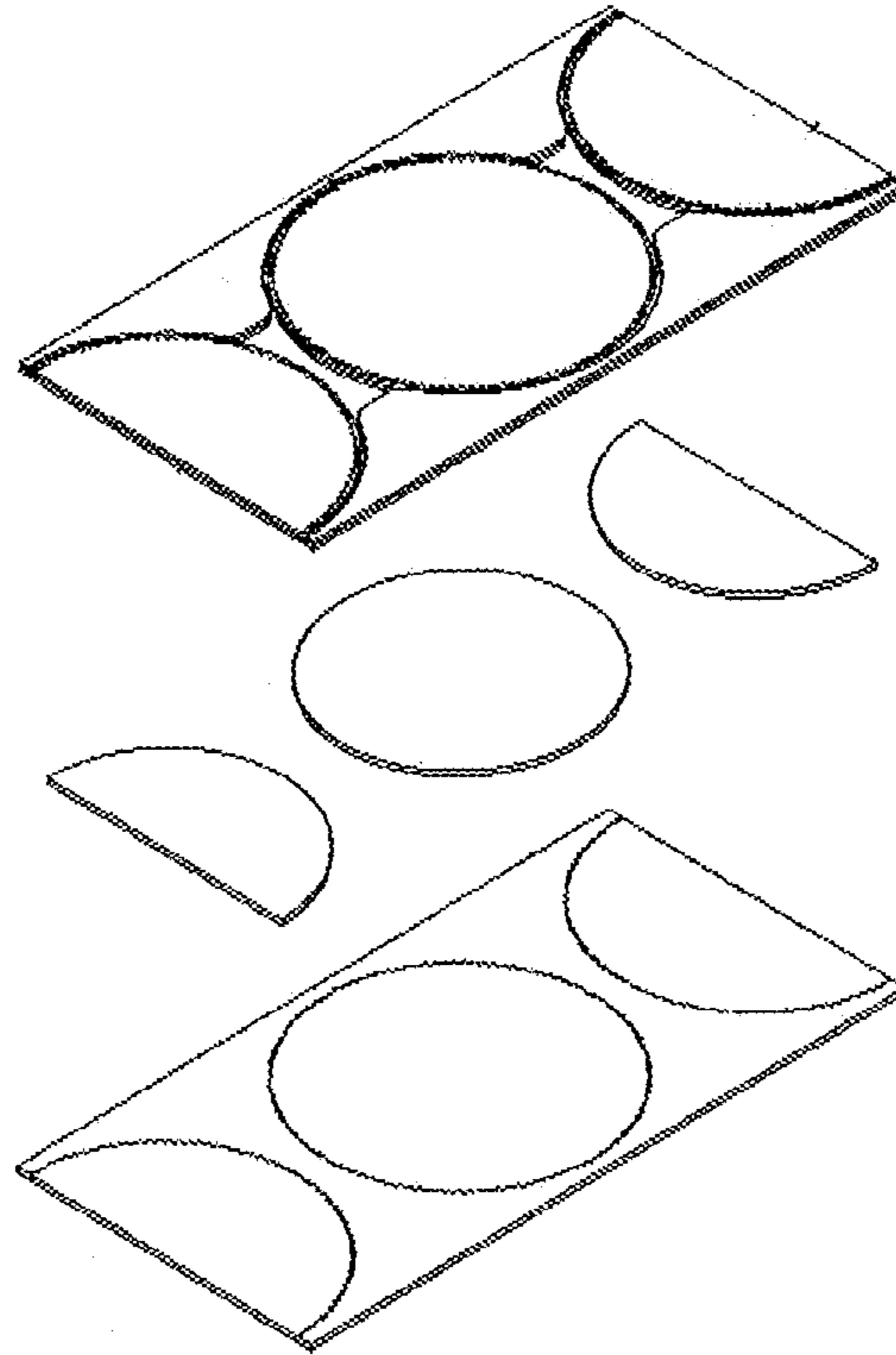


Fig. 23

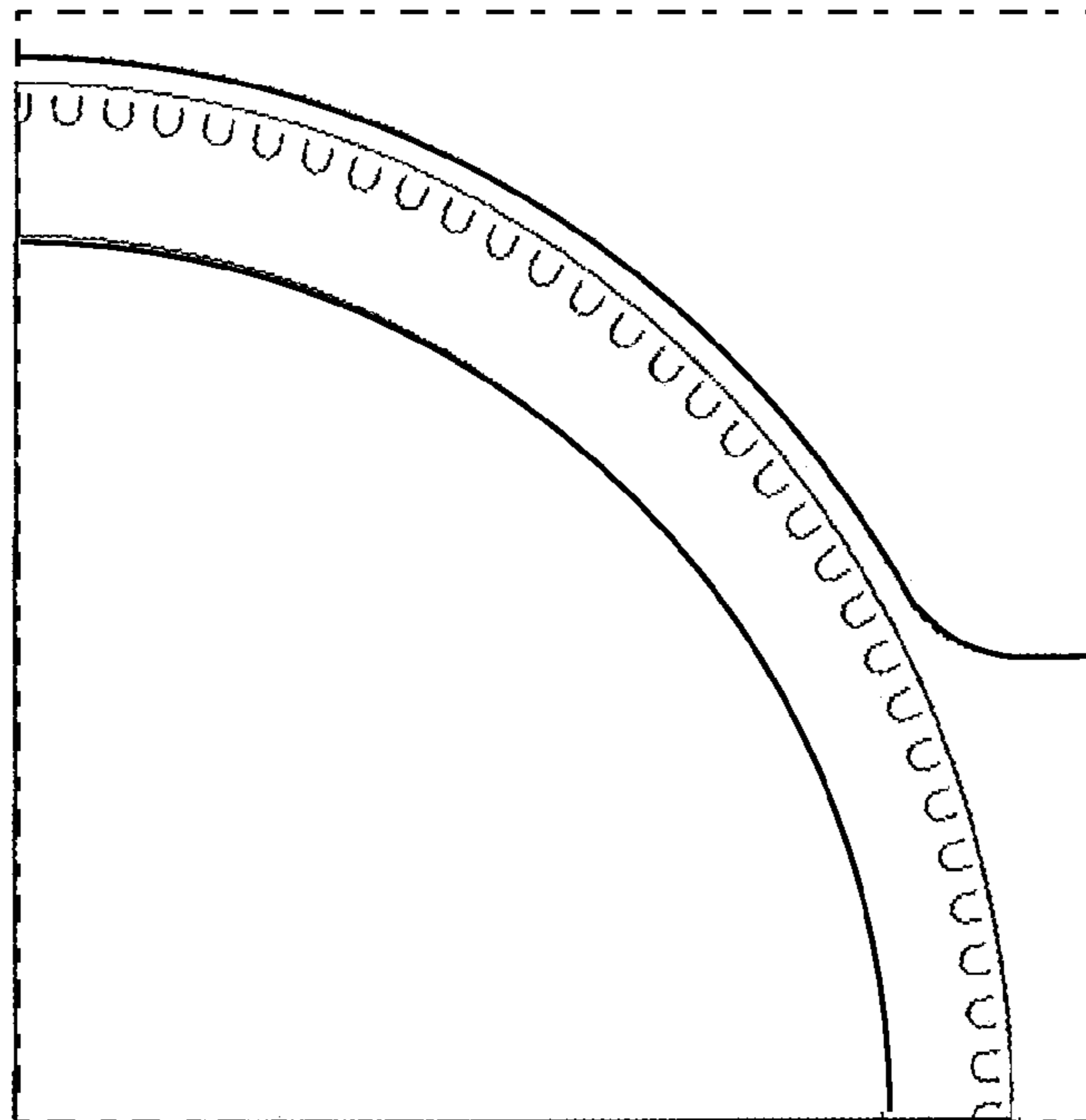


Fig. 24





**Fig. 26**



**Fig. 27**