

US00D656903S

(12) **United States Design Patent**  
**Suzuki et al.**

(10) **Patent No.:** **US D656,903 S**

(45) **Date of Patent:** **\*\* Apr. 3, 2012**

(54) **ELECTROMAGNETIC CONTACTOR**

(75) Inventors: **Kenji Suzuki**, Tokyo (JP); **Kouetsu Takaya**, Tokyo (JP); **Yuichi Yamamoto**, Tokyo (JP); **Yuji Shiba**, Tokyo (JP); **Yasuhiro Naka**, Tokyo (JP)

(73) Assignee: **Fuji Electric Fa Components & Systems Co., Ltd.**, Tokyo (JP)

(\*\*) Term: **14 Years**

(21) Appl. No.: **29/387,371**

(22) Filed: **Mar. 11, 2011**

(30) **Foreign Application Priority Data**

Dec. 17, 2010 (JP) ..... D2010-030254

(51) **LOC (9) Cl.** ..... **13-03**

(52) **U.S. Cl.** ..... **D13/159**

(58) **Field of Classification Search** ..... D13/158, D13/159, 160, 162, 184, 199; 200/43.14, 200/50.01, 50.21-50.23; 361/42, 44, 50, 361/71, 115, 608, 634

See application file for complete search history.

(56) **References Cited**

**U.S. PATENT DOCUMENTS**

5,424,900 A \* 6/1995 Kiiskinen et al. .... 361/116  
D468,687 S \* 1/2003 Hamada et al. .... D13/113

D621,369 S \* 8/2010 Lin ..... D13/159  
D640,989 S \* 7/2011 Detemple et al. .... D13/159  
D640,991 S \* 7/2011 Detemple et al. .... D13/159  
D642,131 S \* 7/2011 Detemple et al. .... D13/159  
2002/0192990 A1 \* 12/2002 Alexandre ..... 439/135

\* cited by examiner

*Primary Examiner* — Thomas Johannes

(74) *Attorney, Agent, or Firm* — Young & Thompson

(57) **CLAIM**

The ornamental design for an electromagnetic contactor, as shown and described.

**DESCRIPTION**

FIG. 1 is a perspective view of front, top and left side of an electromagnetic contactor showing our new design;

FIG. 2 is a perspective view of rear, bottom and right side thereof;

FIG. 3 is a front view thereof;

FIG. 4 is a rear view thereof;

FIG. 5 is a top plan view thereof;

FIG. 6 is a bottom view thereof;

FIG. 7 is a left side view thereof; and,

FIG. 8 is a right side view thereof.

The broken line portion of the figure drawings is included to show unclaimed subject matter only and forms no part of the claimed design.

**1 Claim, 5 Drawing Sheets**

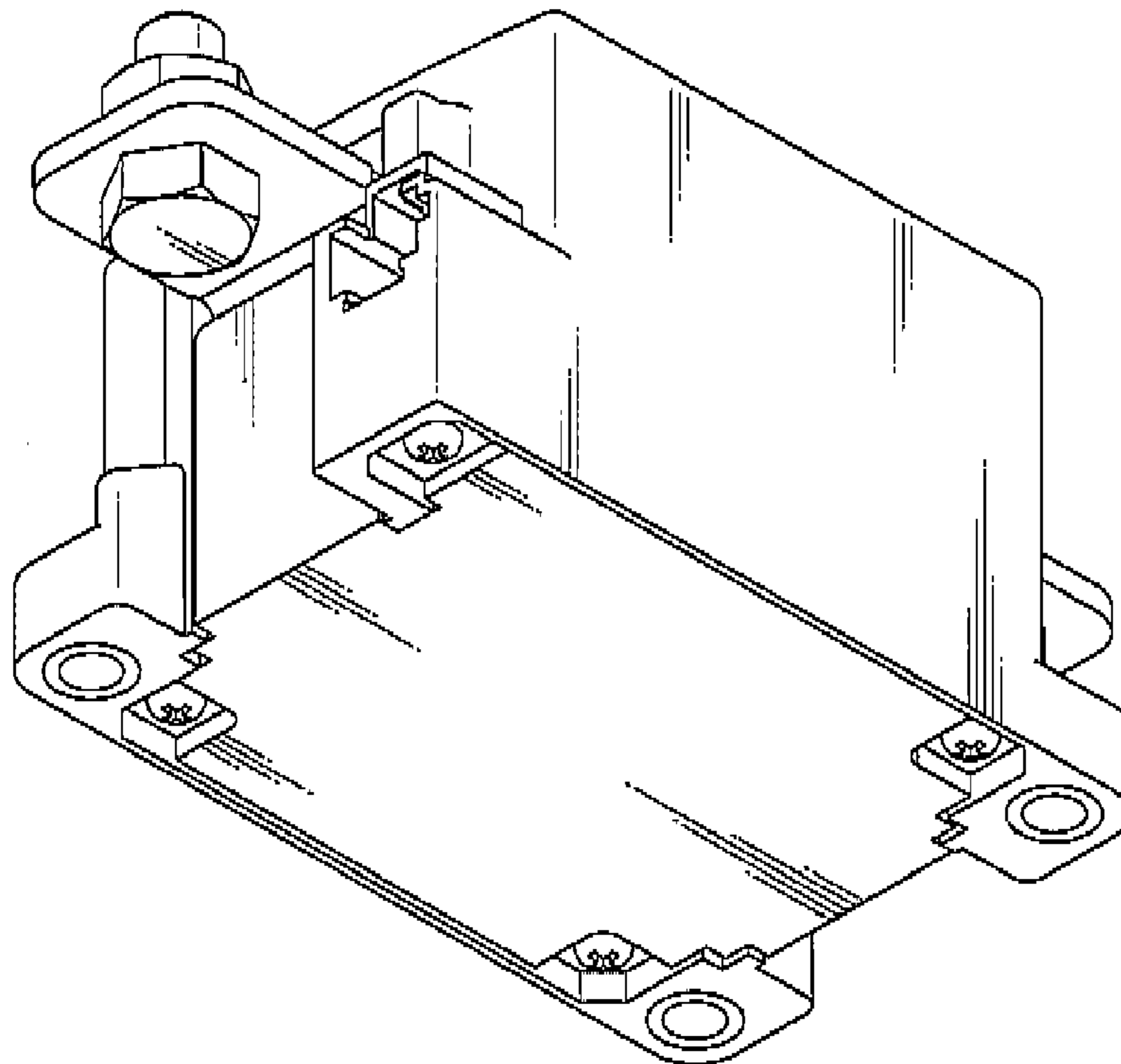


Fig. 1

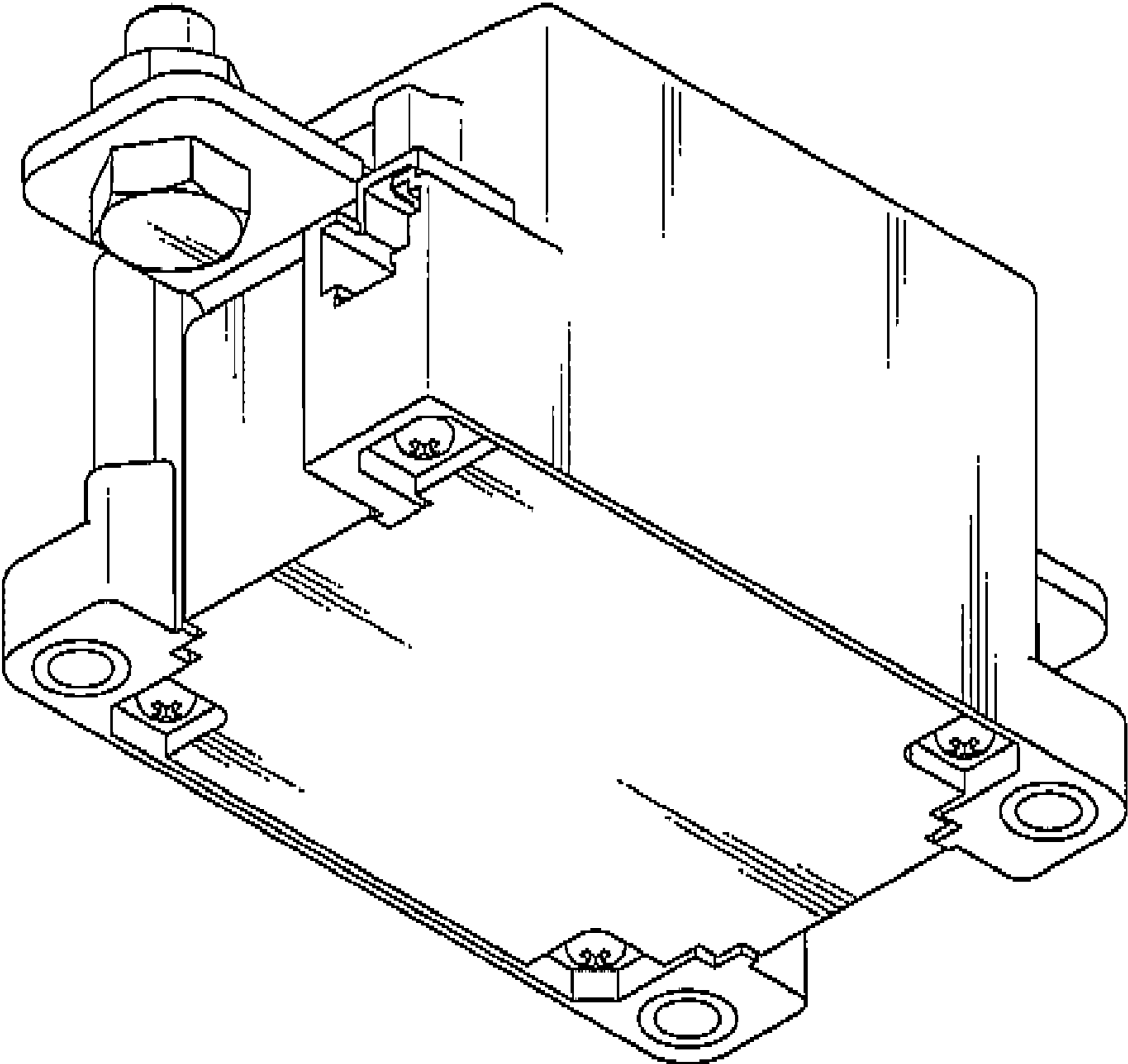


Fig. 2

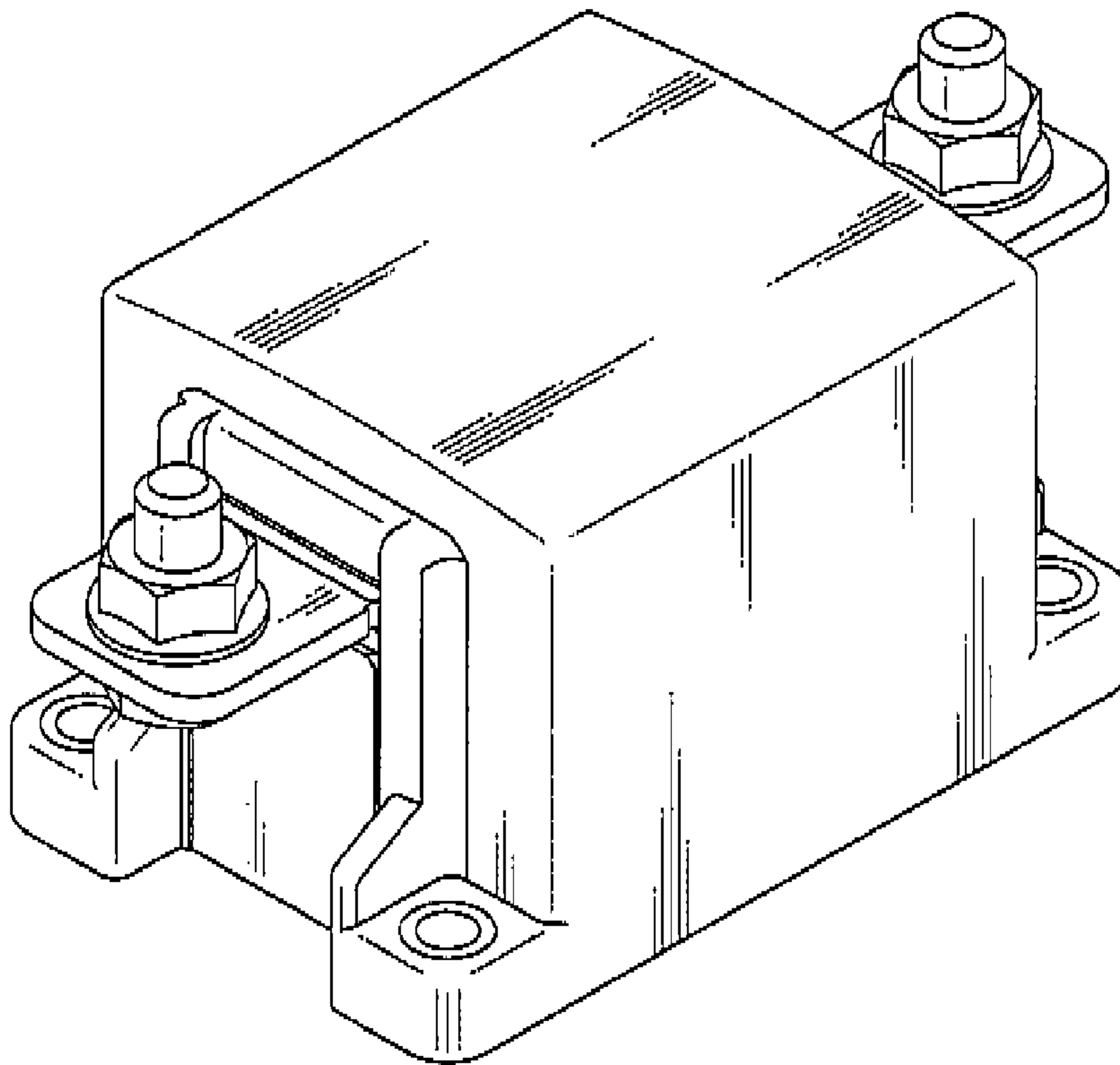


Fig. 3

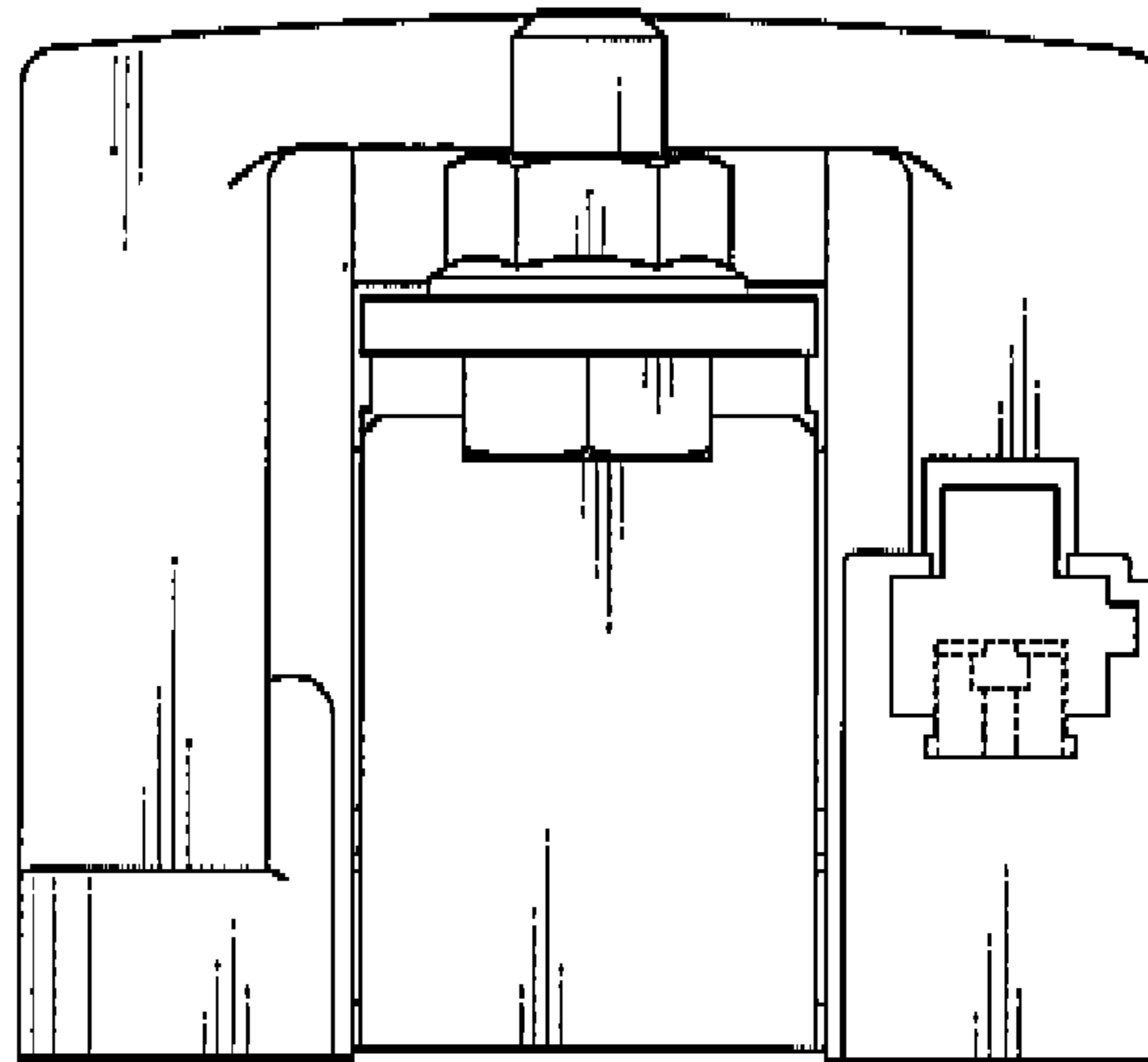


Fig. 4

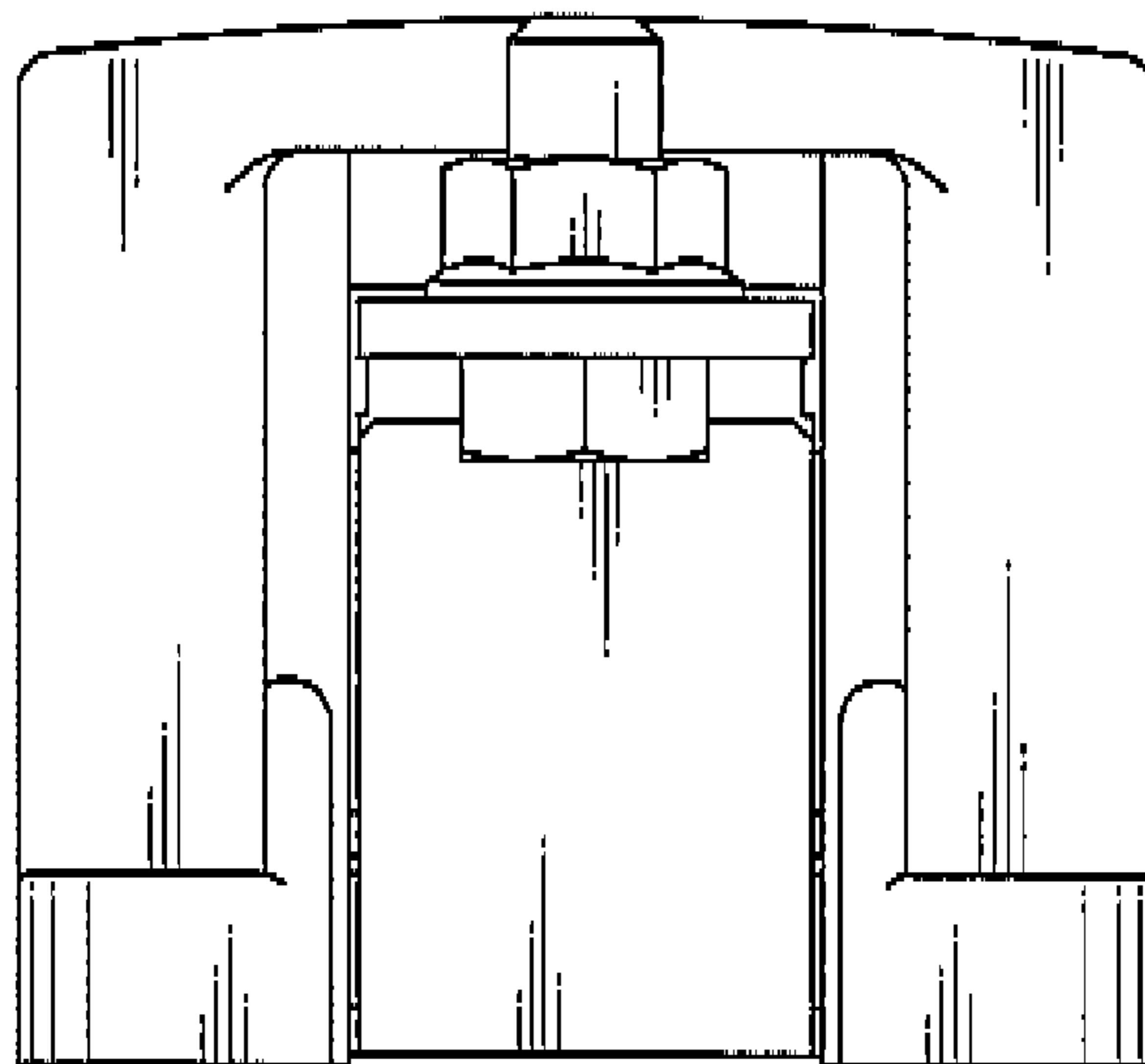


Fig. 5

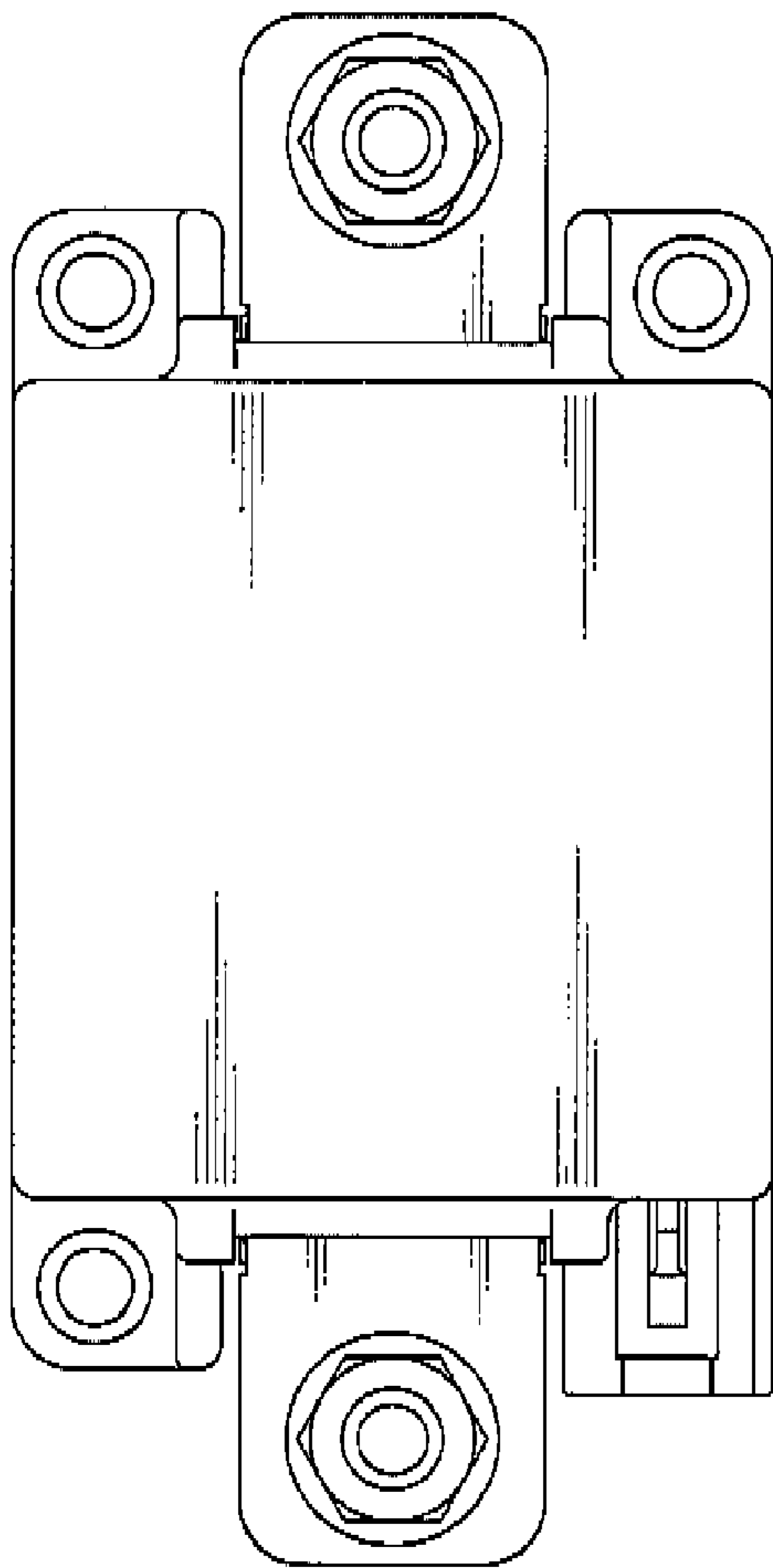


Fig. 6

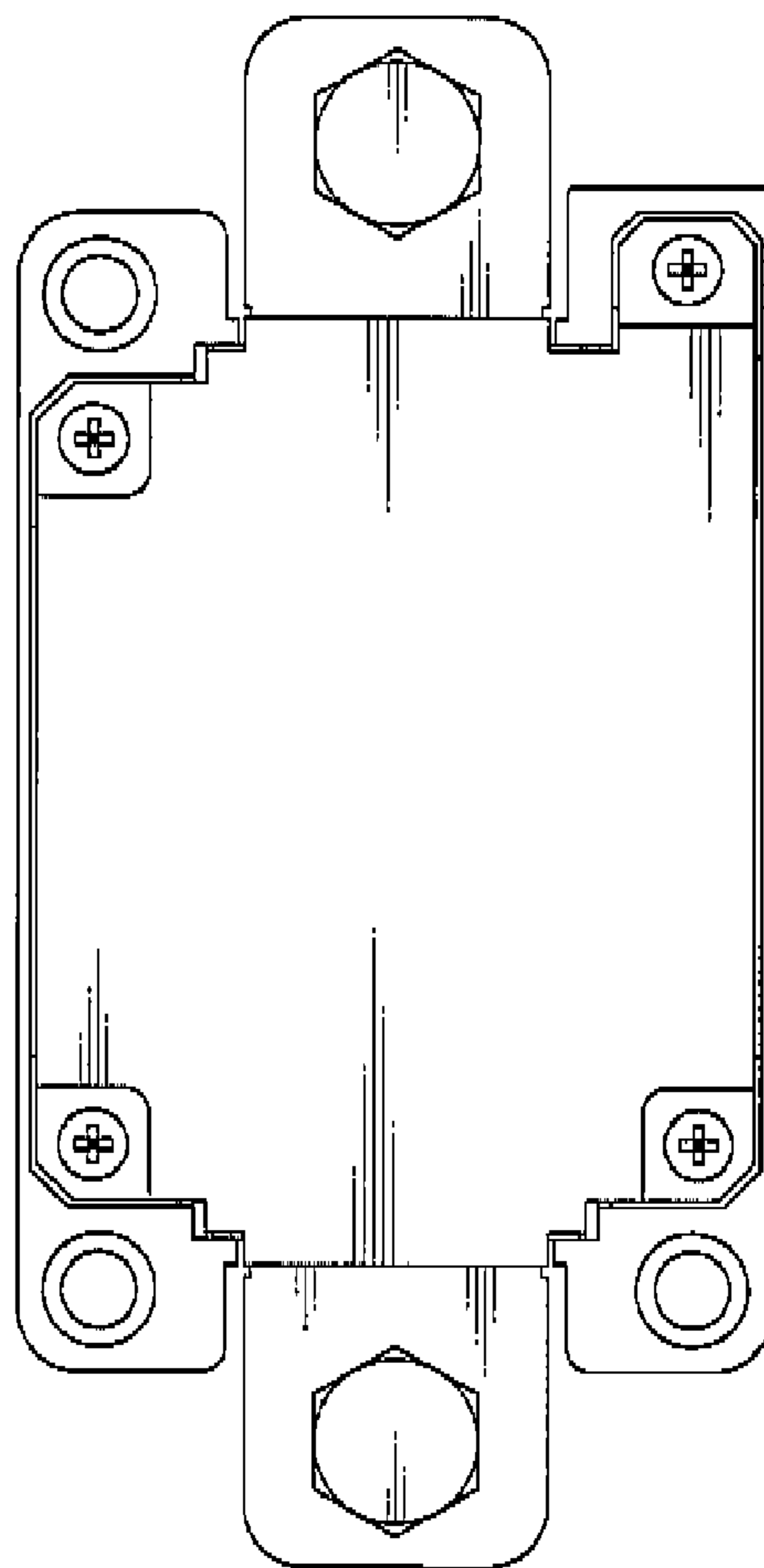


Fig. 7

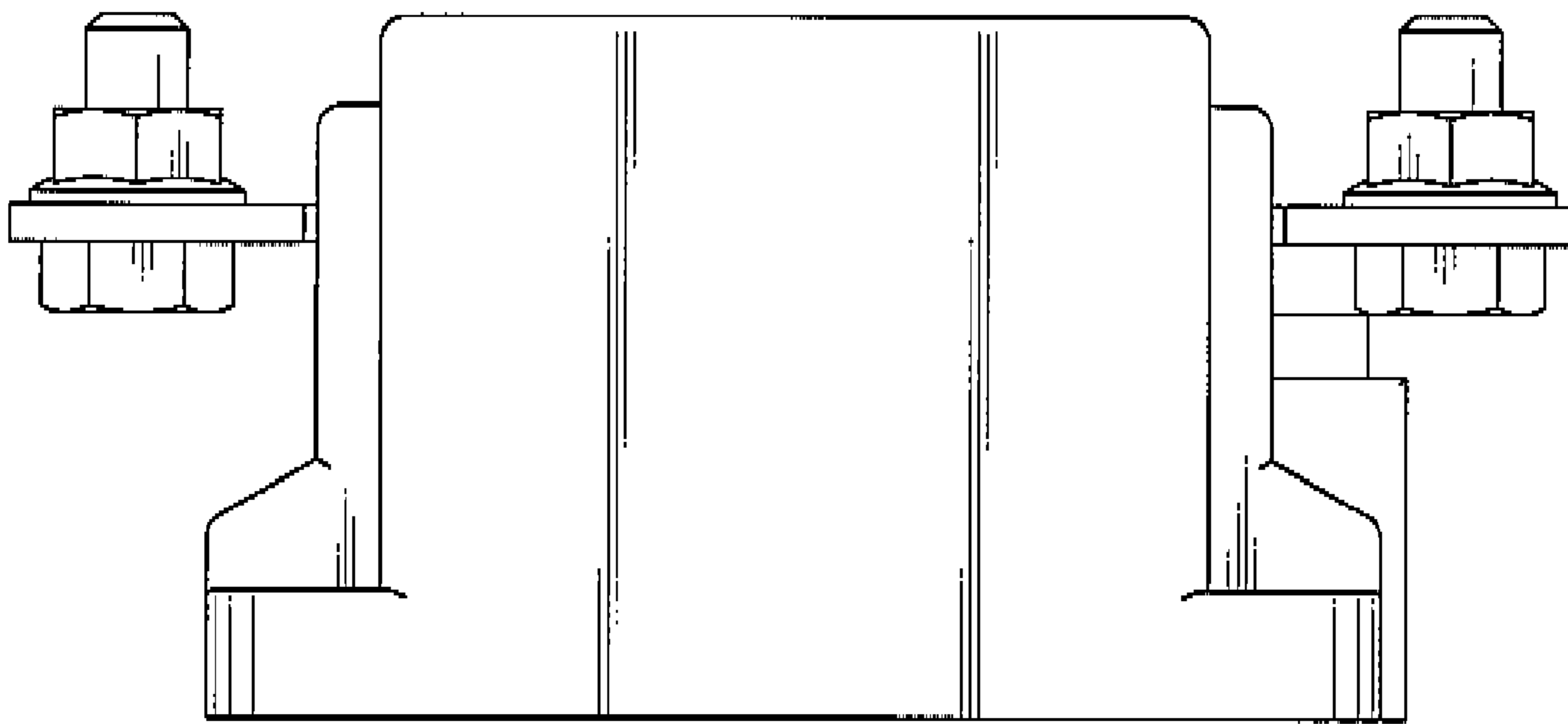


Fig. 8

