



US00D656899S

(12) **United States Design Patent**
Webb et al.

(10) **Patent No.:** **US D656,899 S**
(45) **Date of Patent:** **** Apr. 3, 2012**

(54) **MOBILE VEHICLE DUAL POWER ADAPTER**

(76) Inventors: **Brad Webb**, Woodbury, MN (US);
Roger Widner, Farmington, MN (US);
Vita Yang, Gangshan Township,
Kaohsiung County (TW); **Lee Chen**,
Xizhi (TW)

D496,904 S * 10/2004 Nazar D13/110
D507,532 S 7/2005 Kajiwara et al.
6,984,138 B2 1/2006 Faunce et al.
7,073,923 B2 7/2006 Cope
D545,274 S 6/2007 Dong
D589,501 S 3/2009 Avicola et al.
D609,183 S 2/2010 Stiff et al.

(Continued)

(**) Term: **14 Years**

FOREIGN PATENT DOCUMENTS

(21) Appl. No.: **29/375,564**

WO 2007053743 5/2007

(Continued)

(22) Filed: **Sep. 24, 2010**

OTHER PUBLICATIONS

(51) **LOC (9) Cl.** **13-03**

(52) **U.S. Cl.** **D13/144**

(58) **Field of Classification Search** D13/107,
D13/108, 110, 118, 119, 120, 133, 144, 154,
D13/184, 199; 320/107-109; 363/13, 146;
439/300, 620.01, 638, 668-670, 675, 825

NOELLEEMING.CO.NZ, Belkin Dual USB Cigarette Lighter
Charger for iPod, 2007-2010, <http://www.noelleeming.co.nz/audio-mp3/portable-audio-mp3/ipod-acce...-f8z280-dual-usb-cigarette-lighter-charger-for-ipod/prod101236.html>.

(Continued)

See application file for complete search history.

Primary Examiner — Daniel Bui

(56) **References Cited**

(74) *Attorney, Agent, or Firm* — Beck & Tysver PLLC

U.S. PATENT DOCUMENTS

4,325,107 A 4/1982 MacLeod
D349,096 S 7/1994 Hyvonen
D362,230 S * 9/1995 Yokozawa D13/144
D362,657 S * 9/1995 Tomikawa et al. D13/144
D384,036 S * 9/1997 Janci D13/144
D392,617 S 3/1998 Yokozawa
D400,176 S 10/1998 Jones
D400,177 S 10/1998 Jones
D401,222 S 11/1998 LeBlanc
D406,261 S 3/1999 Kettula et al.
D409,568 S 5/1999 Lindahl
D409,979 S * 5/1999 Lee D13/144
D420,977 S 2/2000 Lohrding
D433,379 S 11/2000 Jokinen
D434,724 S * 12/2000 Wharton D13/110
D442,543 S 5/2001 Krumenacker et al.
D471,517 S * 3/2003 Nazar D13/110
D479,196 S * 9/2003 Shih D13/144
D481,358 S 10/2003 Hsiao
D489,326 S * 5/2004 Nazar D13/110
D490,058 S 5/2004 Mkhitarian

(57) **CLAIM**

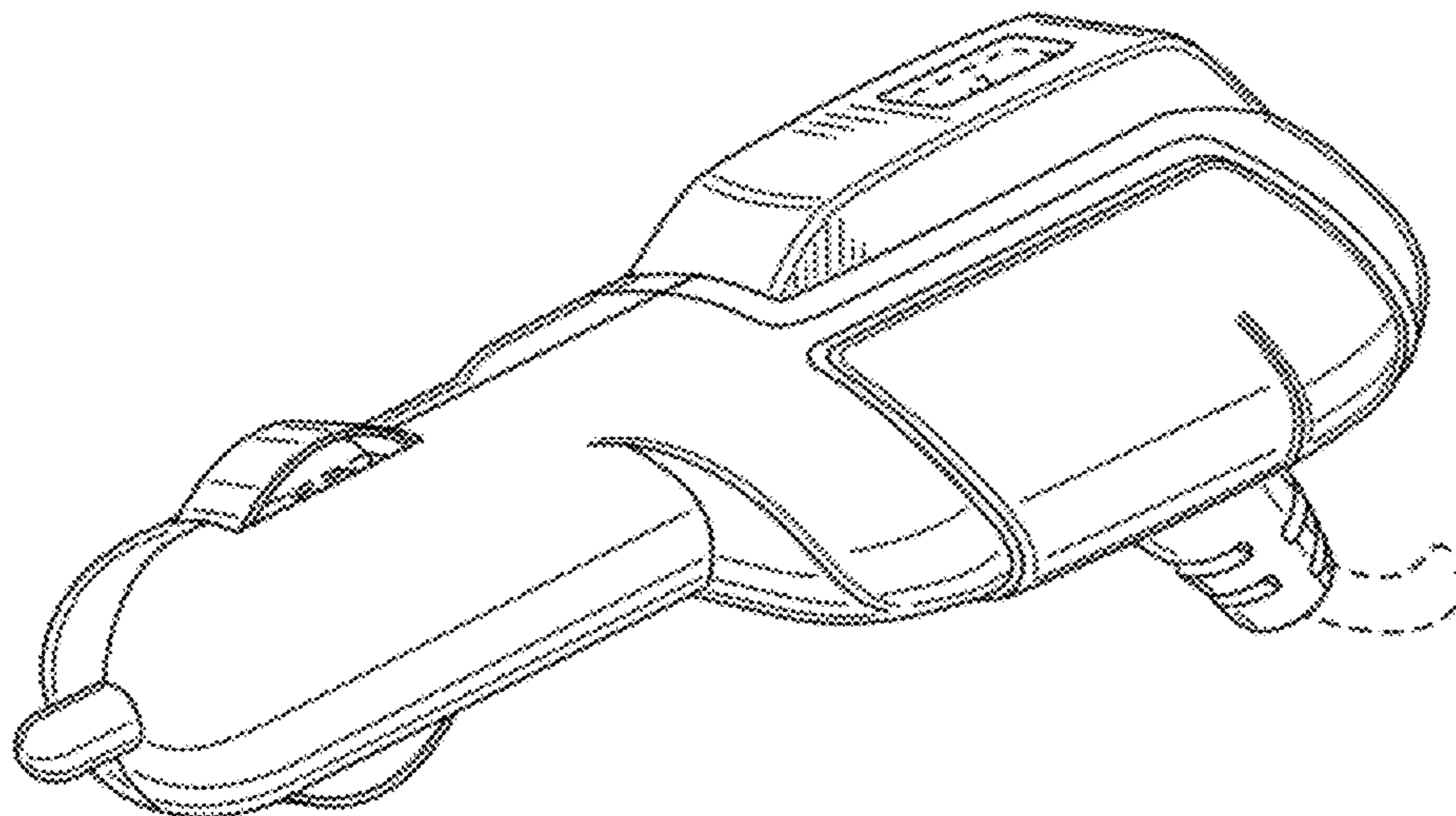
The ornamental design for a mobile vehicle dual power adapter, as shown and described.

DESCRIPTION

FIG. 1 is a top, left and back perspective view of a mobile vehicle dual power adapter showing our new design;
FIG. 2 is a right side view thereof.
FIG. 3 is a left side view thereof.
FIG. 4 is a top view thereof.
FIG. 5 is a bottom view thereof.
FIG. 6 is a back view thereof; and,
FIG. 7 is a front view thereof.

The broken line portion of the figure drawings is included for the purpose of illustrating environment and forms no part of the claimed design.

1 Claim, 2 Drawing Sheets



U.S. PATENT DOCUMENTS

D609,644 S 2/2010 Lin
D611,417 S 3/2010 Dong
2005/0093511 A1 5/2005 Wu
2007/0126290 A1 6/2007 Jaynes et al.
2009/0315513 A1 12/2009 Mkhitarian

FOREIGN PATENT DOCUMENTS

WO 2009049657 4/2009

OTHER PUBLICATIONS

MINUTE-MAN.COM, Unique Products and Components, Online Catalog: Philmore and Calrad Electronics: Plugs, Jacks, Adapters and Cables: Cigarette Ligher Plugs and Sockets, <http://www.minute->

[man.com/acatalog/Online_Catalog_Cigarette_Ligher_Plugs_and_Sockets_272.html](http://www.minute-man.com/acatalog/Online_Catalog_Cigarette_Ligher_Plugs_and_Sockets_272.html).

GLOBALSOURCES.COM, 2010, ShenZhen Chaolitong Electronics Co., Ltd., <http://www.globalsources.com/gsol/1/Cigarette-lighter/p/bg/1010762315.htm>.

DAYDEAL.COM, OEM AT&t Car Charger w/USB Port for Apple iPhone & iPod 75367, Brand/model: AT&T 75367, <http://www.daydeal.com/product.php?productid=36059>.

DEJAVUJEWELRY.COM, Cellular Innovations/DigiPower PCPLGVX8300 Car Cigarette Lighter Cell Phone Charger—LG 8300/VX6100, <http://www.dejavujewelry.com/das-pcplgvx8300.html>.

* cited by examiner

Fig. 1

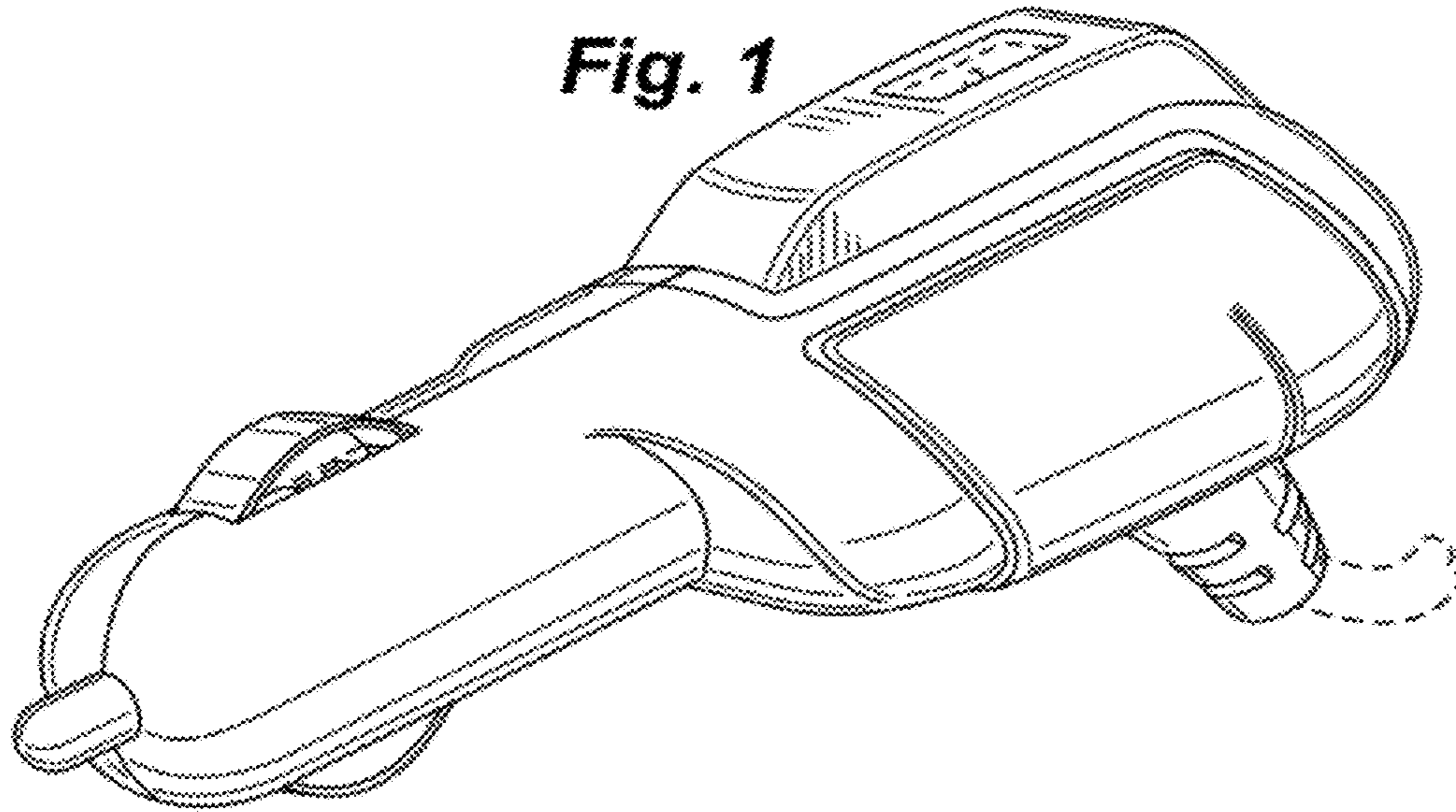


Fig. 2

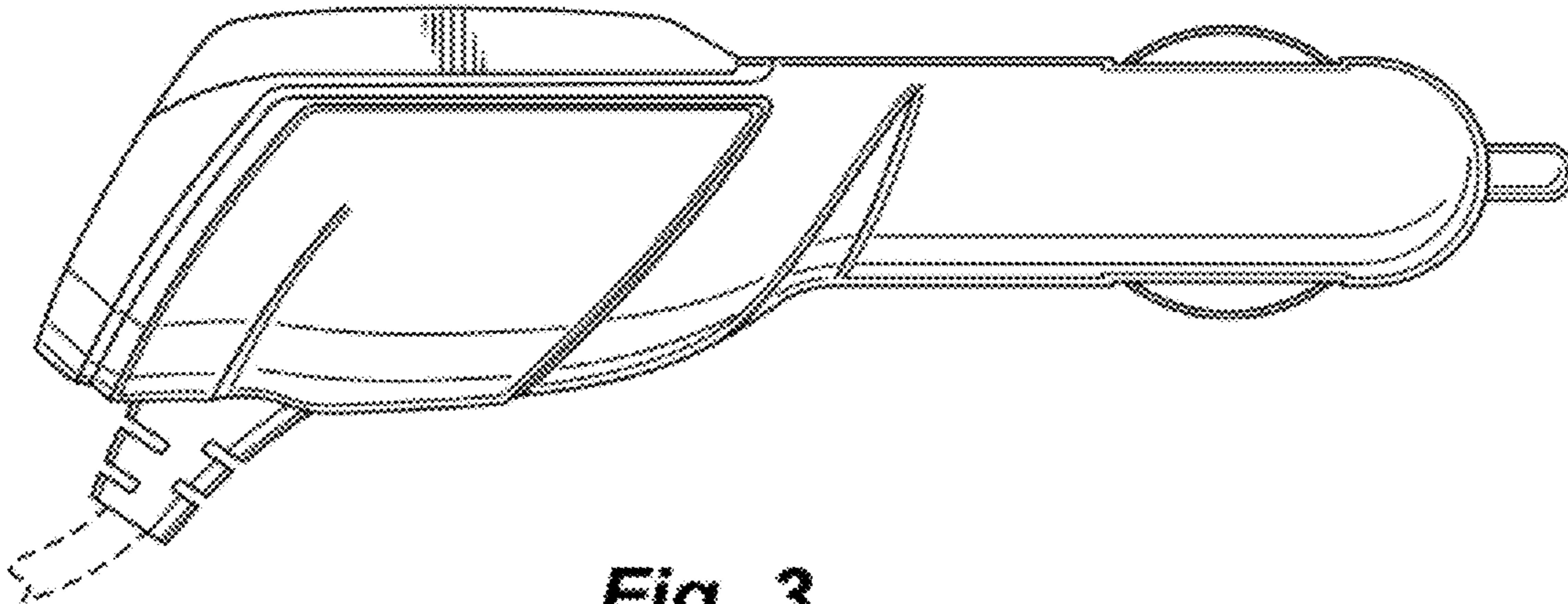


Fig. 3

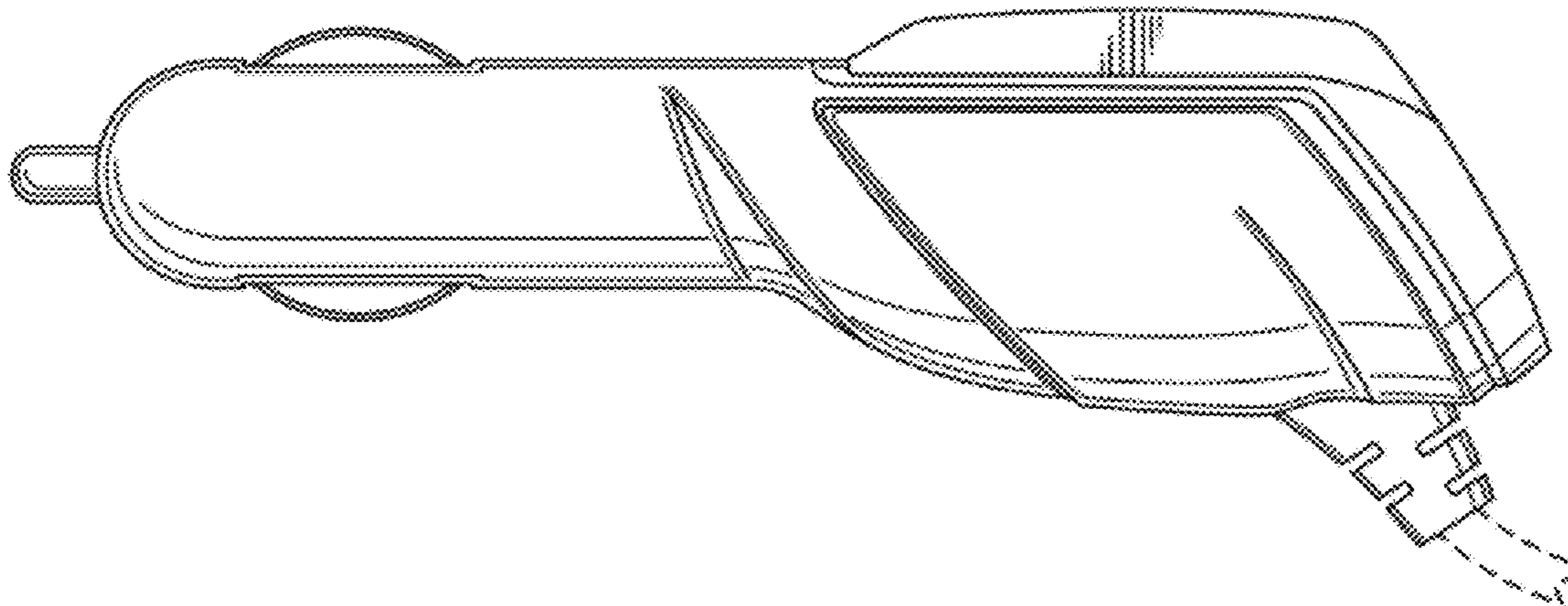


Fig. 4

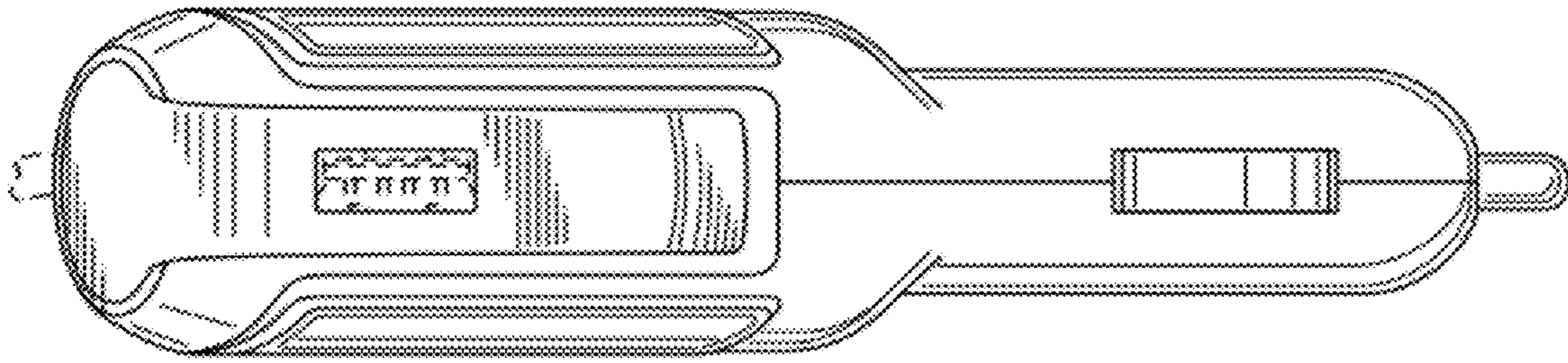


Fig. 5

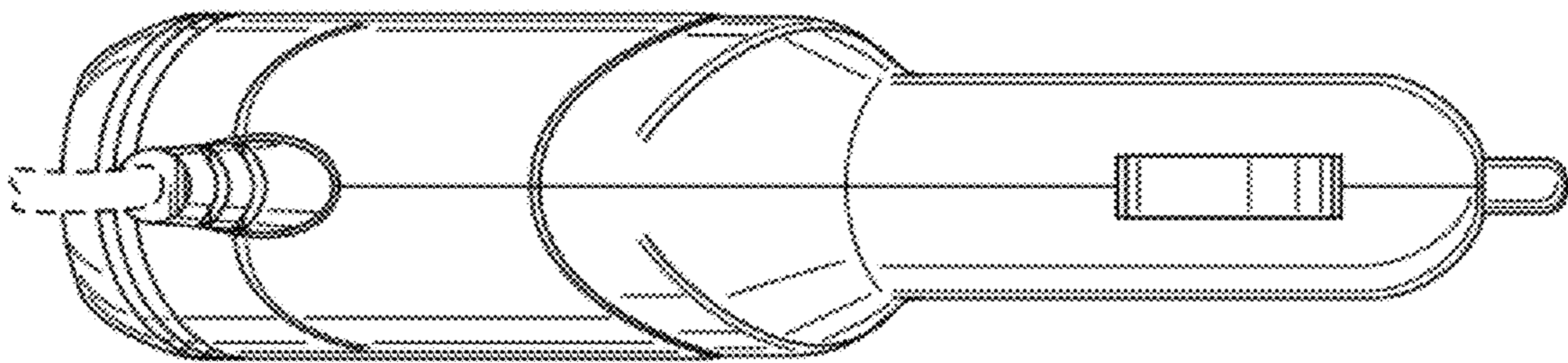


Fig. 6

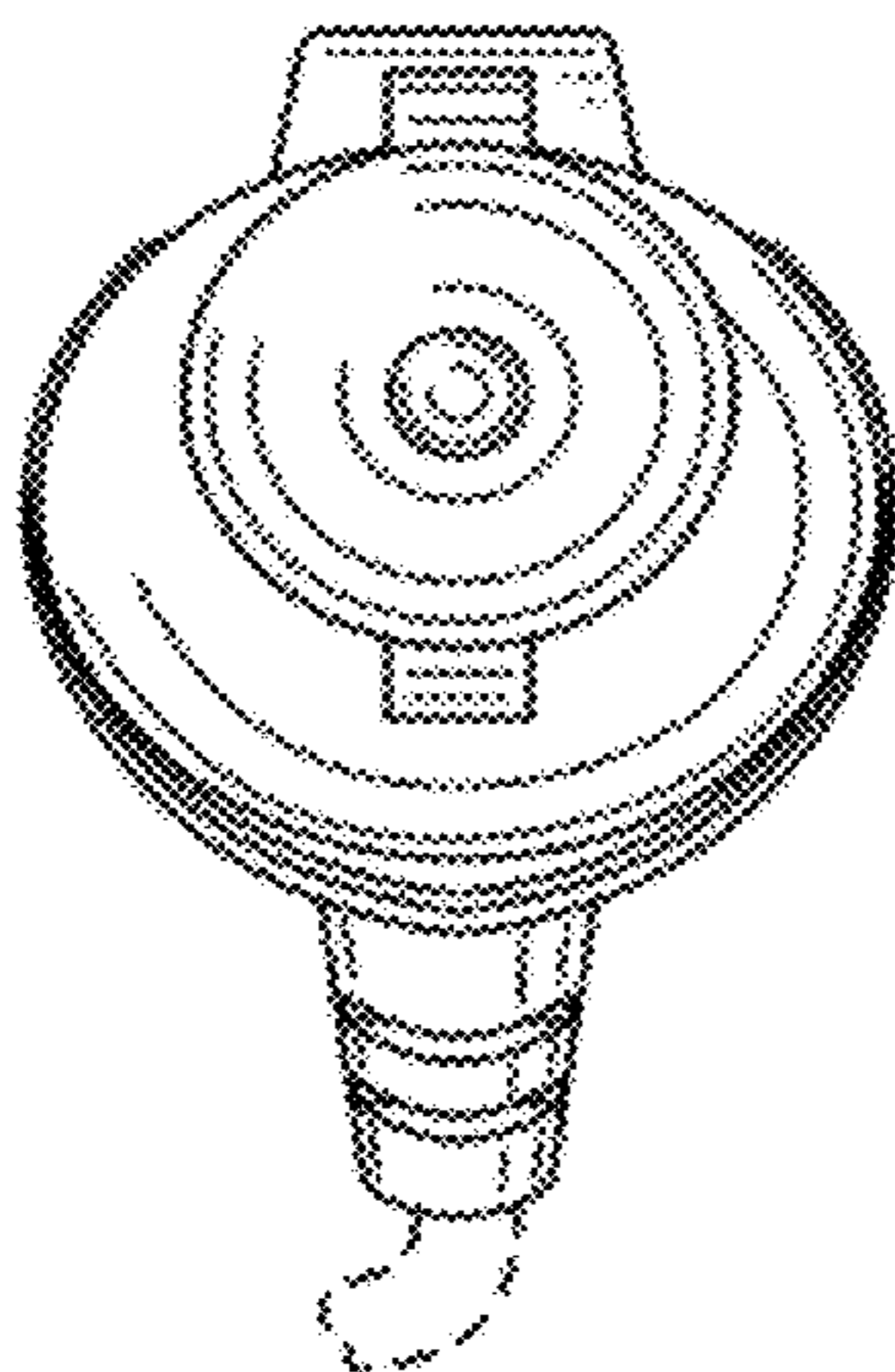


Fig. 7

