



US00D656897S

(12) **United States Design Patent**  
**Trine et al.**

(10) **Patent No.:** **US D656,897 S**

(45) **Date of Patent:** **\*\* Apr. 3, 2012**

(54) **STACKABLE INVERTER GENERATOR**

*Primary Examiner* — Derrick Holland

(75) Inventors: **Dennis Trine**, Santa Fe Springs, CA (US); **Lei Zhao**, Arcadia, CA (US)

(74) *Attorney, Agent, or Firm* — Stetina Brunda Garred & Brucker; Lowell Anderson

(73) Assignee: **Champion Power Equipment, Inc.**, Santa Fe Springs, CA (US)

(57) **CLAIM**

The ornamental design for a stackable inverter generator, as shown and described.

(\*\*) Term: **14 Years**

(21) Appl. No.: **29/359,144**

(22) Filed: **Apr. 6, 2010**

(51) **LOC (9) Cl.** ..... **13-01**

(52) **U.S. Cl.** ..... **D13/116**

(58) **Field of Classification Search** ..... D13/116,  
D13/112, 114, 119, 122, 184, 199; 290/1 A,  
290/1 B; 307/64, 150, 151, 153  
See application file for complete search history.

**DESCRIPTION**

(56) **References Cited**

U.S. PATENT DOCUMENTS

D314,743 S *	2/1991	Ishii	.....	D13/116
D477,569 S *	7/2003	Iwatate et al.	.....	D13/116
D517,009 S *	3/2006	Xiao	.....	D13/116
D518,771 S *	4/2006	Xiao	.....	D13/116
D567,175 S *	4/2008	Knuteson et al.	.....	D13/112
7,432,606 B2	10/2008	Yamamoto et al.		
2006/0169238 A1 *	8/2006	Mazuka et al.	.....	123/179.18
2006/0214425 A1 *	9/2006	Yamamoto et al.	.....	290/1 A

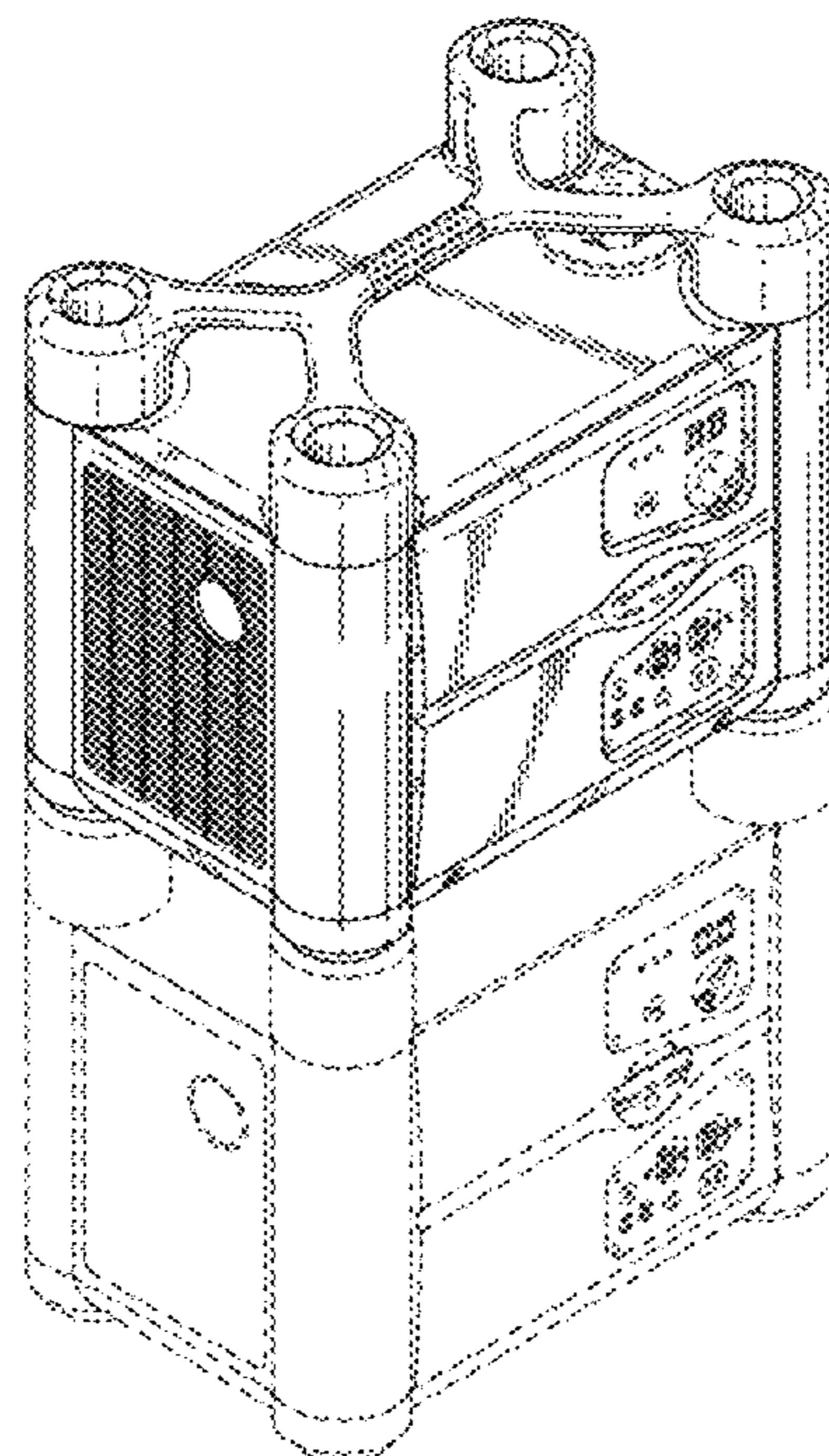
OTHER PUBLICATIONS

Reliance Parallel Cable Kit for Yamaha Generators (Yamaha parallel), Outdoor Gear Engine, 2008, p. 1 of 1.

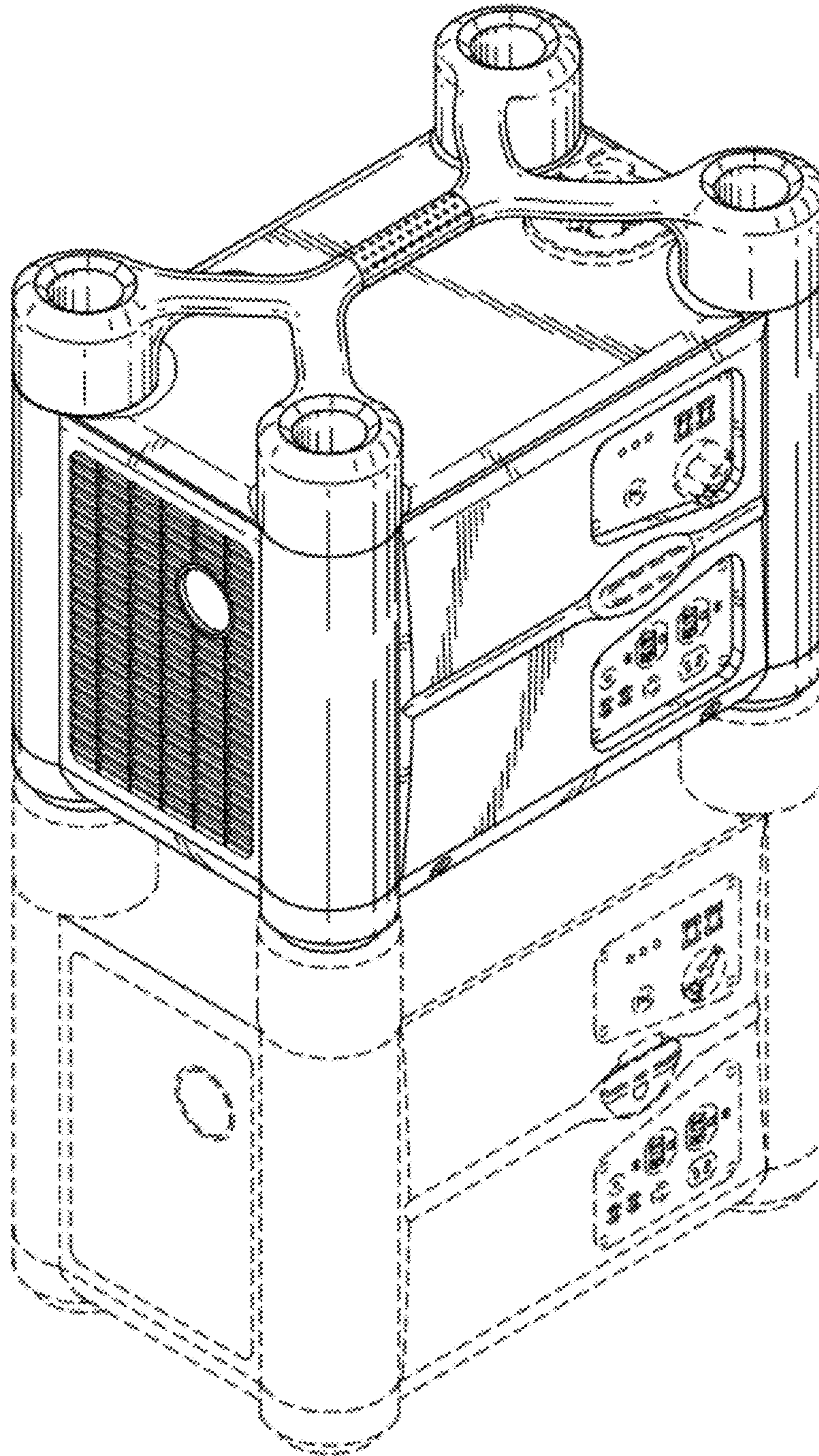
\* cited by examiner

FIG. 1 is a top perspective view of a first embodiment of a stackable inverter generator showing our new design;  
 FIG. 2 is a bottom perspective view thereof;  
 FIG. 3 is a top plan view thereof;  
 FIG. 4 is a front elevation view thereof;  
 FIG. 5 is a rear elevation view thereof;  
 FIG. 6 is a left side elevation view thereof;  
 FIG. 7 is a right side elevation view thereof;  
 FIG. 8 is a bottom plan view thereof;  
 FIG. 9 is a top perspective view of a second embodiment of a stackable inverter generator showing our new design;  
 FIG. 10 is a bottom perspective view thereof;  
 FIG. 11 is a top plan view thereof;  
 FIG. 12 is a front elevation view thereof;  
 FIG. 13 is a rear elevation view thereof;  
 FIG. 14 is a left side elevation view thereof;  
 FIG. 15 is a right side elevation view thereof; and,  
 FIG. 16 is a bottom plan view thereof.  
 The broken lines shown represent unclaimed subject matter and form no part of the claimed design.

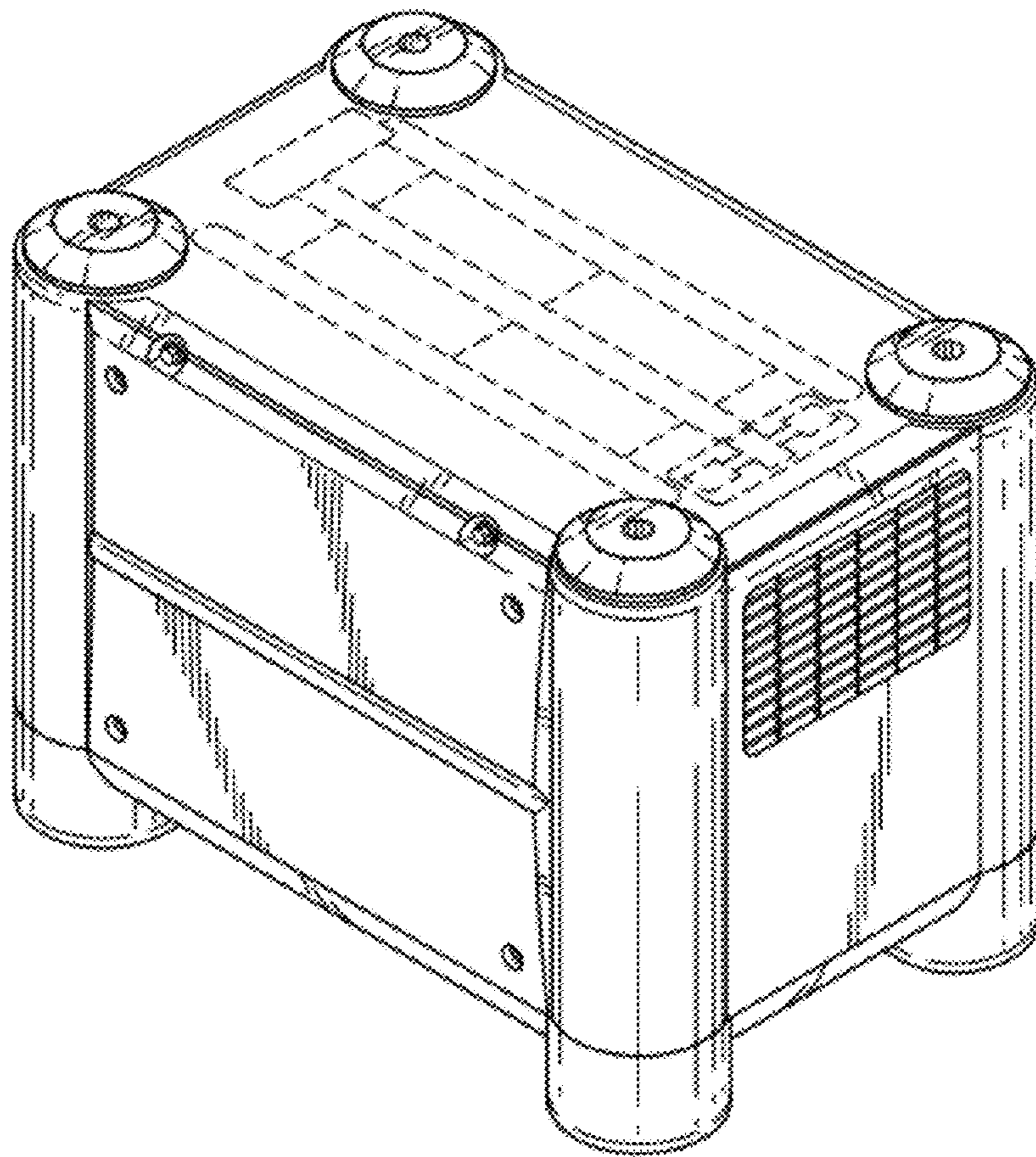
**1 Claim, 10 Drawing Sheets**



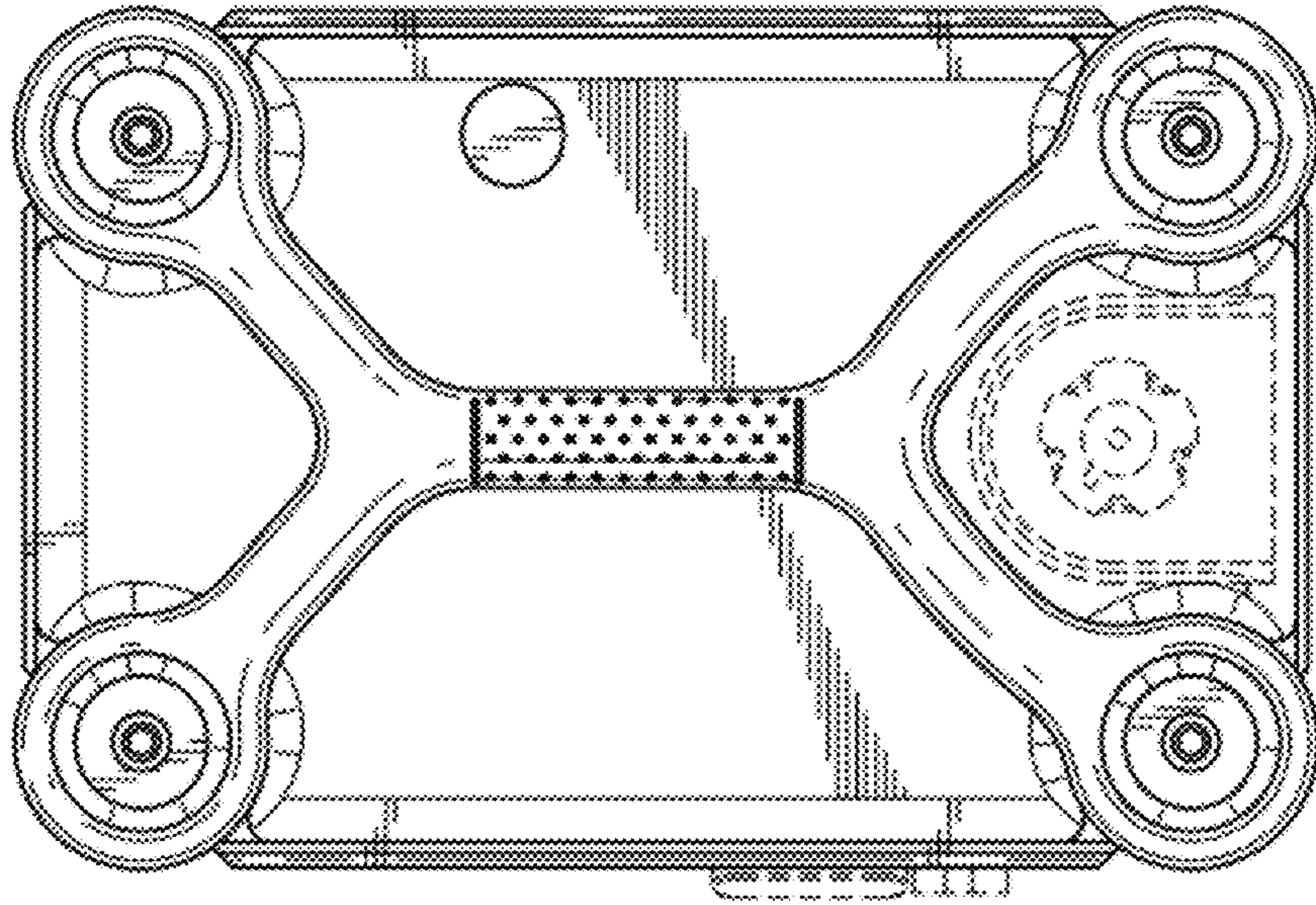
**FIG. 1**



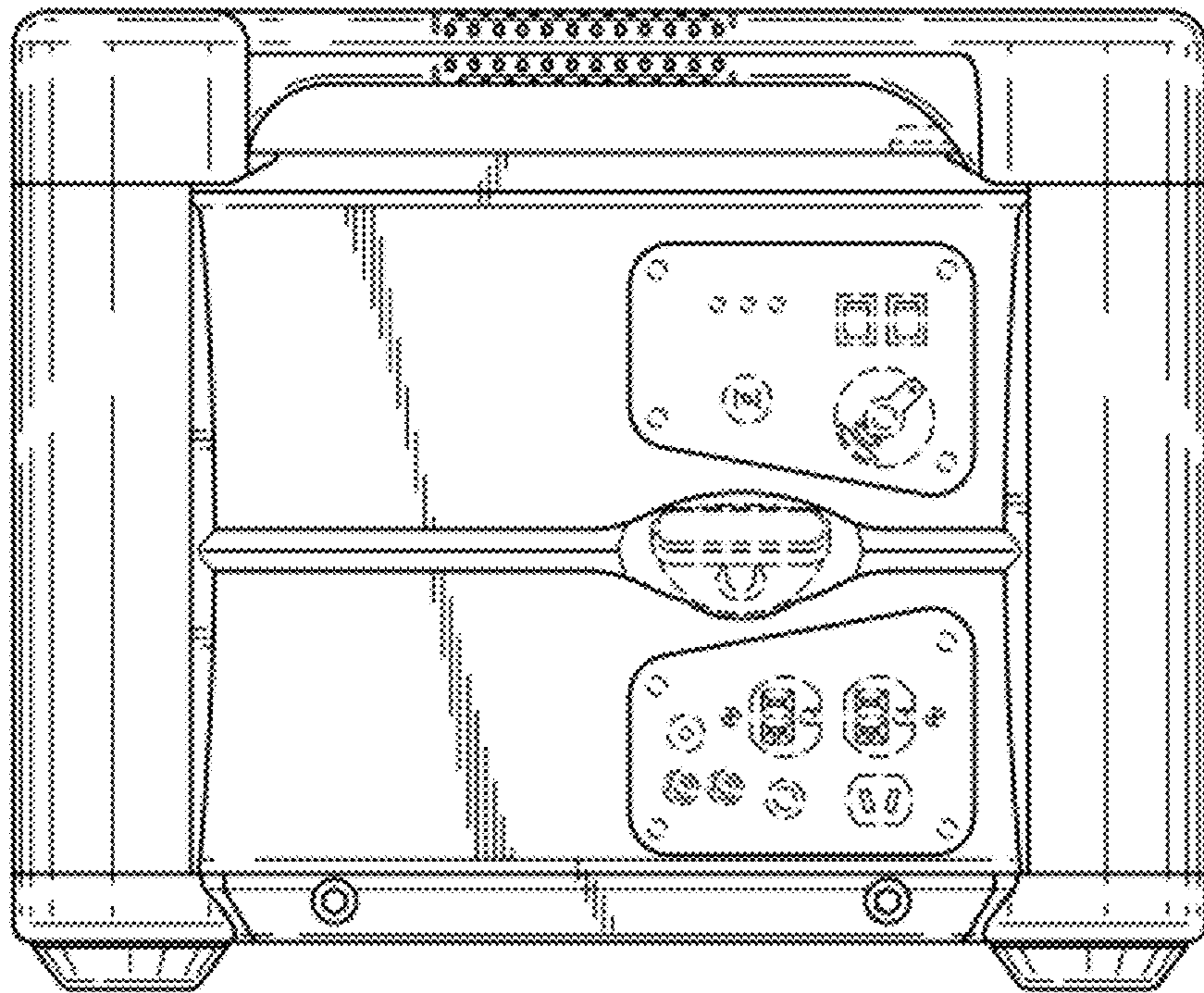
**FIG. 2**



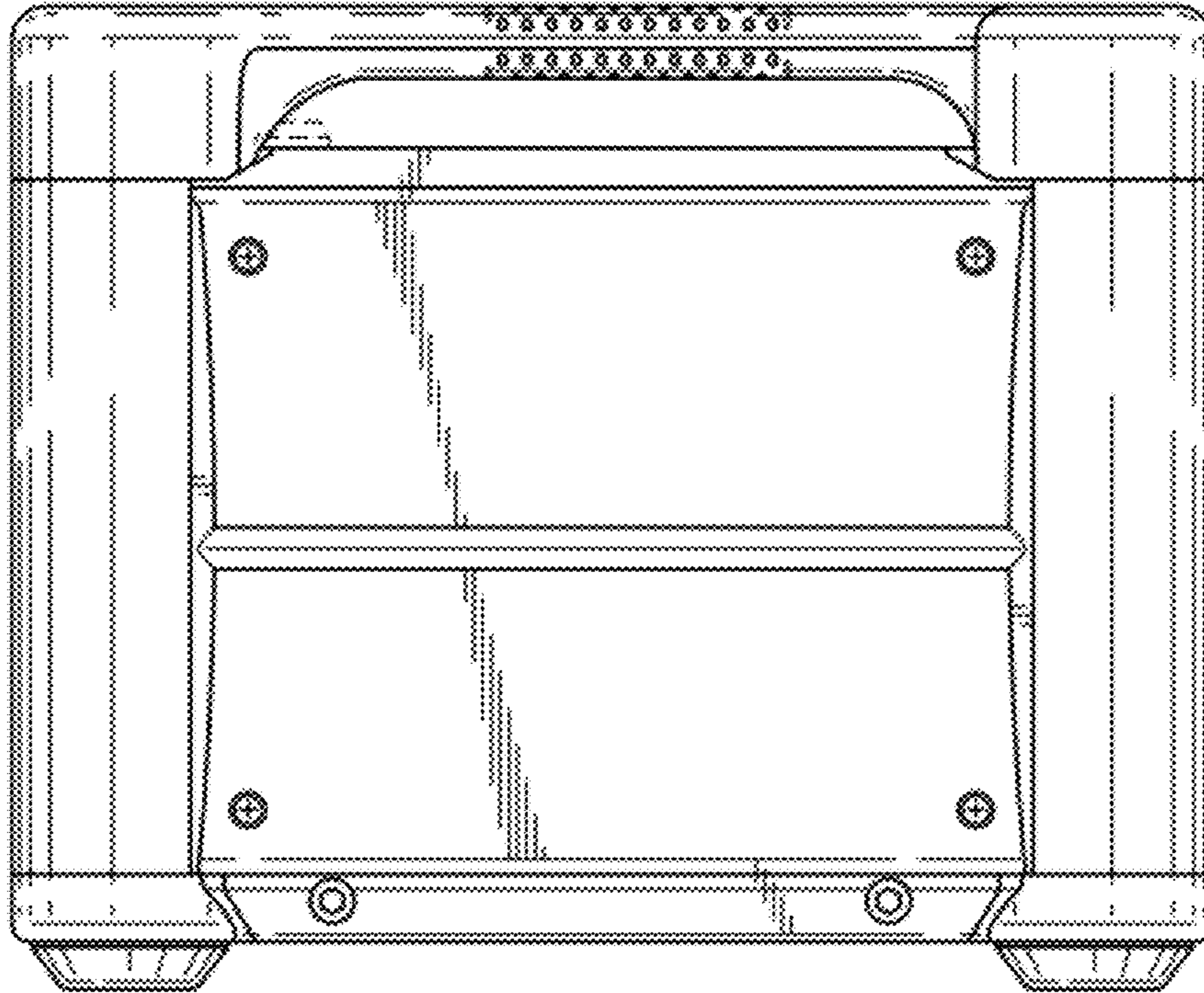
**FIG. 3**



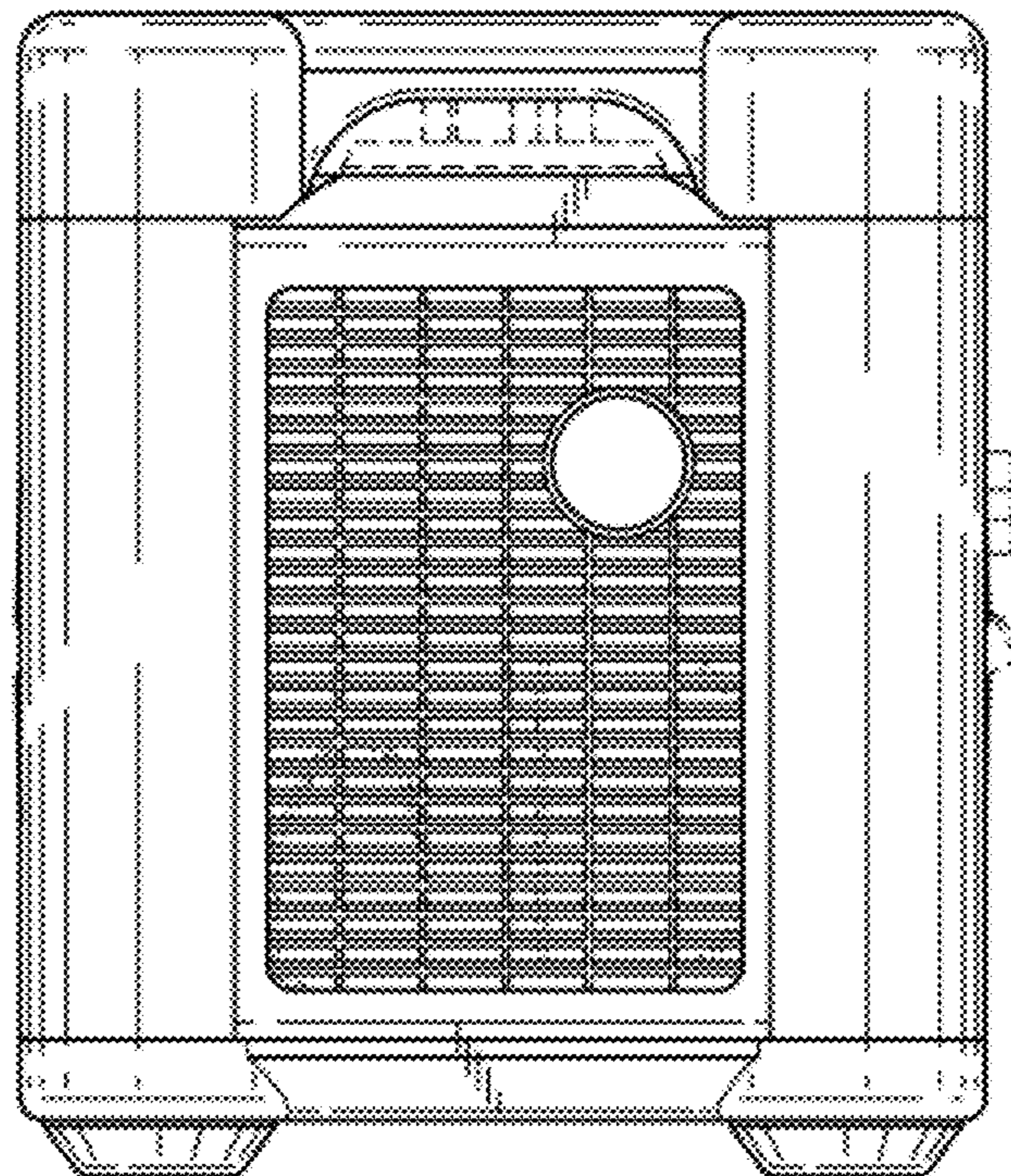
**FIG. 4**



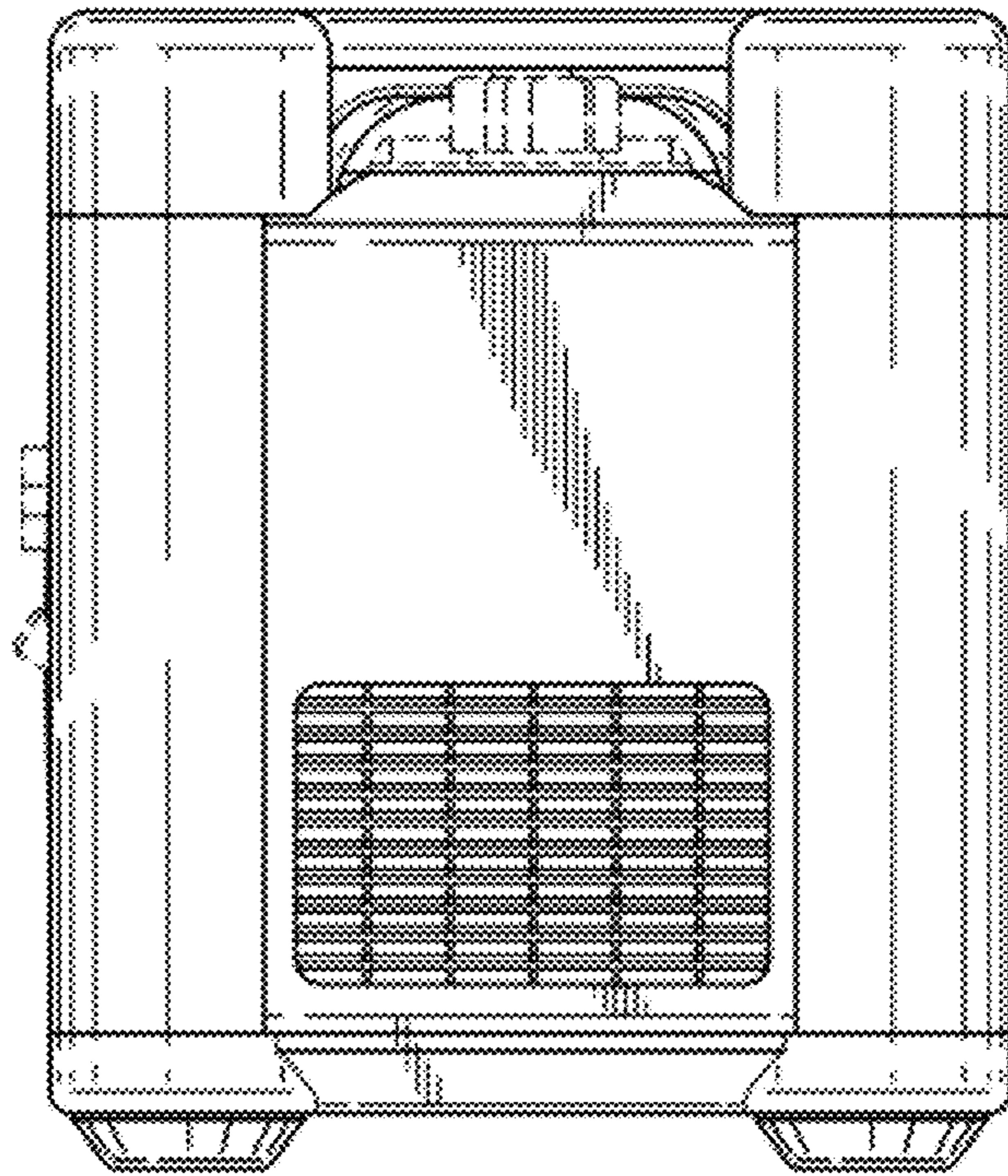
**FIG. 5**



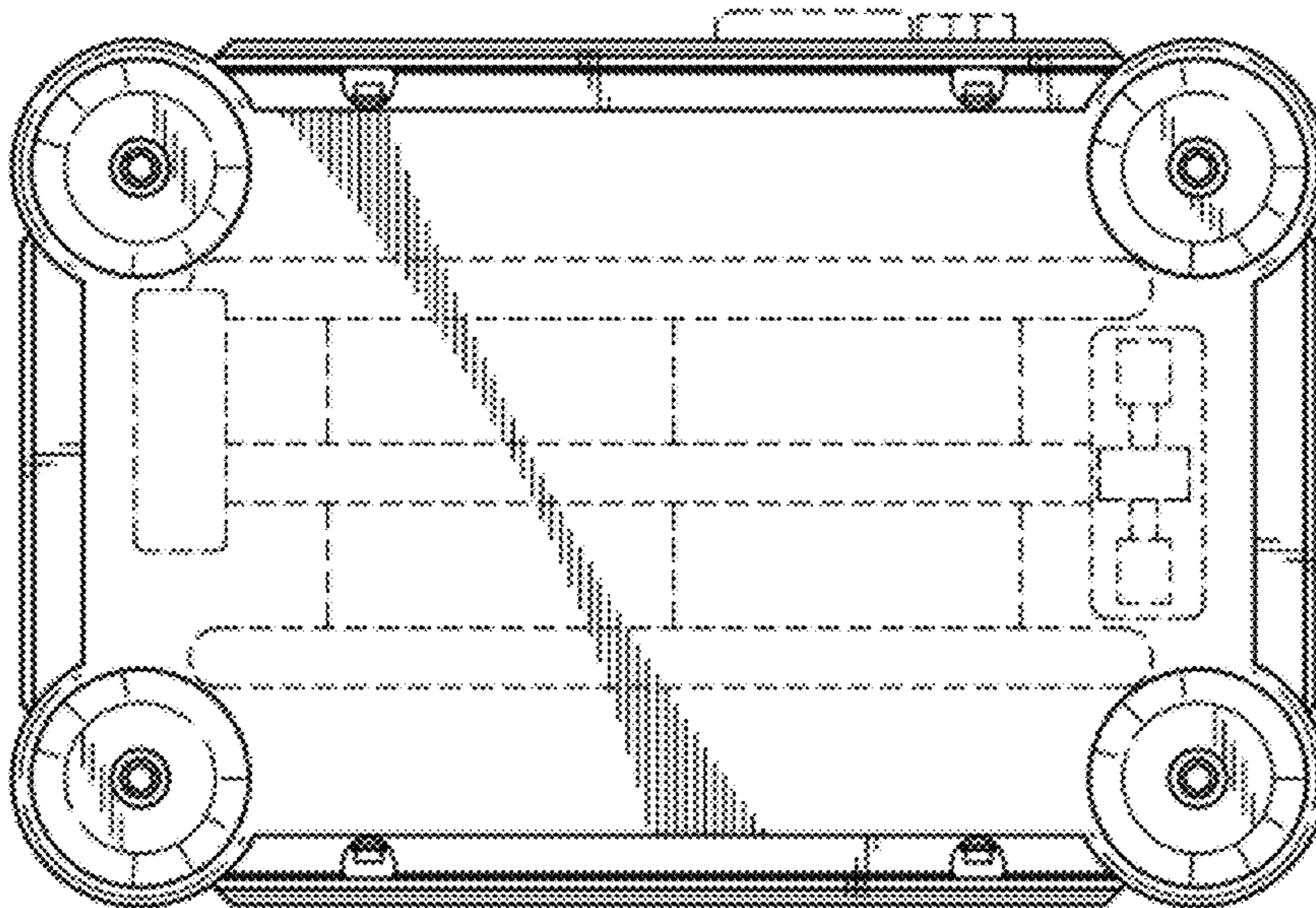
**FIG. 6**



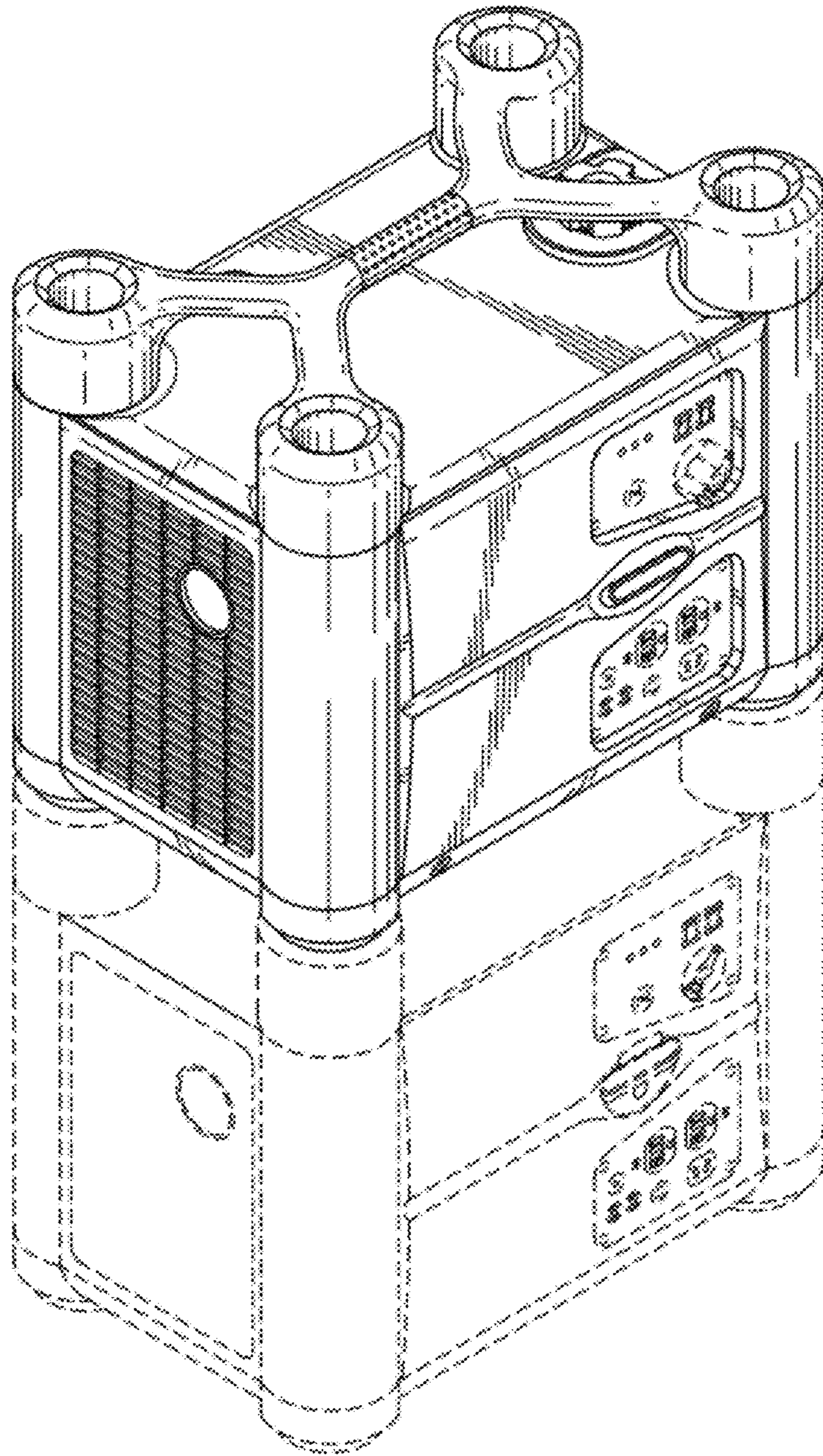
**FIG. 7**



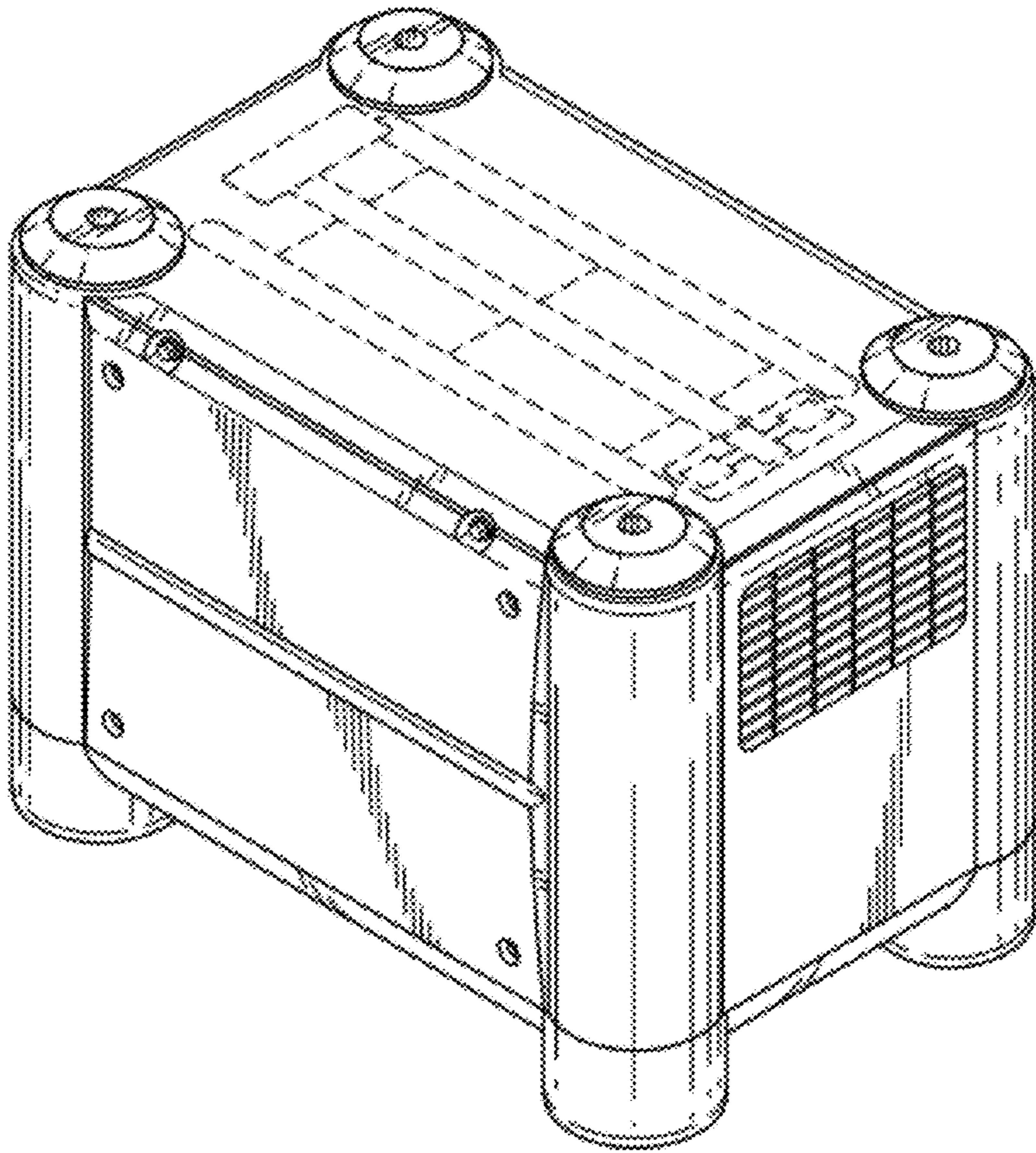
**FIG. 8**



**FIG. 9**

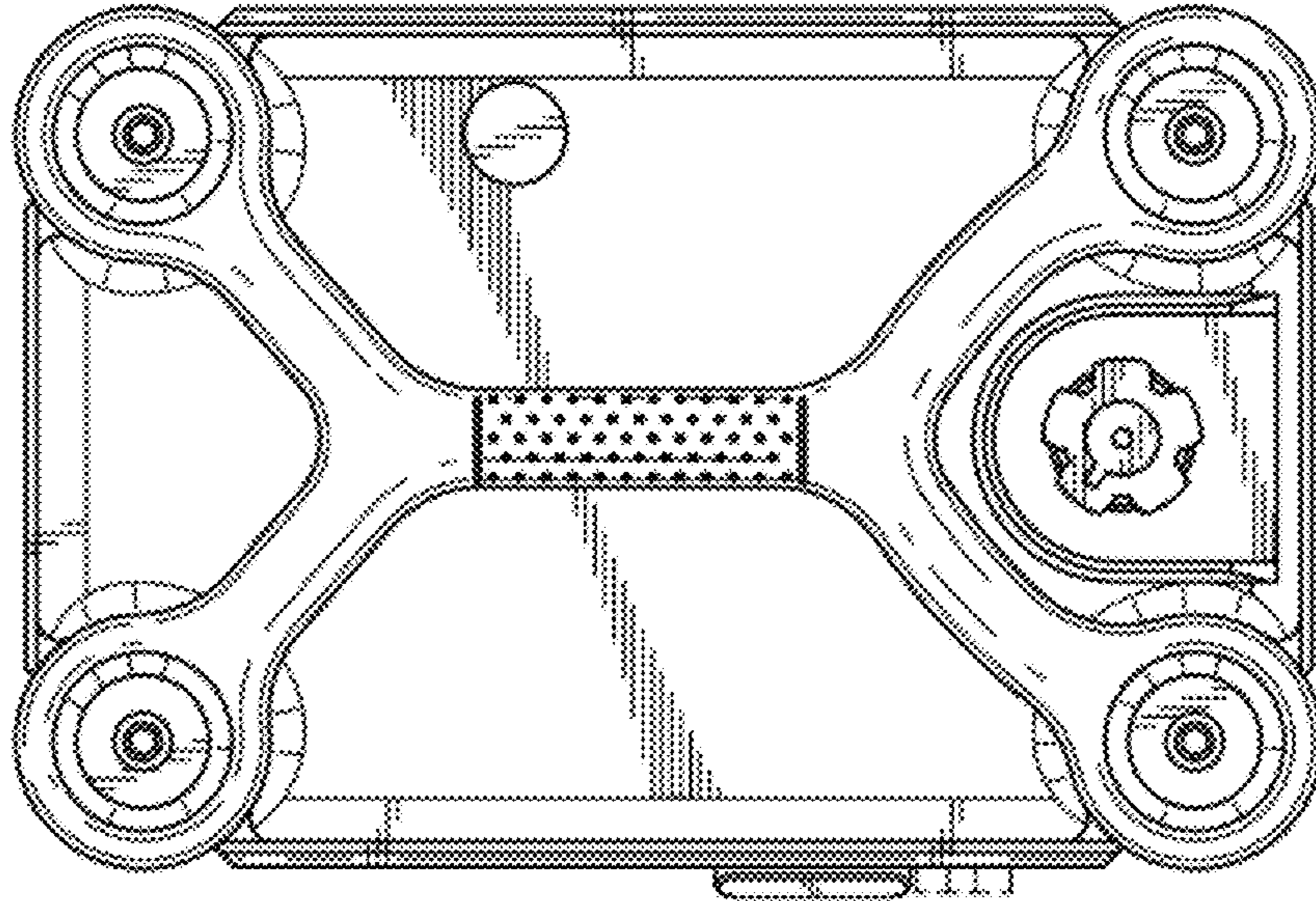


**FIG. 10**

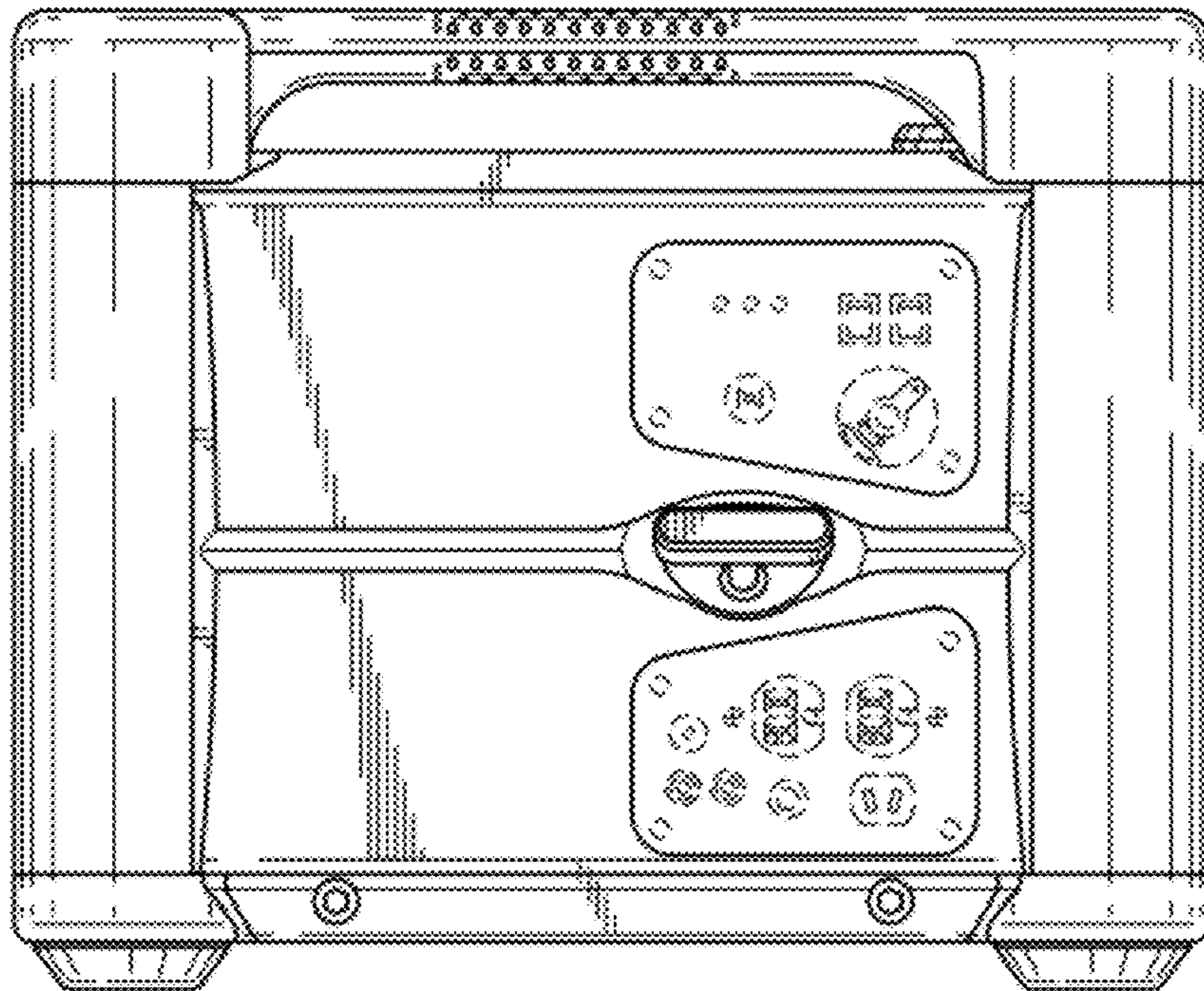




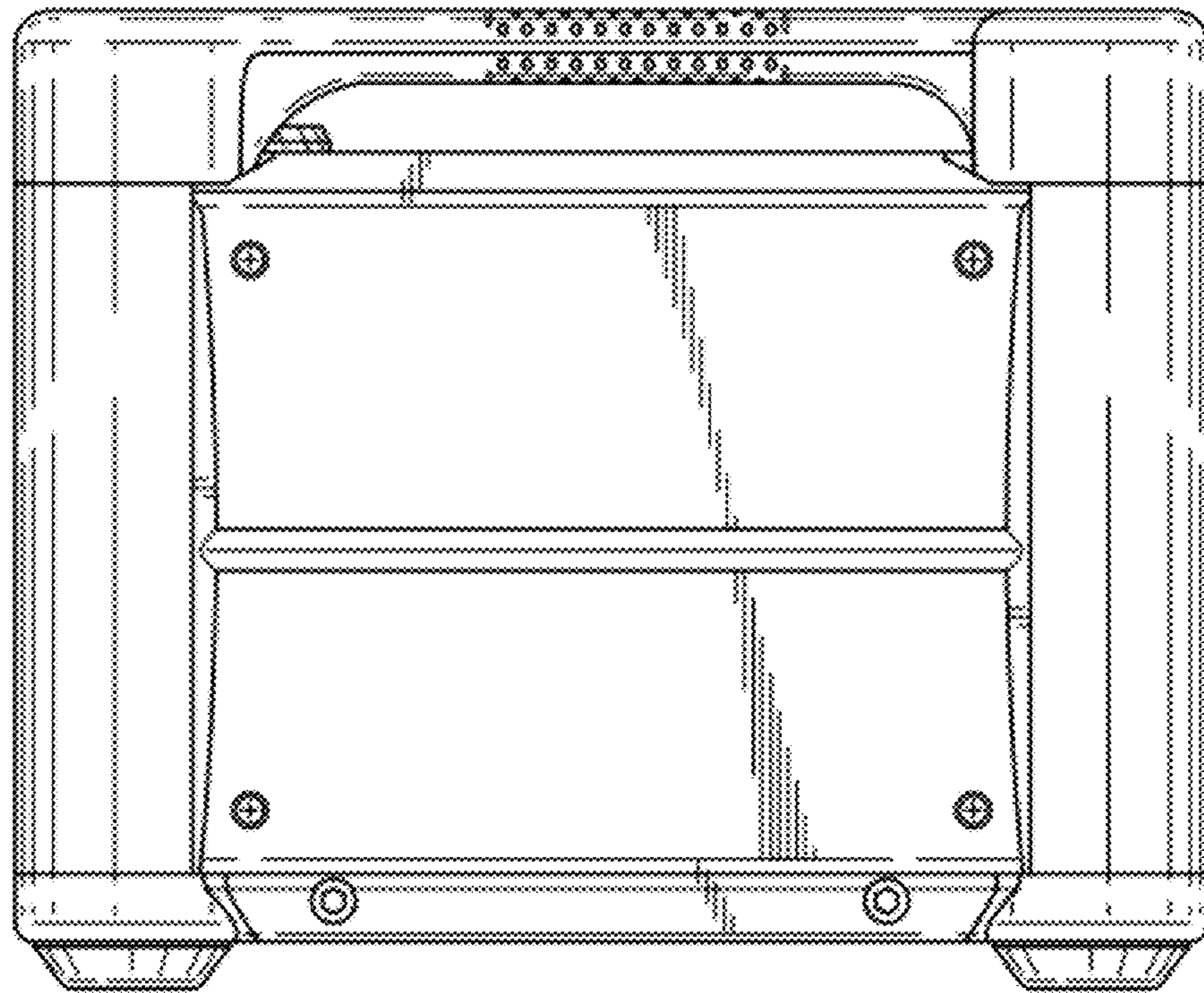
**FIG. 11**



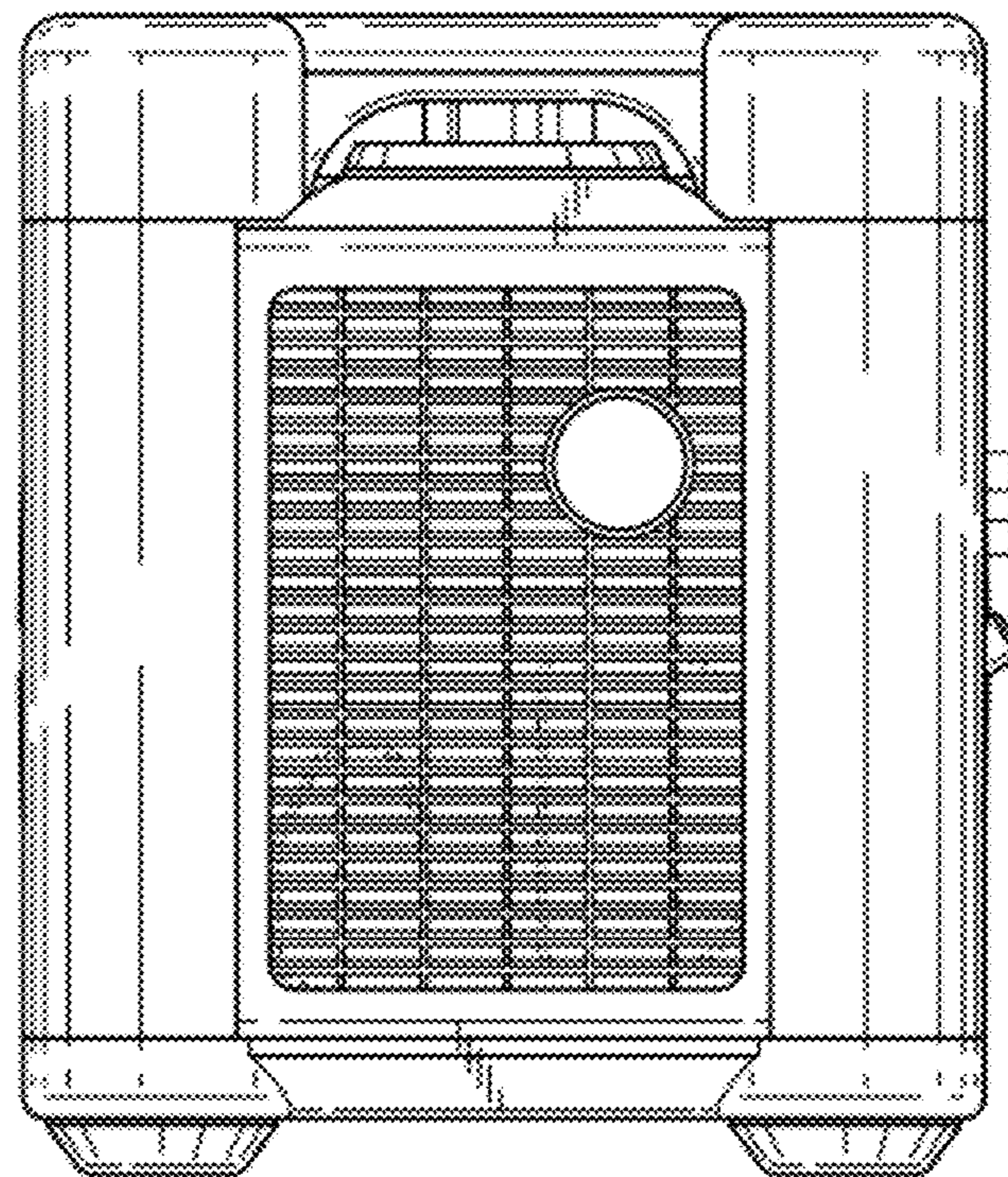
**FIG. 12**



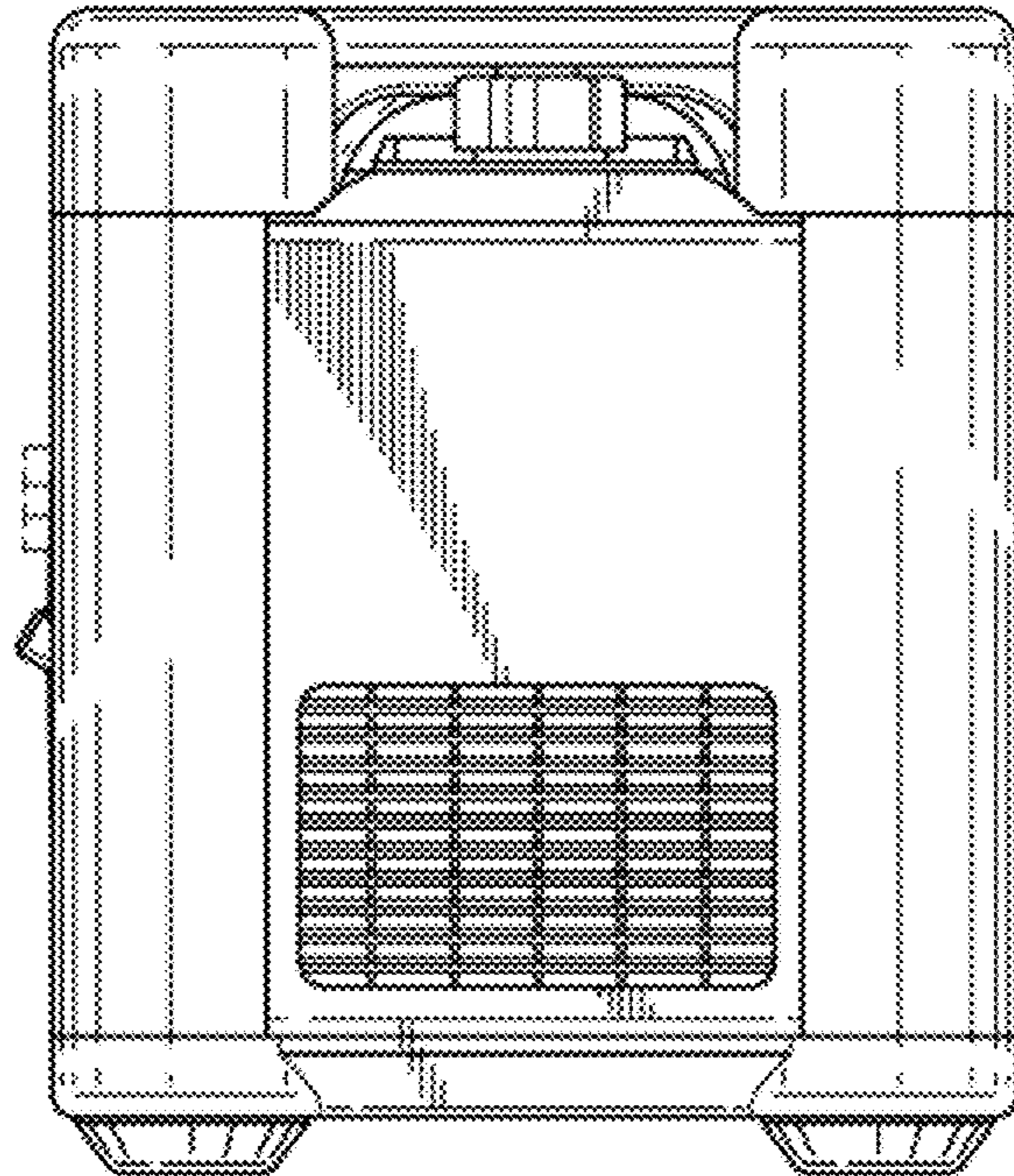
**FIG. 13**



**FIG. 14**



**FIG. 15**



**FIG. 16**

