



US00D656896S

(12) **United States Design Patent**  
**Fung**

(10) **Patent No.:** **US D656,896 S**

(45) **Date of Patent:** **\*\* Apr. 3, 2012**

(54) **FLAT VEHICLE POWER ADAPTER**

(75) **Inventor:** **Sin Yee Fung**, Hong Kong (CN)

(73) **Assignee:** **Ever Win International Corporation**,  
City of Industry, CA (US)

(\*\*) **Term:** **14 Years**

(21) **Appl. No.:** **29/368,524**

(22) **Filed:** **Aug. 25, 2010**

(51) **LOC (9) Cl.** ..... **13-02**

(52) **U.S. Cl.** ..... **D13/110**

(58) **Field of Classification Search** ..... D13/110,  
D13/107, 108, 123, 133, 137.1, 199; 174/53,  
174/54, 59, 61; 307/150, 151; 320/111,  
320/114; 363/140, 142, 143, 146; 439/105,  
439/166, 171-173, 218, 518, 692, 956  
See application file for complete search history.

(56) **References Cited**

**U.S. PATENT DOCUMENTS**

5,019,767 A \* 5/1991 Shirai et al. .... 320/112  
5,159,545 A \* 10/1992 Lee ..... 363/146

D383,115 S \* 9/1997 Nagele et al. .... D13/110  
D484,853 S \* 1/2004 Alviar ..... D13/110  
D494,541 S \* 8/2004 Hriscu et al. .... D13/110  
D570,772 S \* 6/2008 Mahaffey et al. .... D13/110  
D601,961 S \* 10/2009 Mahaffey et al. .... D13/123

\* cited by examiner

*Primary Examiner* — Derrick Holland

(74) *Attorney, Agent, or Firm* — Joe Nieh

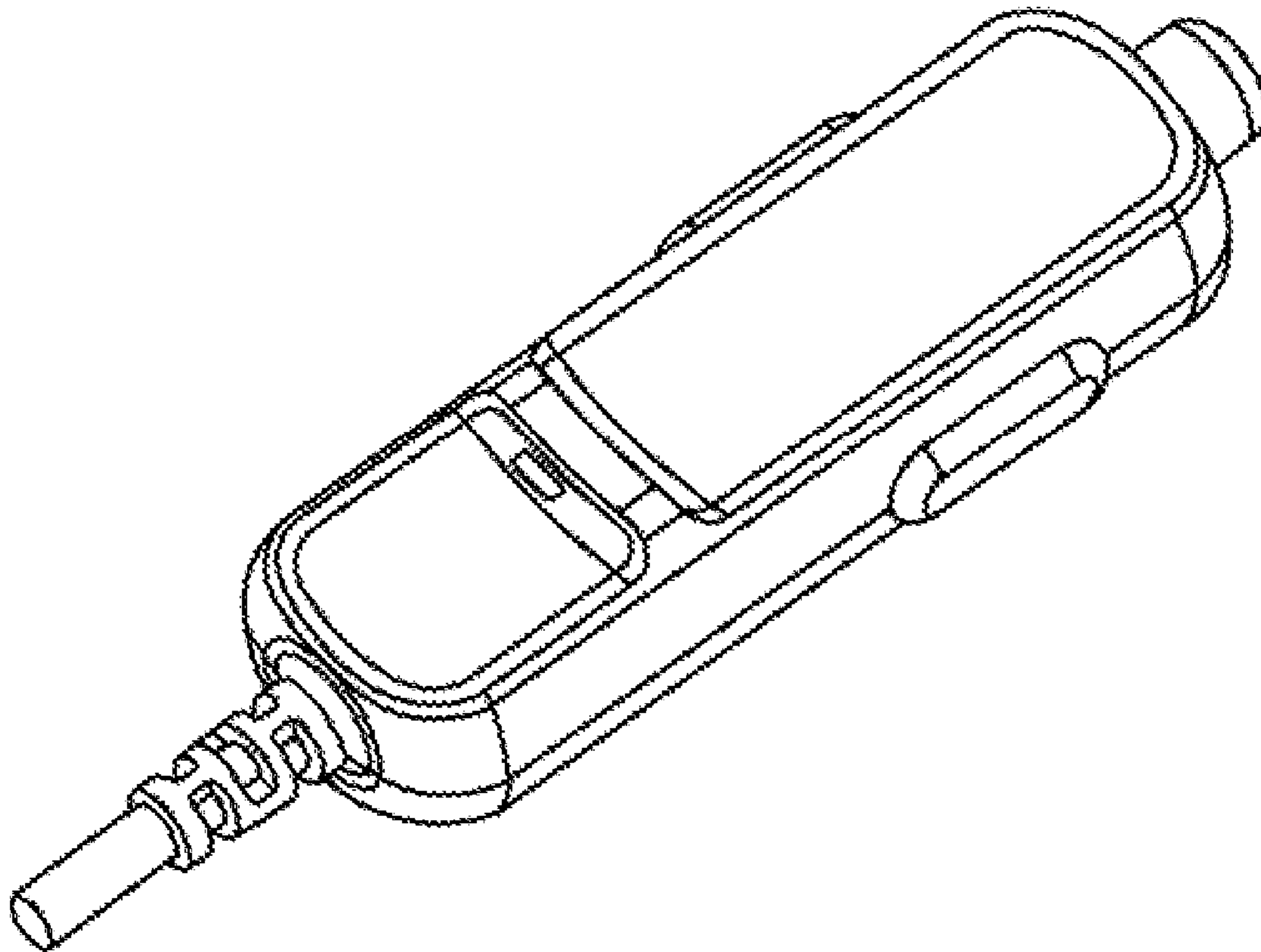
(57) **CLAIM**

The ornamental design for a flat vehicle power adapter, as shown and described.

**DESCRIPTION**

FIG. 1 is a front perspective view of a flat vehicle power adapter showing my new design;  
FIG. 2 is a rear perspective view thereof;  
FIG. 3 is a top plan view thereof;  
FIG. 4 is a front elevation view thereof;  
FIG. 5 is a bottom plan view thereof;  
FIG. 6 is a rear elevation view thereof;  
FIG. 7 is a left side elevation view thereof; and,  
FIG. 8 is a right side elevation view thereof.

**1 Claim, 2 Drawing Sheets**



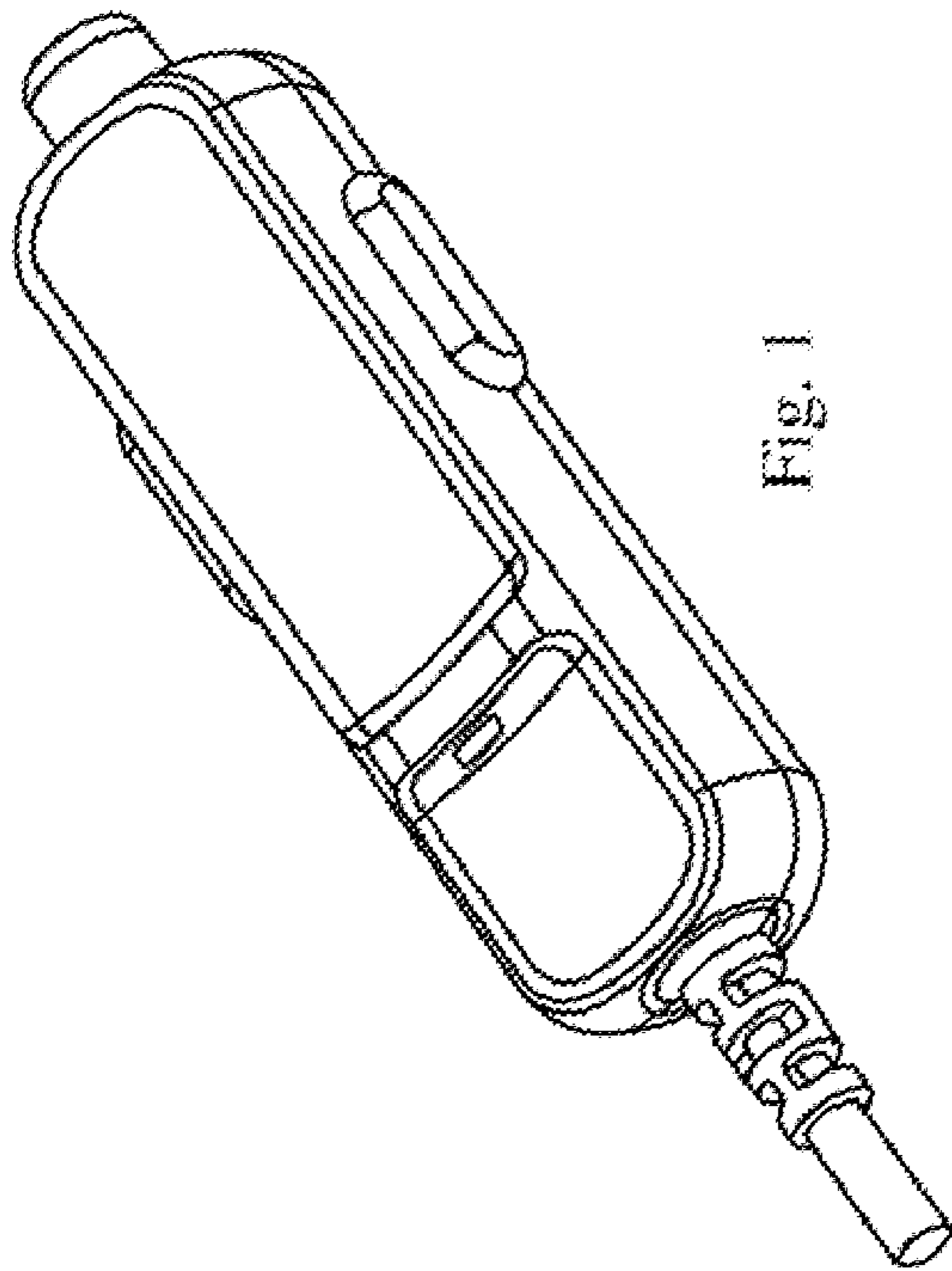


Fig. 1

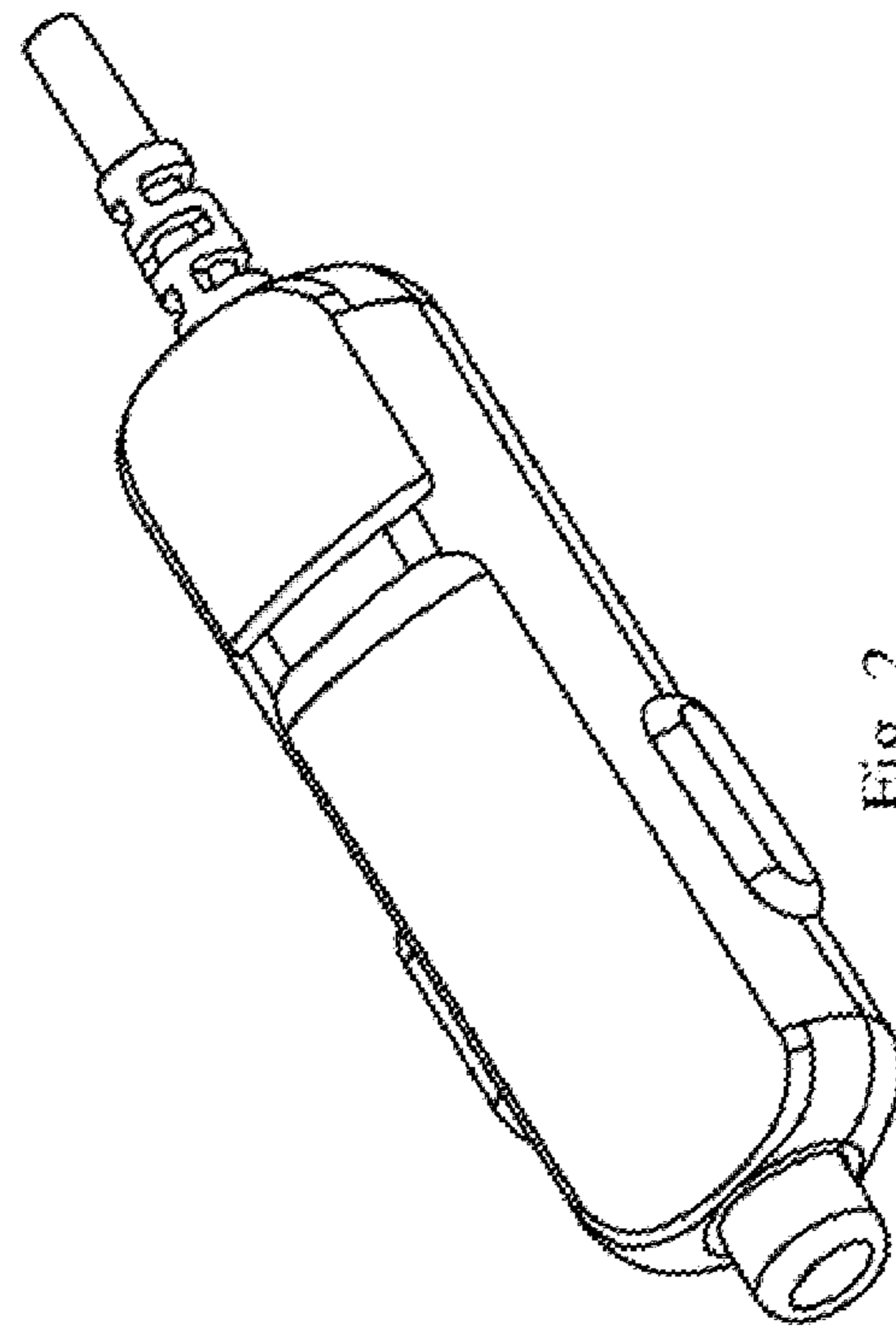


Fig. 2

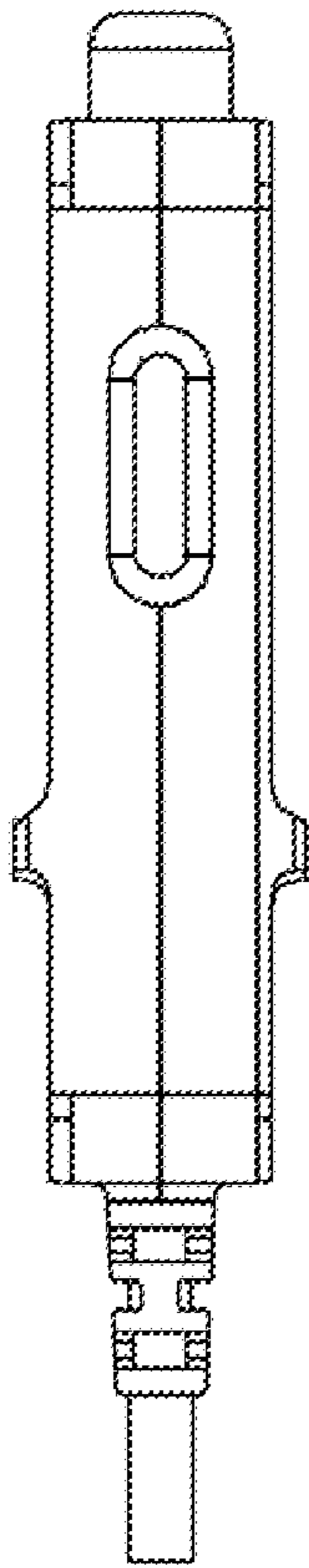


Fig. 3

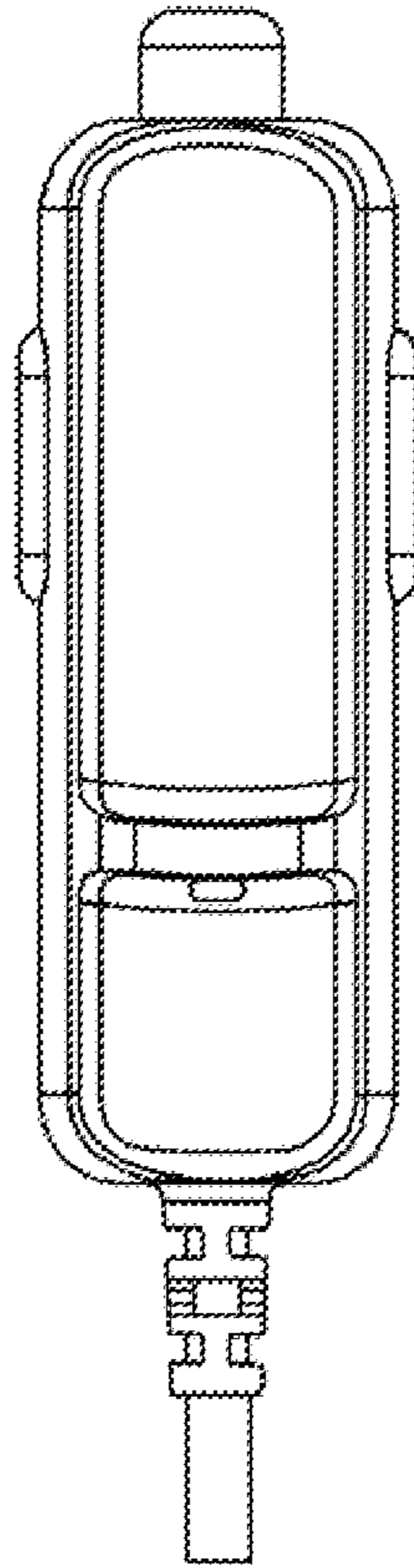


Fig. 4

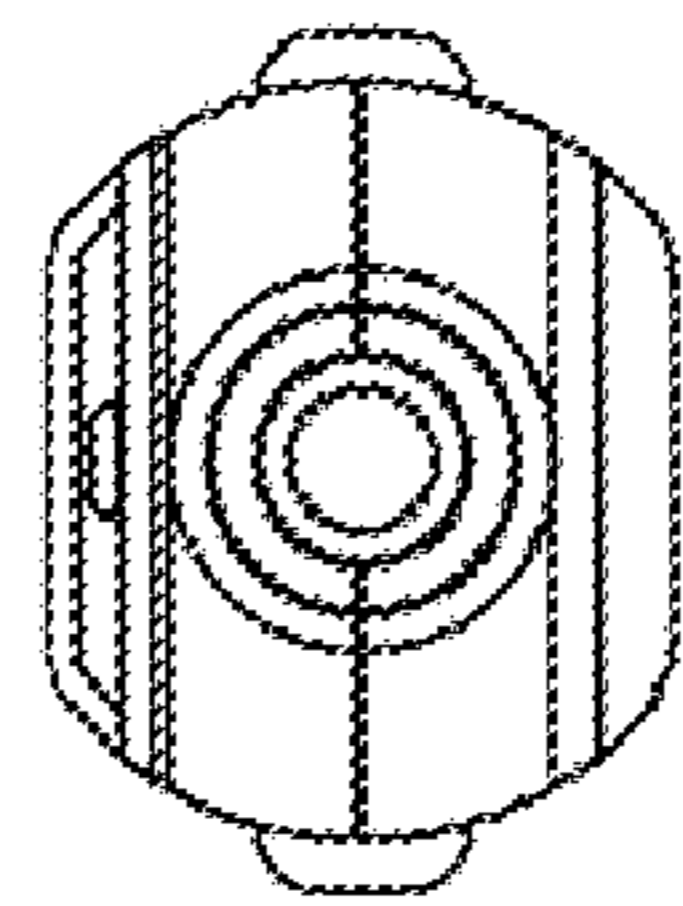


Fig. 7

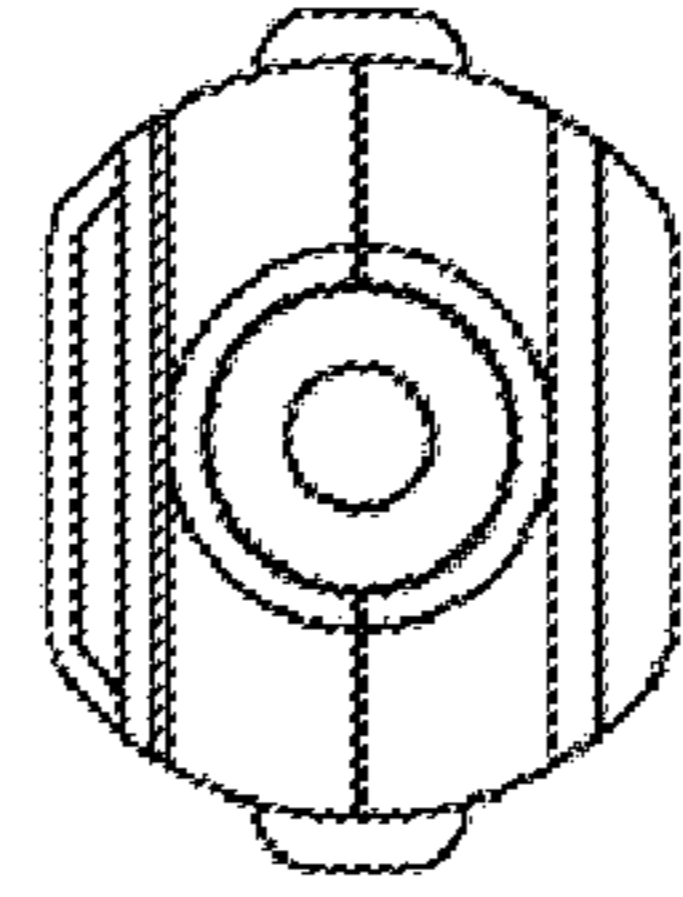


Fig. 8

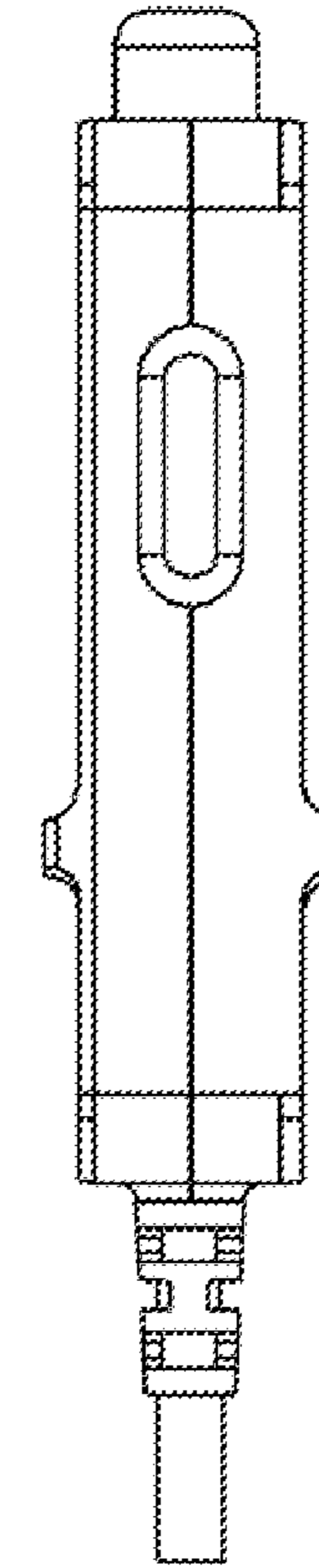


Fig. 5

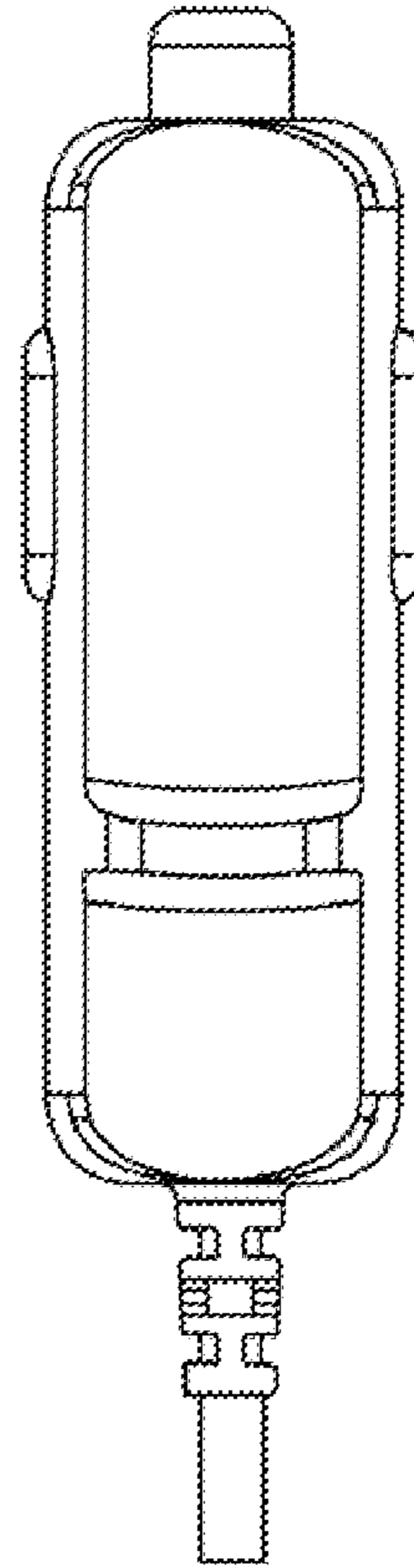


Fig. 6