



US00D656890S

(12) **United States Design Patent**
Rittweger

(10) **Patent No.:** **US D656,890 S**

(45) **Date of Patent:** **** Apr. 3, 2012**

(54) **TIRE TREAD OF A VEHICLE**

(75) Inventor: **Stefan Rittweger**, Hanover (DE)

(73) Assignee: **Continental Reifen Deutschland GmbH**, Hannover (DE)

(**) Term: **14 Years**

(21) Appl. No.: **29/377,815**

(22) Filed: **Oct. 26, 2010**

(30) **Foreign Application Priority Data**

May 6, 2010 (EP) 001704750

(51) **LOC (9) Cl.** **12-16**

(52) **U.S. Cl.** **D12/583**

(58) **Field of Classification Search** D12/582-585,
D12/592-598; 152/209.1-209.28

See application file for complete search history.

(56) **References Cited**

U.S. PATENT DOCUMENTS

6,050,313 A * 4/2000 Tsuda 152/209.18

D505,384 S * 5/2005 Kageyama D12/567

D516,014 S * 2/2006 Fukunaga D12/602
D585,815 S * 2/2009 Jeromin D12/582
D647,472 S * 10/2011 Rittweger D12/602

* cited by examiner

Primary Examiner — George D Kirschbaum

(74) *Attorney, Agent, or Firm* — Laurence A. Greenberg;
Werner H. Stemer; Ralph E. Locher

(57) **CLAIM**

The ornamental design for a tire tread of a vehicle, as shown and described.

DESCRIPTION

FIG. 1 is a perspective view of the vehicle tire, showing my new design;

FIG. 2 is a front elevational view thereof;

FIG. 3 is an enlarged partial front view thereof;

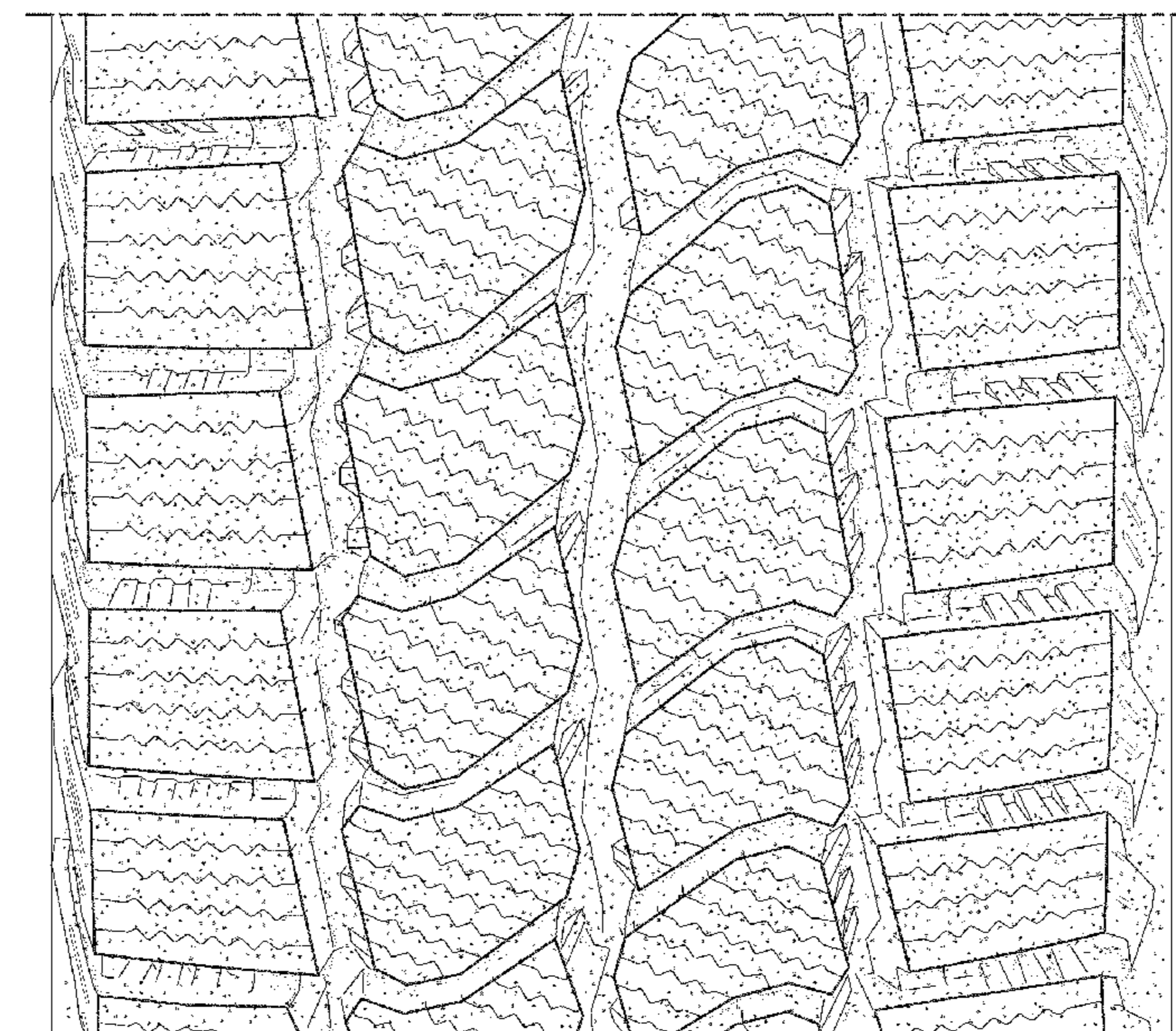
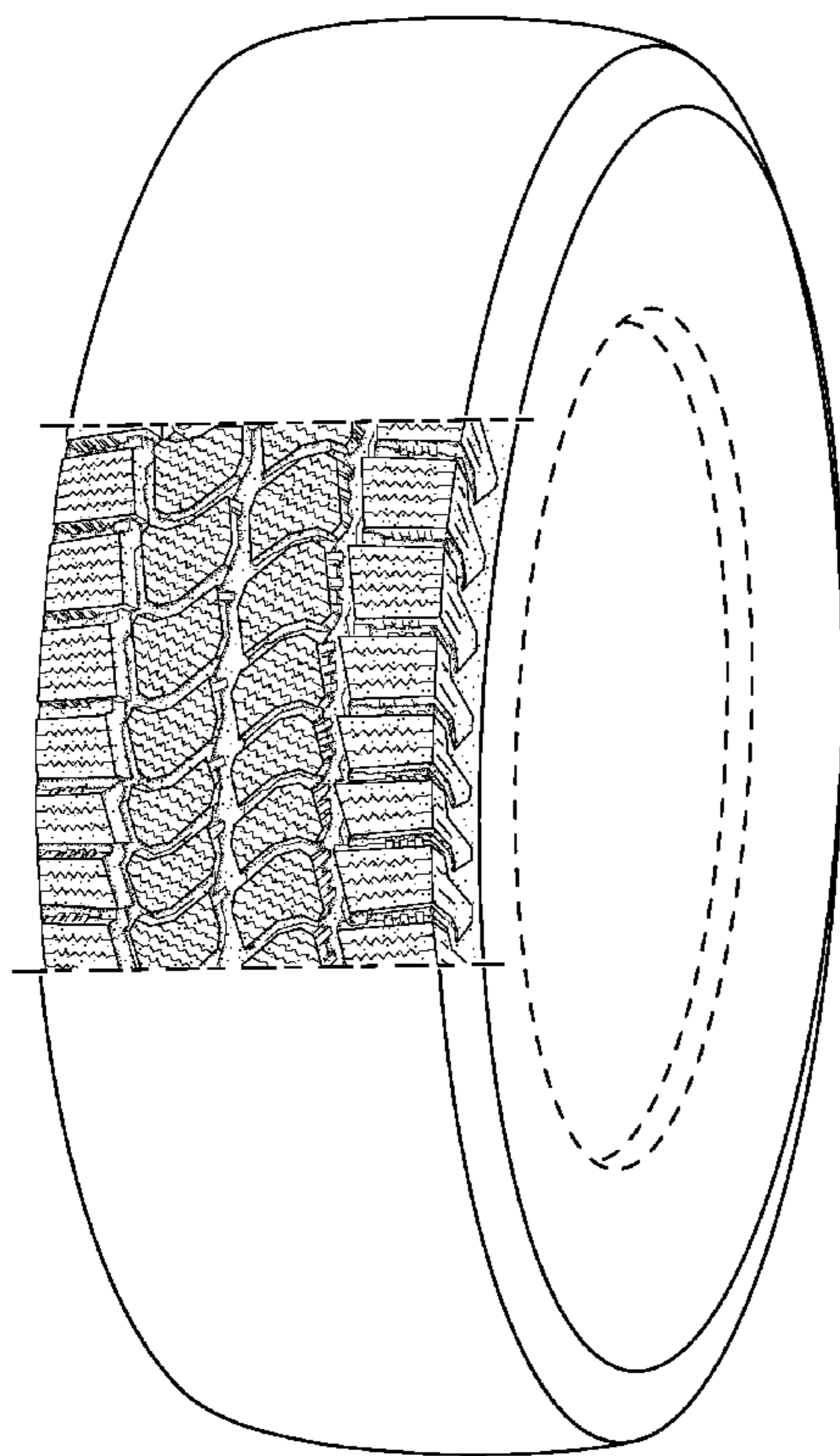
FIG. 4 is a left side elevational view thereof; and,

FIG. 5 is a right side elevational view thereof.

It is understood that the claimed tire tread pattern is intended to be applied to the entire surface of the tire, as indicated schematically in solid lines in the drawings.

In the drawings, the broken lines defining the sidewall, and inner bead depict environmental subject matter that forms no part of the claimed design.

1 Claim, 5 Drawing Sheets



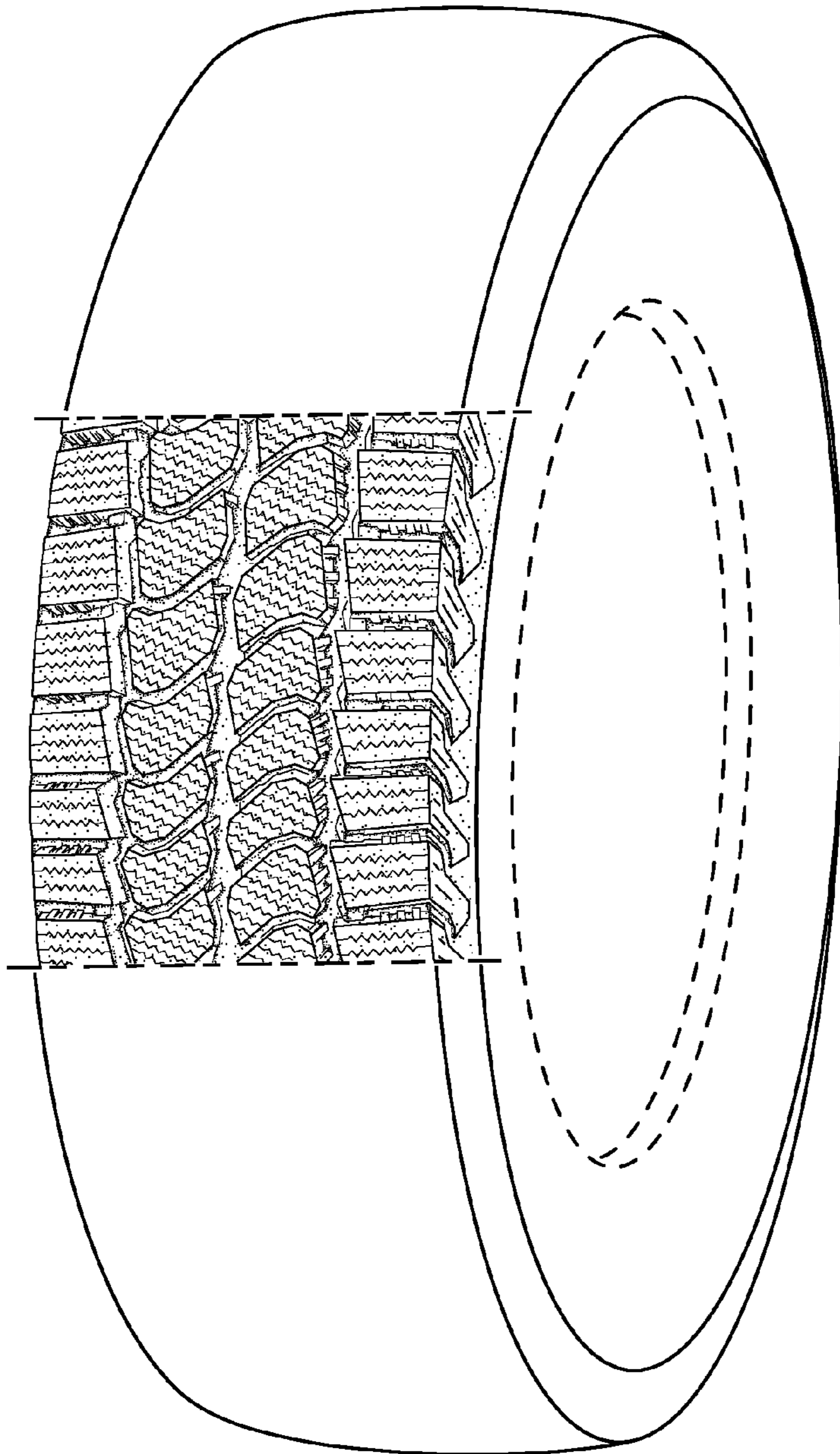


FIG. 1

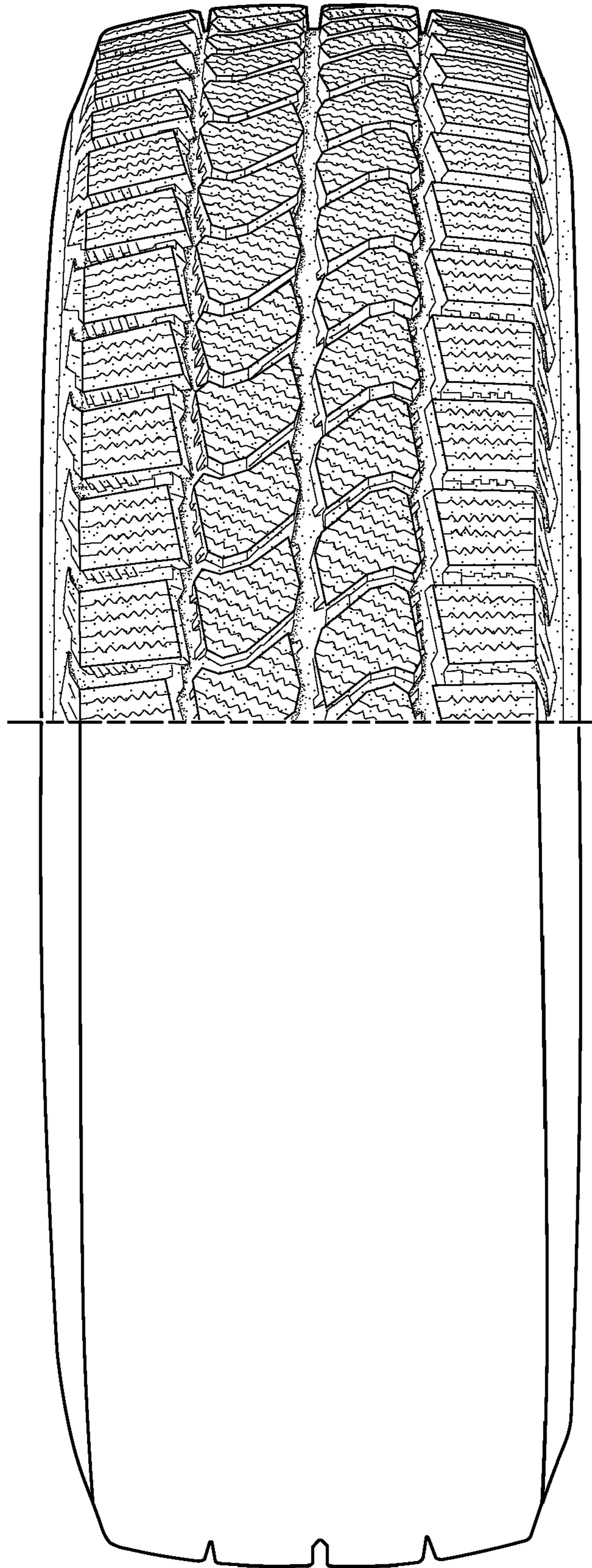


FIG. 2

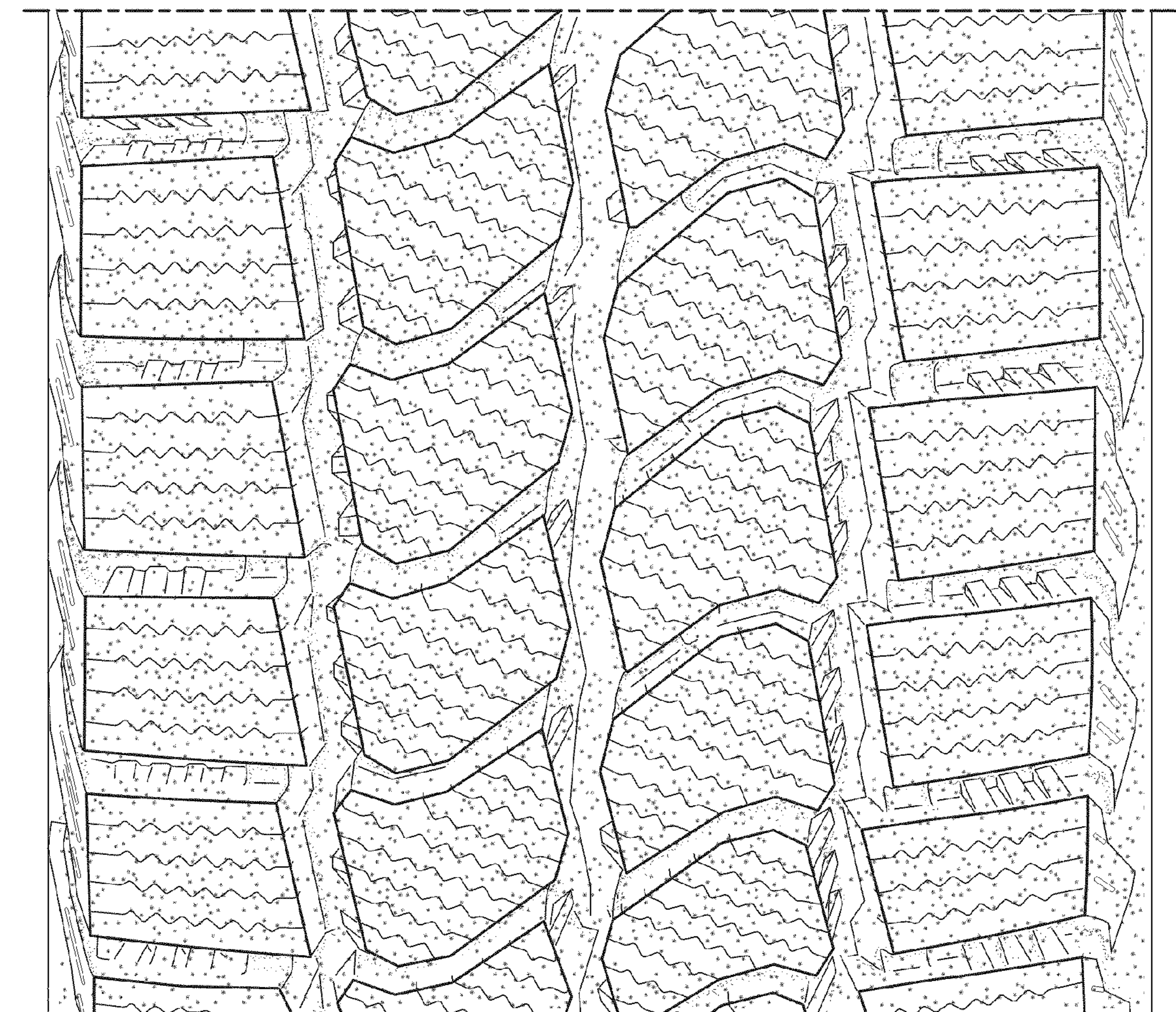


FIG. 3

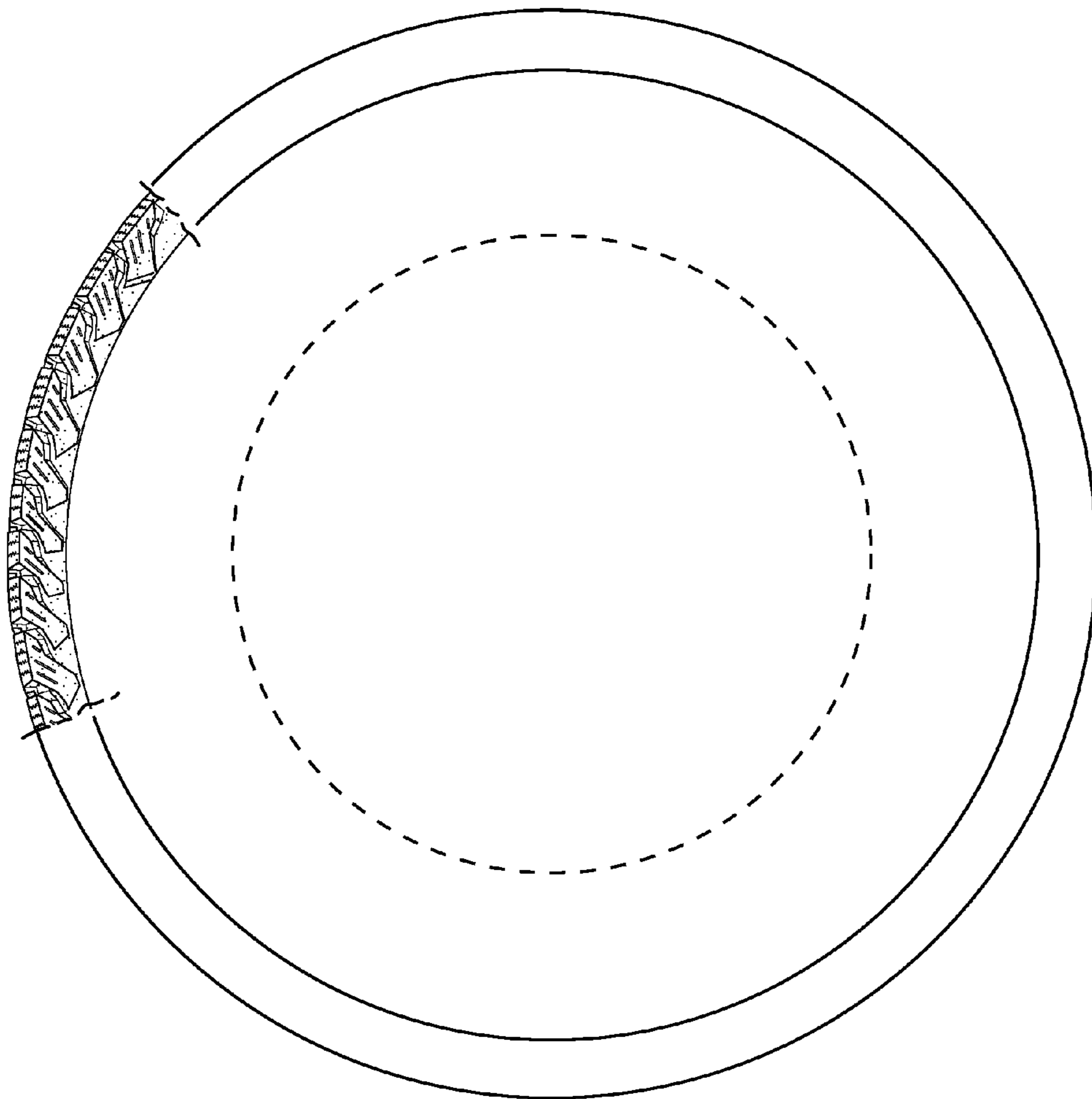


FIG. 4

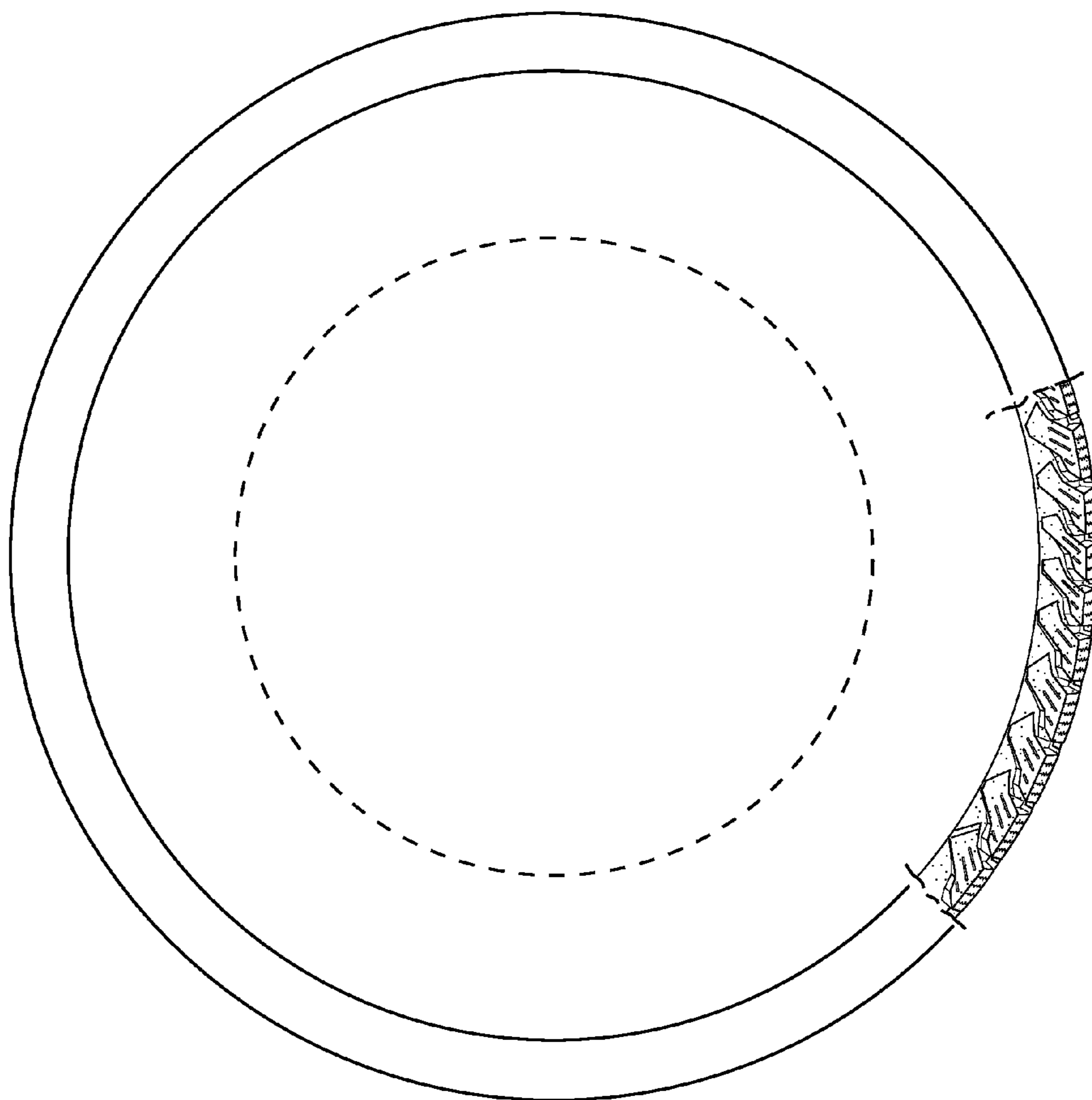


FIG. 5