



US00D656889S

(12) **United States Design Patent**
Grolier et al.

(10) **Patent No.:** **US D656,889 S**

(45) **Date of Patent:** **** Apr. 3, 2012**

(54) **PNEUMATIC TIRE**

(75) Inventors: **Nicolas Grolier**, Clermont-Ferrand (FR);
Thierry Chartier, St Beauzire (FR)

(73) Assignees: **Societe de Technologie Michelin**,
Clermont-Ferrand (FR); **Michelin**
Recherche et Technique S.A.,
Granges-Paccot (CH)

(**) Term: **14 Years**

(21) Appl. No.: **29/399,956**

(22) Filed: **Aug. 22, 2011**

(30) **Foreign Application Priority Data**

Feb. 21, 2011 (FR) 11/0959

(51) **LOC (9) Cl.** **12-15**

(52) **U.S. Cl.** **D12/527**

(58) **Field of Classification Search** D12/505-532,
D12/900-901; 152/209.1-209.28, 455
See application file for complete search history.

(56) **References Cited**

U.S. PATENT DOCUMENTS

D283,996 S * 5/1986 Kuramochi et al. D12/532
D312,062 S * 11/1990 Convert et al. D12/532
D525,187 S * 7/2006 Lee et al. D12/527

D602,421 S * 10/2009 Hutz D12/531
D611,890 S * 3/2010 Lessmann D12/527
D644,982 S * 9/2011 Lee D12/527
D645,392 S * 9/2011 Hutz et al. D12/532
D647,459 S * 10/2011 Bervas et al. D12/532

* cited by examiner

Primary Examiner — Stacia Cadmus

(74) *Attorney, Agent, or Firm* — Buchanan Ingersoll &
Rooney PC

(57) **CLAIM**

The ornamental design for a pneumatic tire, as shown and described.

DESCRIPTION

FIG. 1 is a front perspective view of a pneumatic tire showing our new design.

FIG. 2 is a front elevational view thereof.

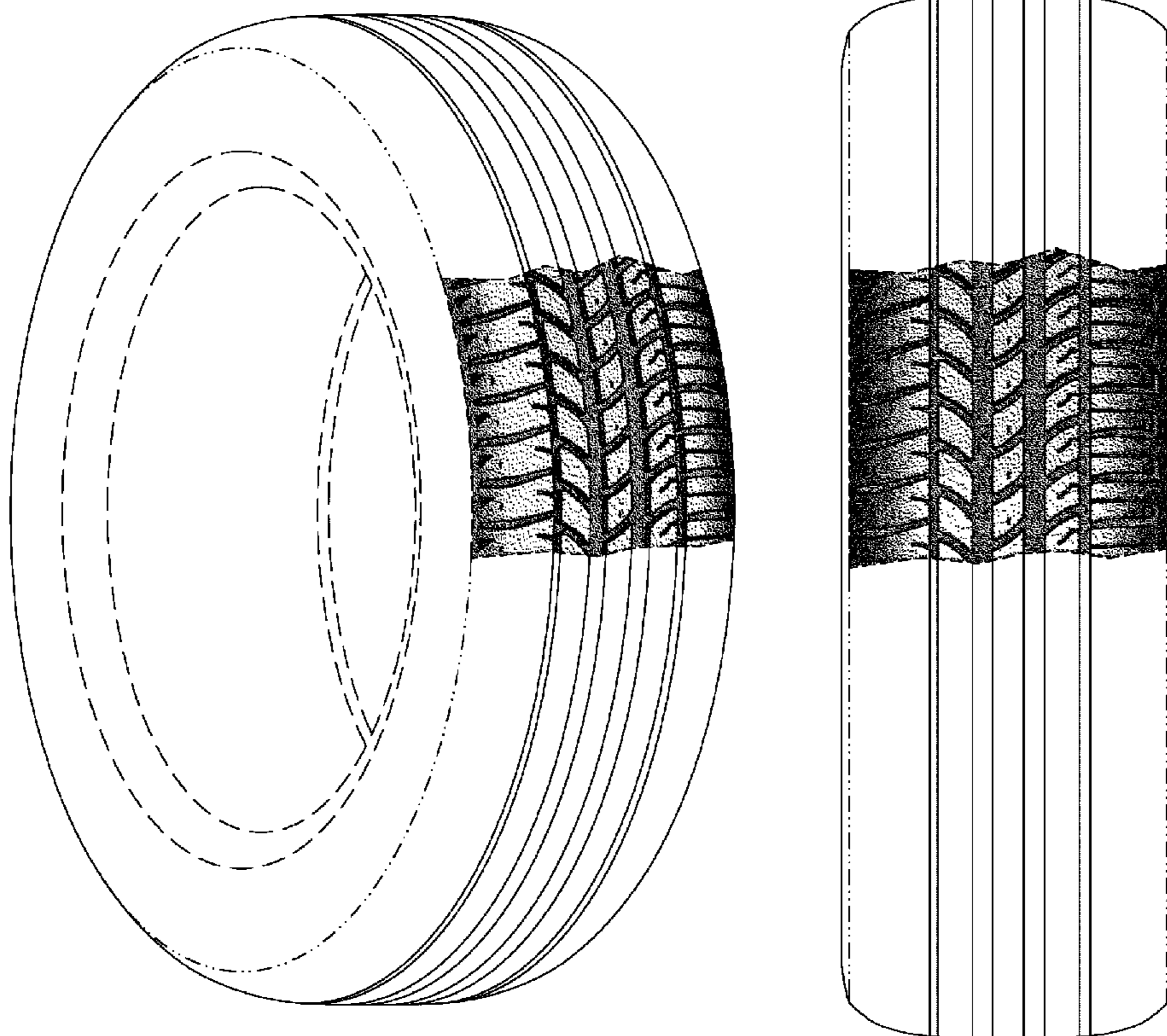
FIG. 3 is a right side elevational view thereof; and,

FIG. 4 is a left side elevational view thereof.

In the drawings, the broken lines defining the sidewall, inner bead and the unclaimed sidewall depict environmental subject matter that forms no part of the claimed design. The dash-dot lines represent the peripheral boundary between the claimed tire tread and unclaimed sidewall.

The tread pattern is understood to repeat uniformly throughout the circumference of the tire, as shown schematically in solid lines.

1 Claim, 4 Drawing Sheets



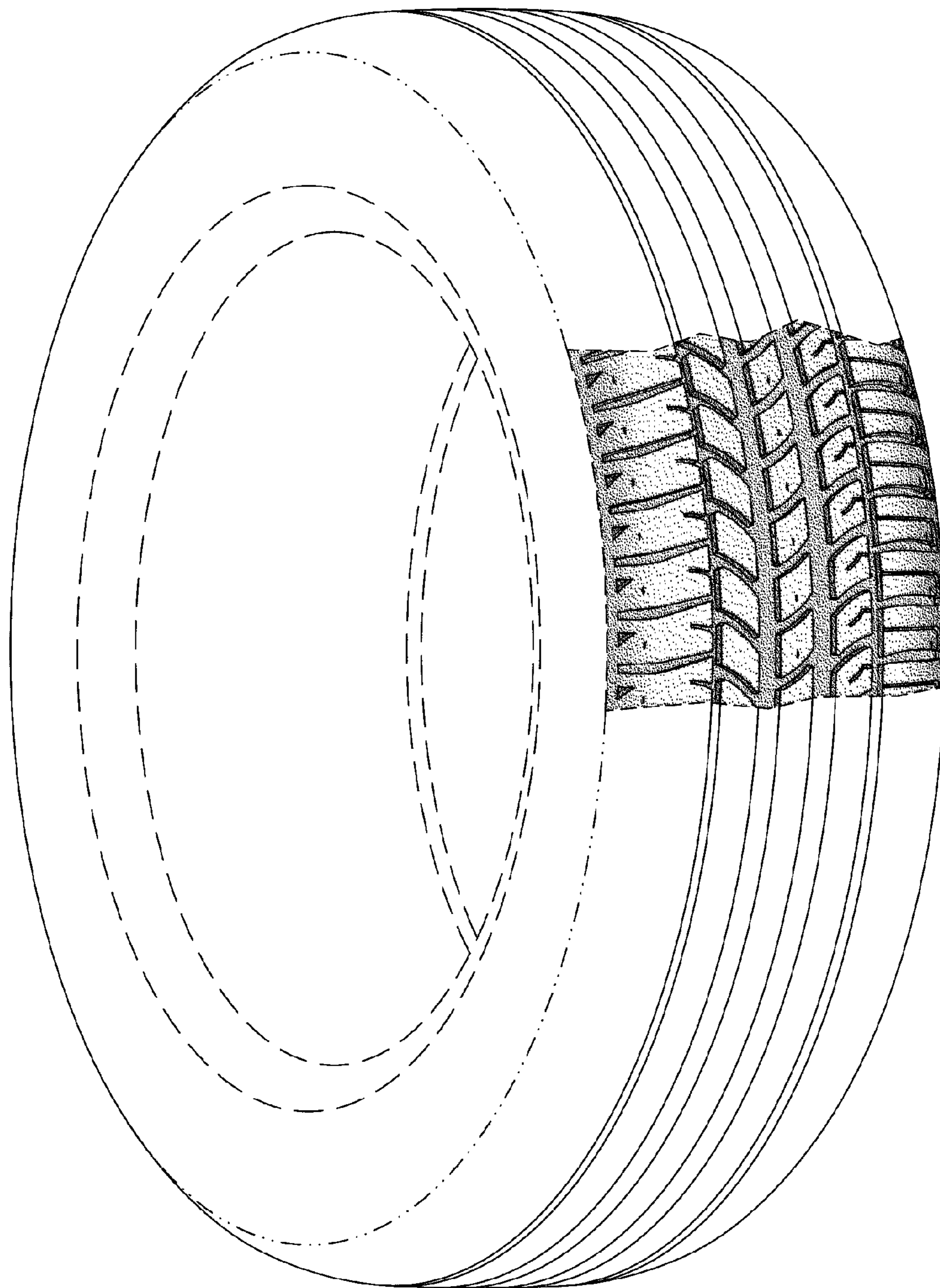


FIG. 1

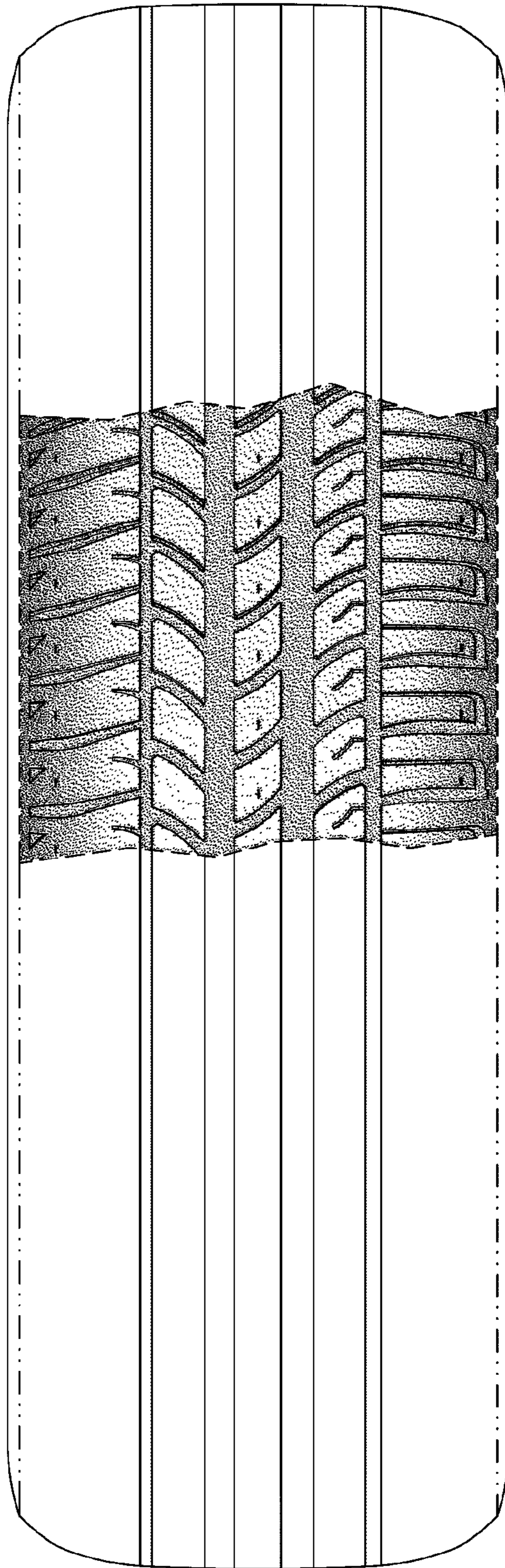


FIG. 2

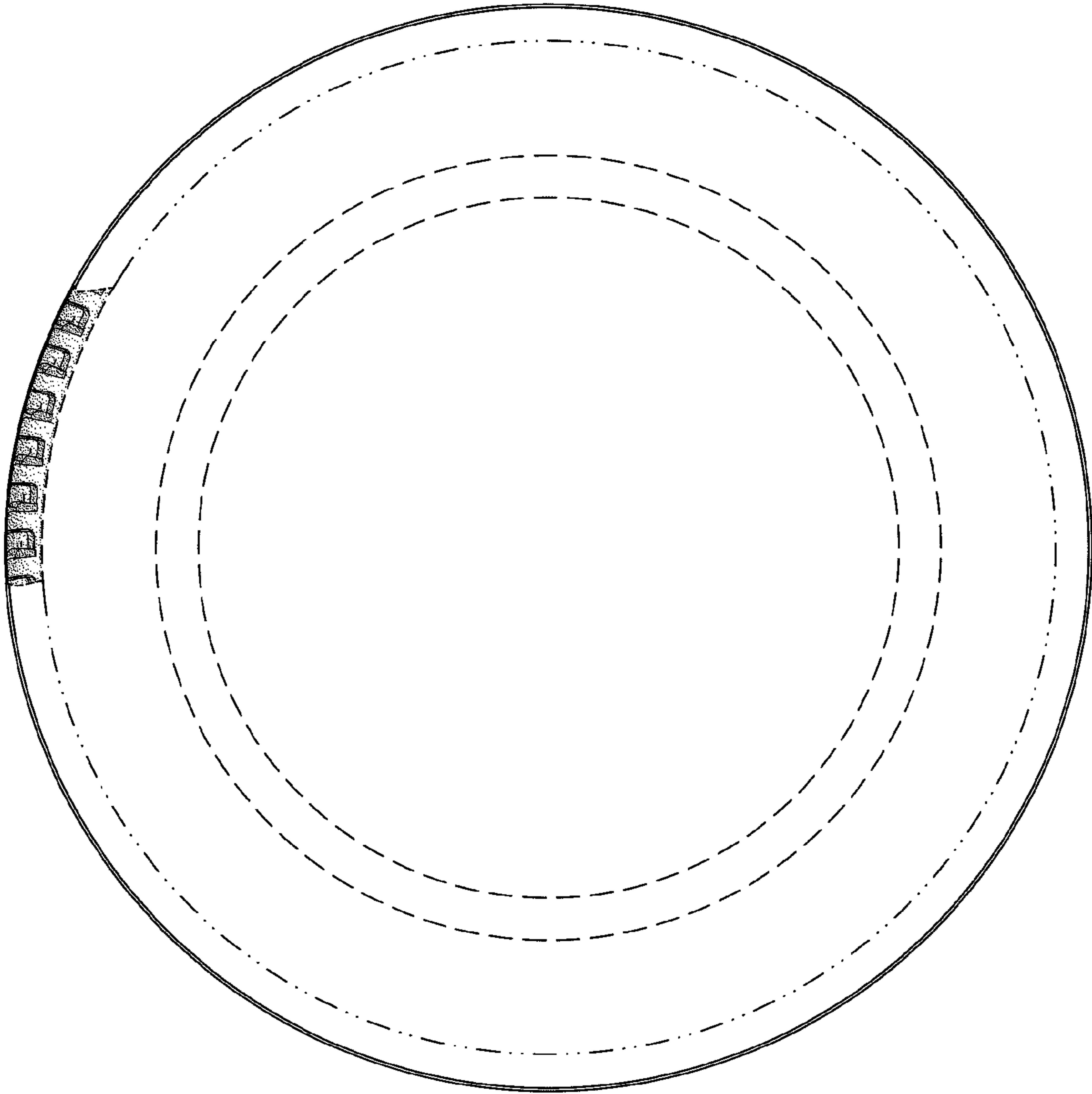


FIG. 3

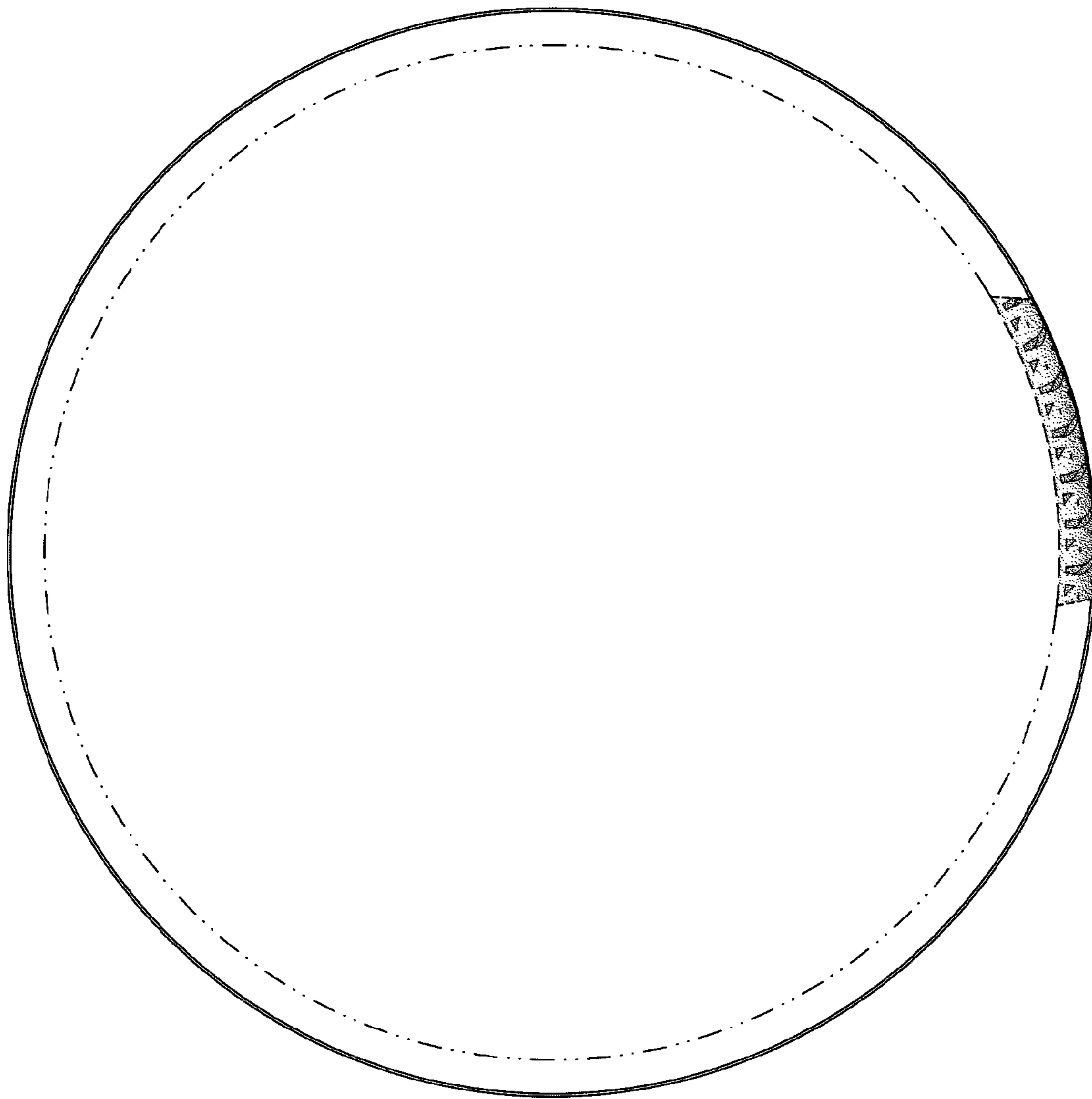


FIG. 4