



US00D656884S

(12) **United States Design Patent**  
**Barkdoll et al.**

(10) **Patent No.:** **US D656,884 S**

(45) **Date of Patent:** **\*\* Apr. 3, 2012**

(54) **GONDOLA UPRIGHT MOUNTING DEVICE**

(75) Inventors: **Patrick J. Barkdoll**, Pecatonica, IL  
(US); **Thomas E. Valiulis**, Rockford, IL  
(US)

(73) Assignee: **Southern Imperial, Inc.**, Rockford, IL  
(US)

(\*\*) Term: **14 Years**

(21) Appl. No.: **29/387,016**

(22) Filed: **Mar. 8, 2011**

(51) **LOC (9) Cl.** ..... **12-06**

(52) **U.S. Cl.** ..... **D12/223**

(58) **Field of Classification Search** ..... D12/223;  
D8/349, 380, 382, 354; 248/200, 300, 317;  
211/113

See application file for complete search history.

(56) **References Cited**

U.S. PATENT DOCUMENTS

D272,414 S *	1/1984	Barnes	.....	D8/363
D304,567 S *	11/1989	Lane, Jr.	.....	D12/223
D434,967 S *	12/2000	Habeck et al.	.....	D8/349
D439,501 S *	3/2001	Benz et al.	.....	D8/354
D467,792 S	12/2002	Zadak et al.		
D467,858 S	12/2002	Misch		
D470,397 S *	2/2003	Valiulis et al.	.....	D8/380
D534,109 S *	12/2006	Camm	.....	D12/187

D592,491 S *	5/2009	Kirby	.....	D8/380
D605,102 S	12/2009	Peschmann		
D611,887 S	3/2010	Peschmann		
7,743,931 B2 *	6/2010	Barkdoll	.....	211/7

\* cited by examiner

*Primary Examiner* — Sheryl Lane

(74) *Attorney, Agent, or Firm* — Reinhart Boerner Van Deuren P.C.

(57) **CLAIM**

I claim the ornamental design for a gondola upright mounting device, as shown and described.

**DESCRIPTION**

FIG. 1 is an isometric view of a gondola upright mounting device;

FIG. 2 is an alternate isometric view thereof;

FIG. 3 is a side view thereof;

FIG. 4 is a side view thereof showing the side opposite that shown in FIG. 3;

FIG. 5 is a top view thereof;

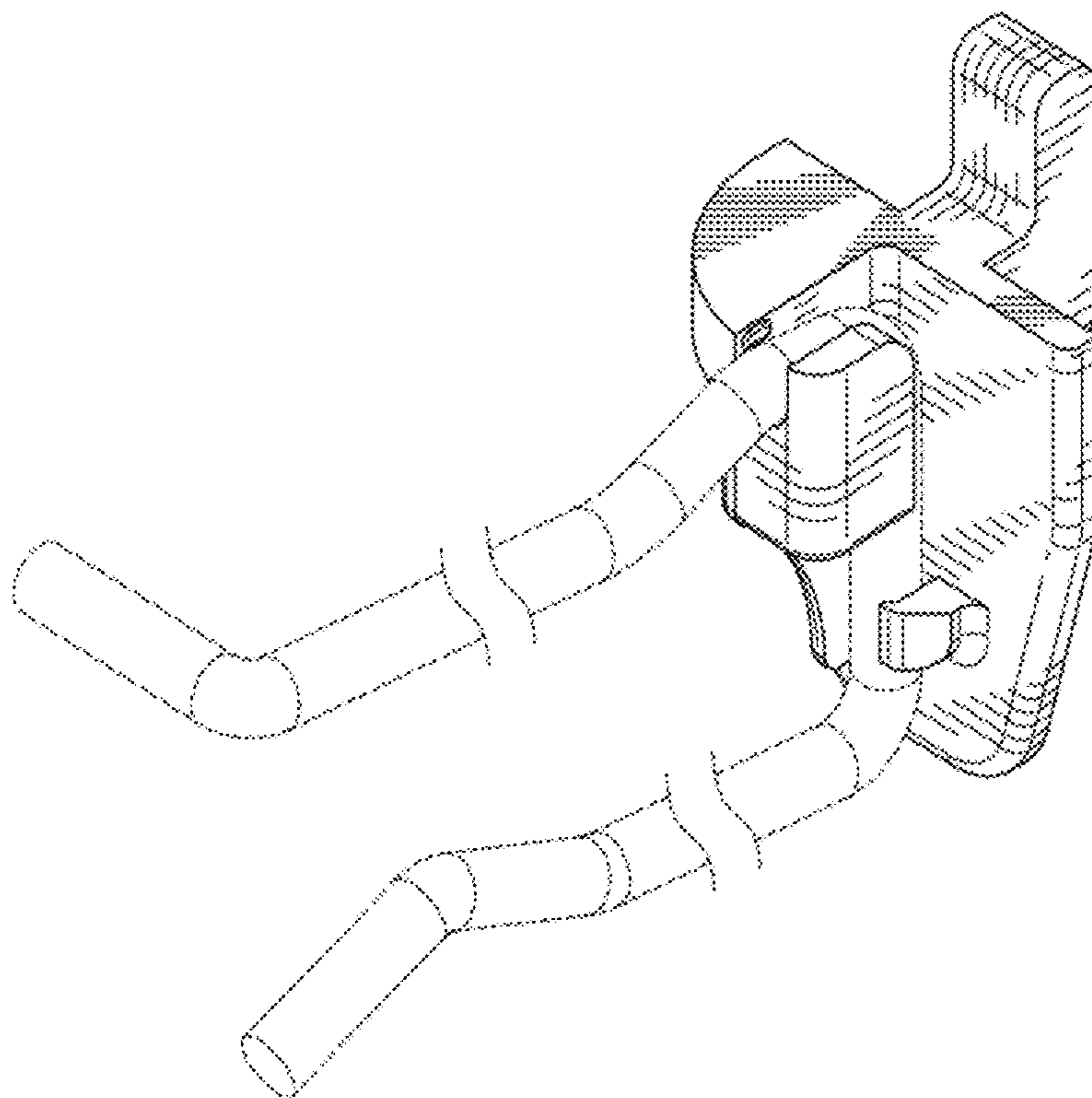
FIG. 6 is a bottom view thereof;

FIG. 7 is a front view thereof; and,

FIG. 8 is a rear view thereof.

The broken lines shown in the drawings for the gondola upright mounting device are included to show portions of the article that are not part of the claimed design.

**1 Claim, 8 Drawing Sheets**



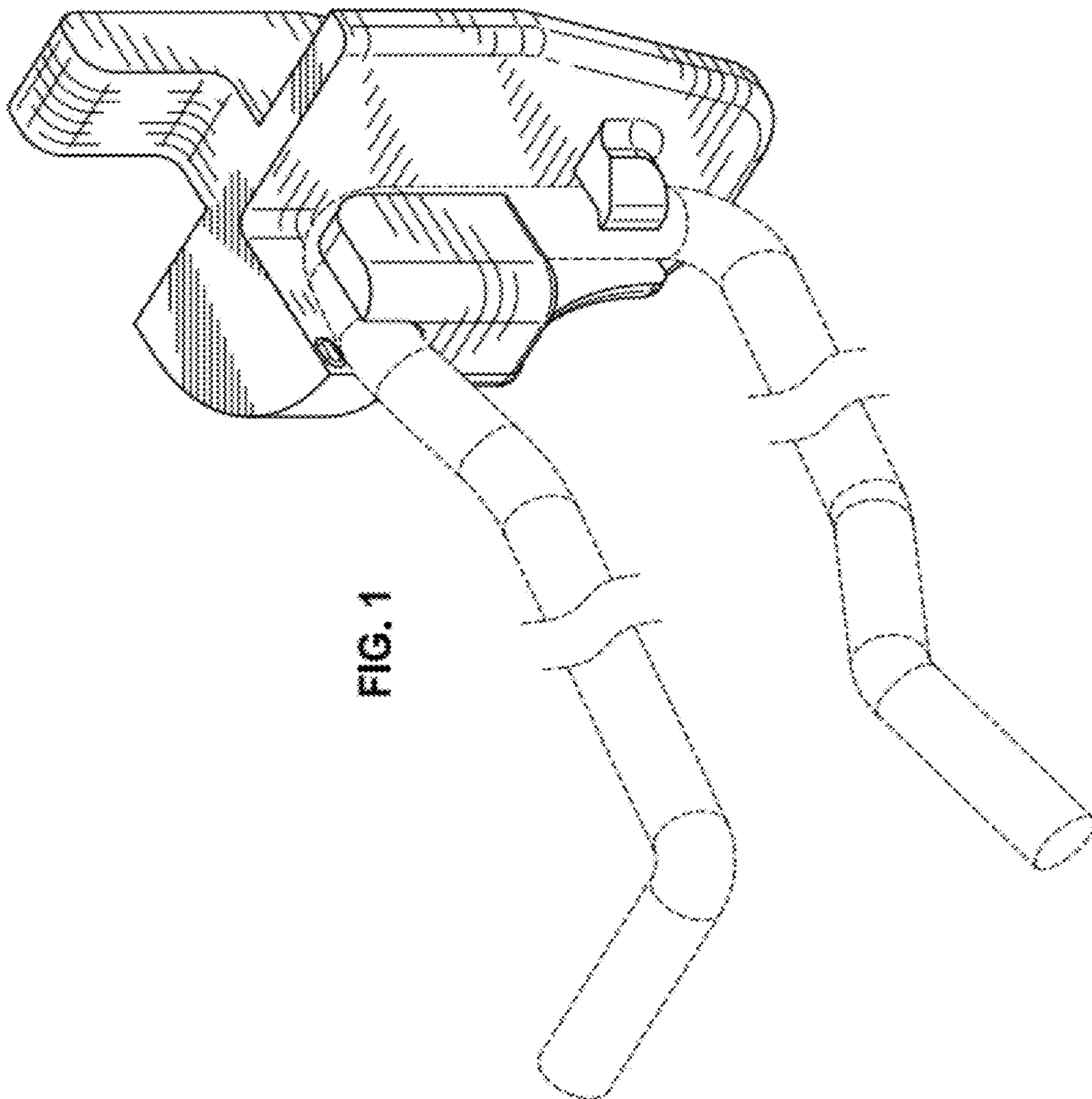


FIG. 1

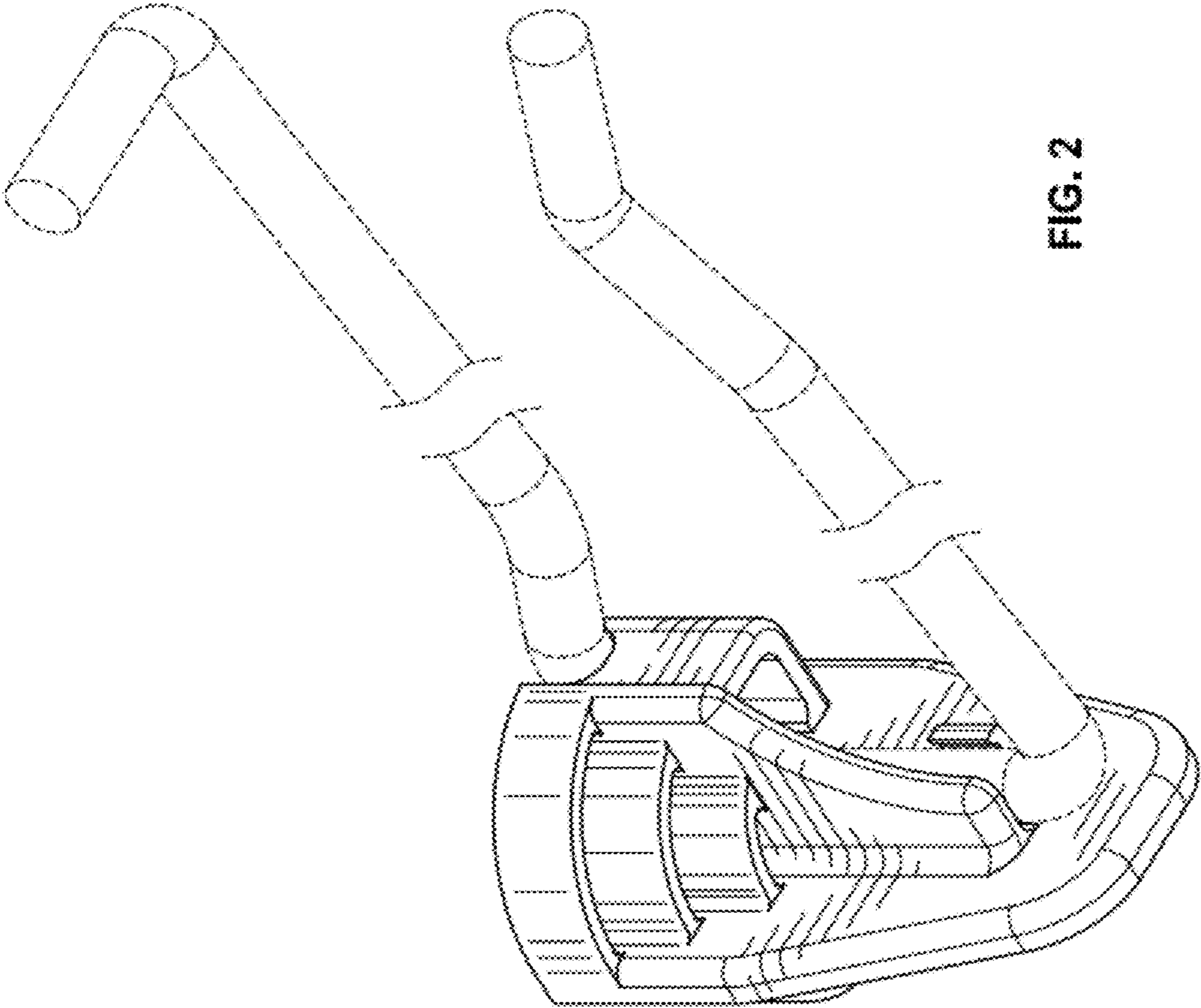


FIG. 2

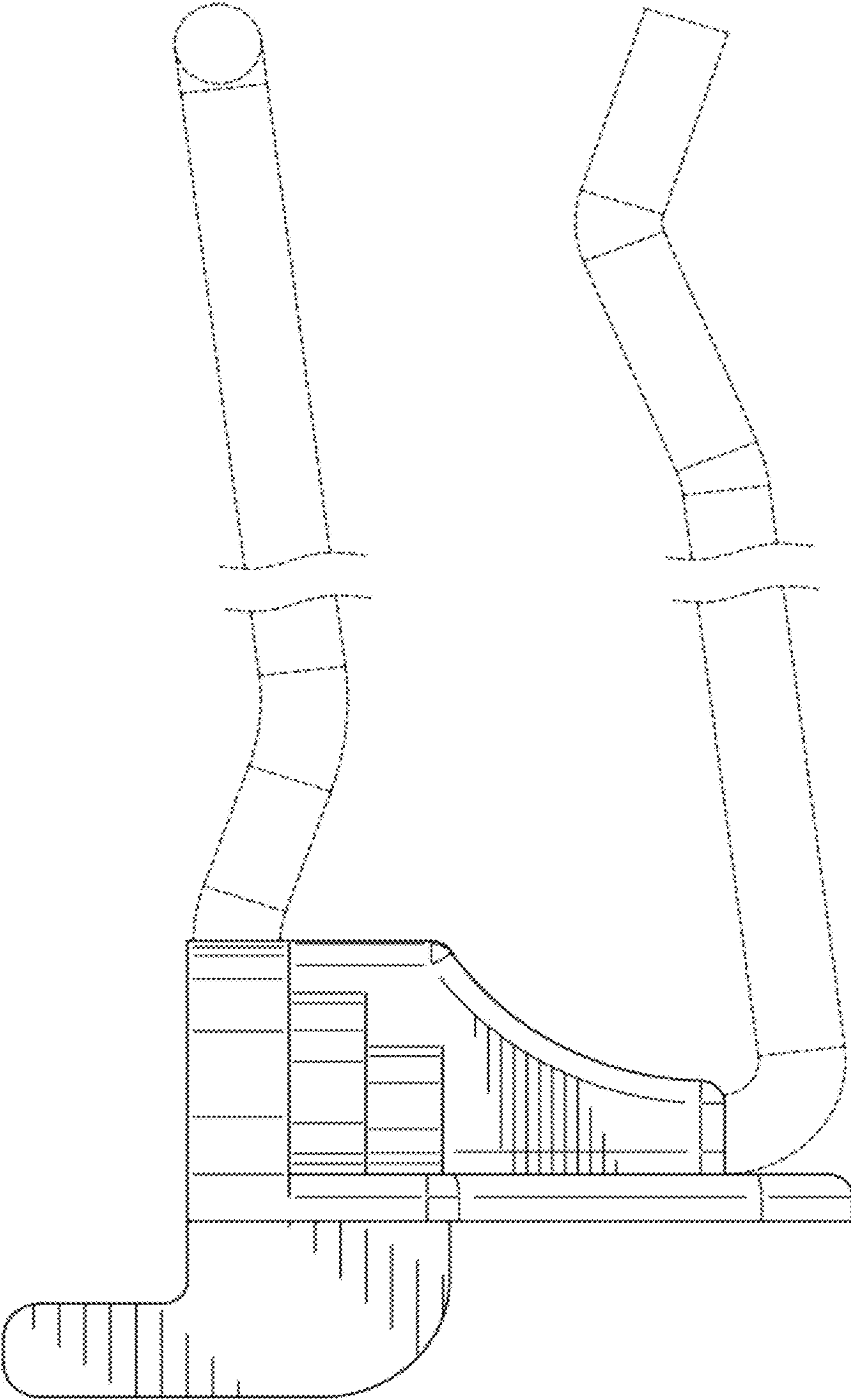


FIG. 3

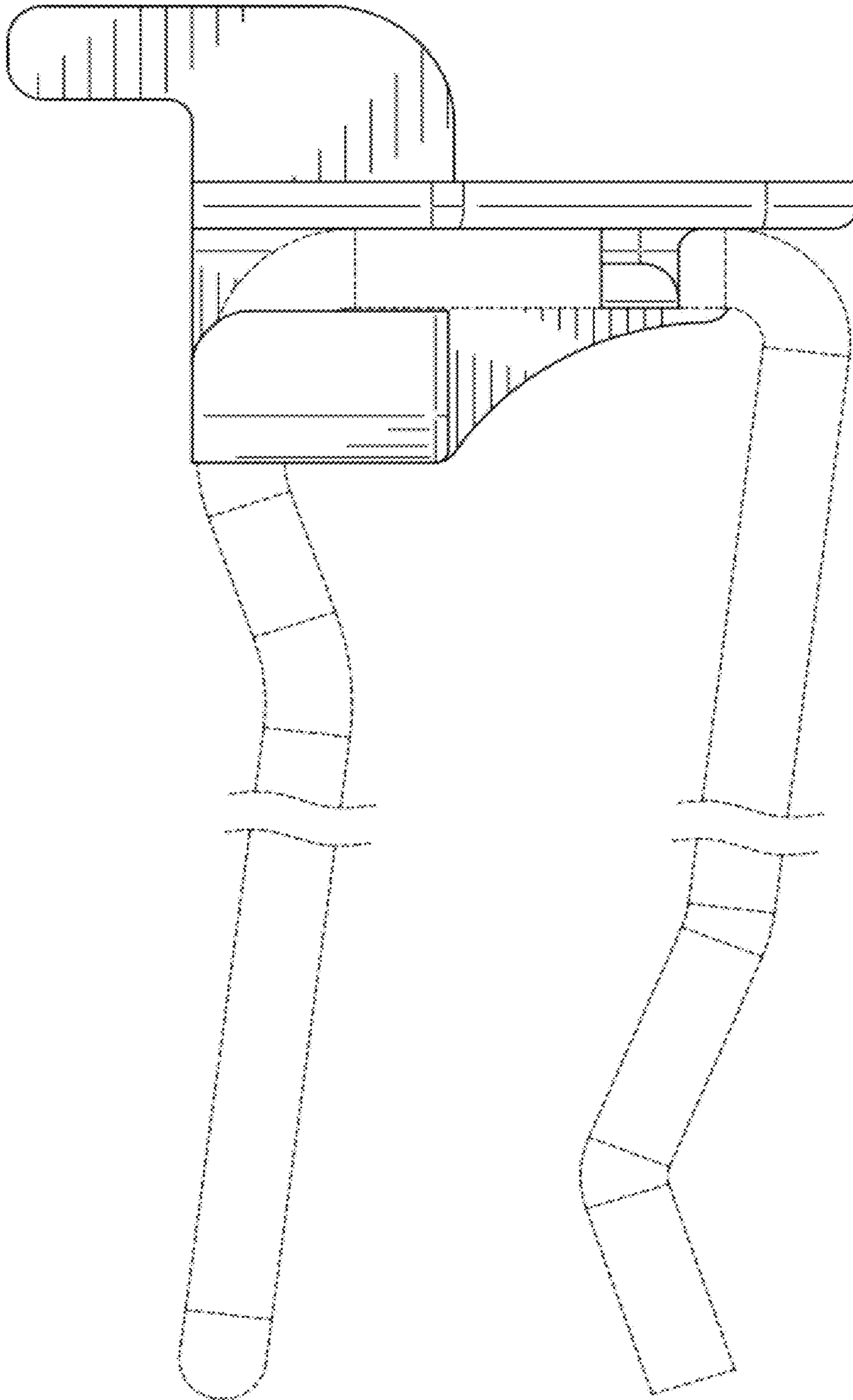


FIG. 4

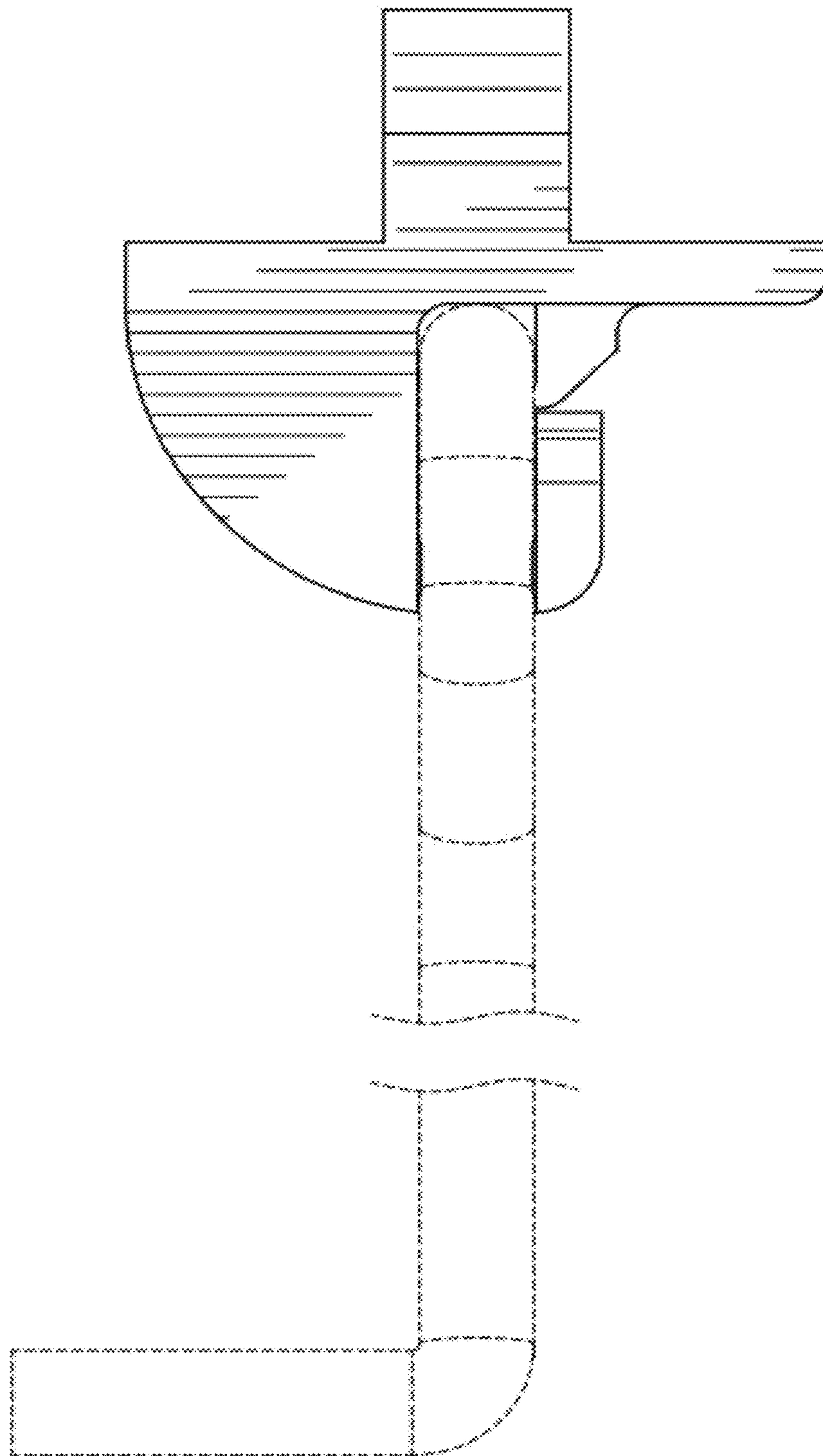


FIG. 5

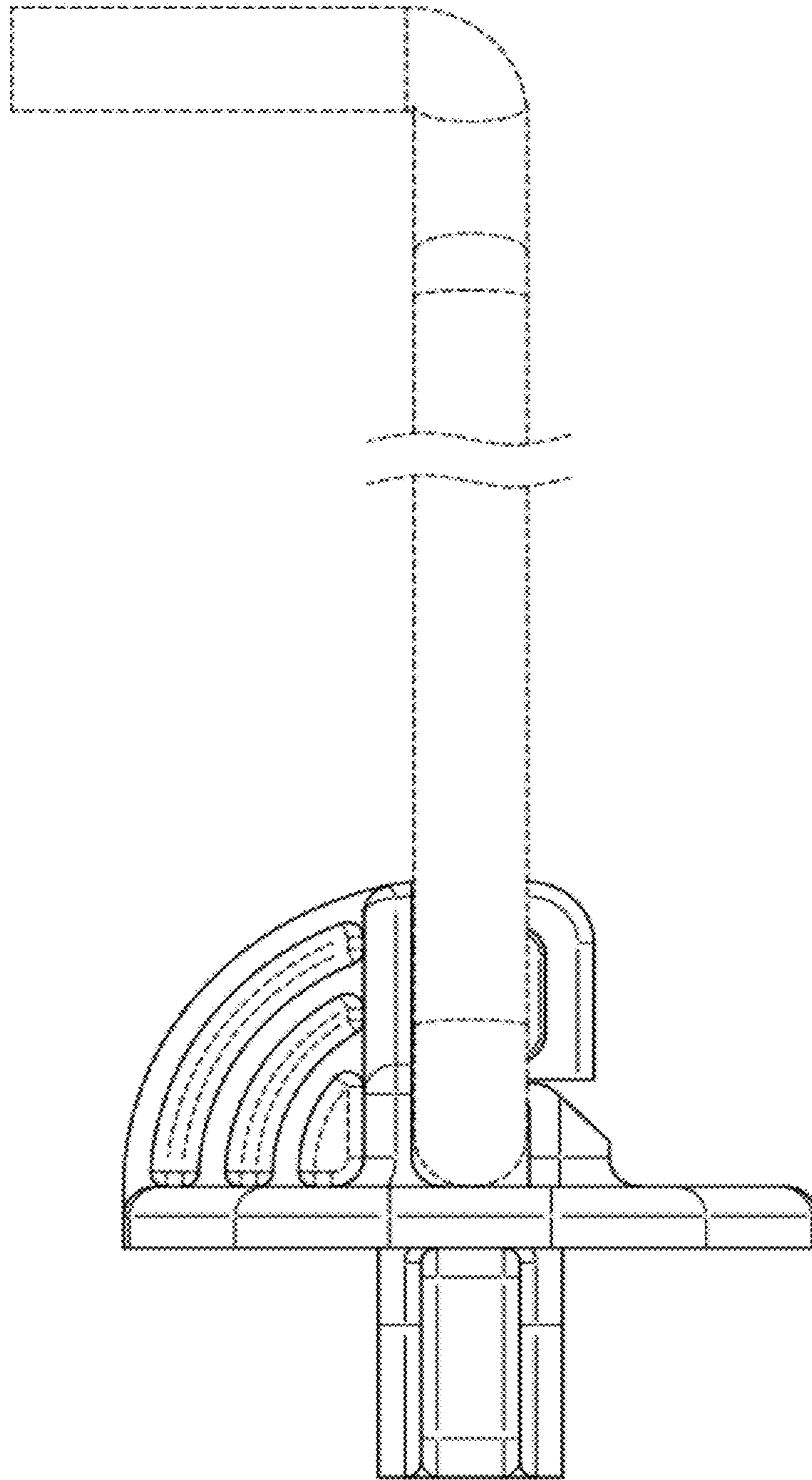


FIG. 6

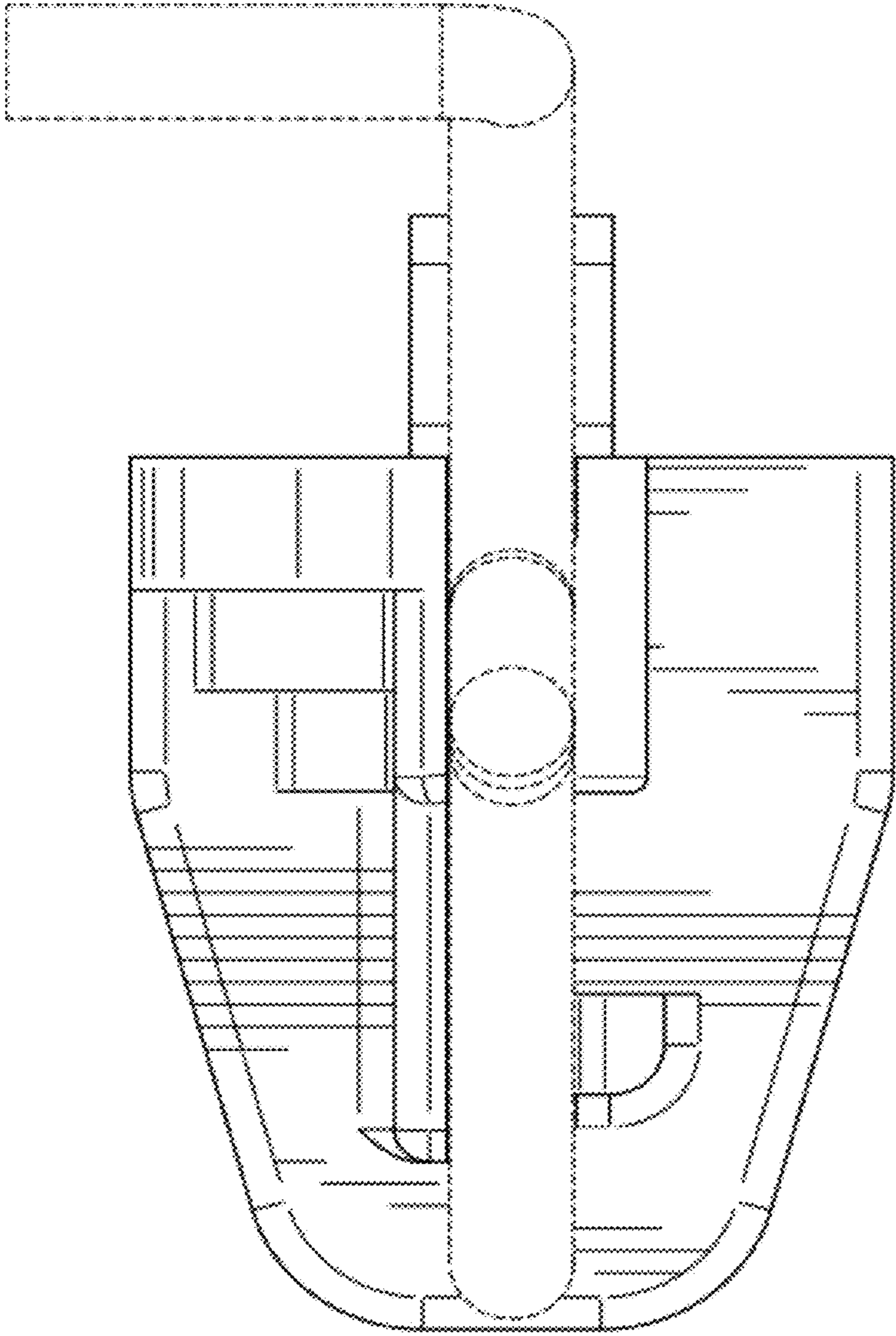


FIG. 7



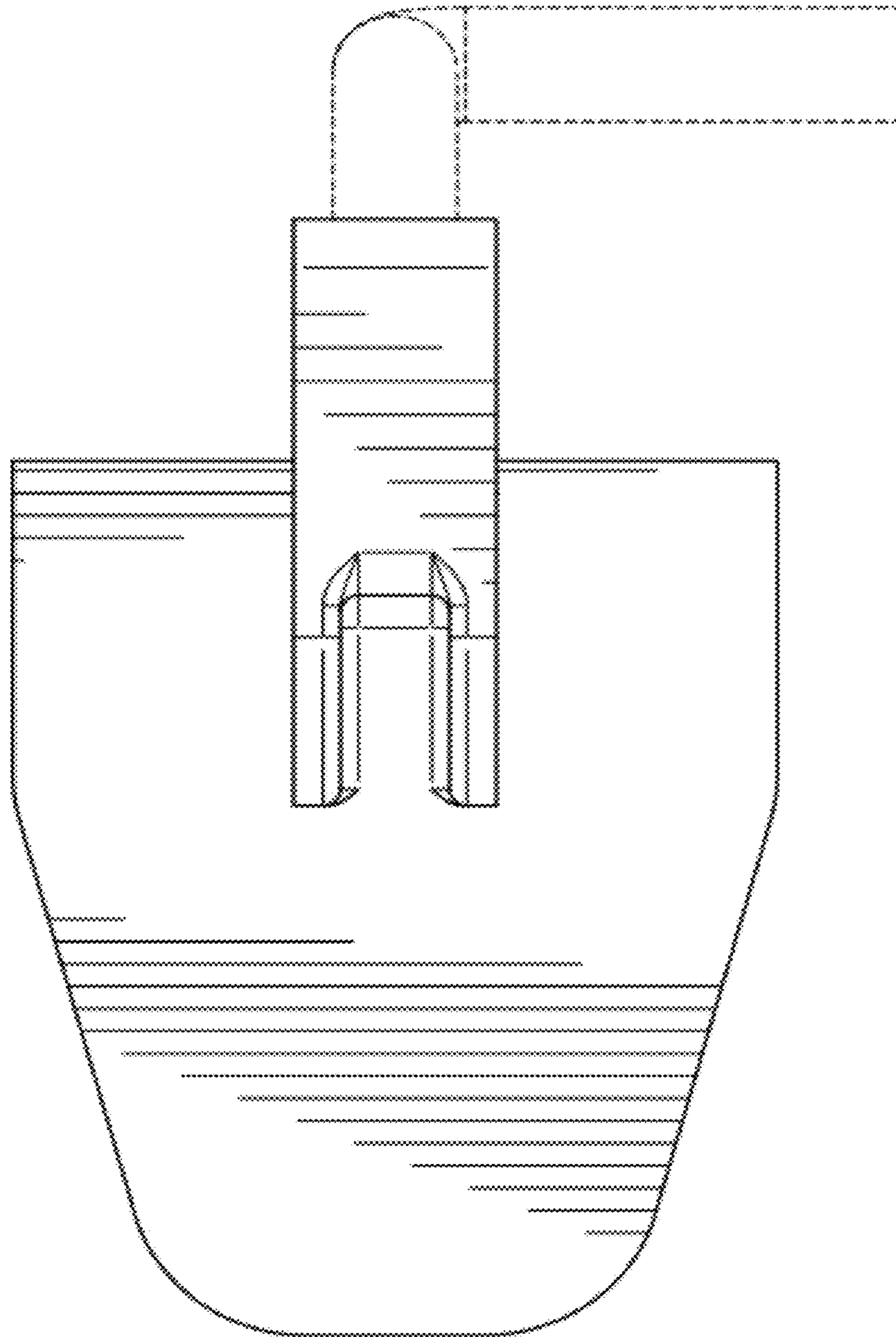


FIG. 8