



US00D656883S

(12) **United States Design Patent**
Patalak et al.

(10) **Patent No.:** **US D656,883 S**

(45) **Date of Patent:** **** Apr. 3, 2012**

(54) **RETAINING COUPLER**

(75) Inventors: **John Peter Patalak**, Concord, NC (US);
Donald Eric Krueger, Stoney Point, NC
(US); **Henry Thomas Fowler**, Charlotte,
NC (US)

(73) Assignee: **National Association for Stock Car
Auto Racing, Inc.**, Daytona Beach, FL
(US)

(**) Term: **14 Years**

(21) Appl. No.: **29/384,591**

(22) Filed: **Feb. 1, 2011**

Related U.S. Application Data

(63) Continuation-in-part of application No. 12/819,336,
filed on Jun. 21, 2010.

(51) **LOC (9) Cl.** **12-06**

(52) **U.S. Cl.** **D12/223**

(58) **Field of Classification Search** D12/223;
D8/382, 349, 354; 248/200, 300, 177.1,
248/187.1

See application file for complete search history.

(56) **References Cited**

U.S. PATENT DOCUMENTS

D441,273	S	*	5/2001	O'Donnell et al.	D8/349
D485,159	S	*	1/2004	Junkers	D8/382
D531,890	S	*	11/2006	Bentrim	D8/382
D534,064	S	*	12/2006	Gimpel et al.	D8/382
D534,109	S	*	12/2006	Camm	D12/187
D555,469	S	*	11/2007	Unger	D8/382
D623,500	S	*	9/2010	Langner et al.	D8/349

* cited by examiner

Primary Examiner — Cynthia M Chin

Assistant Examiner — Sheryl Lane

(74) *Attorney, Agent, or Firm* — Alston & Bird LLP

(57) **CLAIM**

The ornamental design for a retaining coupler, as shown and described.

DESCRIPTION

FIG. 1 is a perspective view of a retaining coupler according to our new design, shown in a closed configuration holding a sensor and retaining shoe;

FIG. 2 is a top plan view thereof;

FIG. 3 is a bottom plan view thereto;

FIG. 4 is a left side elevation view thereof;

FIG. 5 is a right side elevation view thereof;

FIG. 6 is a rear elevation view thereof;

FIG. 7 is a front elevation view thereof;

FIG. 8 is an exploded perspective view thereof, shown in an open configuration;

FIG. 9 is a further exploded perspective view thereof, shown in an open configuration;

FIG. 10 is a perspective view thereof, shown in an open configuration;

FIG. 11 is a top plan view thereof;

FIG. 12 is a bottom plan view thereto;

FIG. 13 is a left side elevation view thereof;

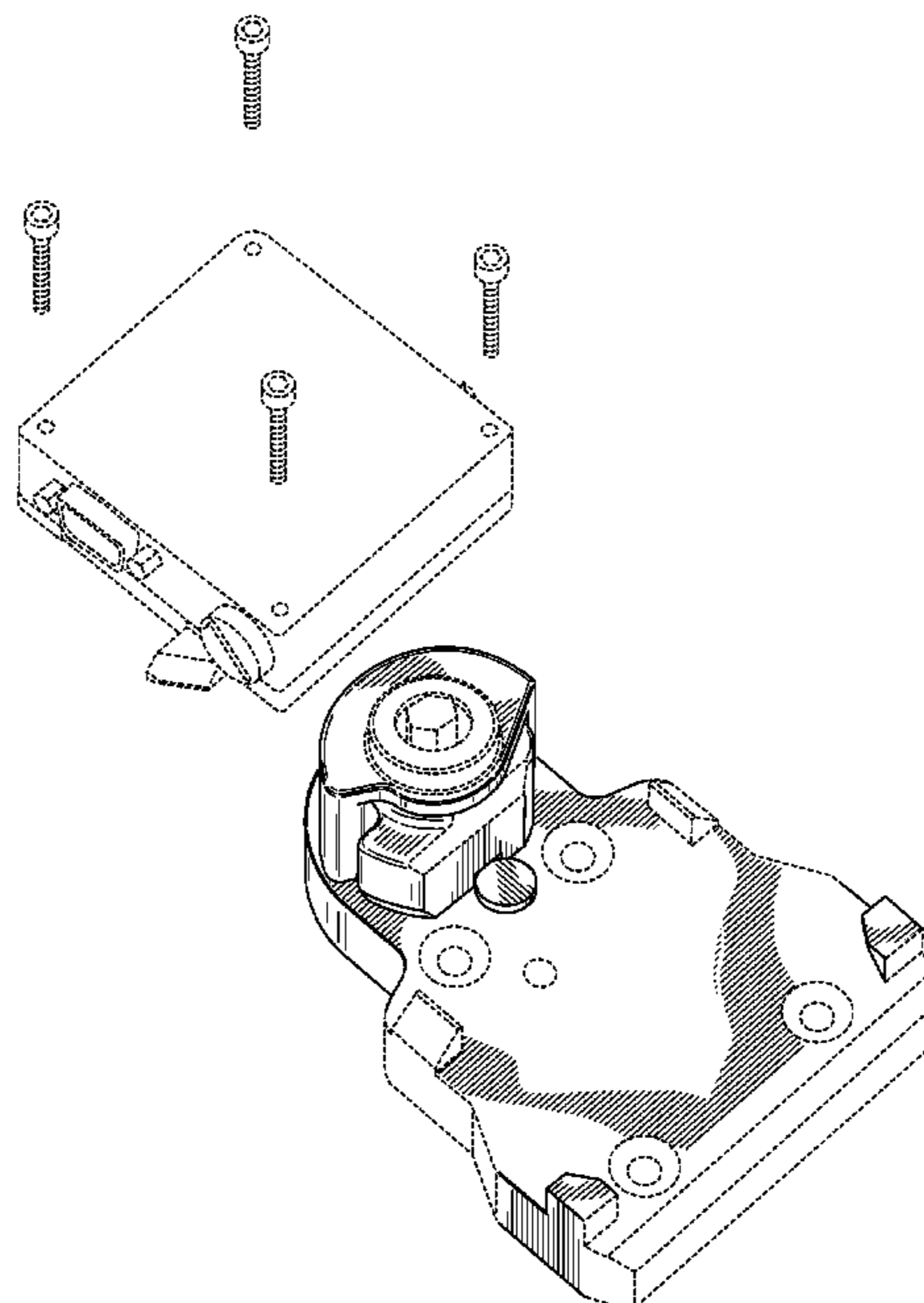
FIG. 14 is a right side elevation view thereof;

FIG. 15 is a rear elevation view thereof; and,

FIG. 16 is a front elevation view thereof.

The broken lines immediately adjacent shaded areas represent bounds of the claimed design and environment while all other broken lines are directed to environment and are for illustrative purposes only. The broken lines form no part of the claimed design.

1 Claim, 12 Drawing Sheets



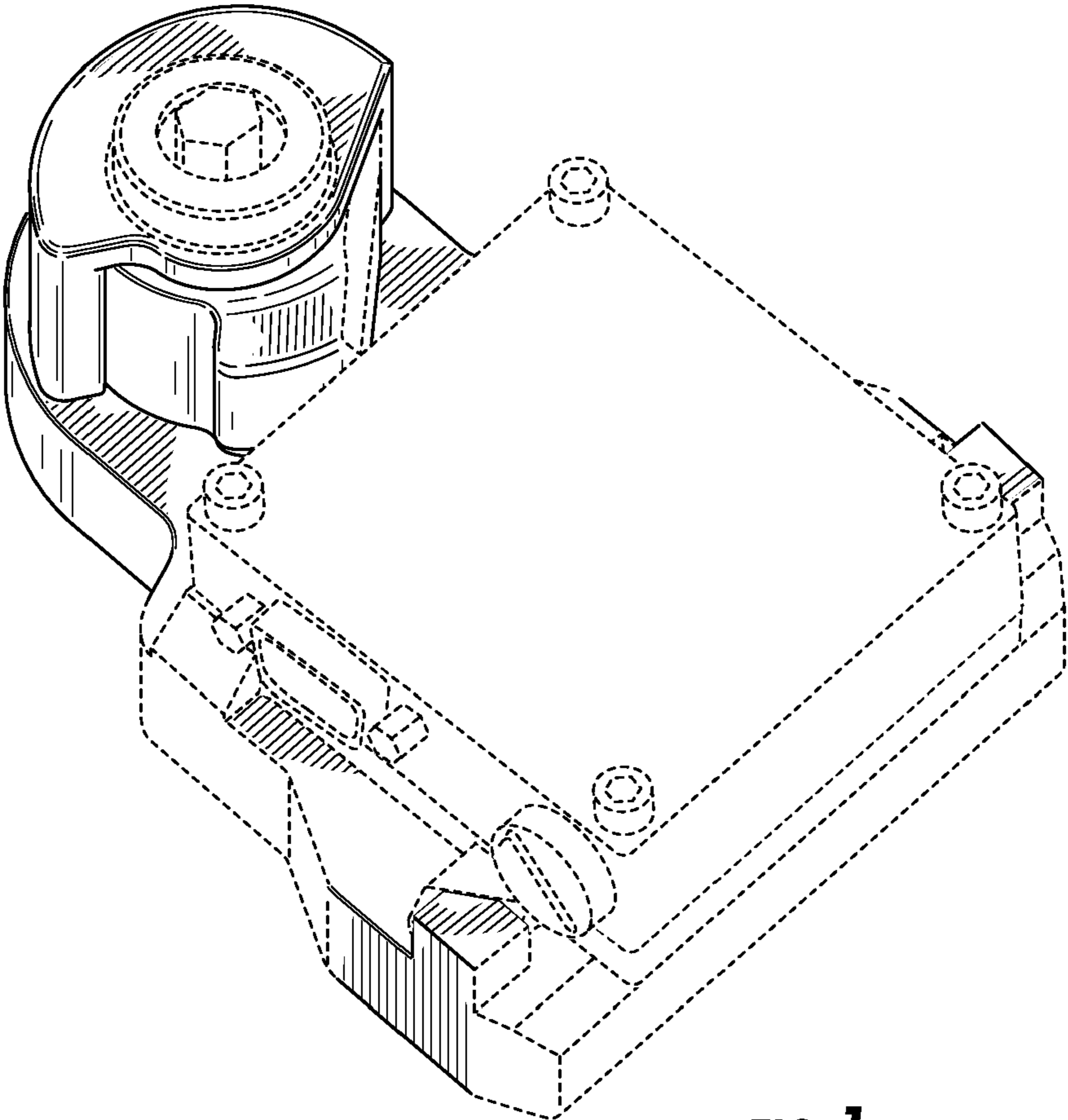


FIG. 1

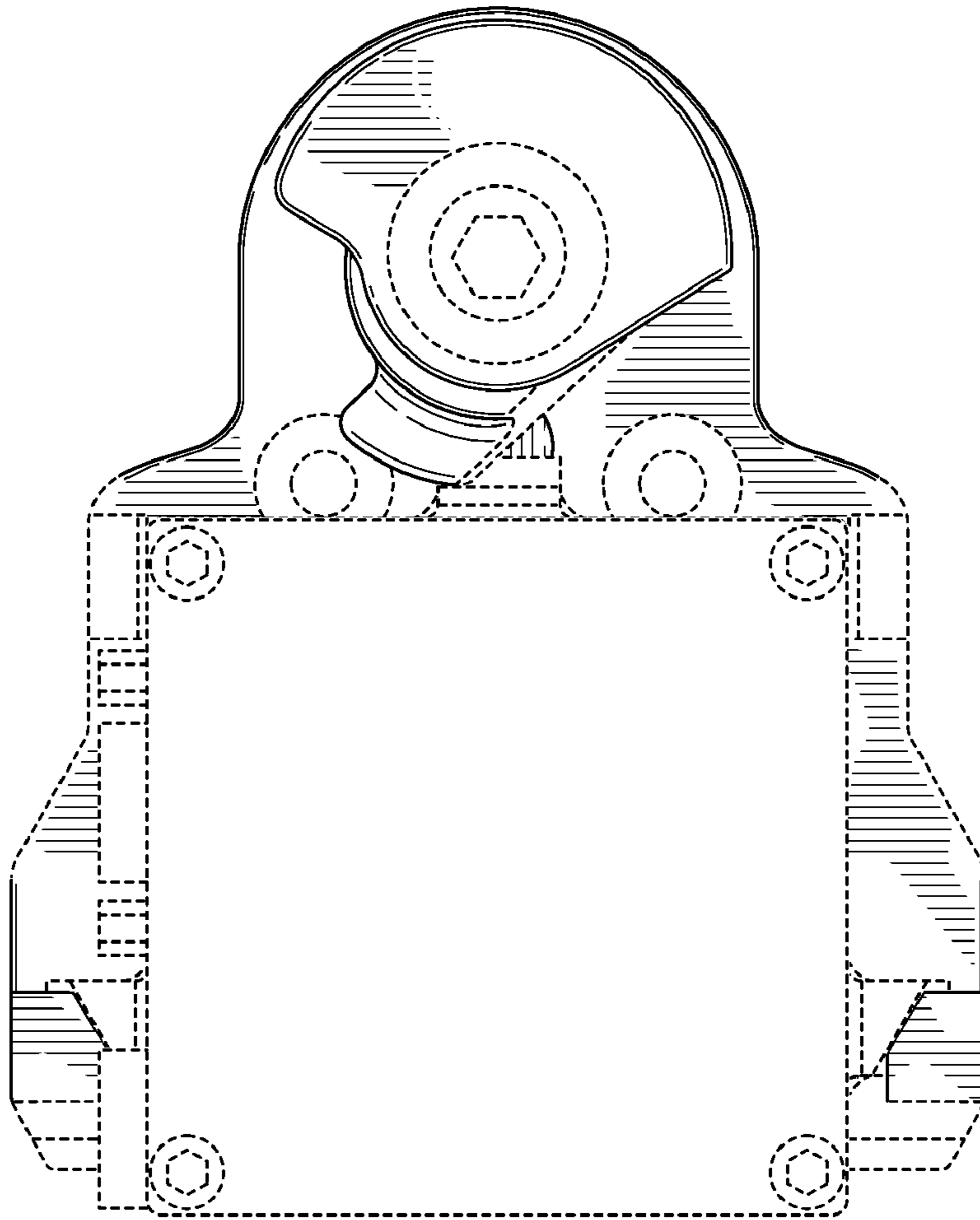


FIG. 2

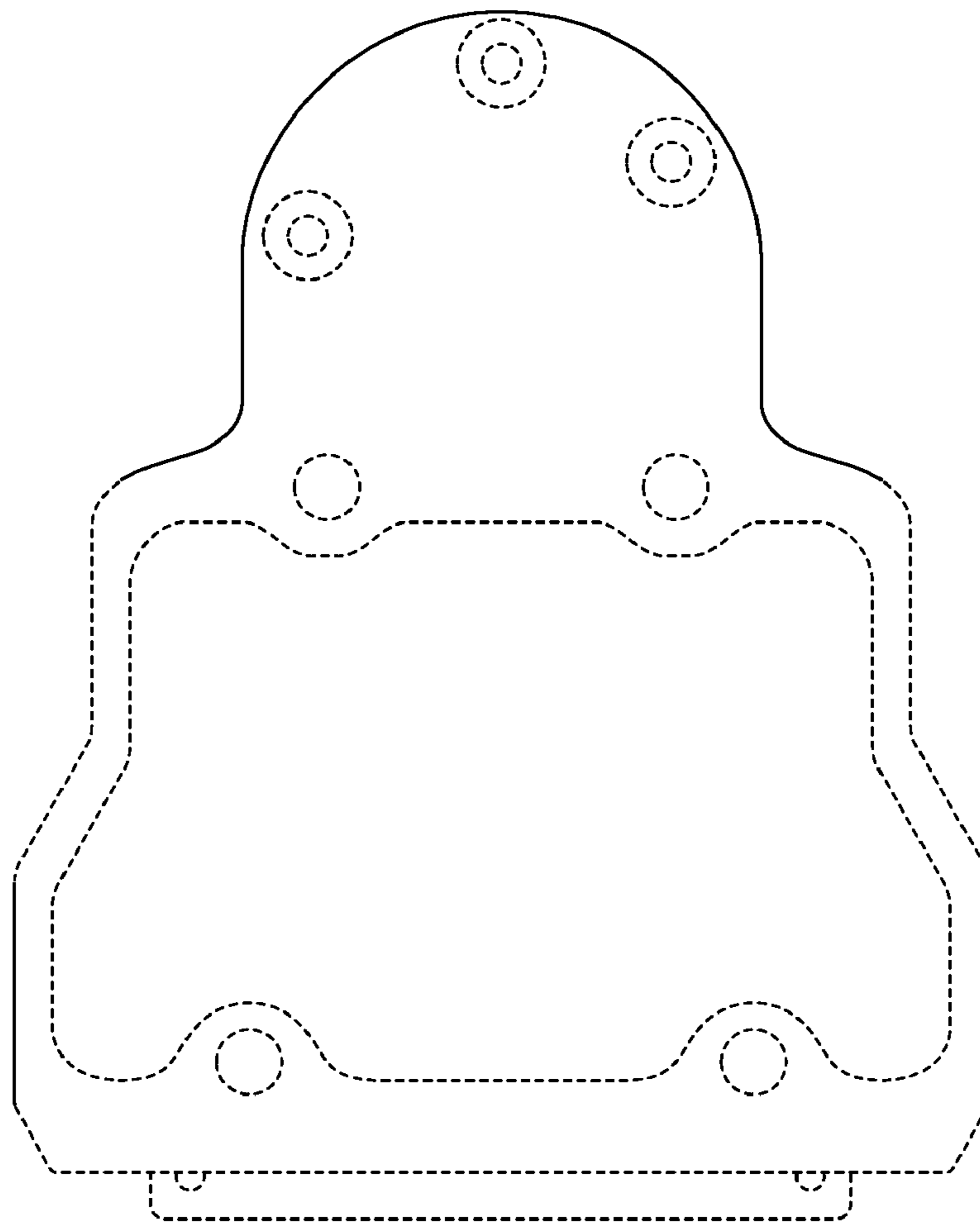


FIG. 3

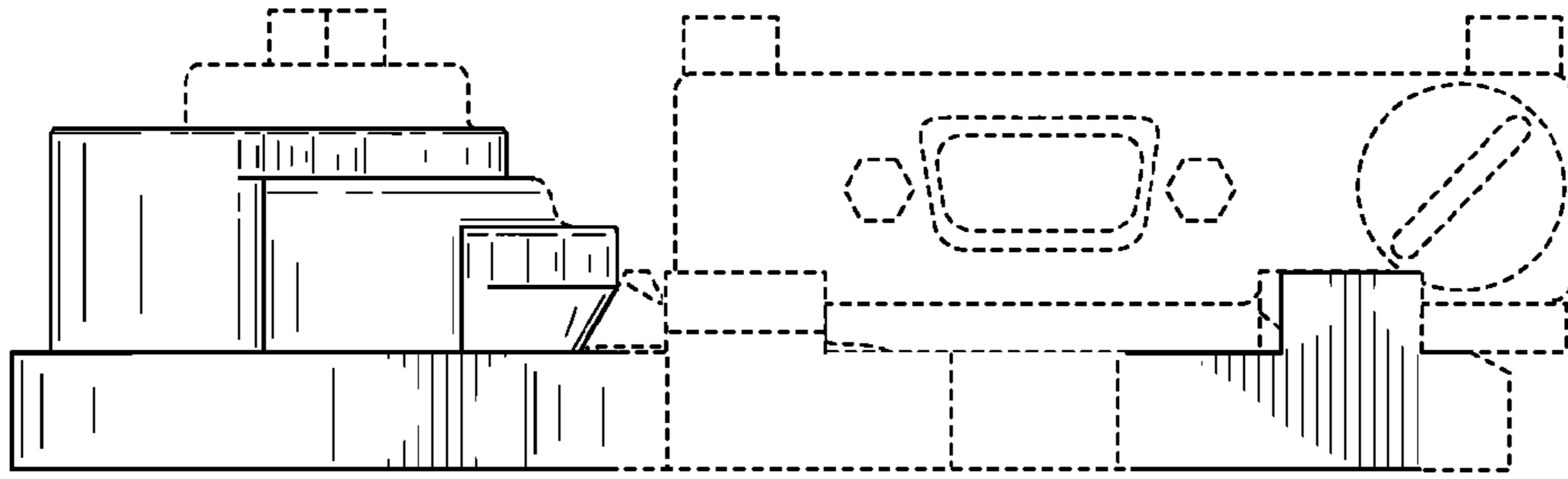


FIG. 4

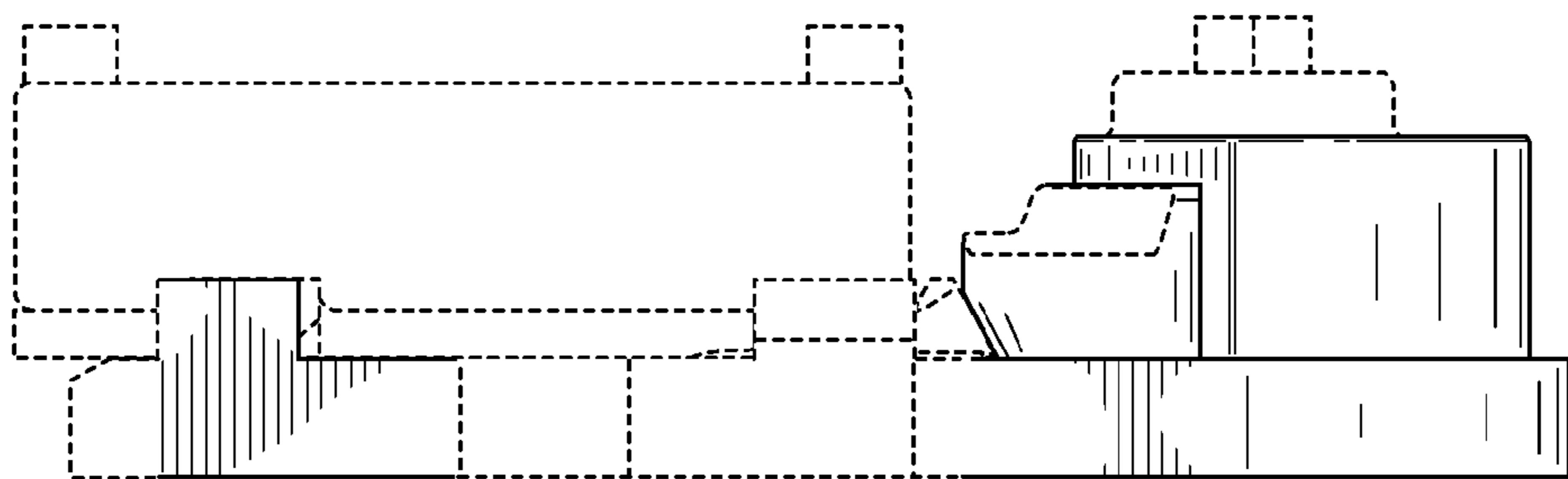


FIG. 5

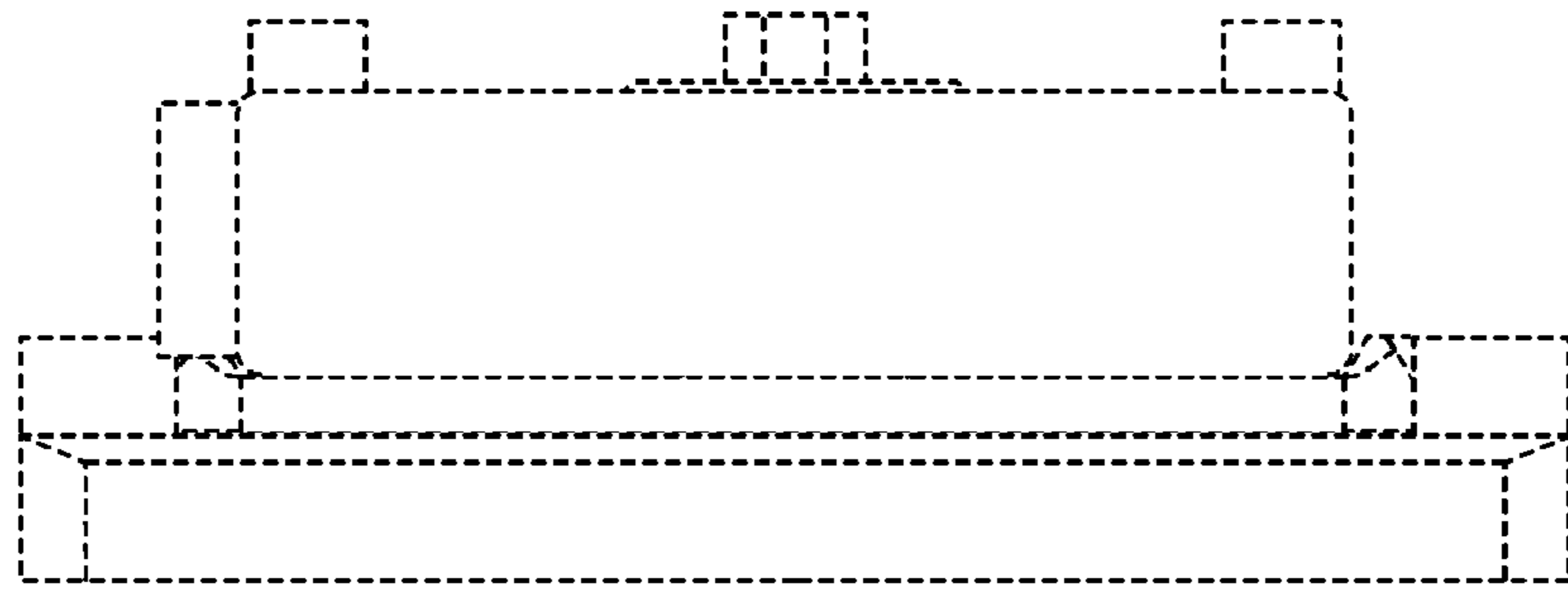


FIG. 6

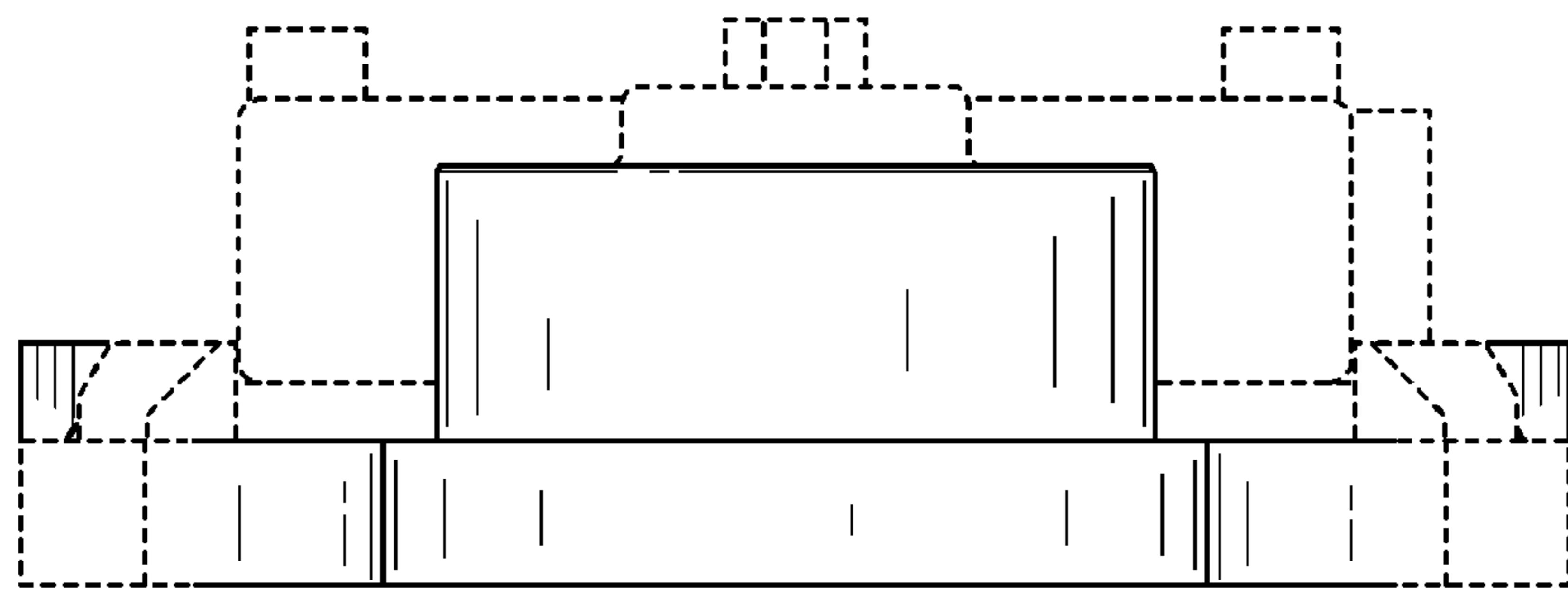


FIG. 7

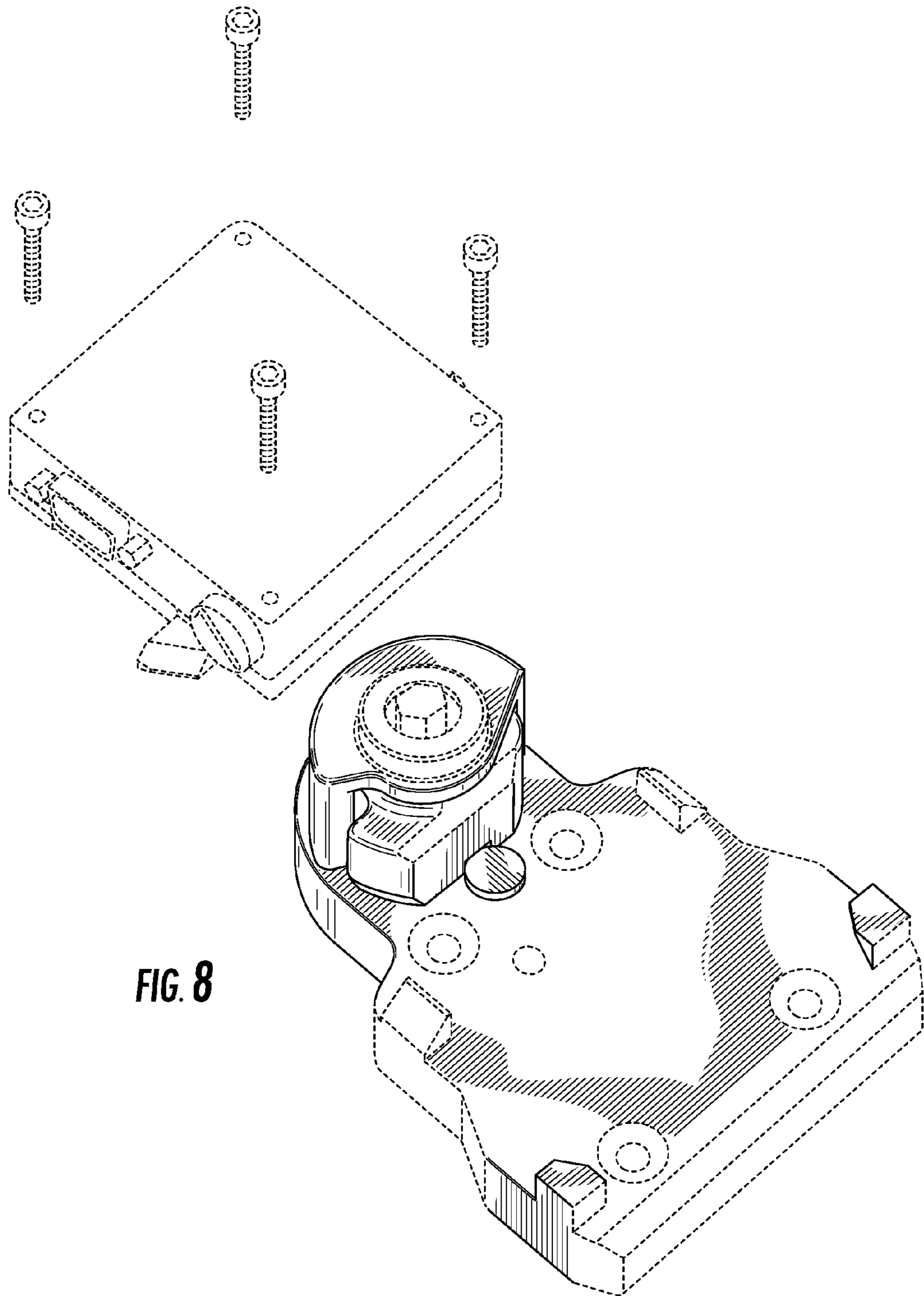
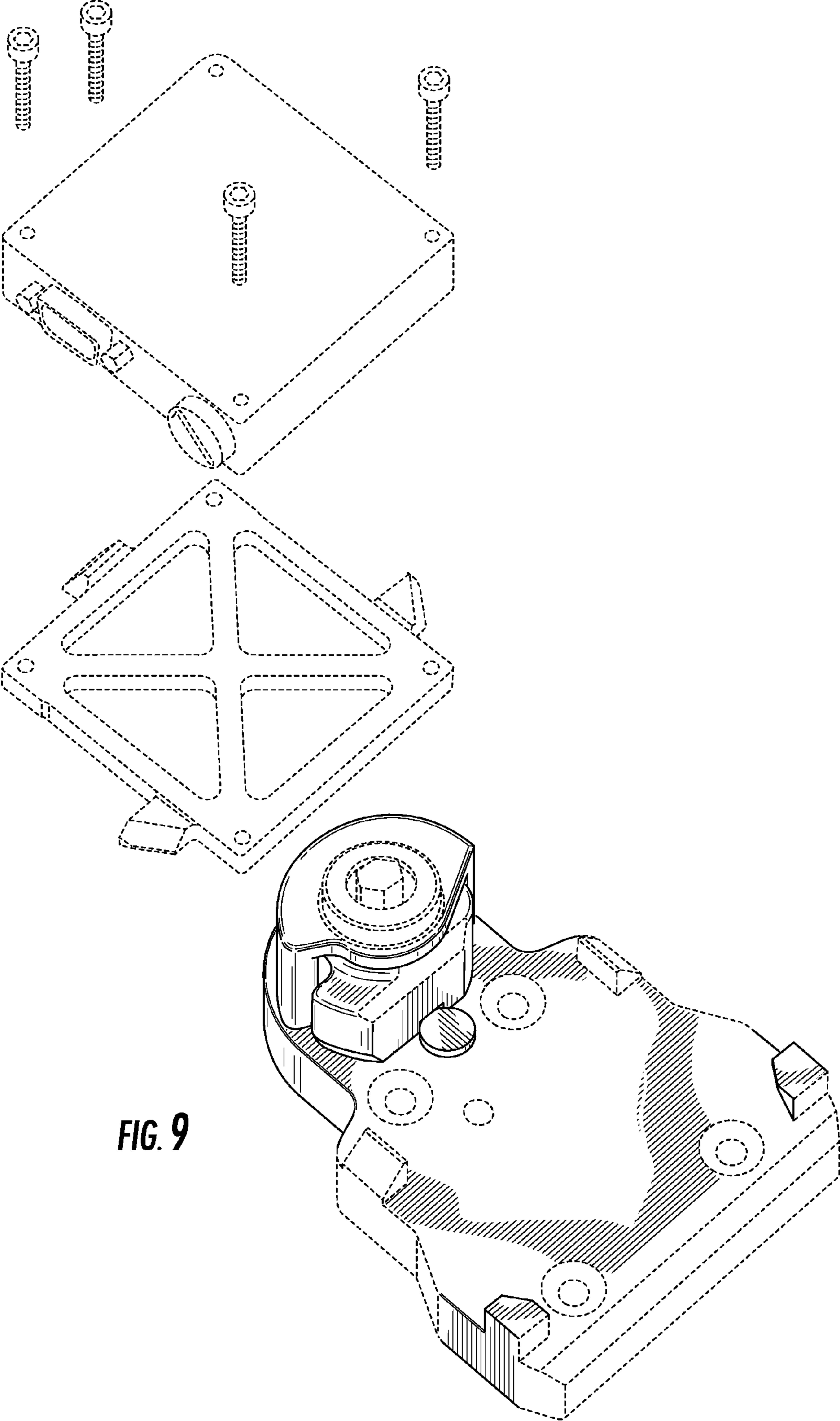


FIG. 8



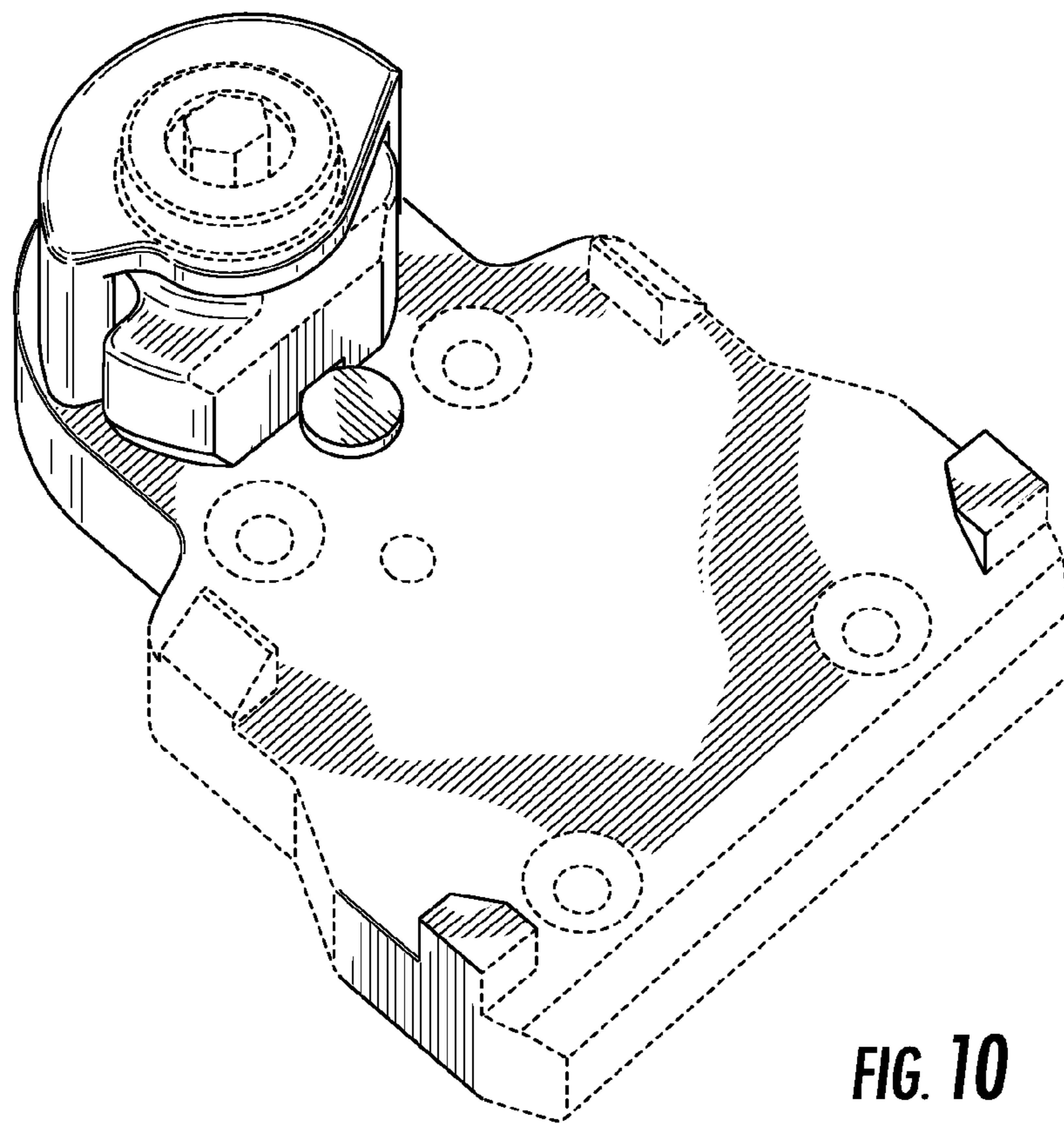


FIG. 10

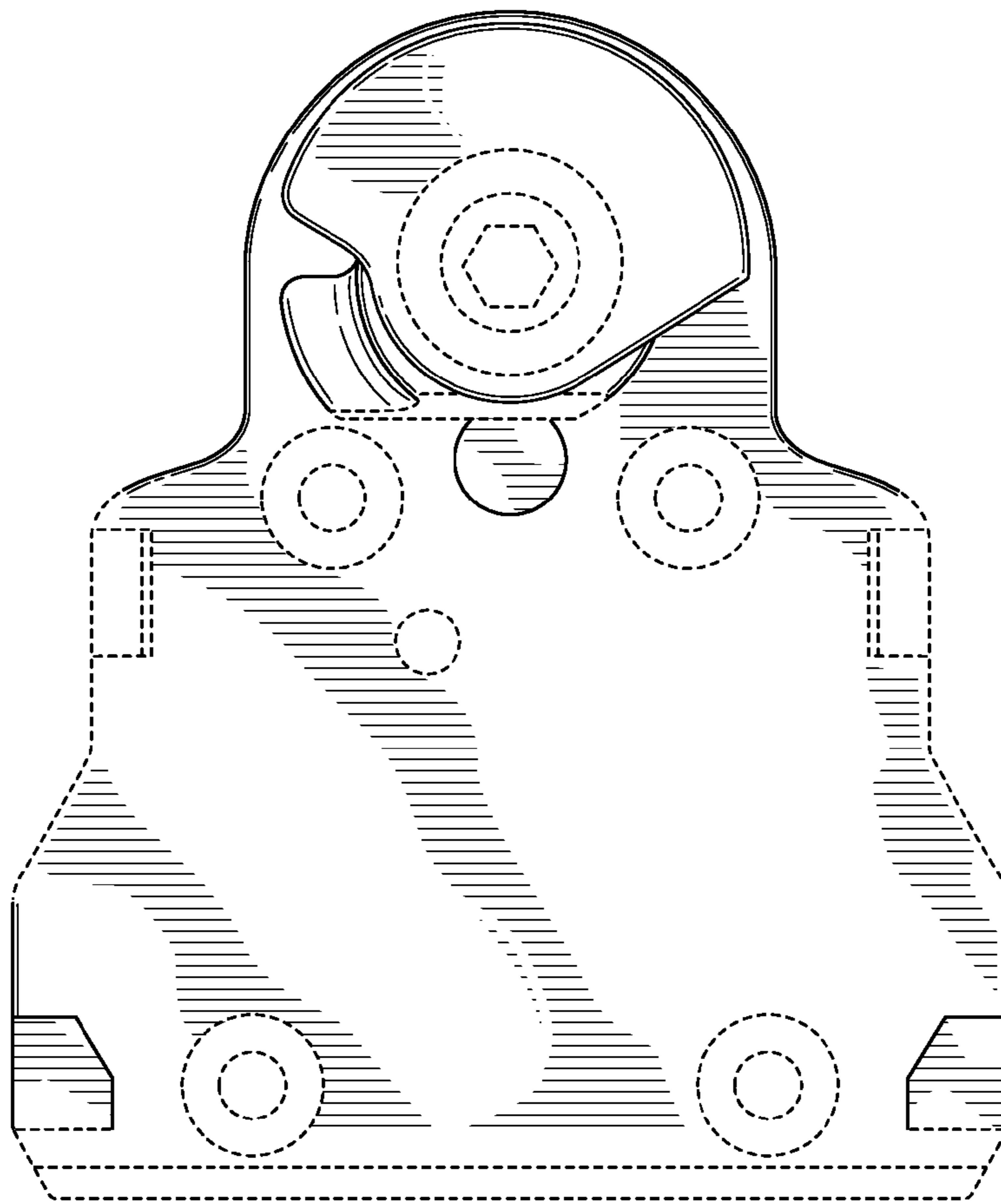


FIG. 11

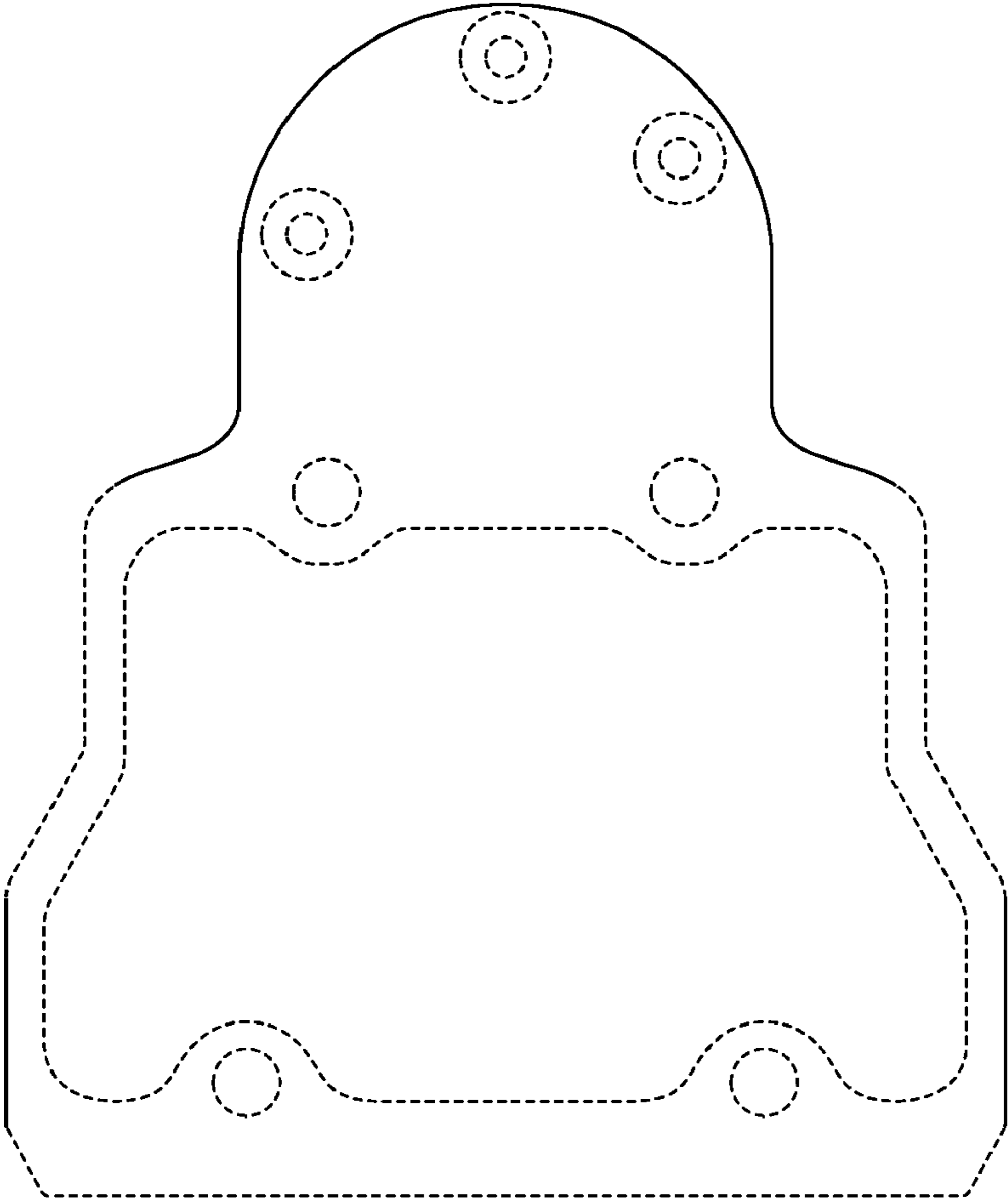


FIG. 12

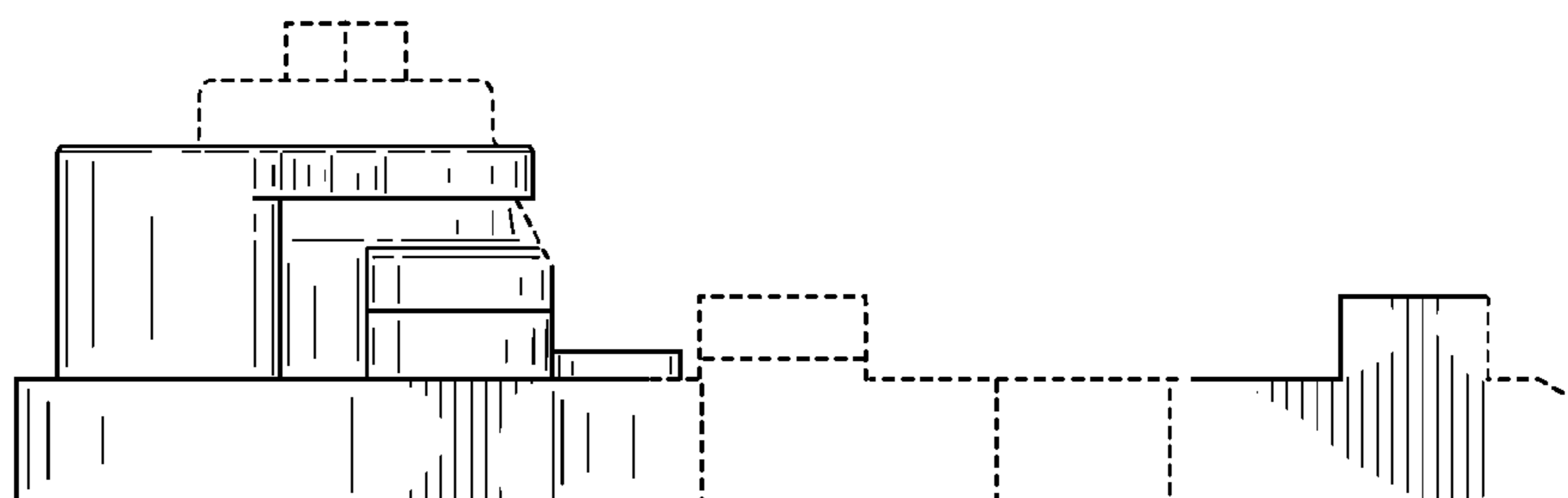


FIG. 13

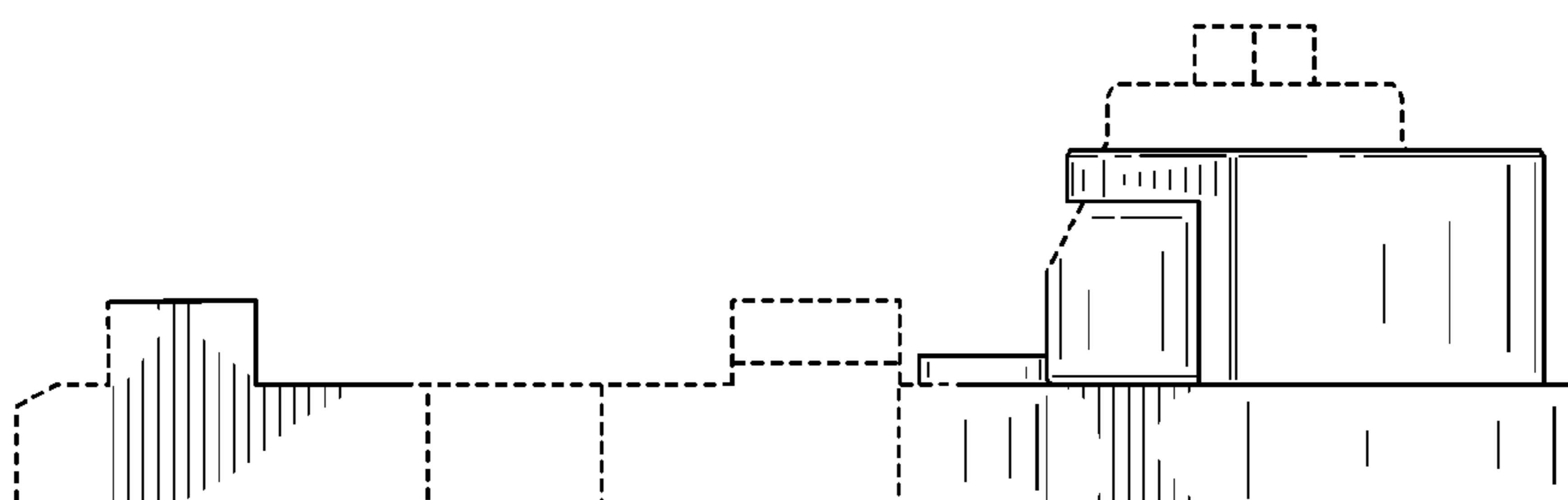


FIG. 14

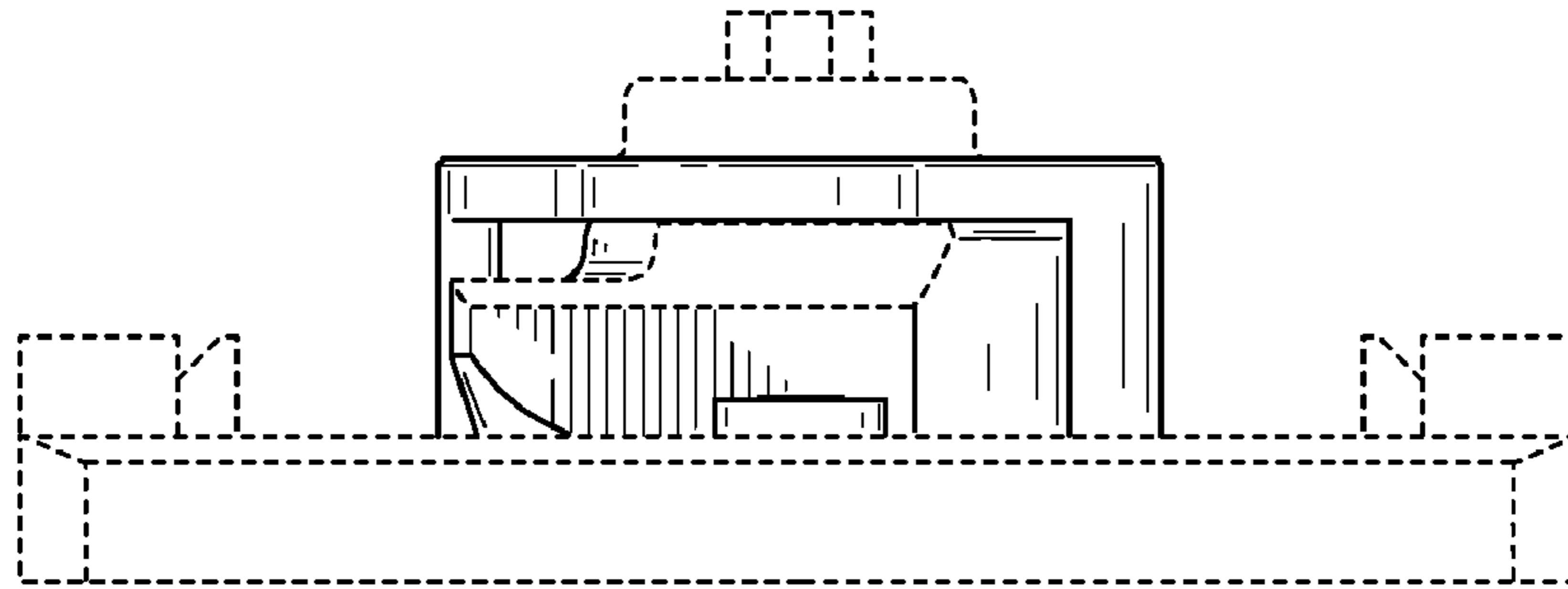


FIG. 15

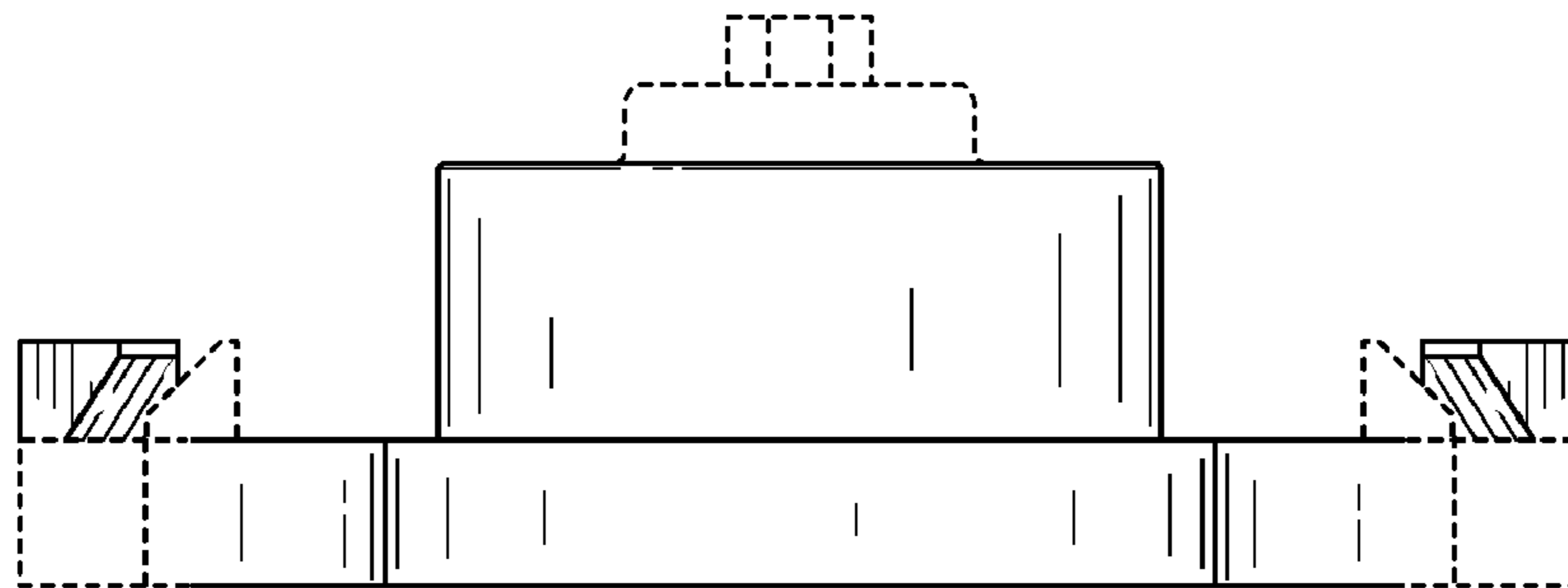


FIG. 16