



US00D656881S

(12) **United States Design Patent**
Beranek et al.

(10) **Patent No.:** **US D656,881 S**

(45) **Date of Patent:** **** Apr. 3, 2012**

(54) **CHOCK**

(75) Inventors: **Richard J. Beranek**, Maple Park, IL (US); **Terry J. Koehn**, Geneva, IL (US); **Michael P. Molitor**, North Aurora, IL (US); **Kevin Stanger**, Belvidere, IL (US); **Edward H. Hahn**, Carol Stream, IL (US)

(73) Assignee: **Miner Elastomer Products Corporation**, Geneva, IL (US)

(**) Term: **14 Years**

(21) Appl. No.: **29/374,546**

(22) Filed: **Aug. 31, 2011**

(51) **LOC (9) Cl.** **12-06**

(52) **U.S. Cl.** **D12/217**

(58) **Field of Classification Search** D12/217,
D12/203, 400, 120, 180, 114; 14/69.5, 71.5;
280/293, 507; 267/139-140; 410/30, 49,
410/9; 211/20; 188/5, 32, 36, 4 R; 186/32,
186/52; 248/346, 352, 221.12, 222.41, 222.51
See application file for complete search history.

(56) **References Cited**

U.S. PATENT DOCUMENTS

D180,922 S * 9/1957 Zikmund D12/217

D215,325 S * 9/1969 Merlo D12/217
D236,612 S * 9/1975 Wetzel D12/217
4,502,816 A * 3/1985 Creter et al. D12/217
D298,823 S * 12/1988 Zutler D12/217
D316,243 S * 4/1991 Henry D12/217
D326,254 S * 5/1992 Ziaylek et al. D12/217
D493,408 S * 7/2004 Chrisco et al. D12/217
D577,651 S * 9/2008 Shaw D12/217
D594,398 S * 6/2009 Tai D12/217
D644,159 S * 8/2011 Marcum D12/217

* cited by examiner

Primary Examiner — Stacia Cadmus

(74) *Attorney, Agent, or Firm* — Law Office of John W. Harbst

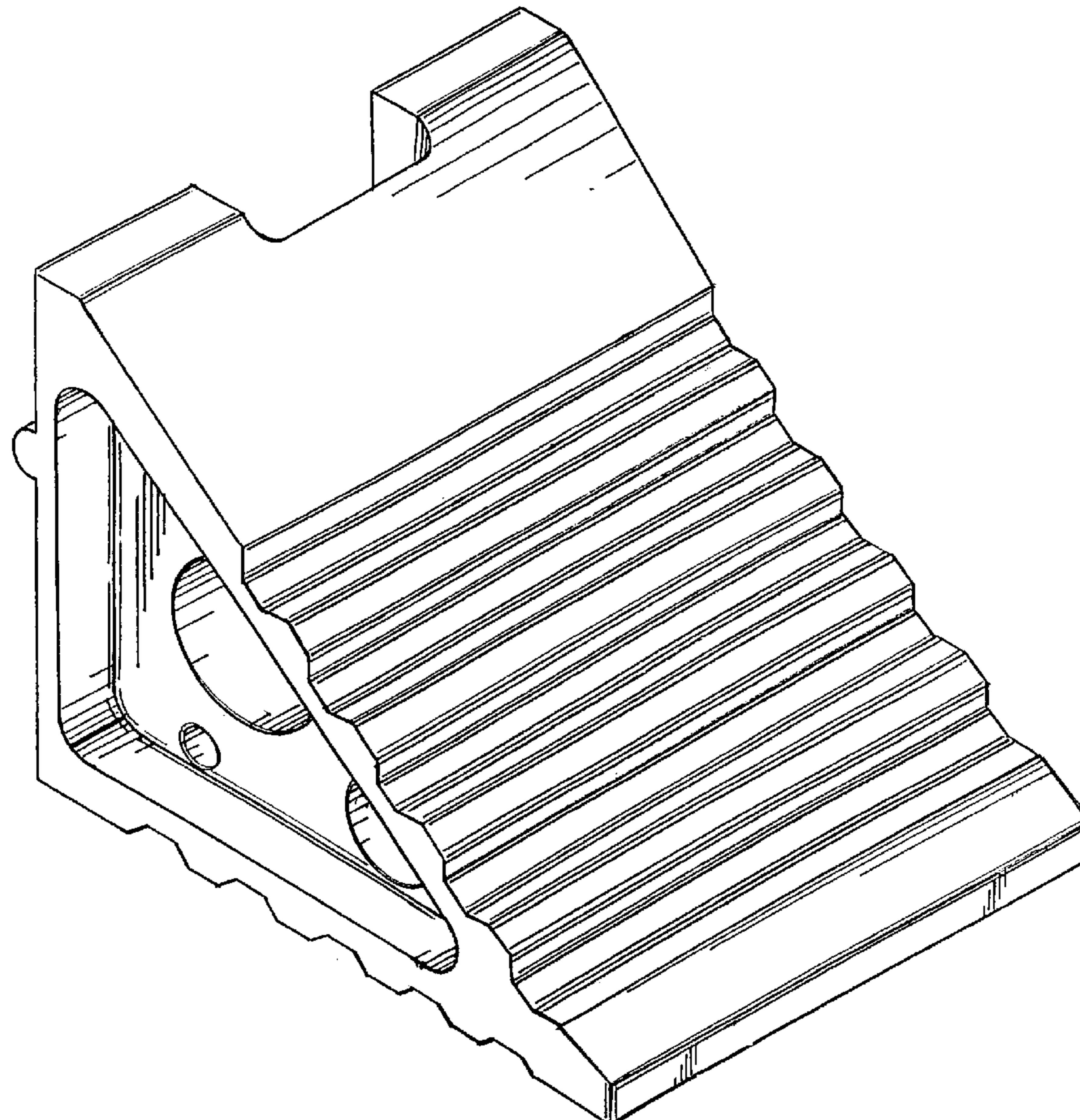
(57) **CLAIM**

The ornamental design for a chock, as shown and described.

DESCRIPTION

FIG. 1 is a upper and left side perspective view of a chock showing our new design;
FIG. 2 is side elevational view thereof;
FIG. 3 is a front elevational view thereof;
FIG. 4 is a rear elevational view thereof;
FIG. 5 is a top plan view thereof; and,
FIG. 6 is a bottom plan view thereof.

1 Claim, 3 Drawing Sheets



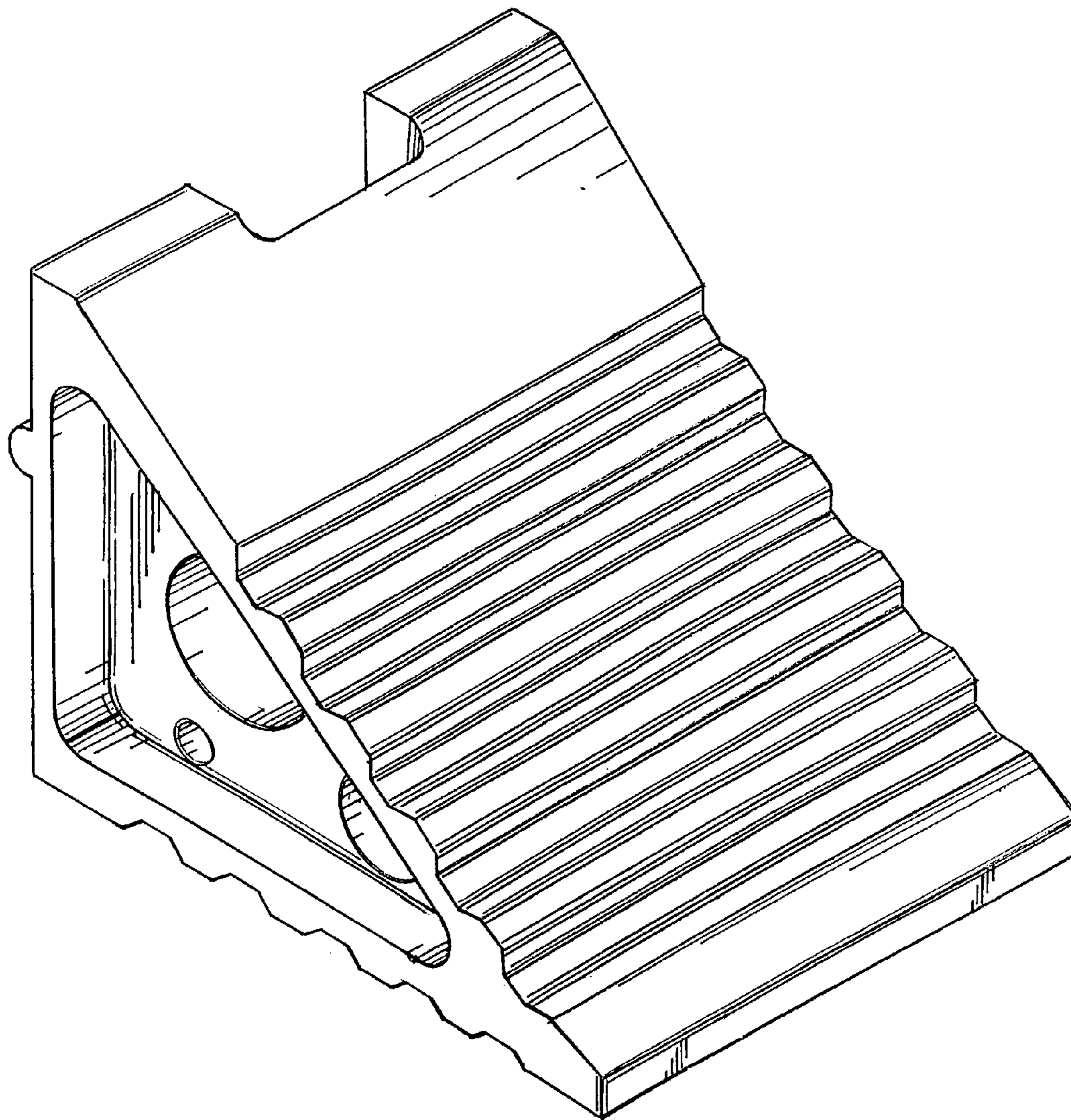


FIG. 1

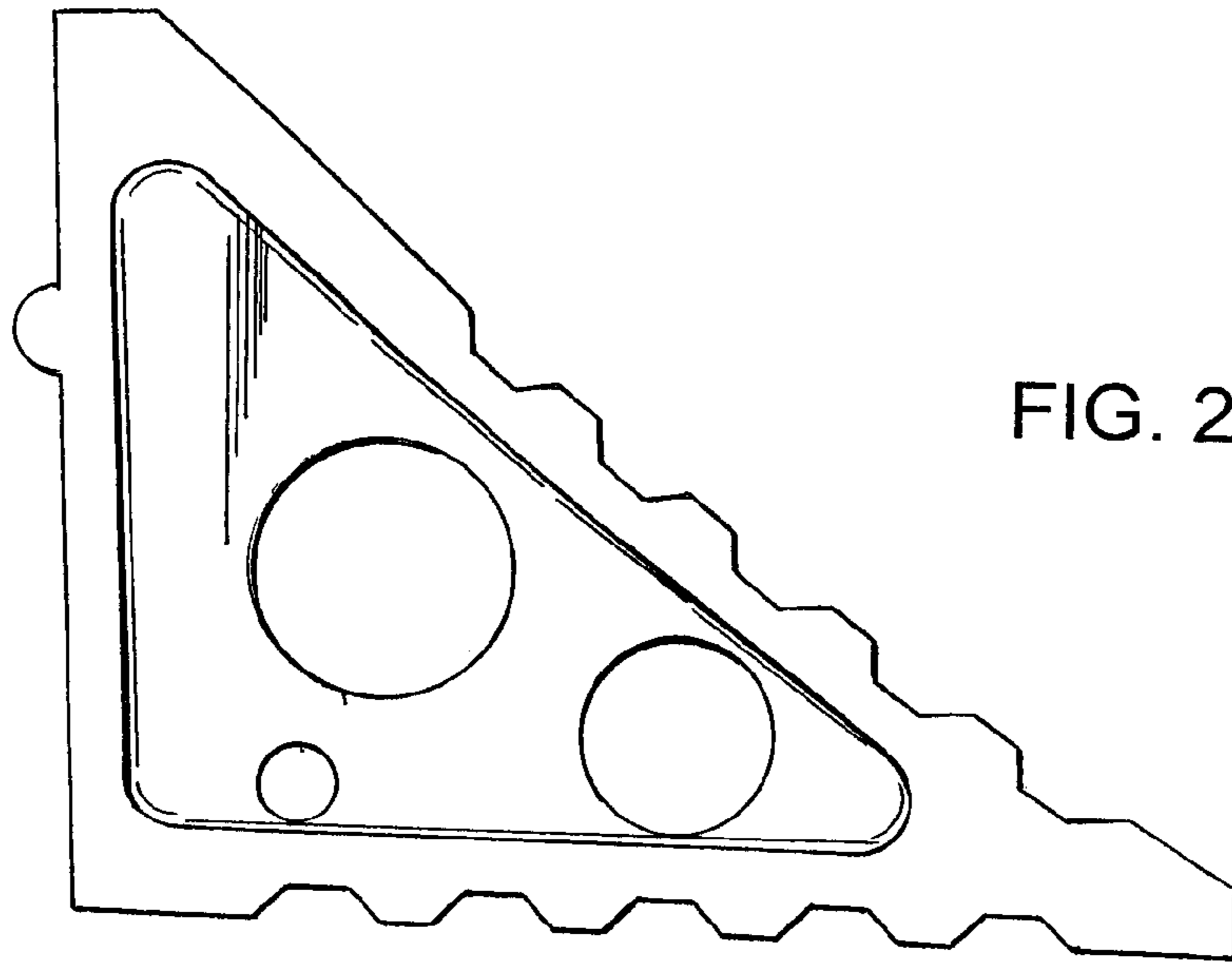


FIG. 2

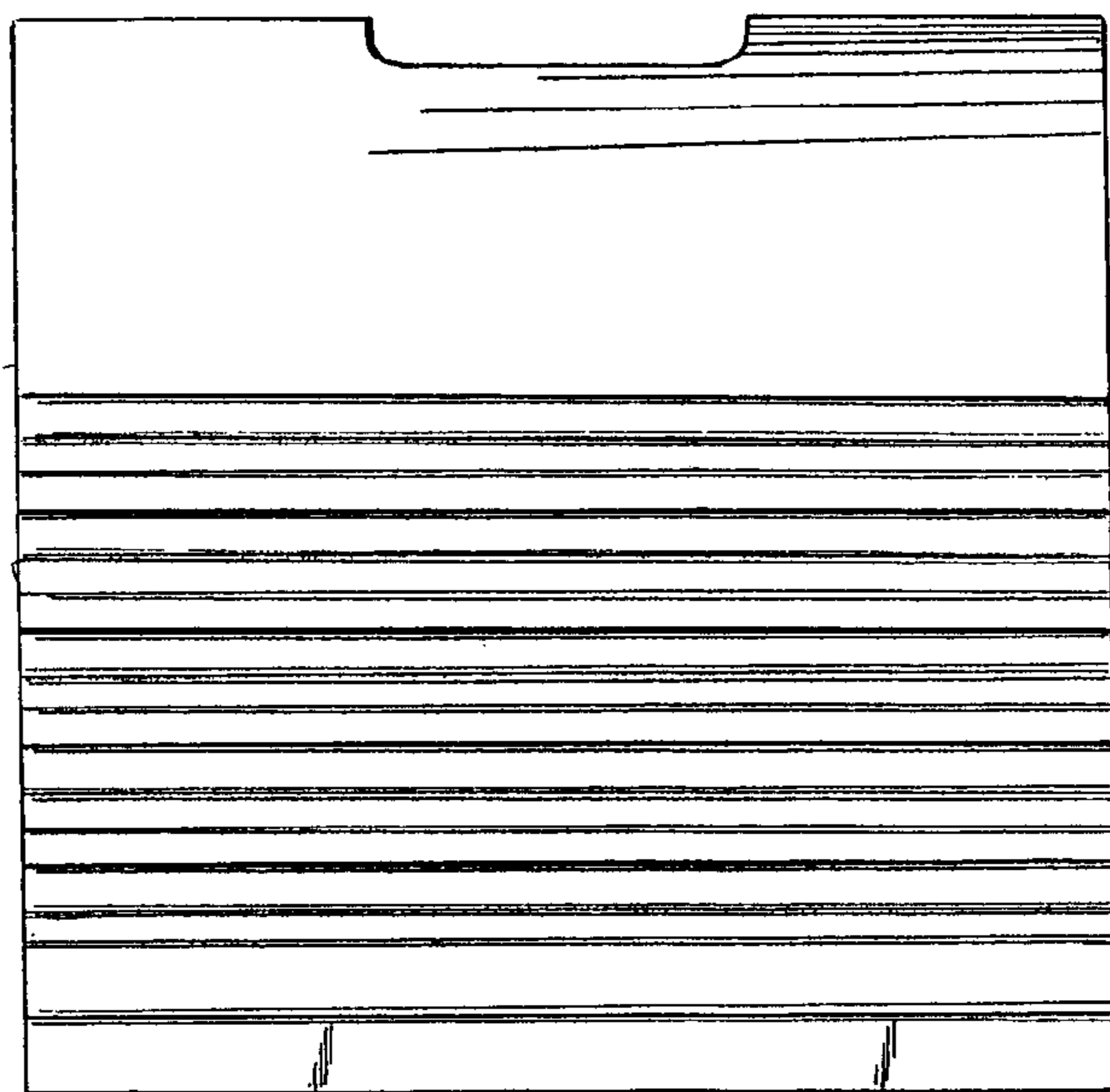


FIG. 3

FIG. 4

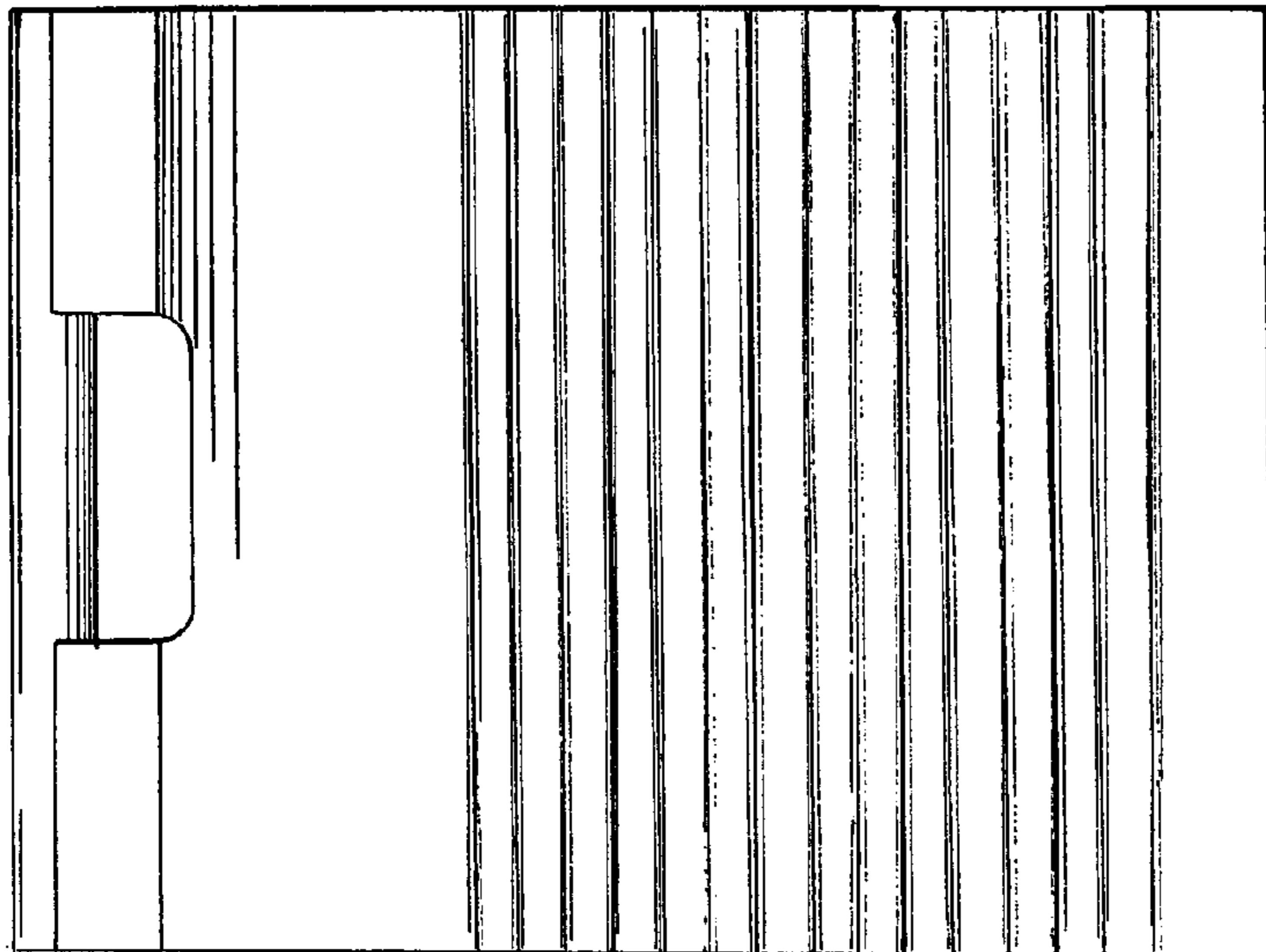
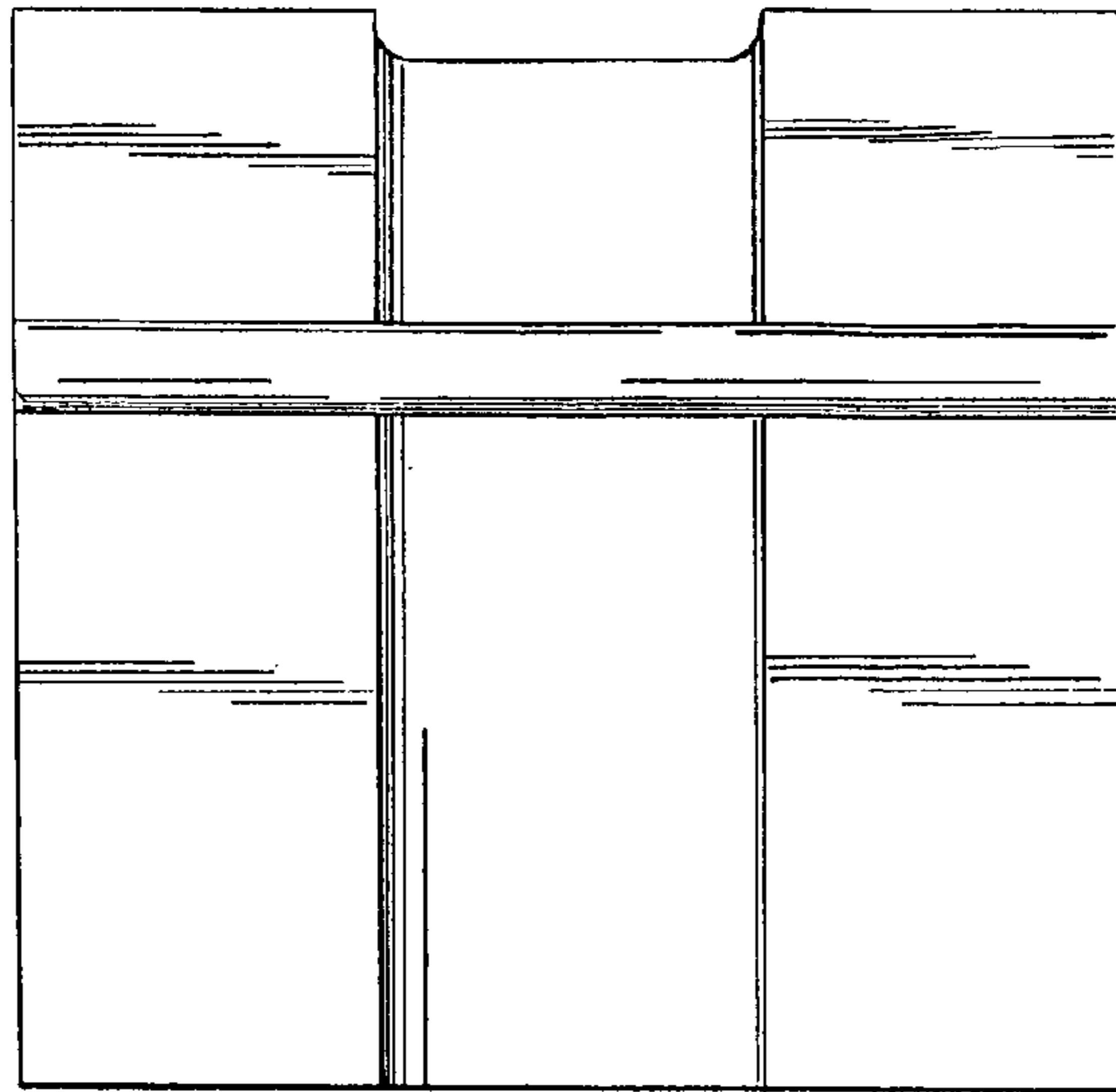


FIG. 5

FIG. 6

