



US00D656880S

(12) **United States Design Patent**
Strangfeld

(10) **Patent No.:** **US D656,880 S**
(45) **Date of Patent:** **** Apr. 3, 2012**

(54) **PADDLE BLADE**

(75) Inventor: **Bruce Strangfeld**, Eau Claire, WI (US)

(73) Assignee: **Ugly Duck Gear, LLC**, Eau Claire, WI (US)

(**) Term: **14 Years**

(21) Appl. No.: **29/354,584**

(22) Filed: **Jan. 26, 2010**

(51) **LOC (9) Cl.** **12-06**

(52) **U.S. Cl.** **D12/215**

(58) **Field of Classification Search** D12/214,
D12/215, 317; D23/370, 378, 413; 416/17,
416/74; 441/56, 60-64; 440/13, 15, 19,
440/101; D21/804

See application file for complete search history.

(56) **References Cited**

U.S. PATENT DOCUMENTS

678,193	A *	7/1901	Peterson	440/19
1,083,595	A *	1/1914	Crawford	441/56
2,779,077	A *	1/1957	Kline	441/64
2,898,611	A *	8/1959	Mooney	441/60
2,980,926	A *	4/1961	Wolshin	441/64
D224,983	S *	10/1972	Bolden, Jr.	D12/215
3,800,734	A	4/1974	Whang	
4,250,584	A *	2/1981	Korn	441/61
4,264,994	A *	5/1981	Carbone	441/56
D260,254	S *	8/1981	Heller	D12/215
4,302,194	A	11/1981	Perales	
4,303,402	A	12/1981	Gooding	
4,810,217	A *	3/1989	Bell	440/13
5,348,503	A	9/1994	Fechtner	
D370,657	S *	6/1996	Block, Jr.	D12/317
6,241,567	B1 *	6/2001	Evans	441/64
6,514,109	B1	2/2003	Carlow	
6,755,706	B1	6/2004	Lin	
6,814,640	B1	11/2004	Houck	
7,037,151	B1	5/2006	Fan	
7,309,364	B1	12/2007	Wagenknecht et al.	

7,488,228	B2	2/2009	Scott	
2002/0061690	A1 *	5/2002	Evans	441/64
2005/0101200	A1	5/2005	Townsend	
2009/0004935	A1	1/2009	Branovits	
2010/0009580	A1	1/2010	Escobar	

FOREIGN PATENT DOCUMENTS

WO WO 2009/077778 6/2009

* cited by examiner

Primary Examiner — Susan E Krakower

(74) *Attorney, Agent, or Firm* — Patterson Thunte Christensen Pedersen, P.A.

(57) **CLAIM**

I claim the ornamental design for a paddle blade, as shown and described.

DESCRIPTION

FIG. 1 is a front elevational view of a paddle blade according to the invention.

FIG. 2 is a left side elevational view of a paddle blade according to the invention.

FIG. 3 is a right side elevational view of a paddle blade according to the invention.

FIG. 4 is a top plan view of a paddle blade according to the invention.

FIG. 5 is a bottom plan view of a paddle blade according to the invention.

FIG. 6 is a back elevational view of a paddle blade according to the invention; and,

FIG. 7 is a perspective view of a paddle blade according to the invention.

The broken lines showing the paddle handle, shaft, and attachment to the paddle blade illustrate environmental structure which forms no part of the claimed design. Additionally, broken lines representing patterns on the face of the paddle blade also illustrate environmental structure that forms no part of the claimed design.

1 Claim, 4 Drawing Sheets

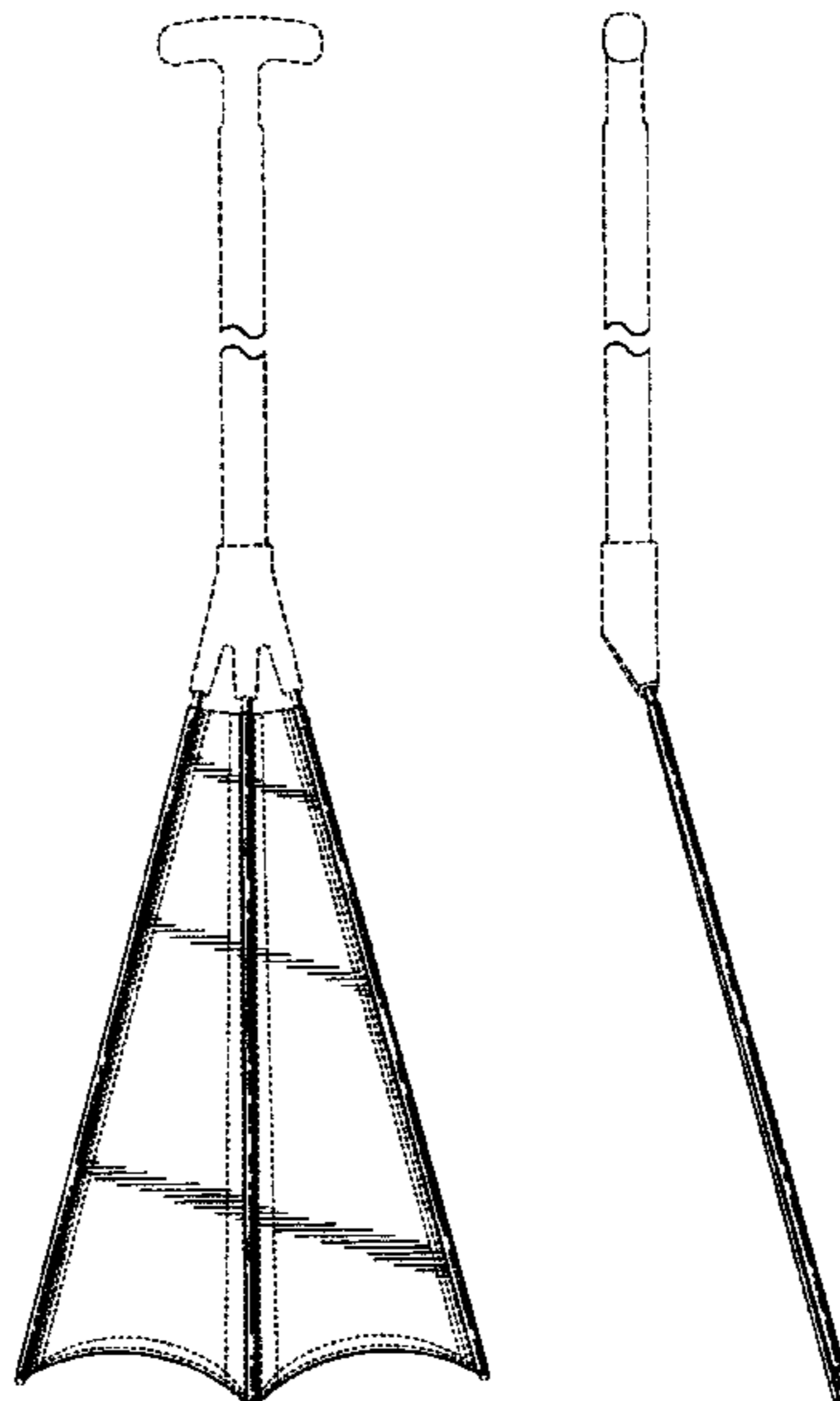


Fig. 1

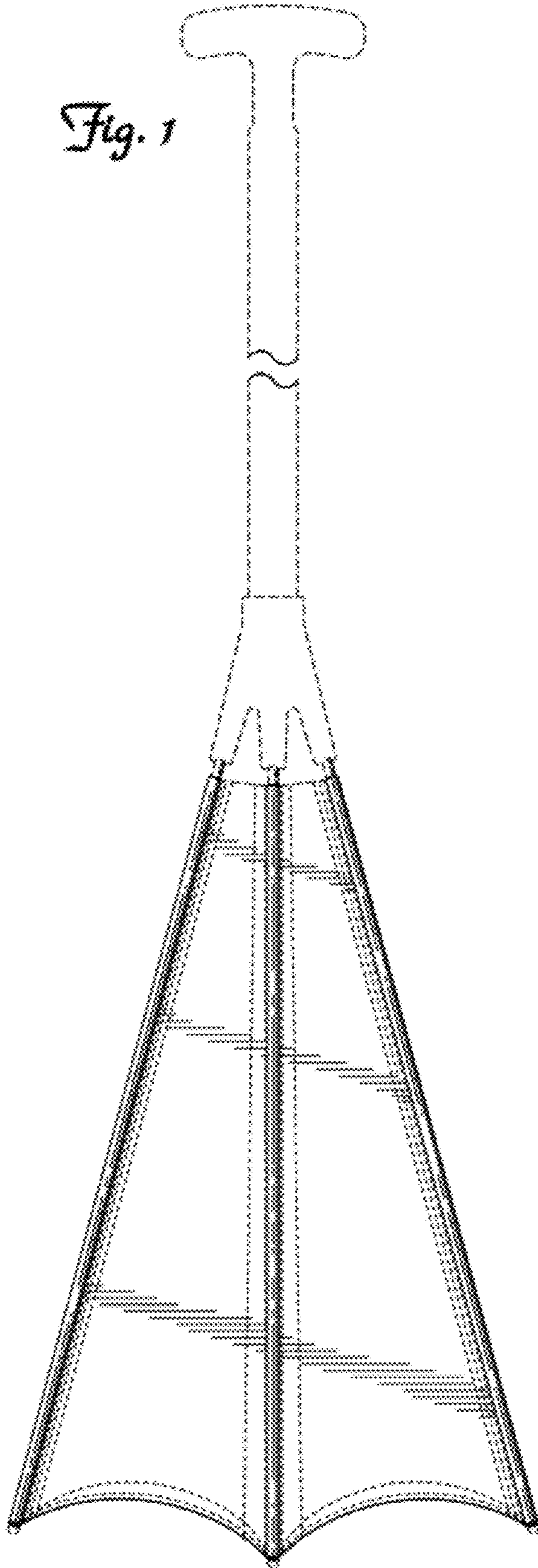


Fig. 2

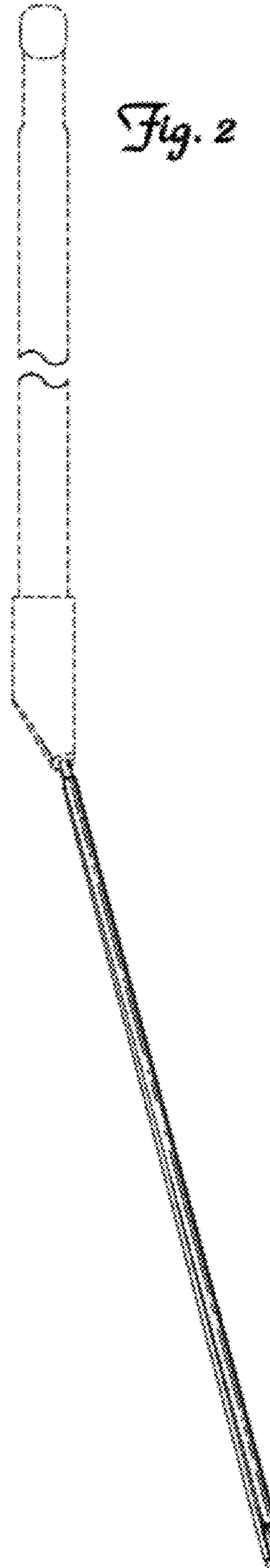


Fig. 3

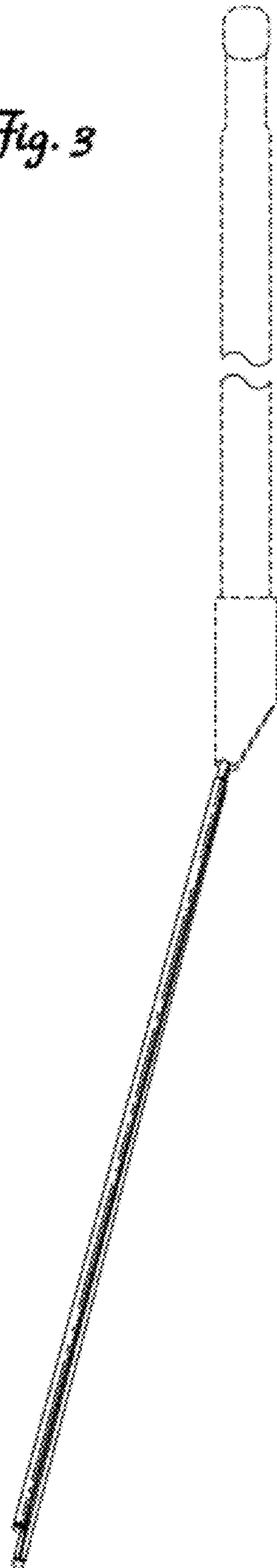


Fig. 4

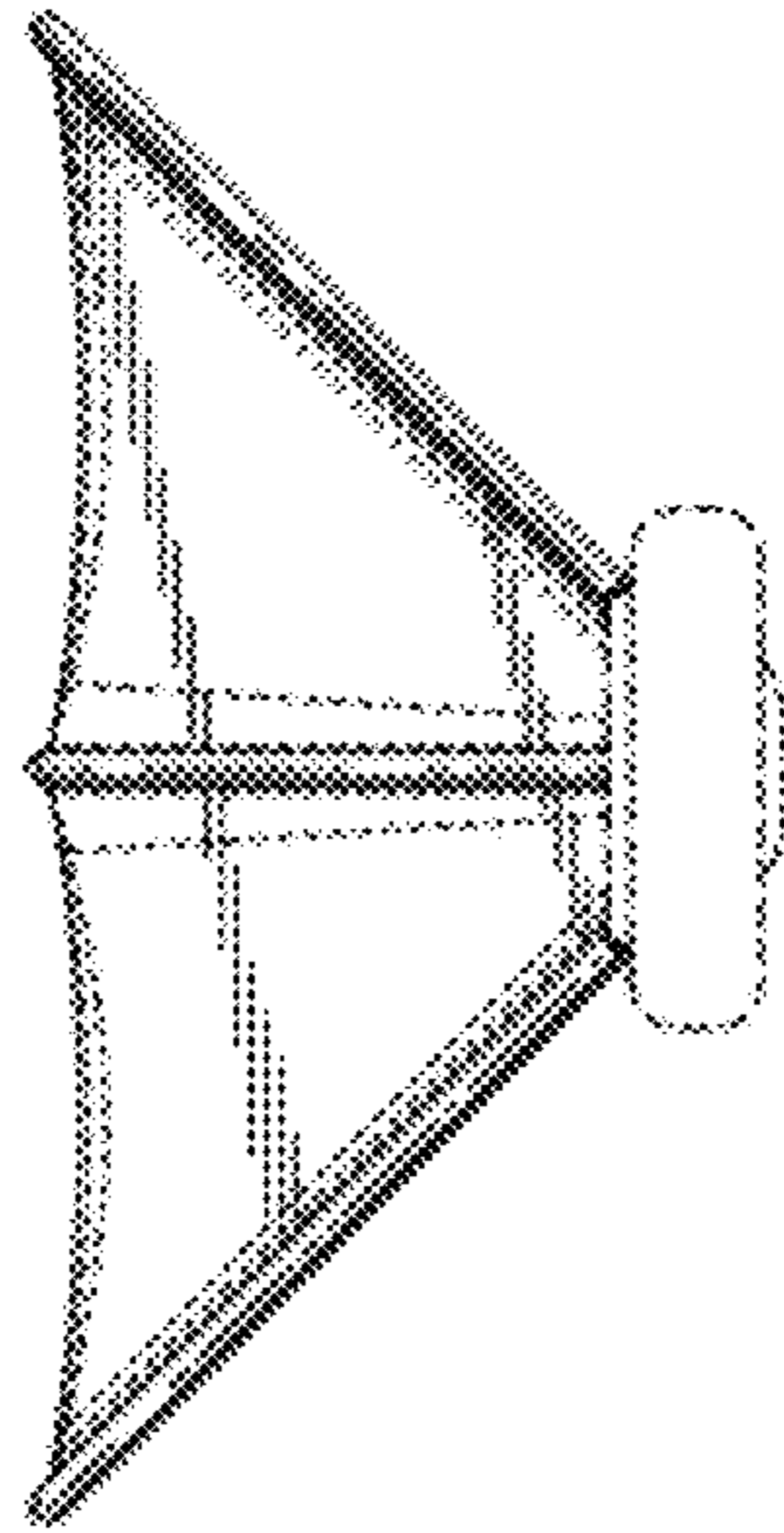


Fig. 5

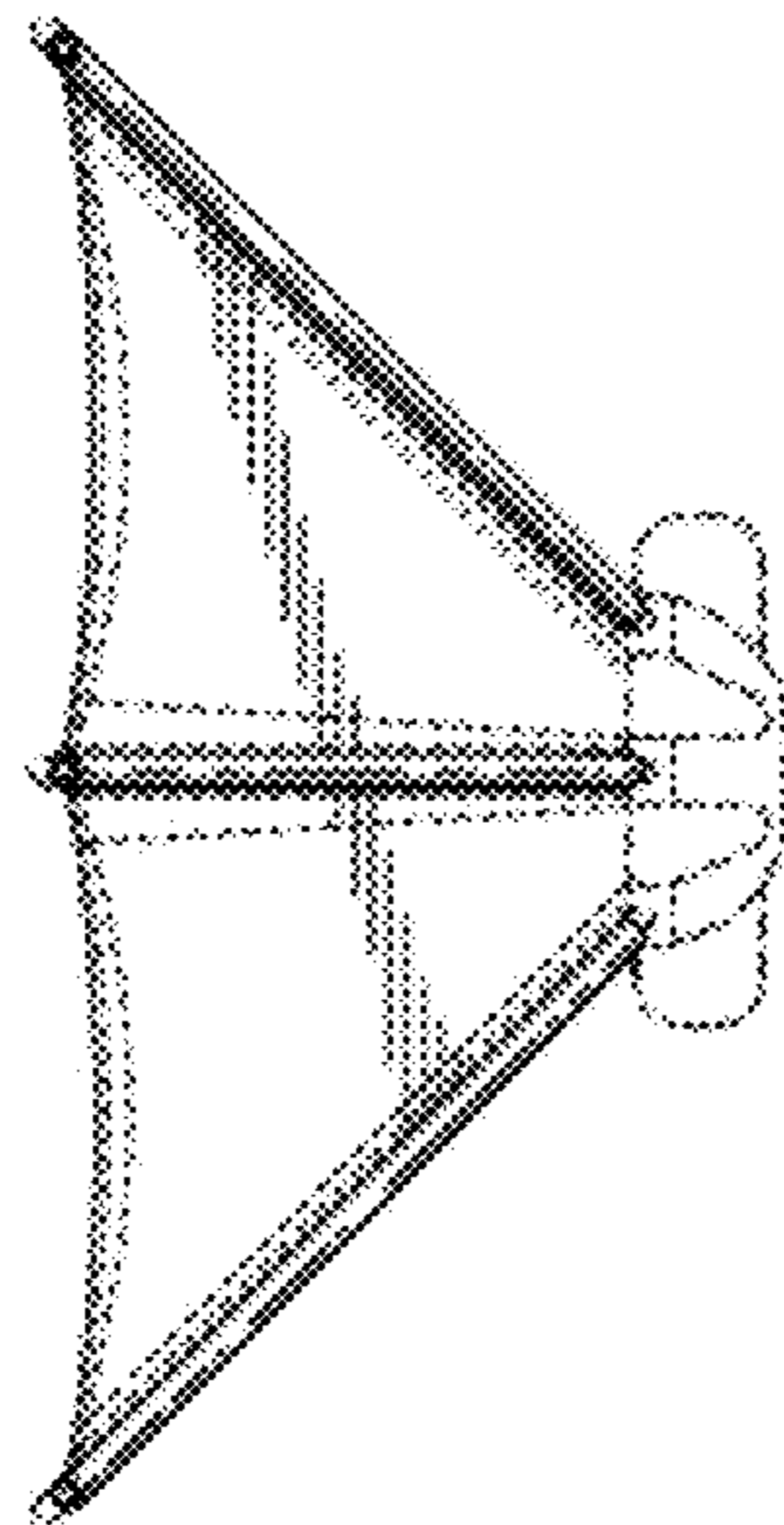


Fig. 6

