



US00D656877S

(12) **United States Design Patent**  
**Ikeda et al.**

(10) **Patent No.:** **US D656,877 S**

(45) **Date of Patent:** **\*\* Apr. 3, 2012**

(54) **VEHICLE WHEEL**

(75) Inventors: **Morio Ikeda**, Sao Paulo (BR); **Wagner M. Dias**, Santo Andre (BR); **Helio F. Maciel De Queiroz**, São Caetano do Sul (BR)

(73) Assignee: **GM Global Technology Operations LLC**, Detroit, MI (US)

(\*\*) Term: **14 Years**

(21) Appl. No.: **29/394,117**

(22) Filed: **Jun. 13, 2011**

(51) **LOC (9) Cl.** ..... **12-16**

(52) **U.S. Cl.** ..... **D12/209**

(58) **Field of Classification Search** ..... D12/204-213;  
301/37.101, 64.101, 65, 64.201

See application file for complete search history.

(56) **References Cited**

**U.S. PATENT DOCUMENTS**

D414,156 S \* 9/1999 Gilles ..... D12/211  
D468,251 S \* 1/2003 Chung ..... D12/211  
D475,337 S \* 6/2003 Kataoka ..... D12/209

D504,380 S \* 4/2005 Kushartanto ..... D12/209  
D531,560 S \* 11/2006 Looho ..... D12/209  
D617,712 S \* 6/2010 Juergens et al. .... D12/209  
D617,716 S \* 6/2010 Lamm et al. .... D12/211  
D633,025 S \* 2/2011 Matei et al. .... D12/209  
D641,679 S \* 7/2011 Vardis ..... D12/211

\* cited by examiner

*Primary Examiner* — Stacia Cadmus

(74) *Attorney, Agent, or Firm* — Parks IP Law LLC; Mickki D. Murray

(57) **CLAIM**

The ornamental design for a vehicle wheel, as shown and described.

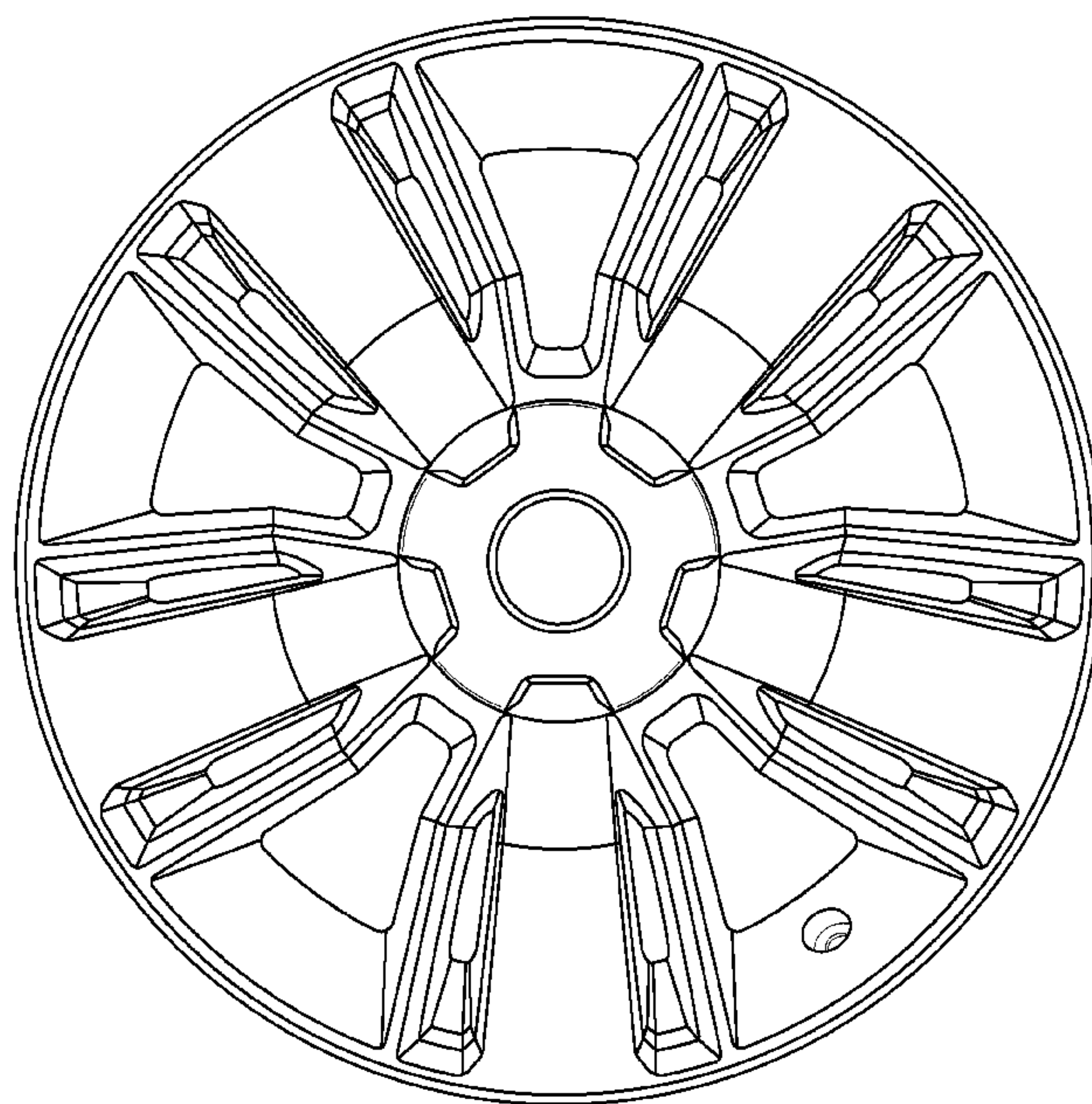
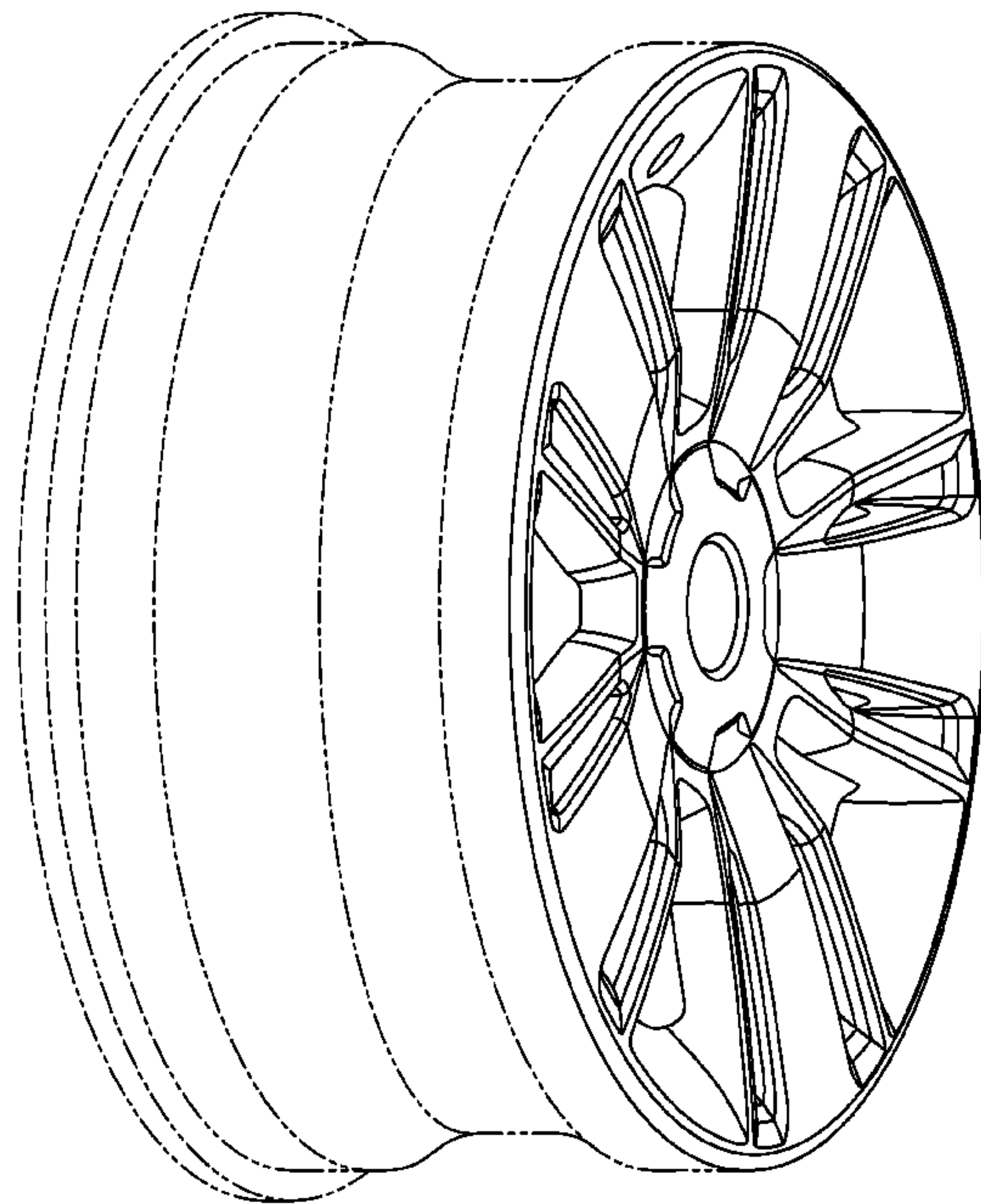
**DESCRIPTION**

FIG. 1 is perspective of a vehicle wheel showing the new design; and,

FIG. 2 is a front view, thereof.

The broken line showing of the rear portion of the wheel is included for the purpose of illustrating environment and forms no part of the claimed design.

**1 Claim, 2 Drawing Sheets**



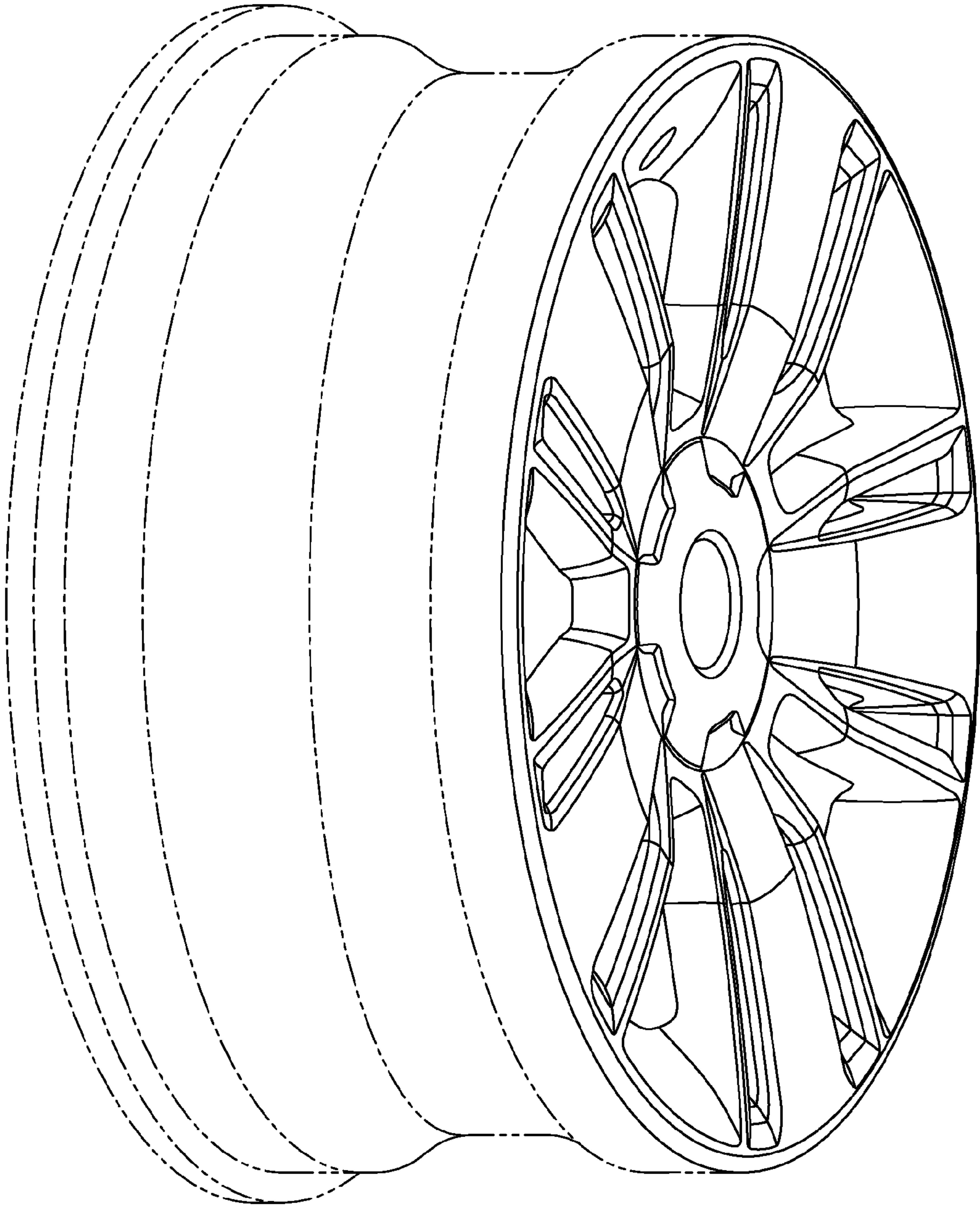


Fig-1

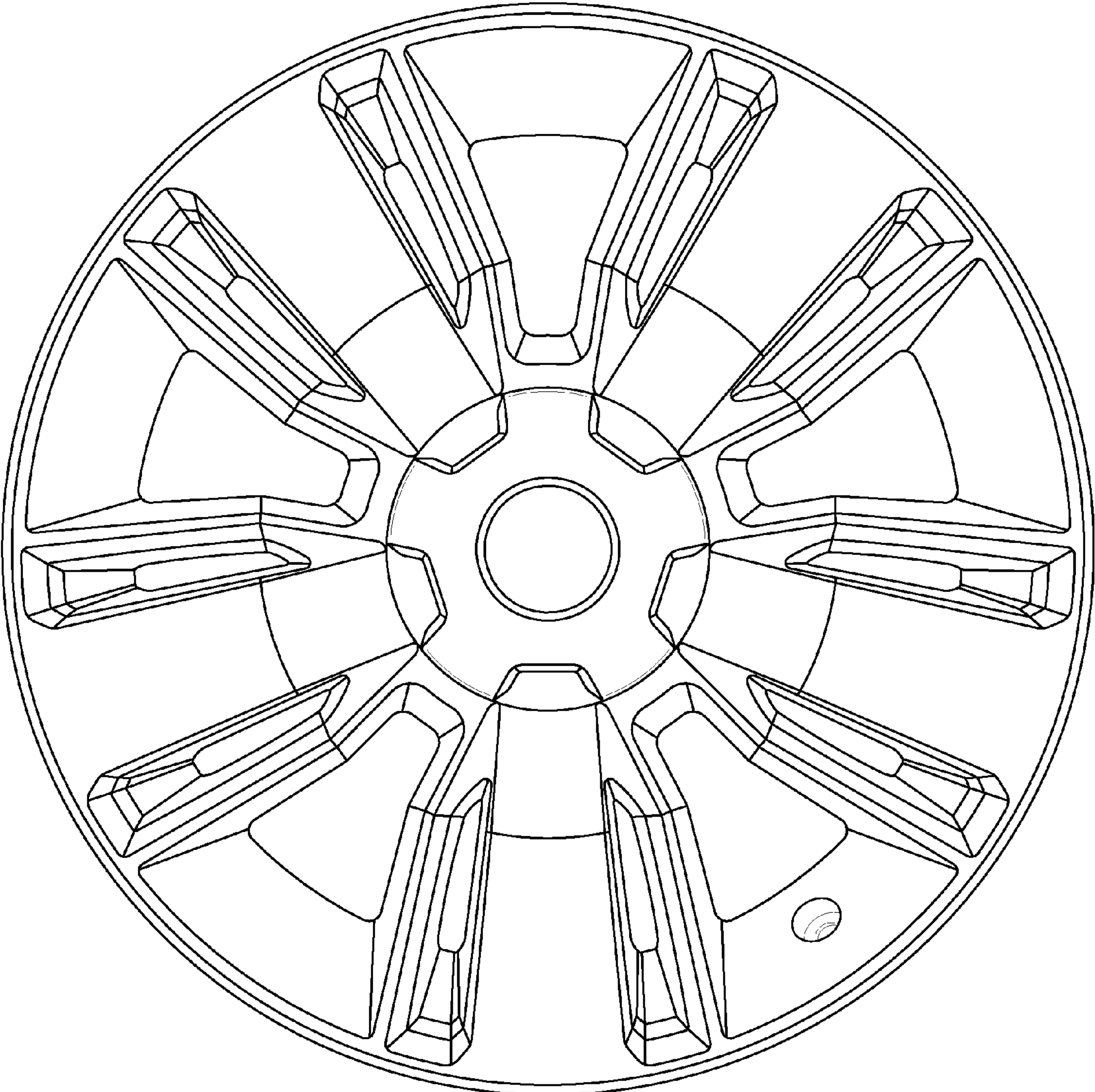


Fig-2