



US00D656876S

(12) **United States Design Patent**  
**Perdue**

(10) **Patent No.:** **US D656,876 S**

(45) **Date of Patent:** **\*\* Apr. 3, 2012**

(54) **WHEEL FACE SIMULATING OFF CENTER ROTATION**

D551,608 S \* 9/2007 Humphrey et al. .... D12/204  
7,901,012 B1 \* 3/2011 Perdue ..... 301/5.1  
D637,542 S \* 5/2011 Johnson ..... D12/209  
8,025,343 B1 \* 9/2011 Perdue ..... 301/5.1

(76) Inventor: **Jesse Thomas Perdue**, Erin, TN (US)

\* cited by examiner

(\*\*) Term: **14 Years**

*Primary Examiner* — Stacia Cadmus

(21) Appl. No.: **29/370,200**

(74) *Attorney, Agent, or Firm* — David D. Winters

(22) Filed: **Jun. 15, 2010**

(51) **LOC (9) Cl.** ..... **12-16**

(57) **CLAIM**

(52) **U.S. Cl.** ..... **D12/204**

The ornamental design for “wheel face simulating off center rotation,” as shown and described.

(58) **Field of Classification Search** ..... D12/204–213;  
301/37.101, 64.101, 65, 64.201, 5.1, 95.109

See application file for complete search history.

**DESCRIPTION**

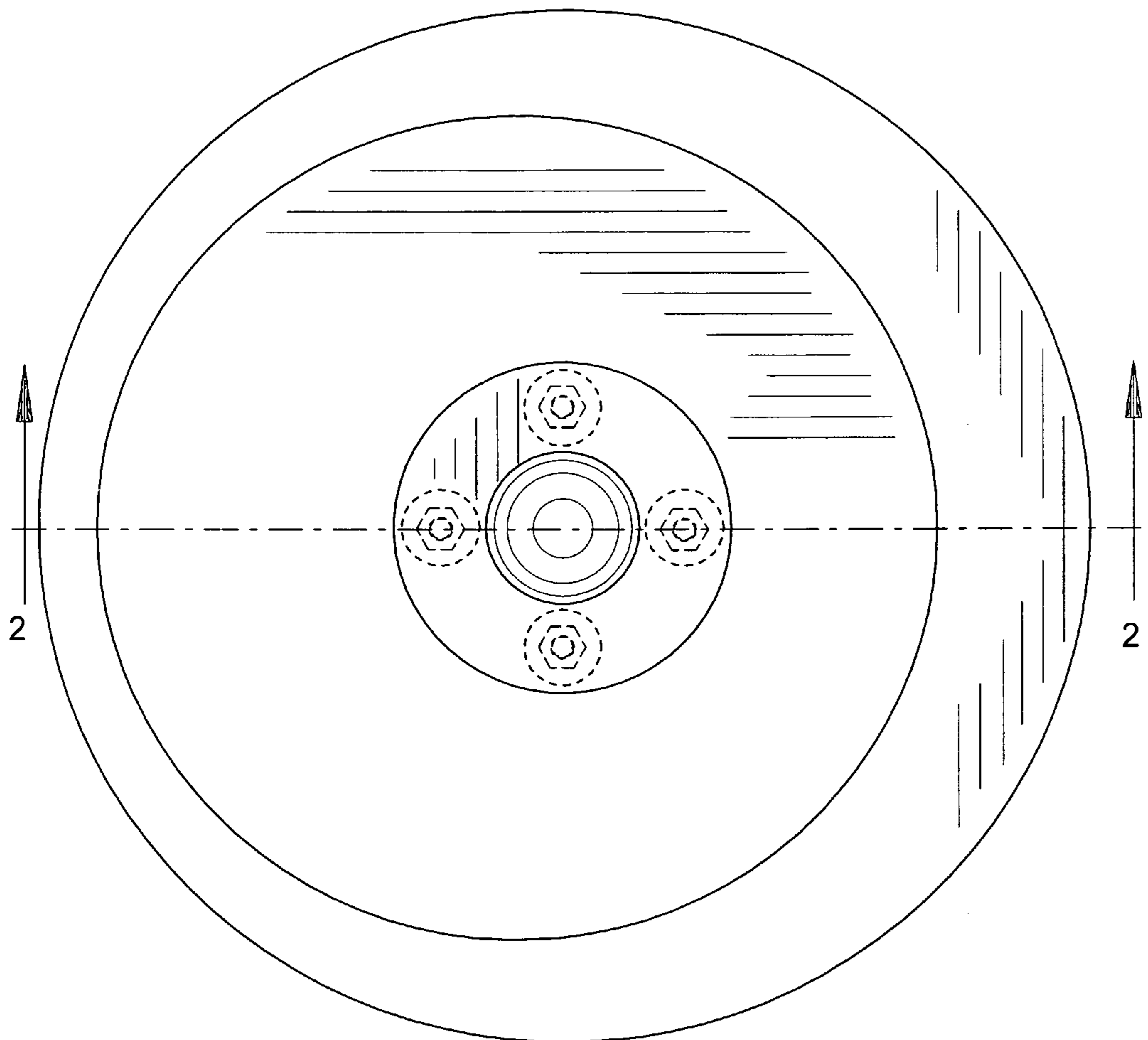
(56) **References Cited**

FIG. 1 is a front view of a front face of the Wheel face simulating off center rotation; and, FIG. 2 is a cross sectional view taken along lines 2-2 in FIG. 1. The broken lines in the drawings are for the purpose of illustrating environment and form no part of the claimed design.

**U.S. PATENT DOCUMENTS**

D84,896 S *	8/1931	Loewy	.....	D12/204
D351,371 S *	10/1994	Abele	.....	D12/209
D421,589 S *	3/2000	Trubiano	.....	D12/204
D501,171 S *	1/2005	Muro	.....	D12/209
D510,897 S *	10/2005	Barnes	.....	D12/204

**1 Claim, 2 Drawing Sheets**



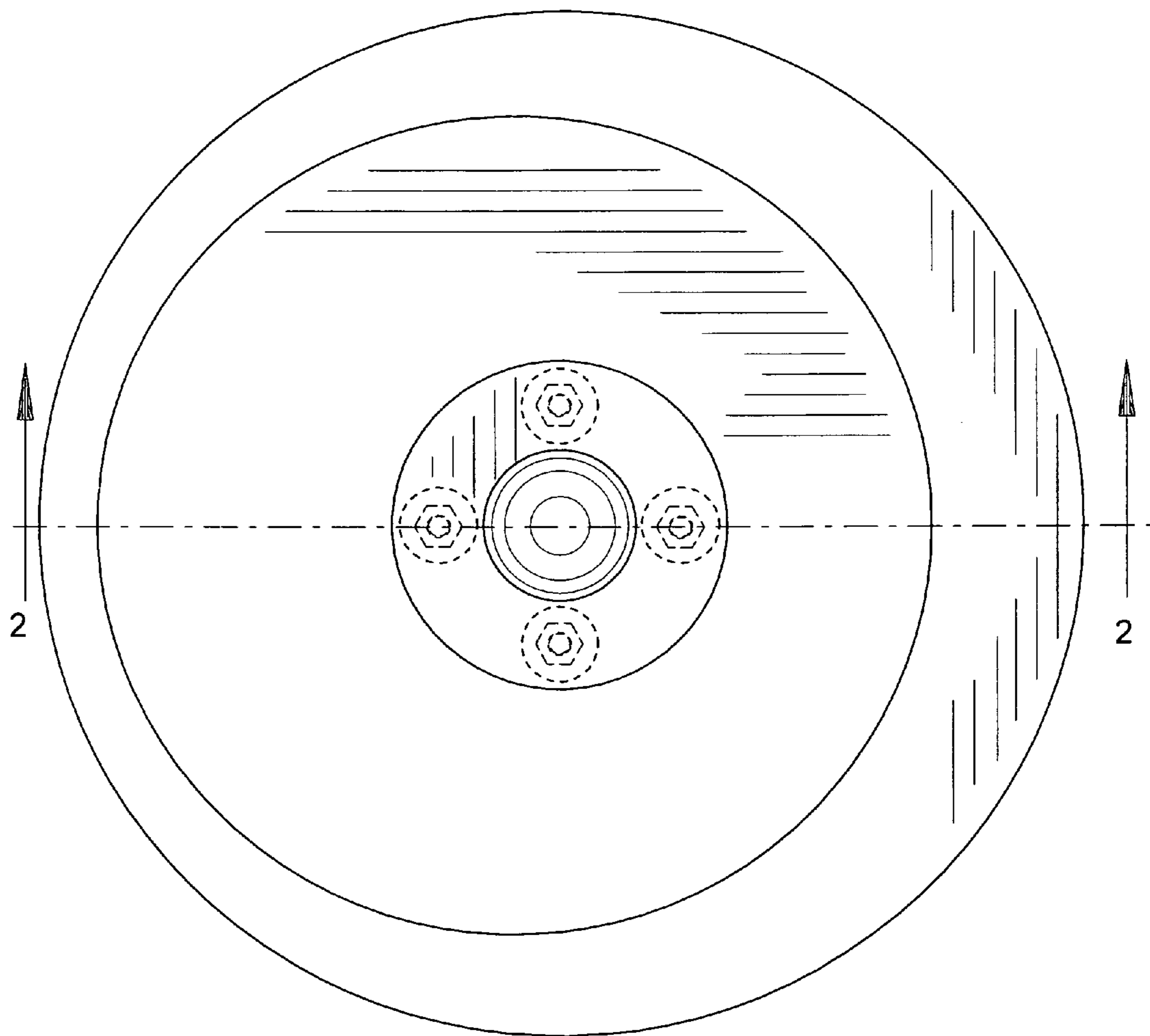


Fig. 1

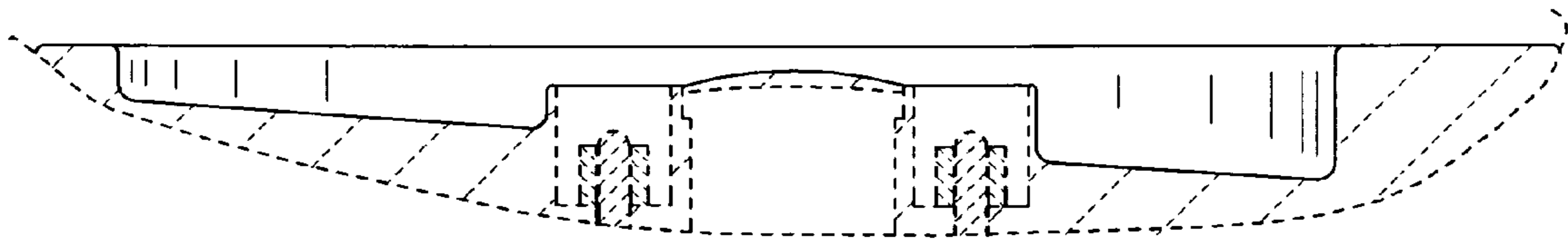


Fig. 2