



US00D656873S

(12) **United States Design Patent**  
**Barnhart**

(10) **Patent No.:** **US D656,873 S**

(45) **Date of Patent:** **\*\* Apr. 3, 2012**

(54) **RUNNING BOARD**

(75) Inventor: **Greg Barnhart**, Oklahoma City, OK  
(US)

(73) Assignee: **Phoenix Design & Manufacturing LLC**, Oklahoma City, OK (US)

(\*\*) Term: **14 Years**

(21) Appl. No.: **29/399,134**

(22) Filed: **Aug. 10, 2011**

(51) **LOC (9) Cl.** ..... **12-16**

(52) **U.S. Cl.** ..... **D12/203**

(58) **Field of Classification Search** ..... D12/203,  
D12/162, 400, 114; D25/62, 69, 119-124;  
182/90-92, 150; 280/163-169, 414.1-414.3,  
280/847-848; 248/214

See application file for complete search history.

(56) **References Cited**

**U.S. PATENT DOCUMENTS**

D257,532 S *	11/1980	Okland	.....	D12/203
D291,077 S *	7/1987	Parno	.....	D12/203
D302,967 S *	8/1989	Bowdoin	.....	D12/203
D318,039 S *	7/1991	Flores	.....	D12/203
D324,668 S *	3/1992	Anderson	.....	D12/203
D436,336 S *	1/2001	Sadr	.....	D12/203
D504,857 S *	5/2005	Yang	.....	D12/203
D546,259 S *	7/2007	Metros et al.	.....	D12/203
D549,145 S *	8/2007	Kieffer et al.	.....	D12/203
D560,151 S *	1/2008	Jeffries	.....	D12/203

D568,221 S *	5/2008	Cord et al.	.....	D12/203
D595,630 S *	7/2009	McPherson et al.	.....	D12/203
D632,627 S *	2/2011	Huang-Tsai	.....	D12/203

\* cited by examiner

*Primary Examiner* — Stacia Cadmus

(74) *Attorney, Agent, or Firm* — Mitchell K. McCarthy

(57) **CLAIM**

The ornamental design for a running board, as shown and described.

**DESCRIPTION**

FIG. 1 is an isometric view of my ornamental design for a running board.

FIG. 2 is a top plan view of the design of FIG. 1.

FIG. 3 is a bottom plan view of the design of FIG. 1.

FIG. 4 is a front elevational view of the design of FIG. 1.

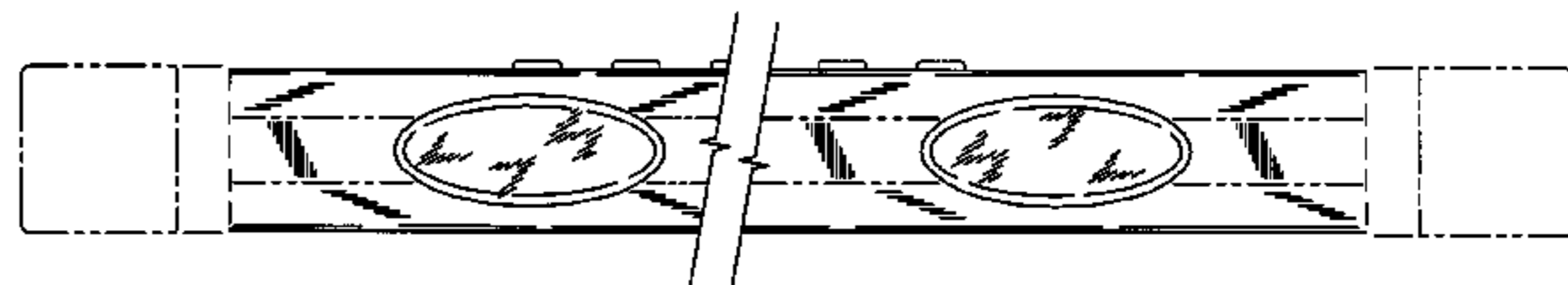
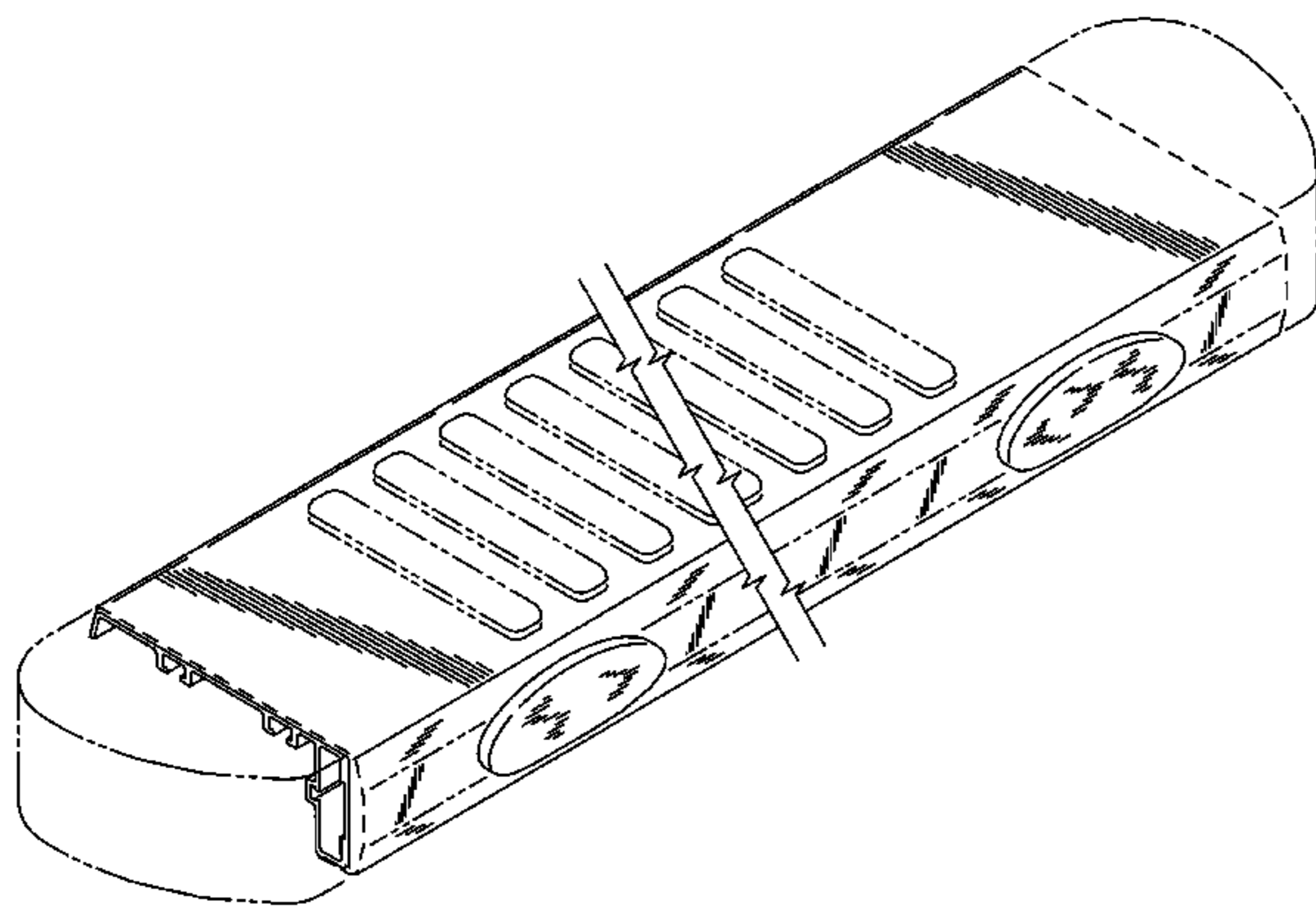
FIG. 5 is a rear elevational view of the design of FIG. 1.

FIG. 6 is a right side elevational view of the design of FIG. 1; and,

FIG. 7 is a left side elevational view of the design of FIG. 1.

The broken lines in these drawings serve to illustrate the environment in which the claimed design is associated or serve to define the bounds of the claimed design. The broken lines with dashes of uniform length denote boundaries, and the broken lines with dot-dashes of varying lengths denote environment. The broken lines form no part of the claimed design. The running board is shown broken away in the middle of FIGS. 1-5 to indicate no specific length.

**1 Claim, 4 Drawing Sheets**



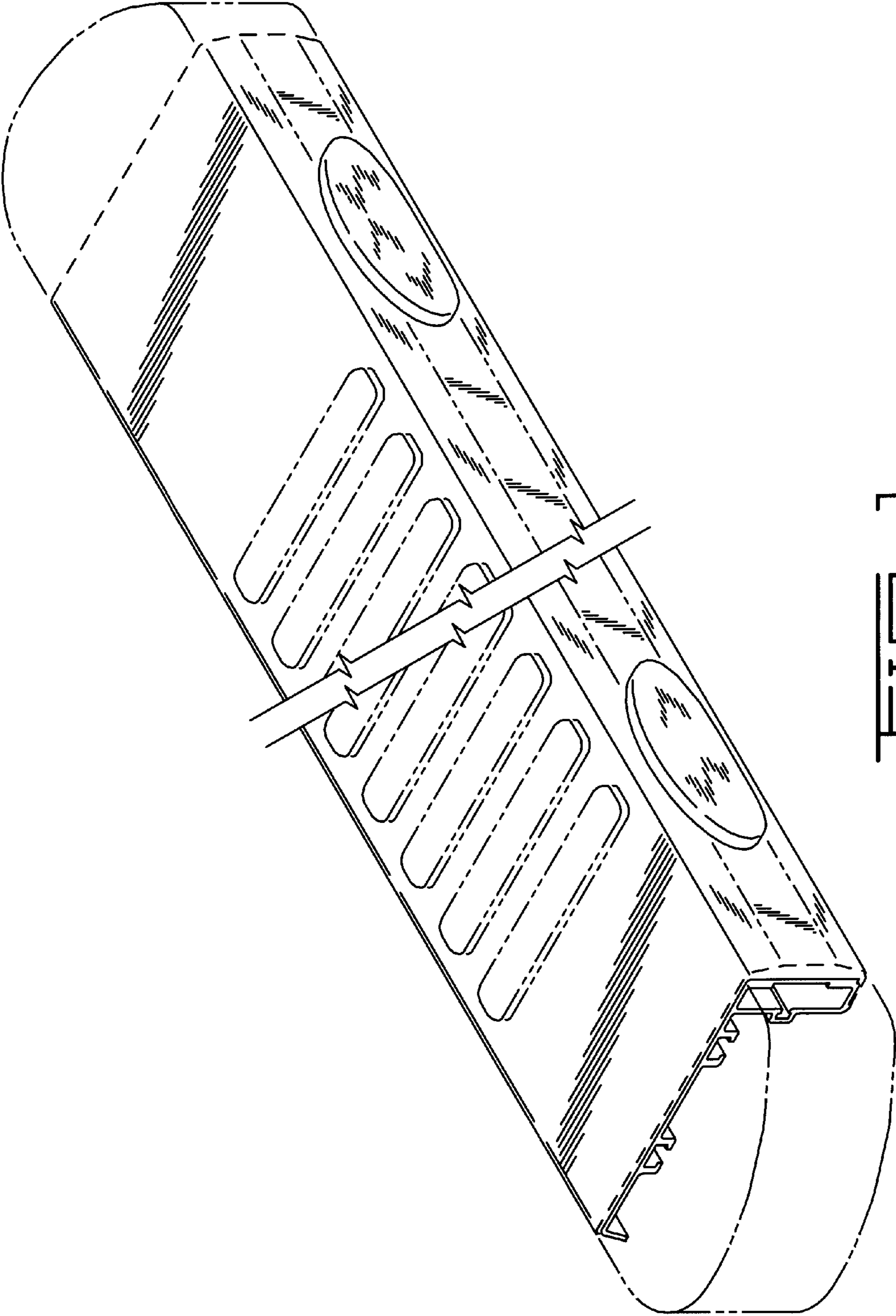


FIG. 1

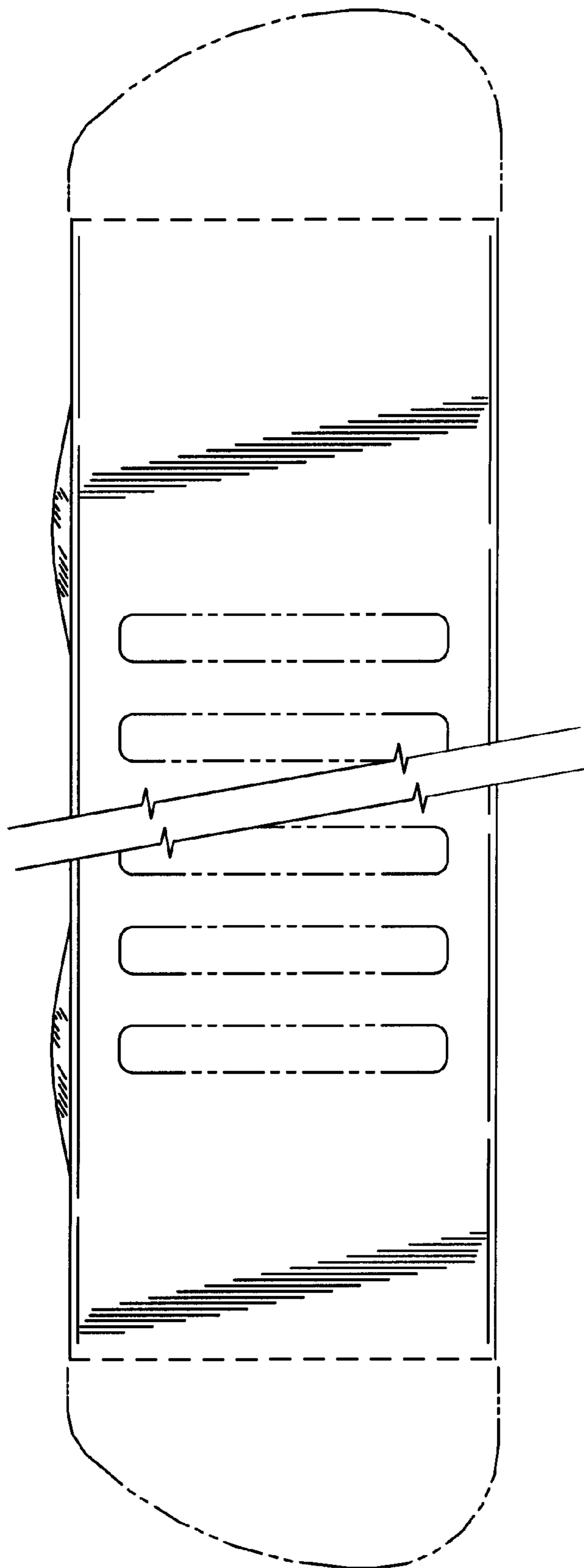


FIG. 2

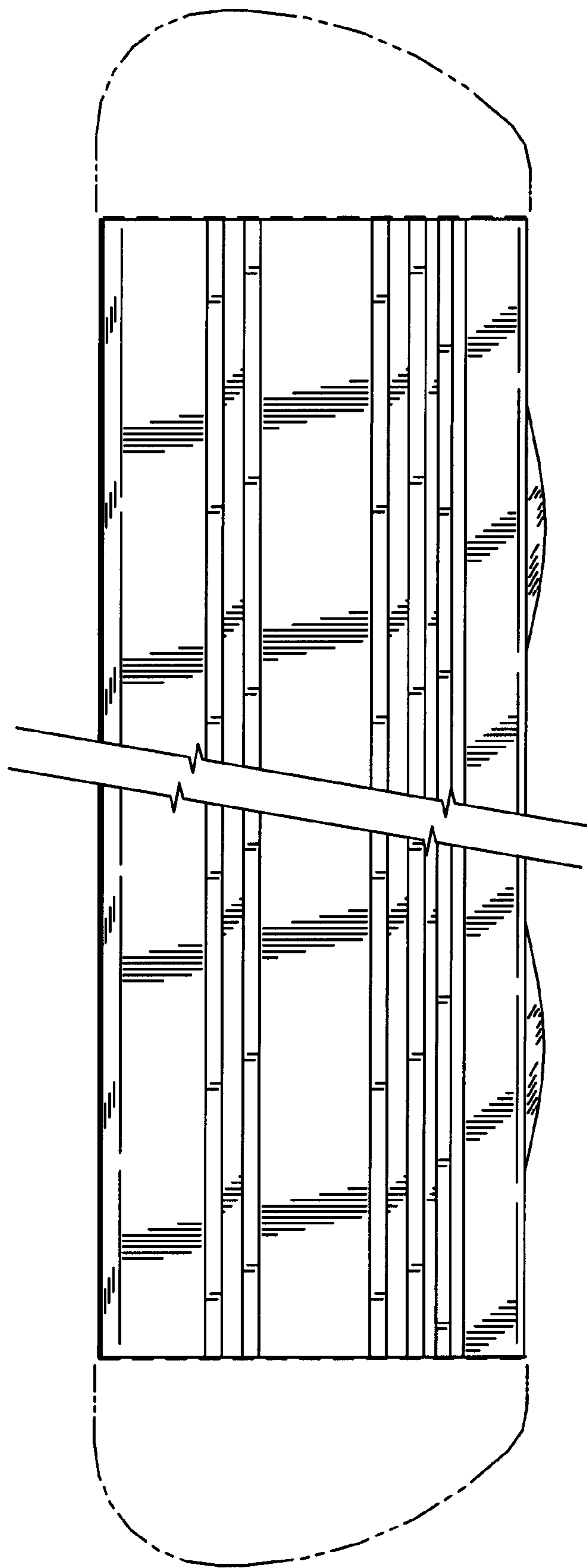


FIG. 3

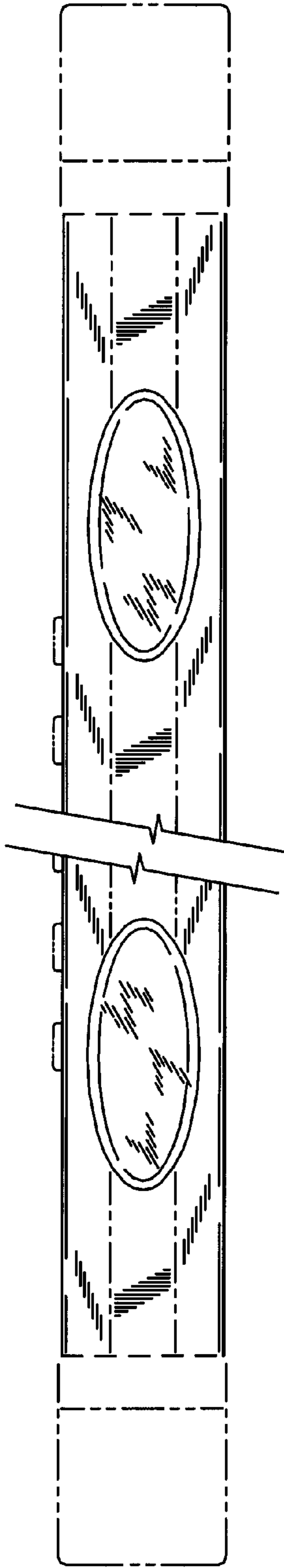


FIG. 4

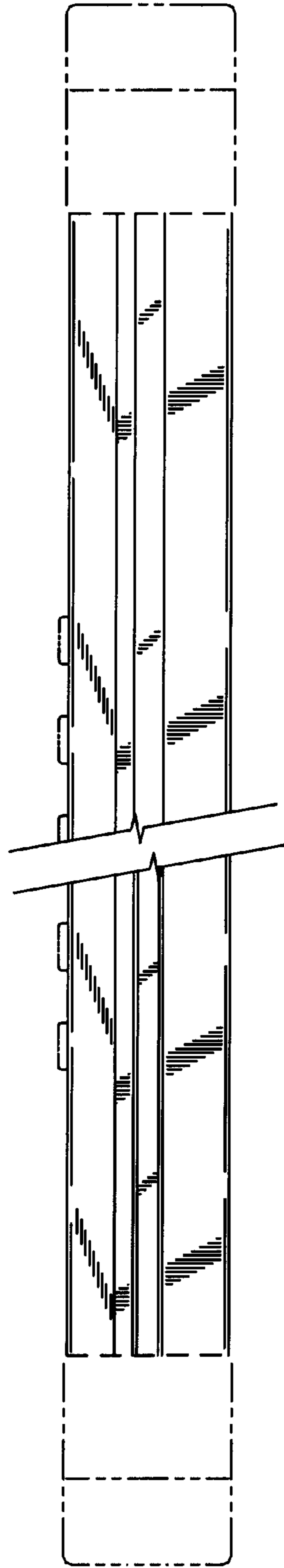


FIG. 5



FIG. 6

FIG. 6