



US00D656870S

(12) **United States Design Patent**  
**Hakamata et al.**

(10) **Patent No.:** **US D656,870 S**  
(45) **Date of Patent:** **\*\* Apr. 3, 2012**

(54) **FRONT PORTION OF AN AUTOMOBILE**

(75) Inventors: **Hiroaki Hakamata**, Toyota (JP);  
**Satoshi Kimura**, Nagoya (JP);  
**Yukinobu Morioka**, Ikeda (JP)

(73) Assignee: **Toyota Jidosha Kabushiki Kaisha**,  
Toyota-shi (JP)

(\*\*) Term: **14 Years**

(21) Appl. No.: **29/388,400**

(22) Filed: **Mar. 29, 2011**

(51) **LOC (9) Cl.** ..... **12-16**

(52) **U.S. Cl.** ..... **D12/164**

(58) **Field of Classification Search** ..... D12/86,  
D12/90-92, 164; D21/424, 433, 434; 296/181.1,  
296/181.5

See application file for complete search history.

(56) **References Cited**

U.S. PATENT DOCUMENTS

D479,491 S	9/2003	Kato et al.	
D525,564 S	7/2006	Akamine et al.	
D525,910 S	8/2006	Sugiura et al.	
D563,275 S	3/2008	Kim et al.	
D563,832 S *	3/2008	Suga et al.	D12/90
D564,412 S *	3/2008	Suga et al.	D12/91
D572,628 S *	7/2008	Nakajima	D12/90
D574,751 S *	8/2008	Fukui et al.	D12/91
D575,678 S	8/2008	Matsumoto et al.	
D596,989 S *	7/2009	Nakajima	D12/90
D601,454 S *	10/2009	Kamimura et al.	D12/91
D610,039 S *	2/2010	Koide et al.	D12/90
D619,503 S	7/2010	Ishibashi et al.	
D619,510 S	7/2010	Suzuki et al.	
D633,008 S *	2/2011	Nakamura et al.	D12/90
D635,058 S *	3/2011	Neuchi et al.	D12/91
D640,601 S *	6/2011	Kumai et al.	D12/91
D640,612 S *	6/2011	Kumai et al.	D12/164

D640,958 S	7/2011	Yokoi et al.	
D642,093 S	7/2011	Kubo et al.	
D644,583 S *	9/2011	Kubo et al.	D12/196
D649,093 S *	11/2011	Yokoi et al.	D12/164

OTHER PUBLICATIONS

Website: URL:<http://catalog.carsensorlab.net/mazda/mpv>, Mazda MPV, Date: Jan. 2008.

Website: URL:<http://www.three2tango.com/car-and-bike-corner/toyota-avanza-the-mini-innova-coming-to-india.html>, Toyota Avanza, Date: Dec. 3, 2009.

Website: URL:<http://techwizardz.blogspot.com/2010/02/toyota-avanza-stills-and-wallpapers.html>, Toyota Avanza, Date: Dec. 3, 2009.

\* cited by examiner

*Primary Examiner* — Melody N Brown

(74) *Attorney, Agent, or Firm* — Finnegan, Henderson, Farabow, Garrett & Dunner, LLP

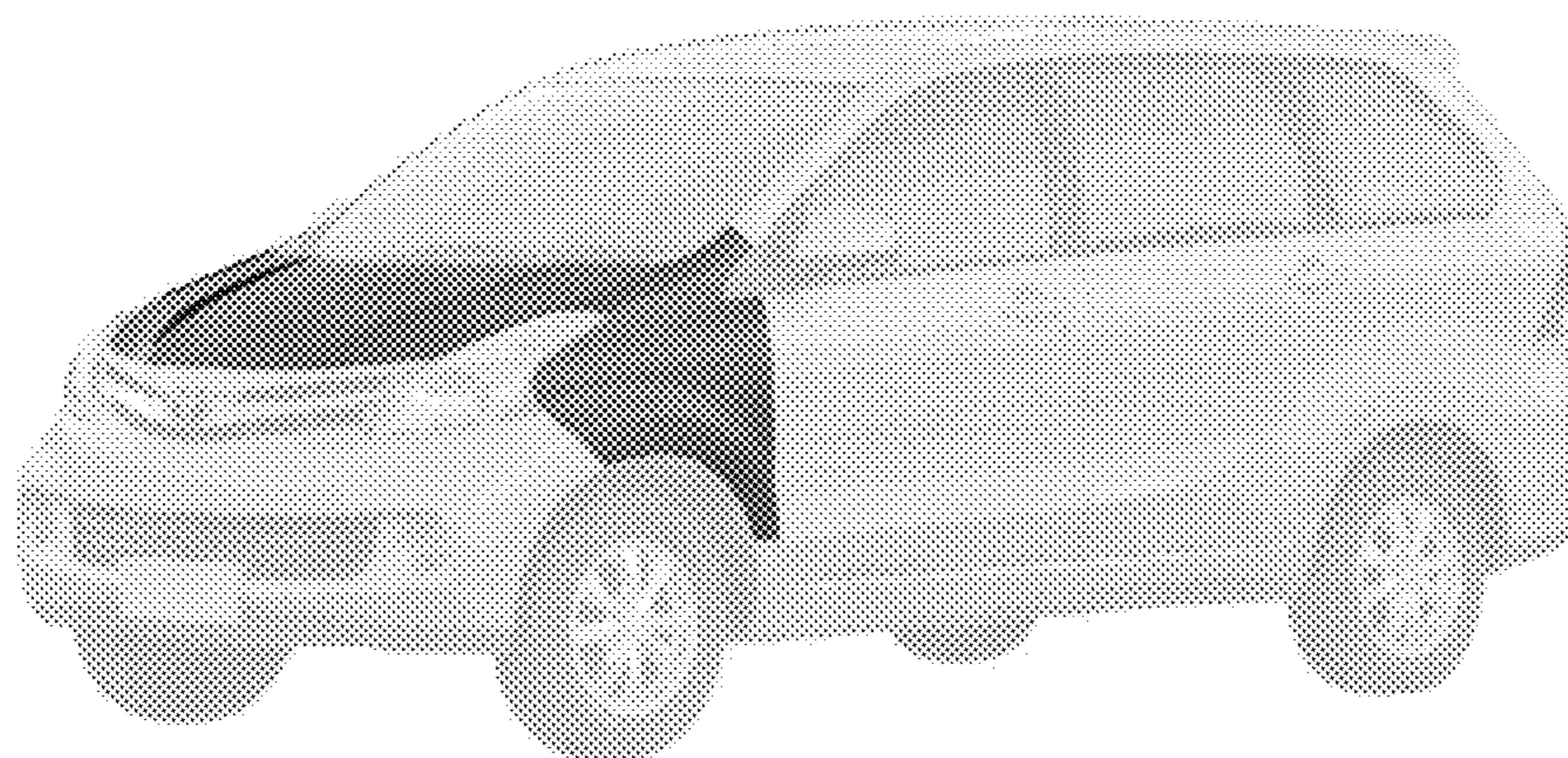
(57) **CLAIM**

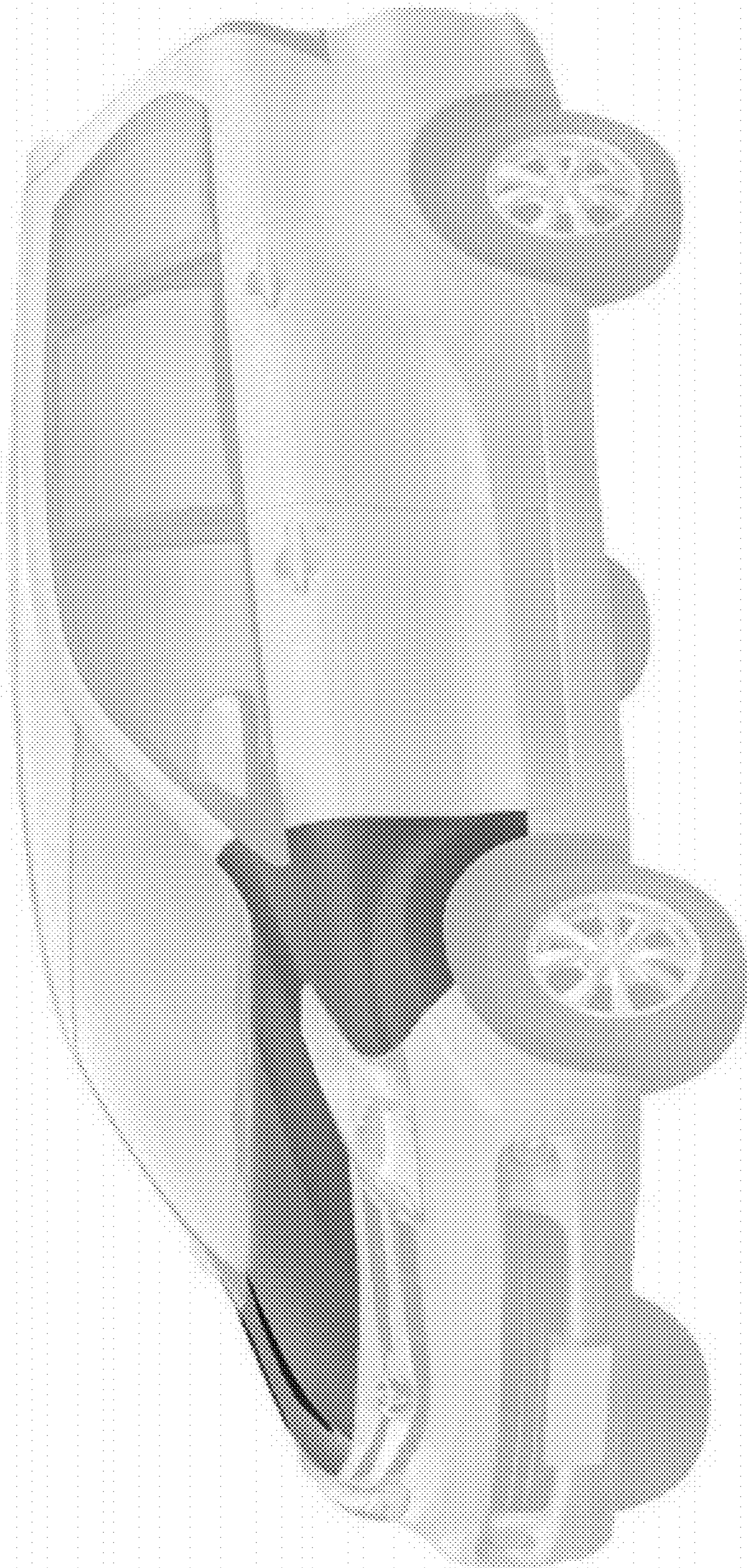
The ornamental design for a front portion of an automobile, as shown and described.

**DESCRIPTION**

FIG. 1 is a left, front perspective view of a front portion of an automobile of our new design;  
FIG. 2 is a left, rear perspective view thereof;  
FIG. 3 is a left side elevation view thereof, the right side elevation view being a mirror image thereof;  
FIG. 4 is a front elevation view thereof;  
FIG. 5 is a rear elevation view thereof; and,  
FIG. 6 is a top plan view thereof.  
The portion of the vehicle in light contrast is environment and is not a part of the claimed design.

**1 Claim, 5 Drawing Sheets**

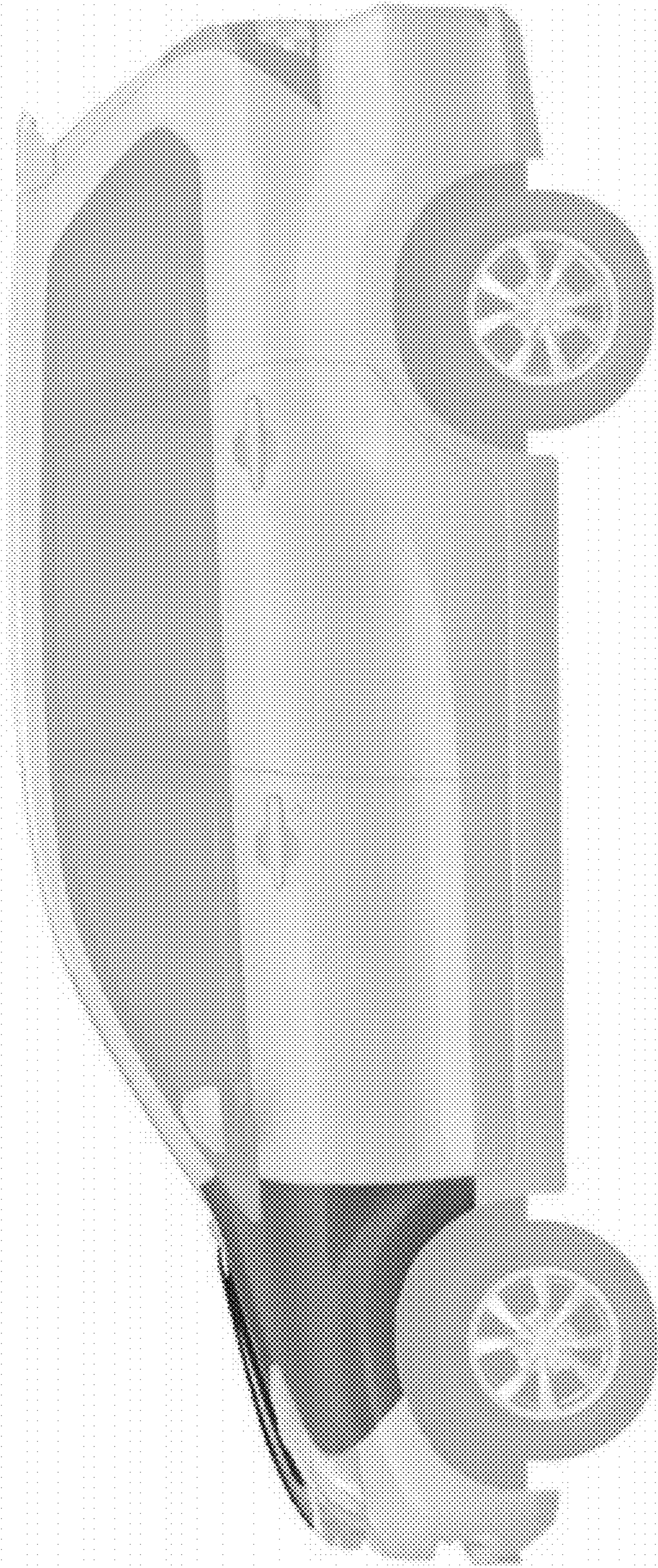




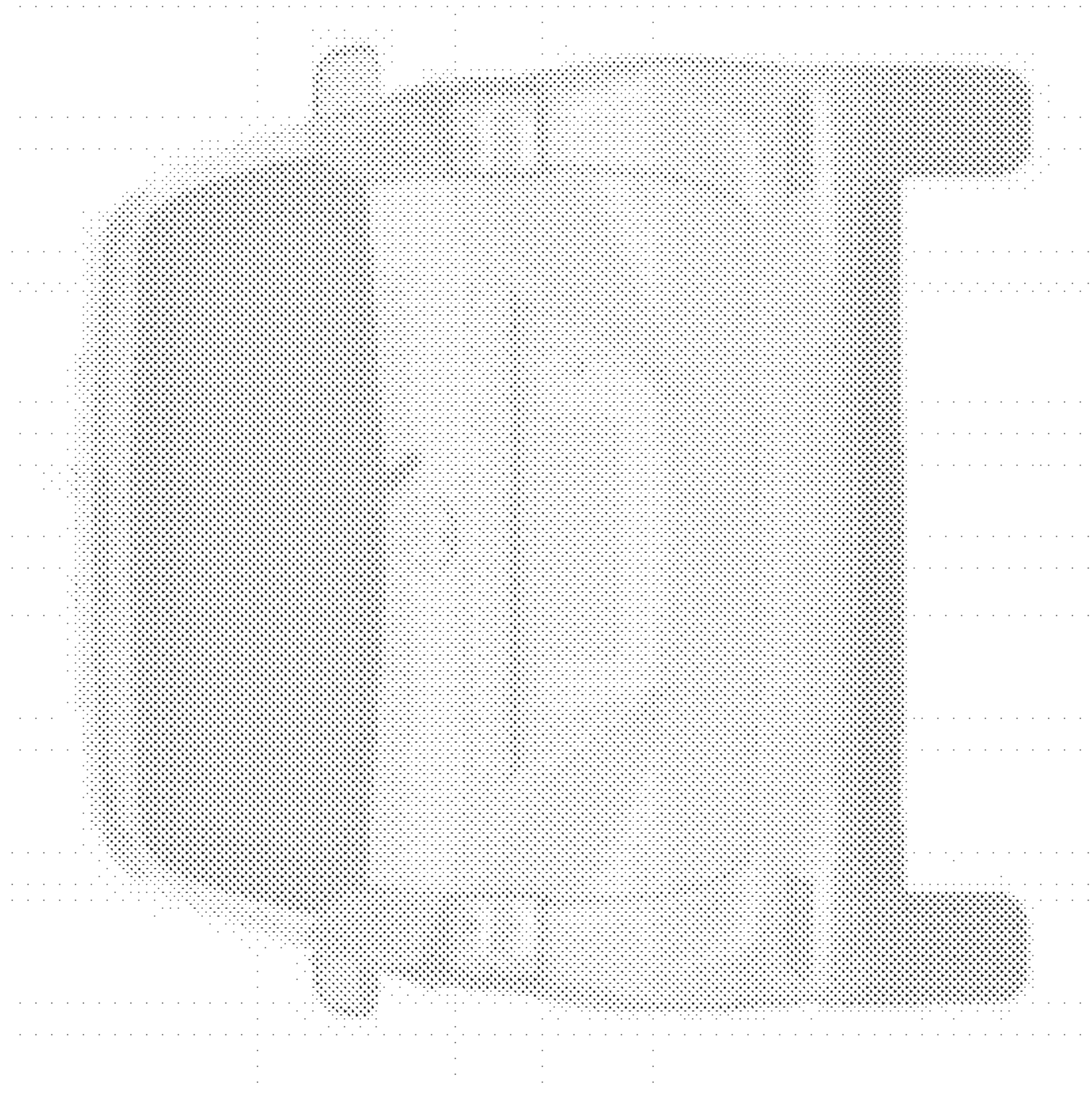
**FIG. 1**



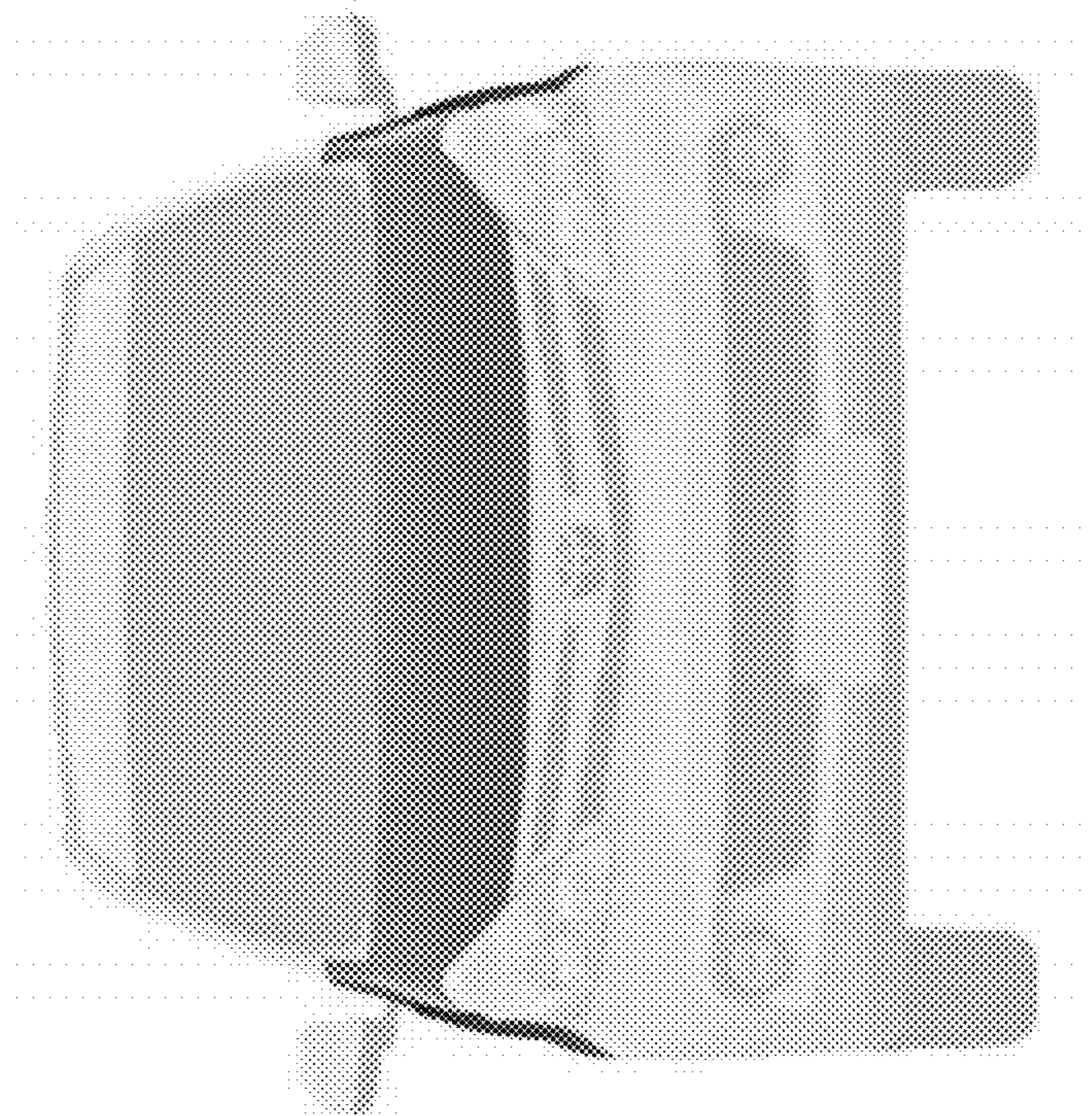
**FIG. 2**



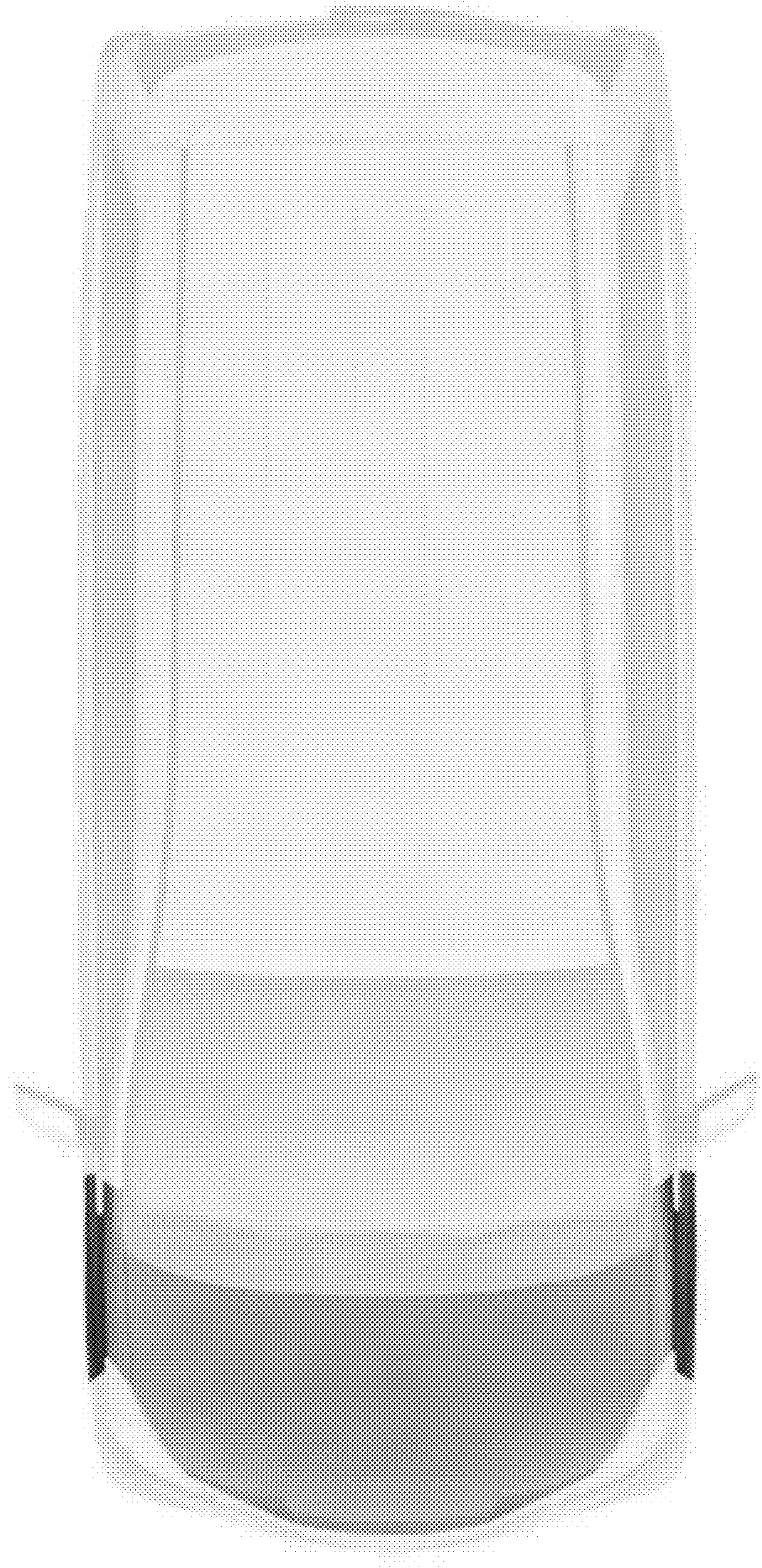
**FIG. 3**



**FIG. 5**



**FIG. 4**



**FIG. 6**