



US00D656868S

(12) **United States Design Patent**
Jansen, III et al.

(10) **Patent No.:** **US D656,868 S**
(45) **Date of Patent:** **** Apr. 3, 2012**

(54) **PINTLE HOOK**
(75) Inventors: **Roger L. Jansen, III**, Holton, MI (US);
Jared D. Patterson, Hudsonville, MI
(US)
(73) Assignee: **SAF-Holland, Inc.**, Holland, MI (US)
(**) Term: **14 Years**
(21) Appl. No.: **29/375,139**

4,989,892	A *	2/1991	Kerins et al.	280/504
5,240,274	A *	8/1993	Blacklaw	280/504
5,332,250	A *	7/1994	Thorwall et al.	280/507
6,139,043	A *	10/2000	Gries et al.	280/504
D457,113	S *	5/2002	Zapushek et al.	D12/162
6,889,995	B2 *	5/2005	Staggs	280/507
7,192,046	B1 *	3/2007	Quernemoen	280/507
7,431,321	B2 *	10/2008	Terpsma et al.	280/514
D615,462	S *	5/2010	Barrette	D12/162
2005/0173893	A1 *	8/2005	Buckley et al.	280/504
2006/0244240	A1 *	11/2006	Nelson	280/512
2007/0145716	A1 *	6/2007	Schulze	280/483
2009/0295123	A1 *	12/2009	Good	280/490.1

* cited by examiner

(22) Filed: **Sep. 17, 2010**
(51) **LOC (9) Cl.** **12-16**
(52) **U.S. Cl.** **D12/162**
(58) **Field of Classification Search** D12/161,
D12/162, 400; 280/504-507, 511, 512, 514,
280/483, 495; 293/117; 150/166
See application file for complete search history.

Primary Examiner — John Windmuller
(74) *Attorney, Agent, or Firm* — Price Heneveld LLP

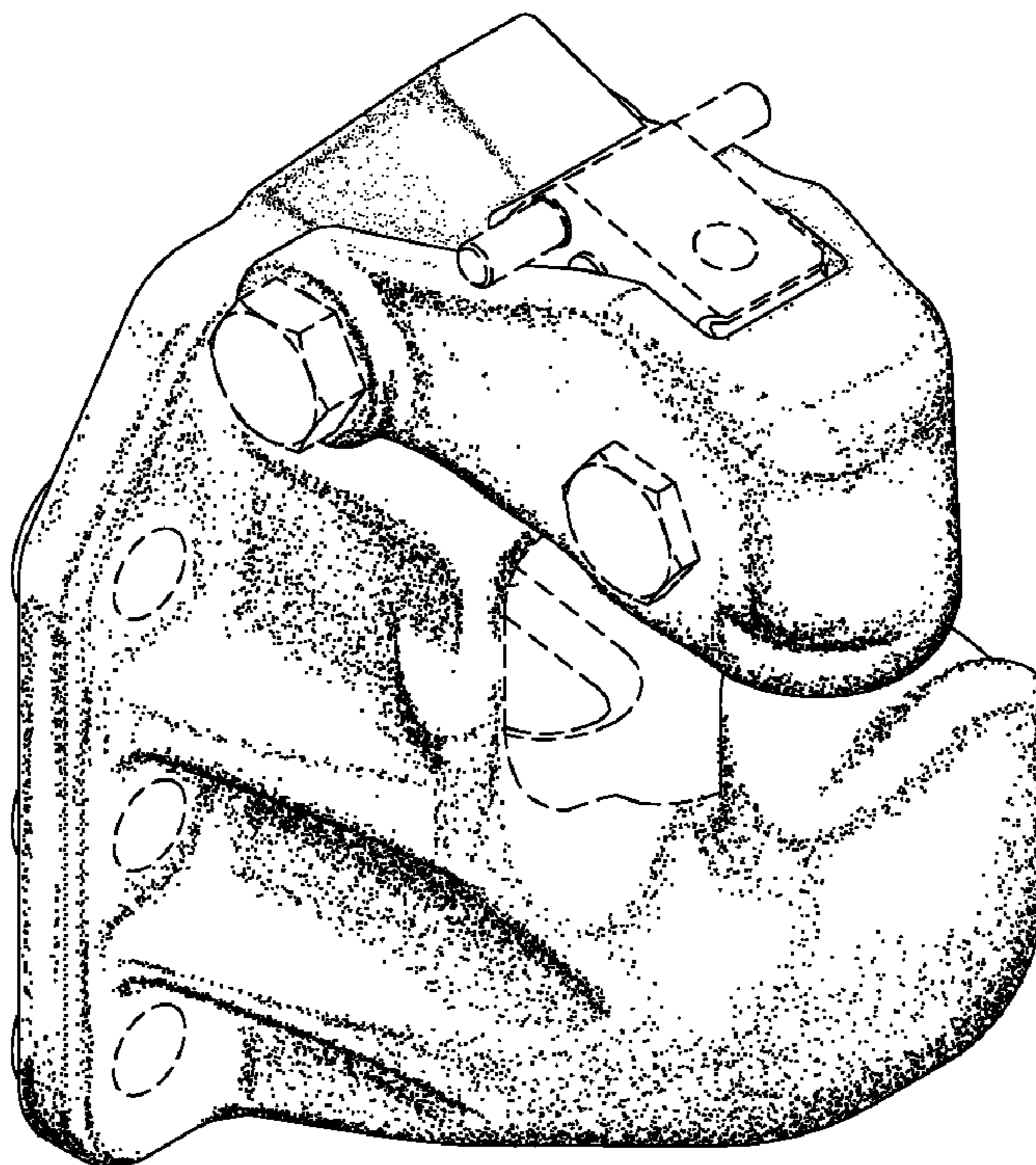
(57) **CLAIM**
We claim the ornamental design of the pintle hook, as shown and described.

DESCRIPTION

(56) **References Cited**
U.S. PATENT DOCUMENTS
2,124,839 A * 7/1938 Weiss 280/508
2,522,791 A * 9/1950 Ketel 280/506
2,842,380 A * 7/1958 Weiss 280/504
3,052,487 A * 9/1962 Harbers et al. 280/506
3,475,037 A * 10/1969 Weiss 280/504
3,963,266 A * 6/1976 Thelin 280/504
D279,179 S * 6/1985 Landry, Jr. D12/162
D279,665 S * 7/1985 Landry, Jr. D12/162
4,568,098 A * 2/1986 Landry, Jr. 280/416.1
4,758,015 A * 7/1988 Pixley 280/504
4,958,848 A * 9/1990 Nash 280/509

FIG. 1 is a perspective view showing a front, top and side of the pintle hook;
FIG. 2 is an elevational view of a left side of the pintle hook;
FIG. 3 is an elevational view of a right side of the pintle hook;
FIG. 4 is a front elevational view of the pintle hook;
FIG. 5 is a rear elevational view of the pintle hook;
FIG. 6 is a top plan view of the pintle hook; and,
FIG. 7 is a bottom plan view of the pintle hook.
The dashed lines within the figures are shown for illustrative purposes only and form no part of the claimed invention.

1 Claim, 2 Drawing Sheets



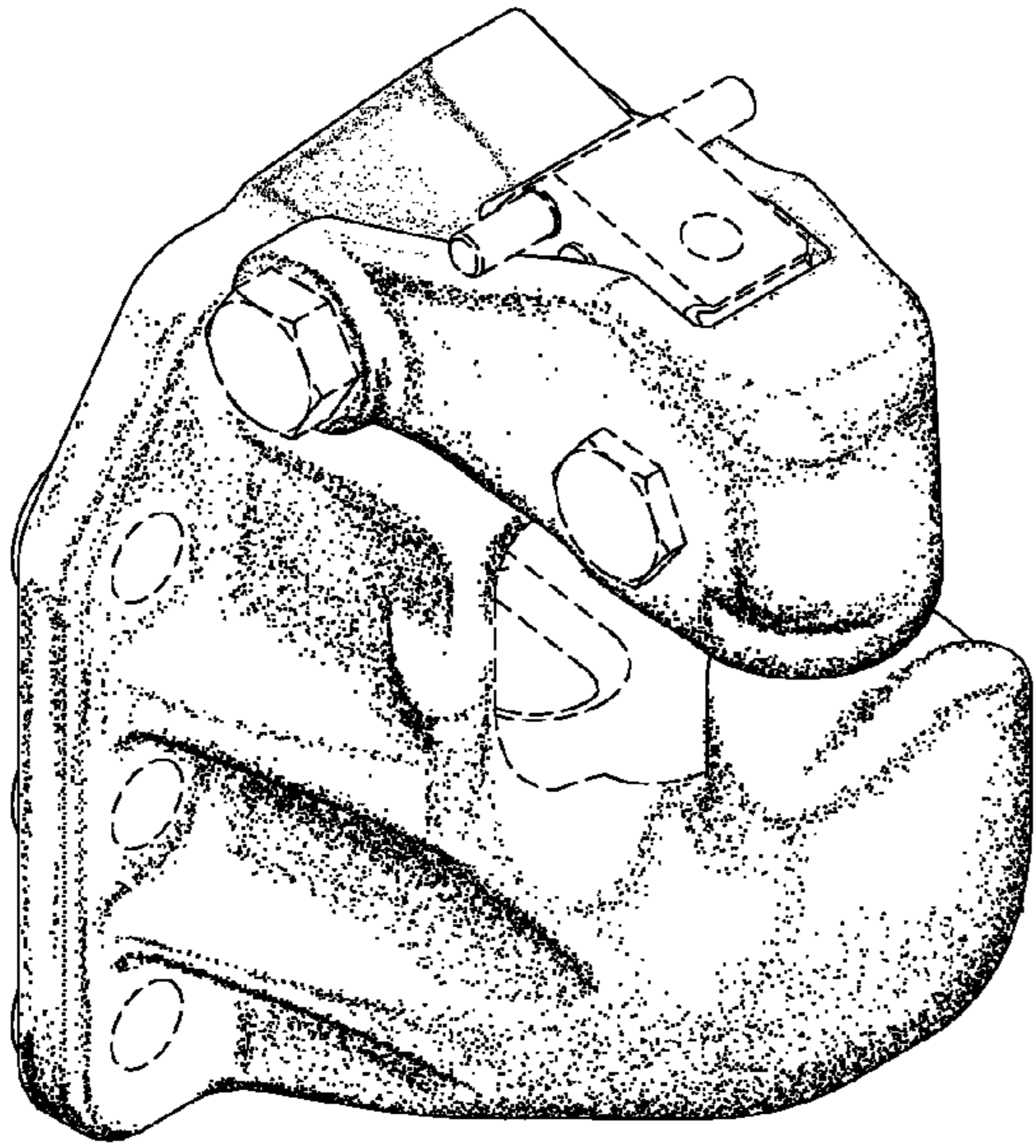


FIG. 1

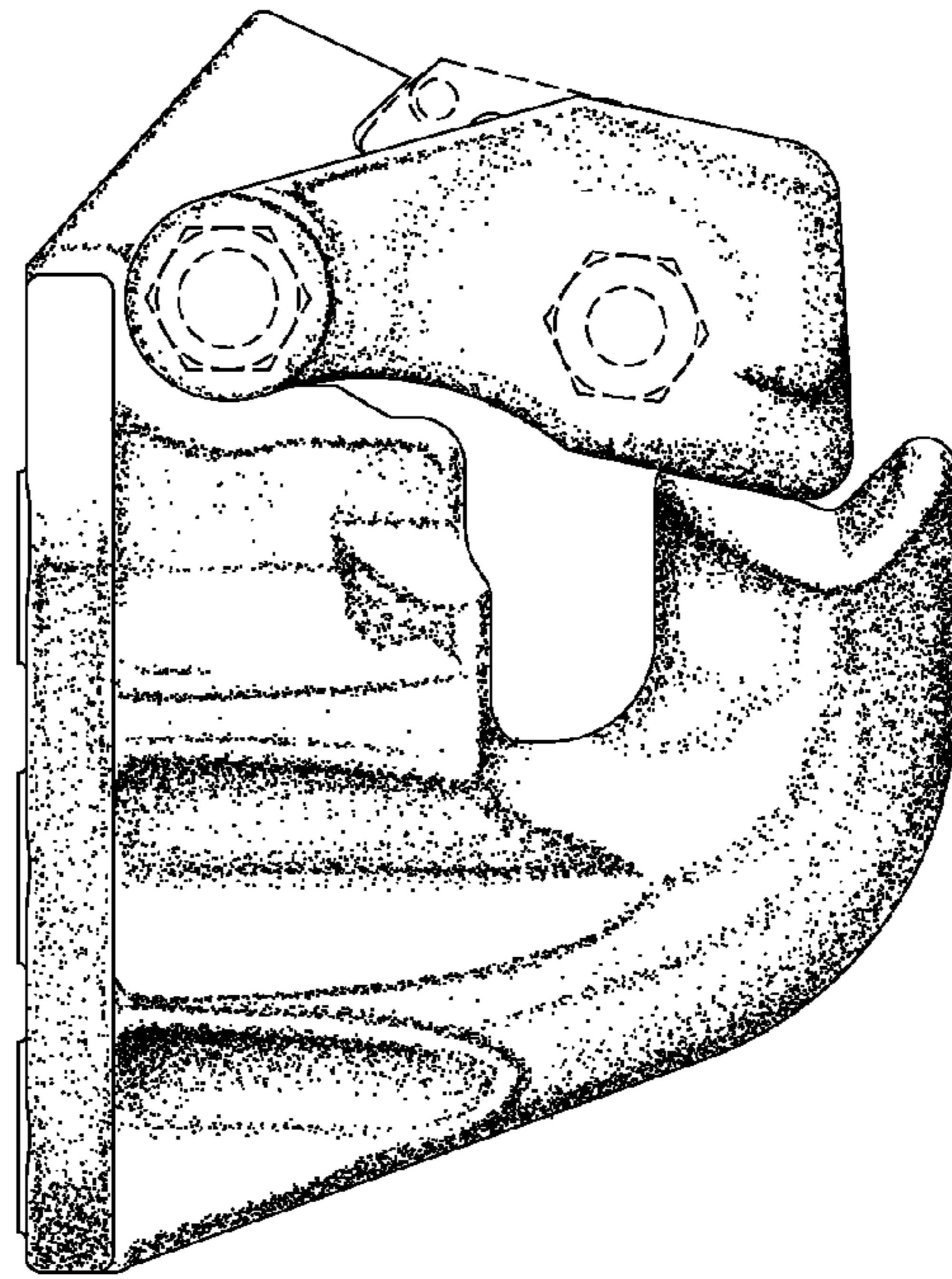


FIG. 2

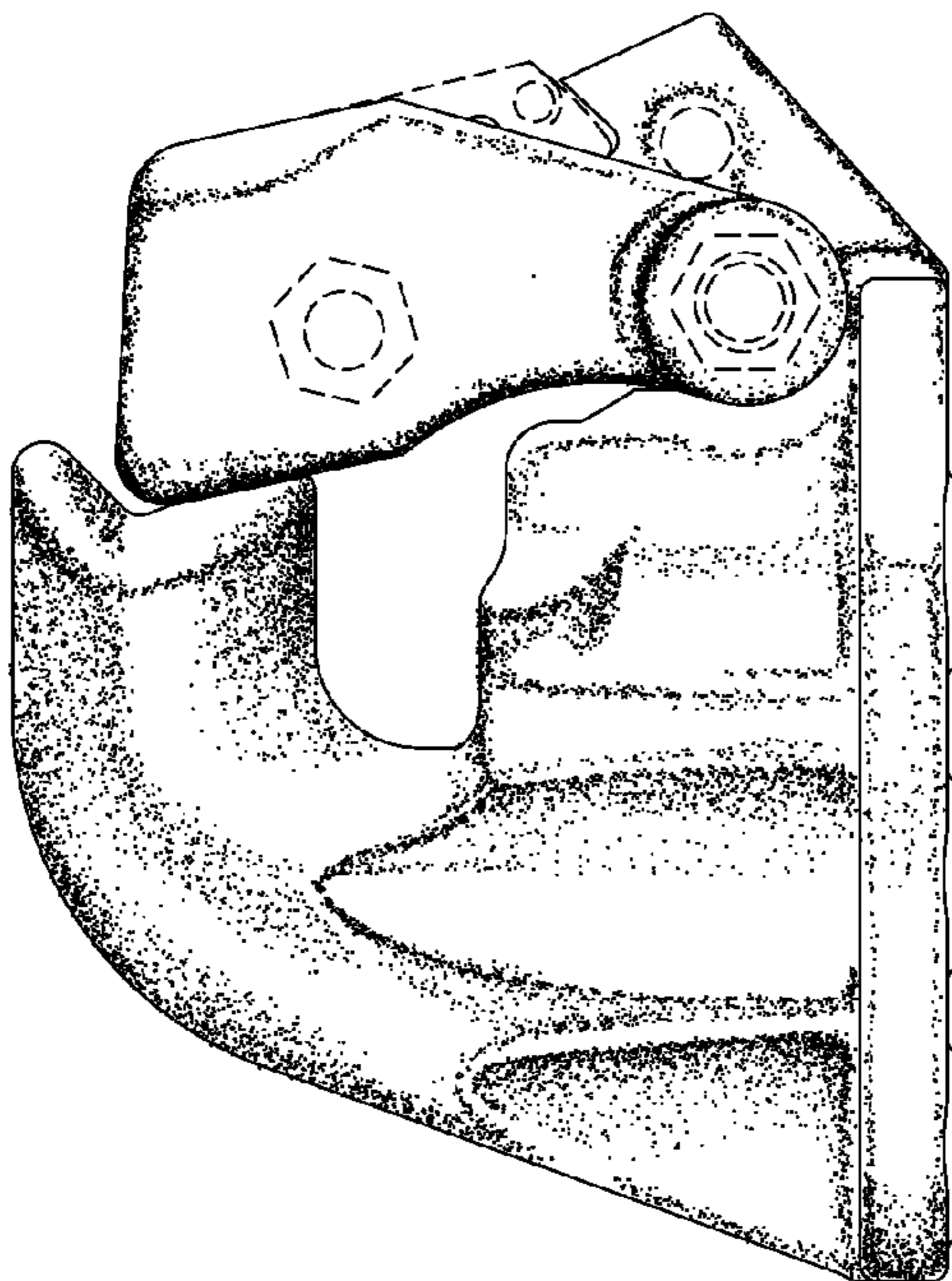


FIG. 3

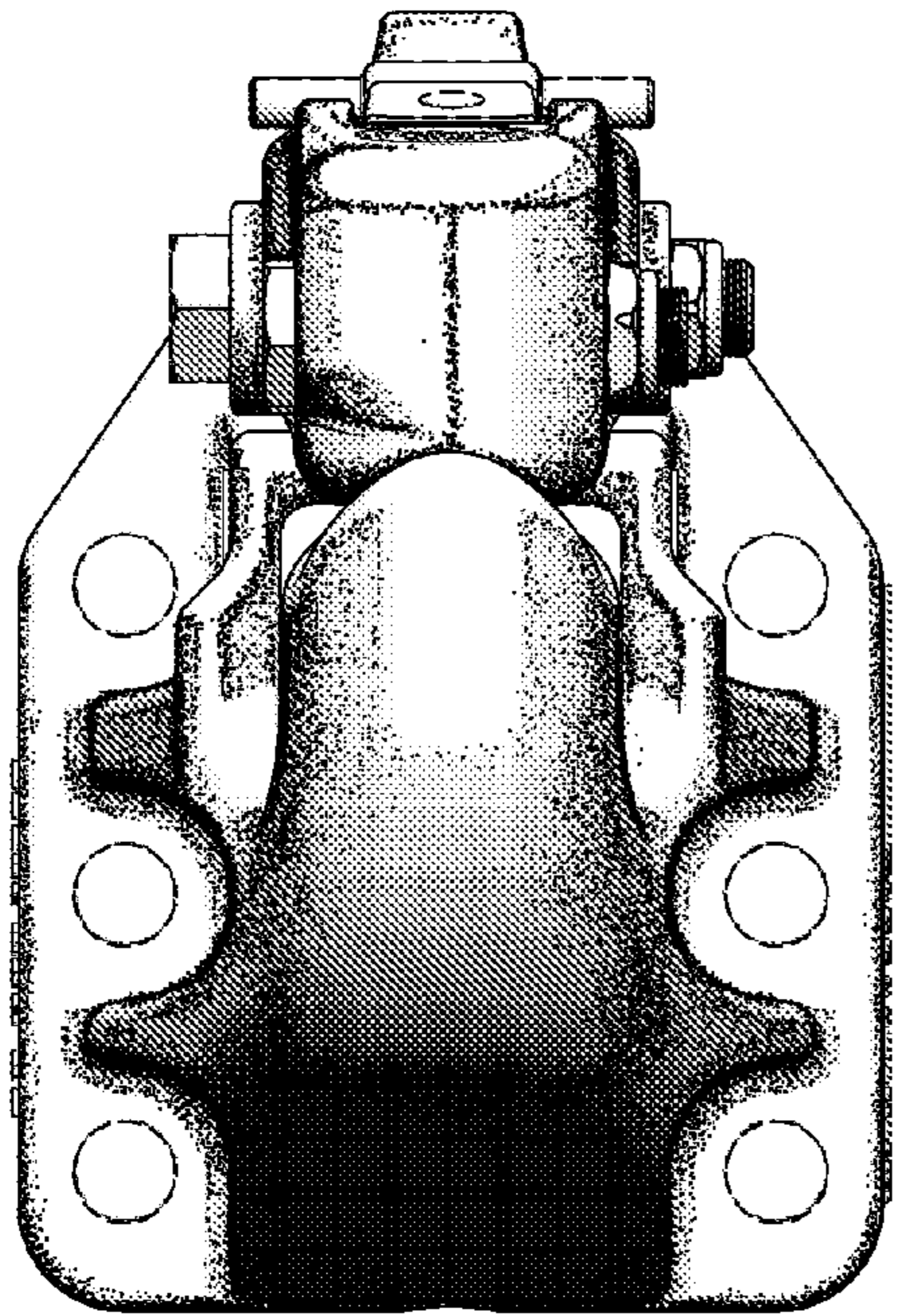


FIG. 4

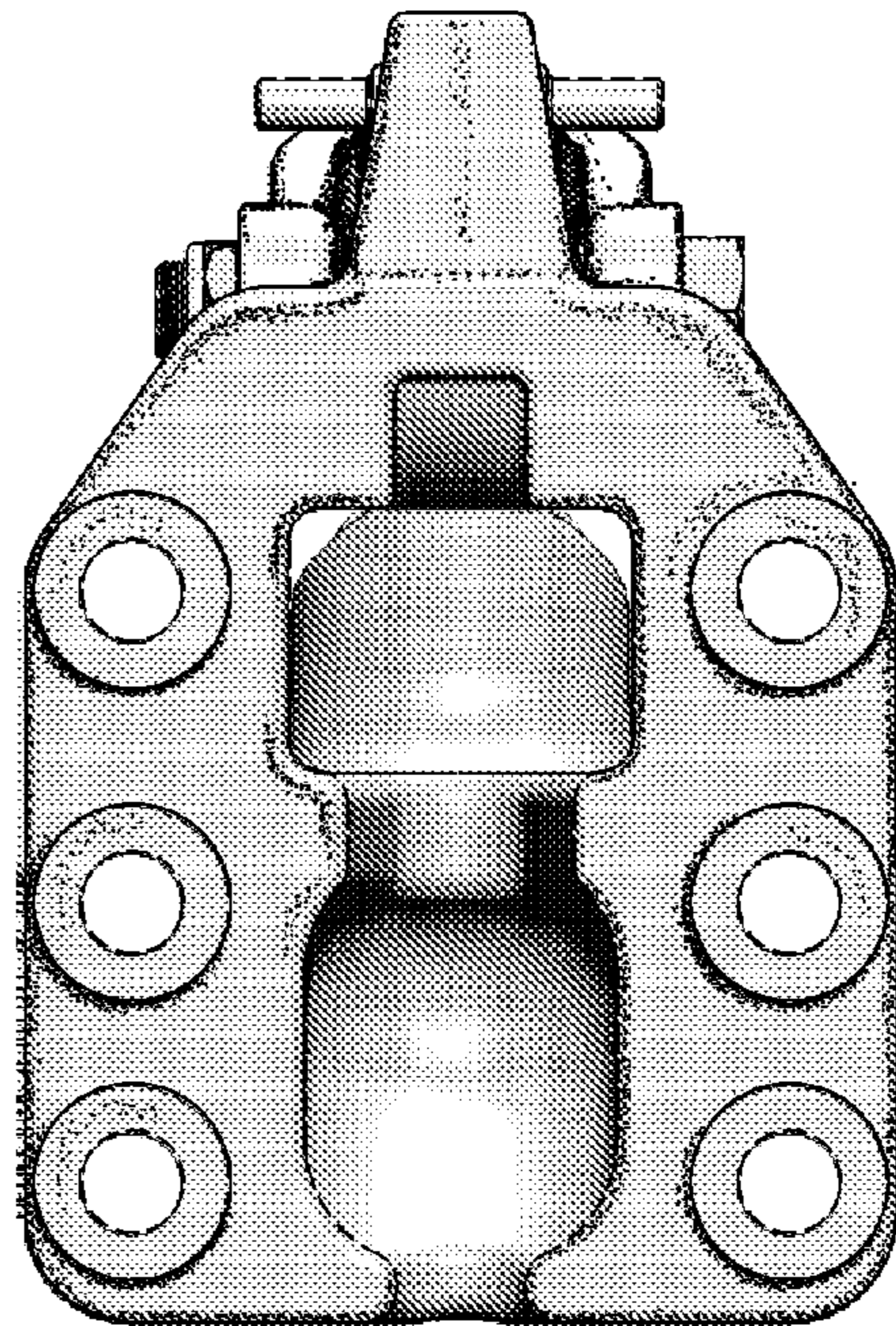


FIG. 5

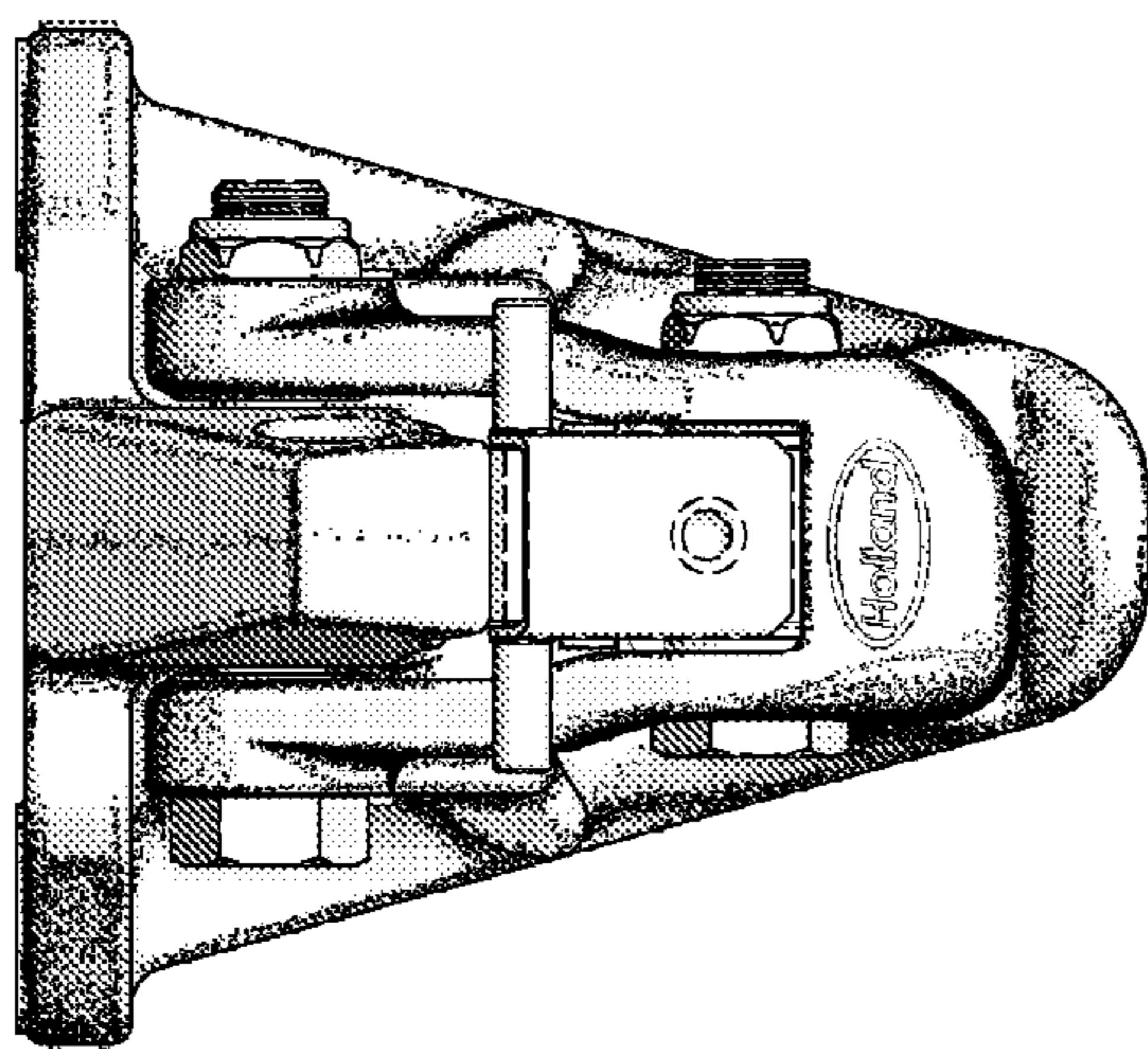


FIG. 6

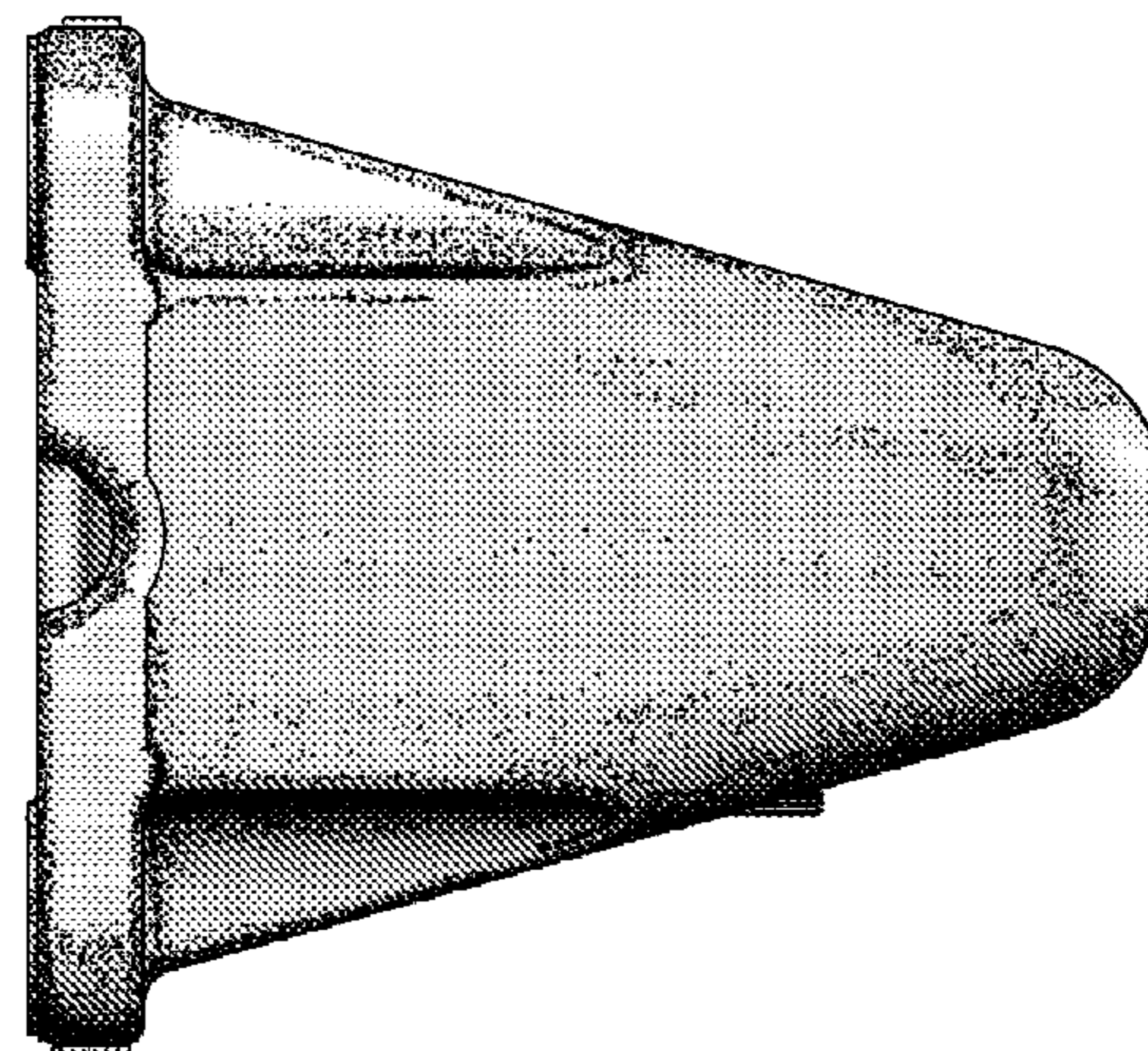


FIG. 7