



US00D656867S

(12) **United States Design Patent**  
**Uemoto et al.**

(10) **Patent No.:** **US D656,867 S**

(45) **Date of Patent:** **\*\* Apr. 3, 2012**

(54) **MOTORCYCLE**

(75) Inventors: **Takumi Uemoto**, Akashi (JP); **Norikazu Matsumura**, Akashi (JP); **Toshiyuki Nishihara**, Kakogawa (JP)

(73) Assignee: **Kawasaki Jukogyo Kabushiki Kaisha**, Hyogo (JP)

(\*\*) Term: **14 Years**

(21) Appl. No.: **29/385,925**

(22) Filed: **Feb. 22, 2011**

(30) **Foreign Application Priority Data**

Oct. 1, 2010 (JP) ..... 2010-023610

(51) **LOC (9) Cl.** ..... **12-11**

(52) **U.S. Cl.** ..... **D12/110**

(58) **Field of Classification Search** ..... D12/110;  
180/219, 220, 225, 229

See application file for complete search history.

(56) **References Cited**

**U.S. PATENT DOCUMENTS**

D321,676 S \* 11/1991 Kitagawa et al. .... D12/110  
6,293,606 B1 \* 9/2001 Jarosz et al. .... 296/78.1

D470,800 S \* 2/2003 Muta et al. .... D12/110  
D574,299 S \* 8/2008 Kouchi et al. .... D12/110  
D605,982 S 12/2009 Tanaka et al.  
D615,000 S \* 5/2010 Tako et al. .... D12/110  
D624,853 S \* 10/2010 Song et al. .... D12/110  
D640,606 S \* 6/2011 Lai et al. .... D12/110

\* cited by examiner

*Primary Examiner* — Philip S Hyder

*Assistant Examiner* — Linda G. Brooks

(57) **CLAIM**

The ornamental design for a motorcycle, as shown and described.

**DESCRIPTION**

FIG. 1 is a front elevational view of a motorcycle showing our new design;

FIG. 2 is a rear elevational view thereof;

FIG. 3 is a left side elevational view thereof;

FIG. 4 is a right side elevational view thereof;

FIG. 5 is a top plan view thereof;

FIG. 6 is a bottom plan view thereof;

FIG. 7 is a front left perspective view thereof;

FIG. 8 is a front right perspective view thereof;

FIG. 9 is a rear left perspective view thereof; and,

FIG. 10 is a rear right perspective view thereof.

**1 Claim, 10 Drawing Sheets**

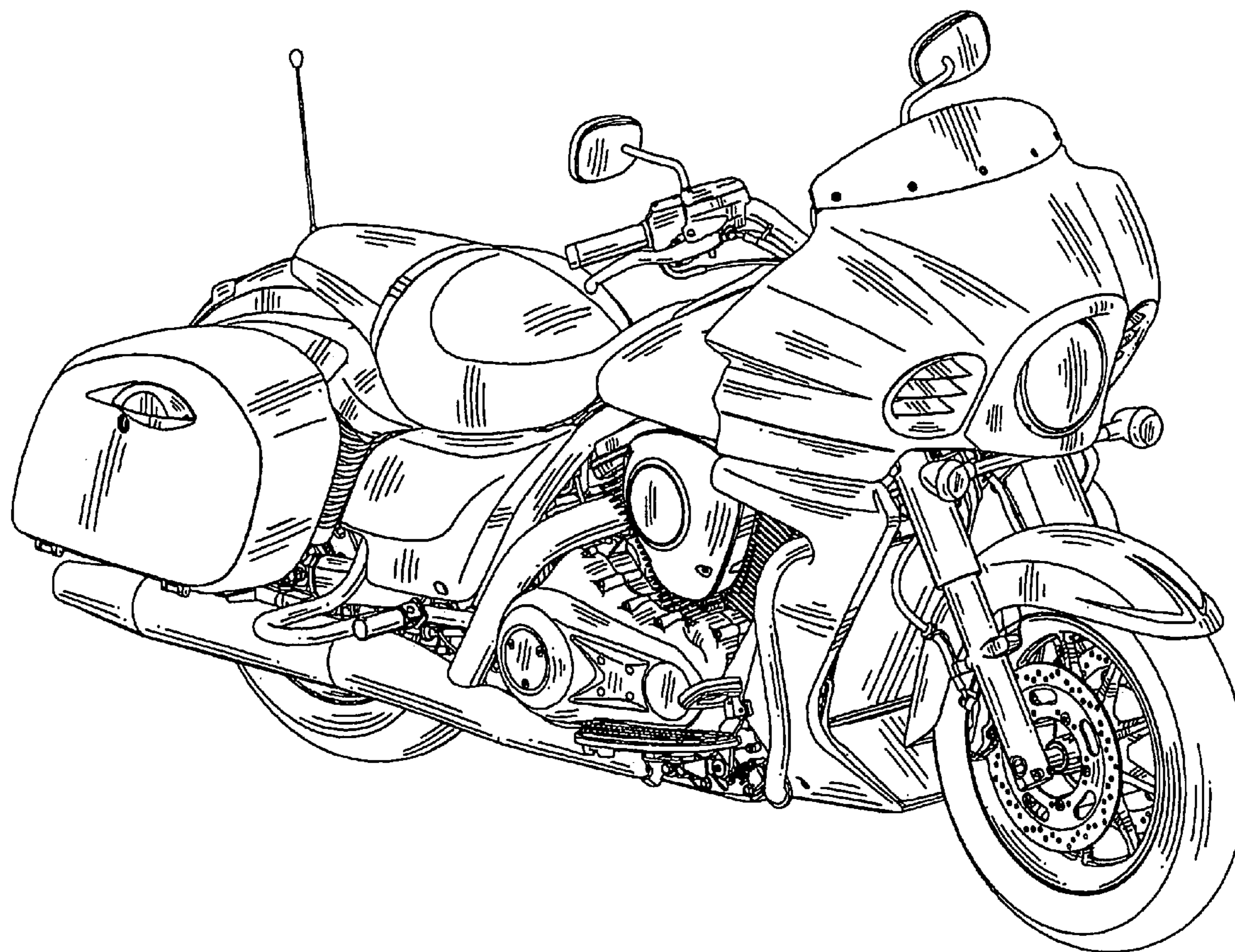


Fig. 1

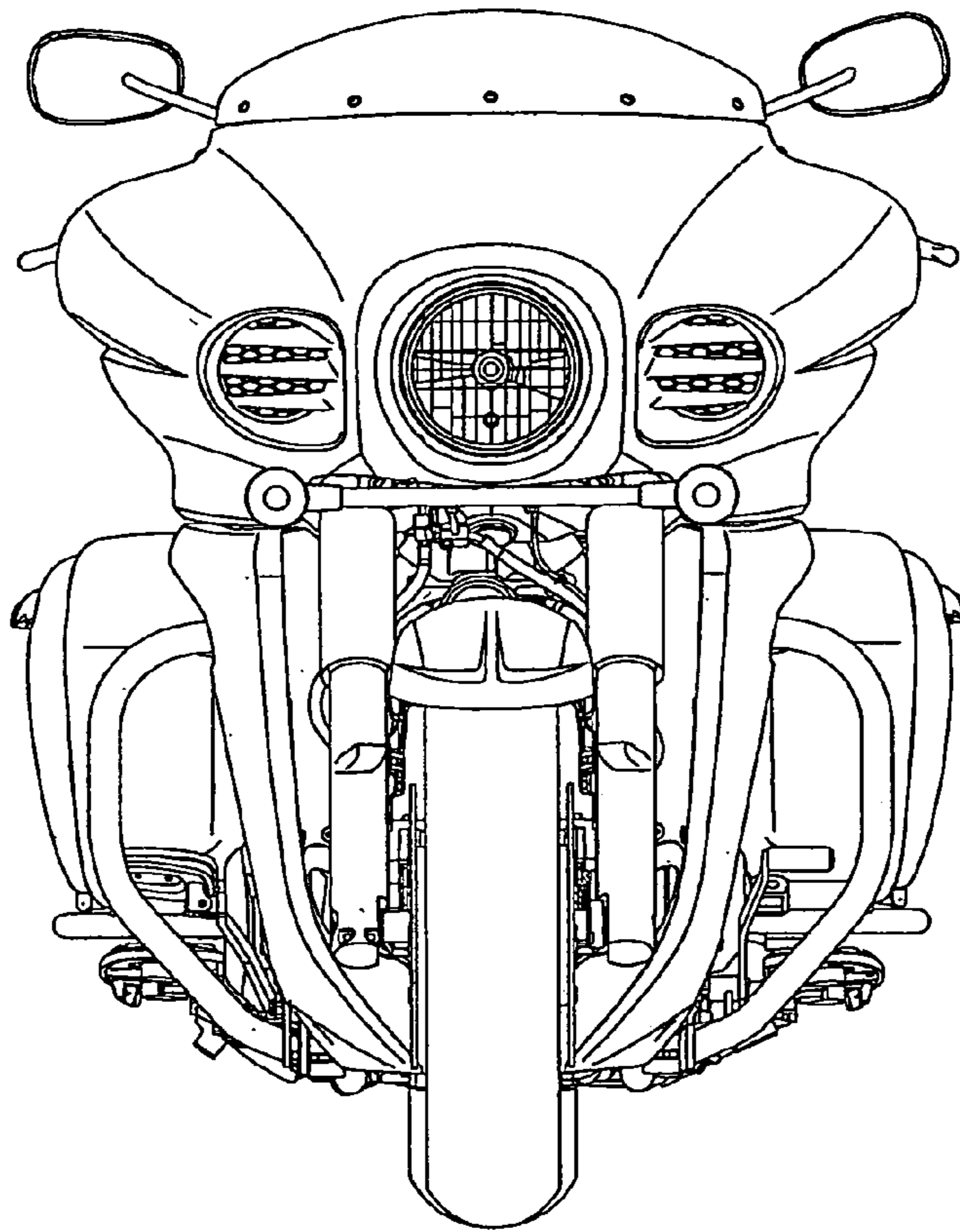
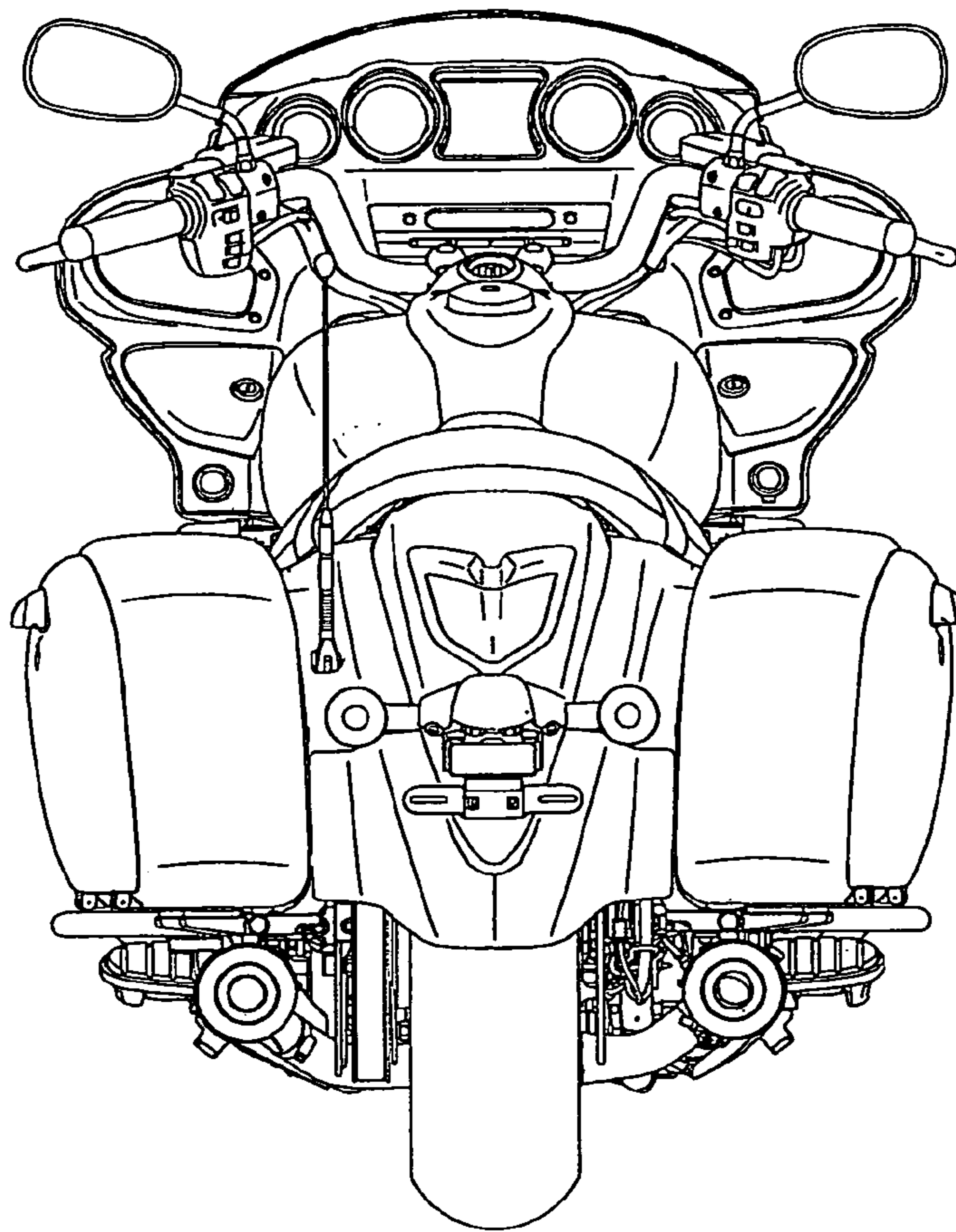


Fig. 2





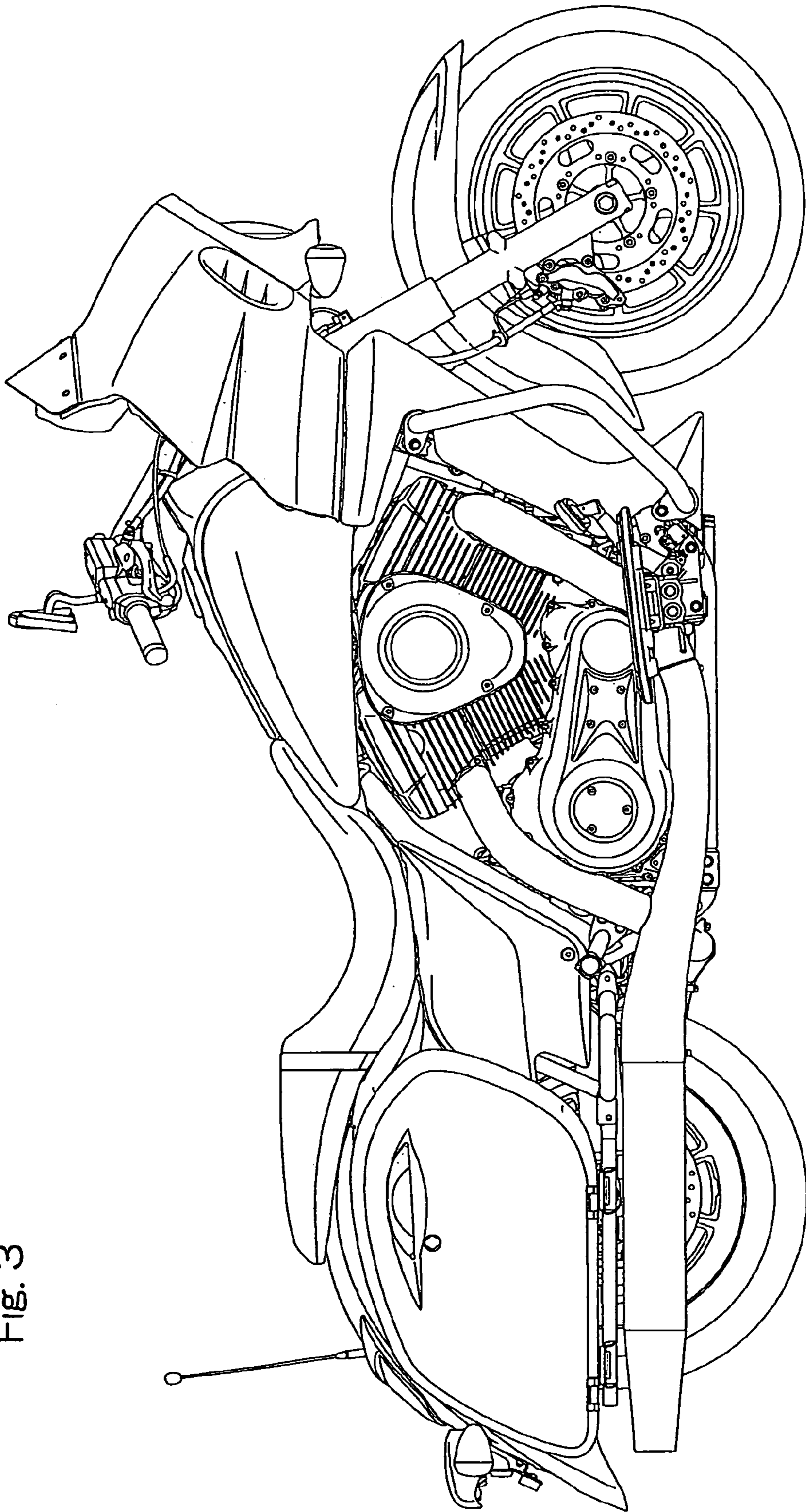


Fig. 3

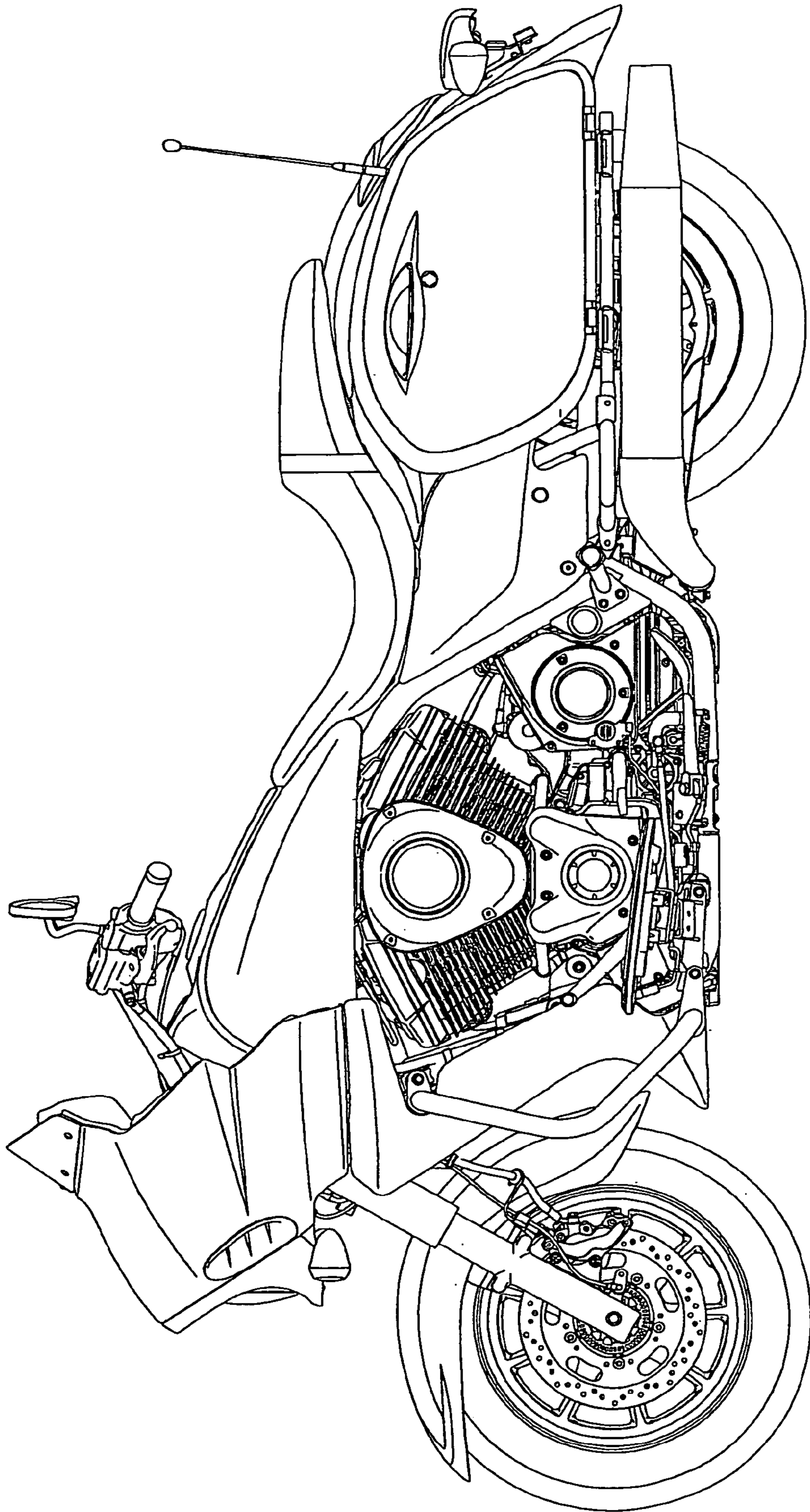


Fig. 4

Fig. 5

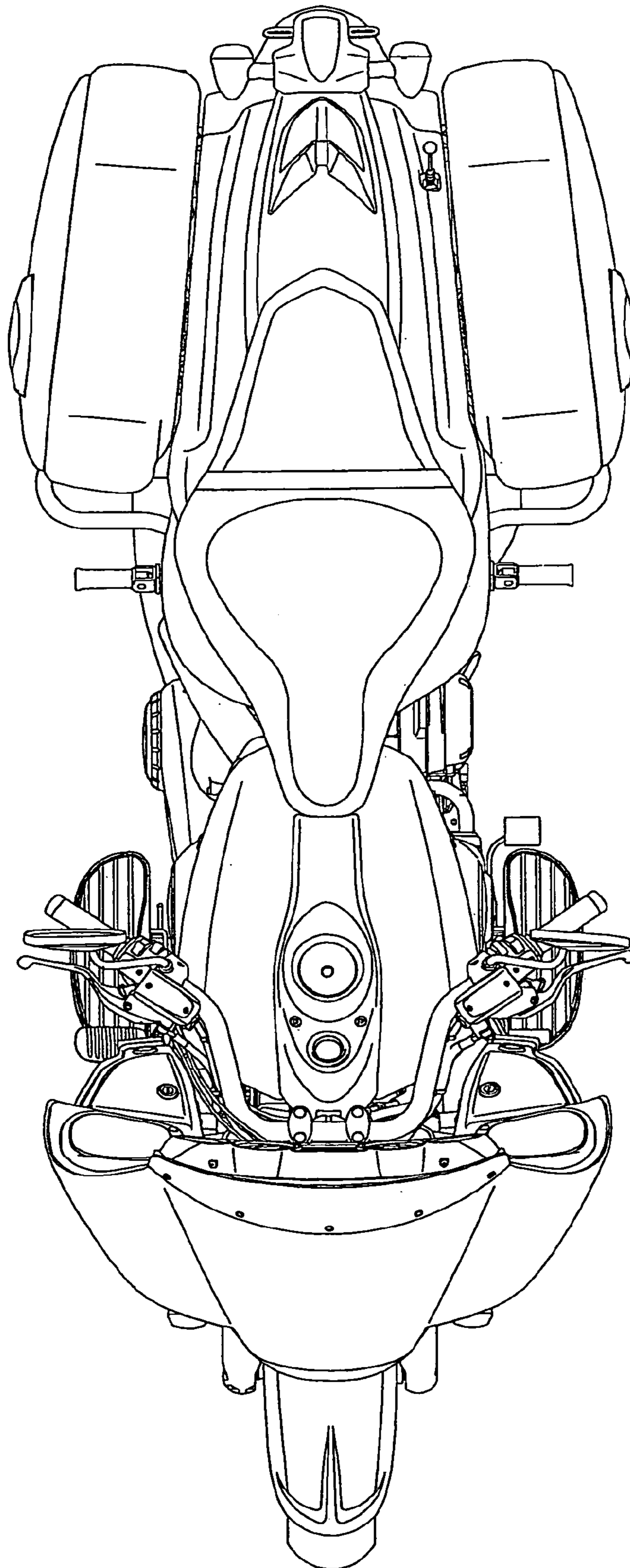
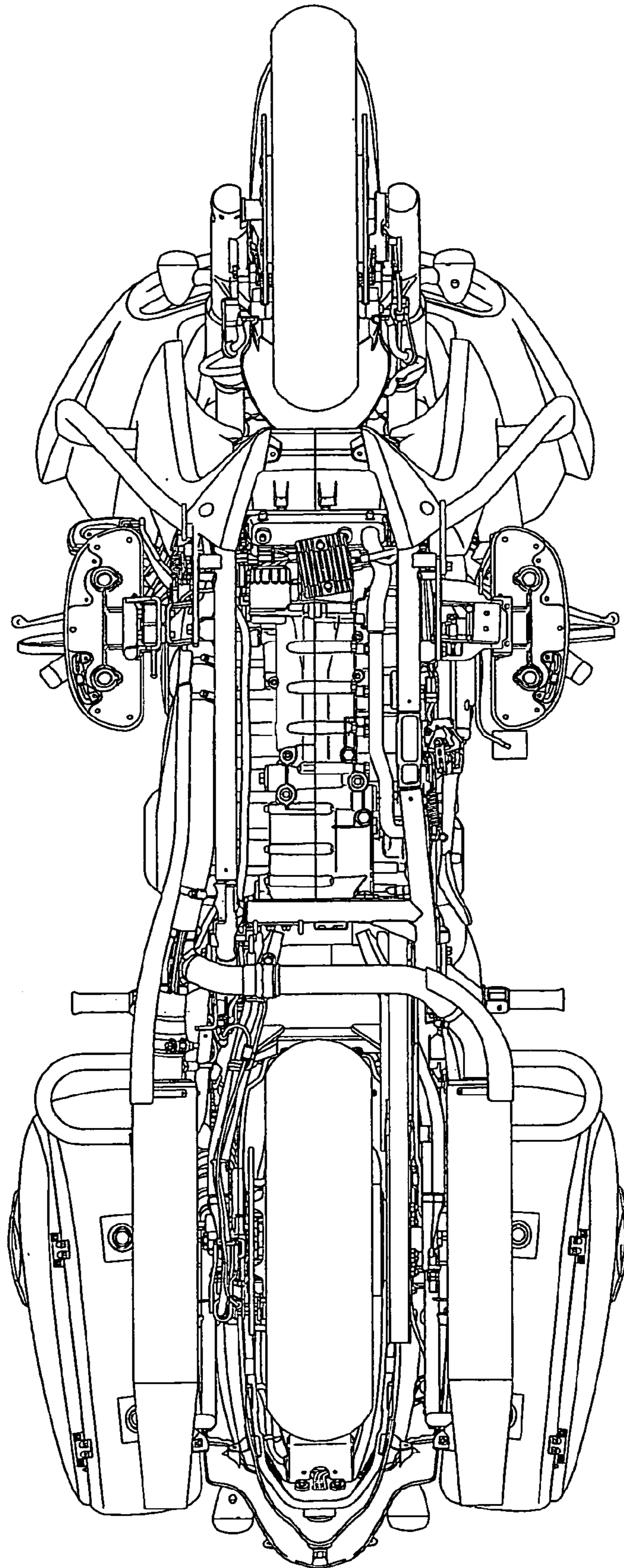




Fig. 6



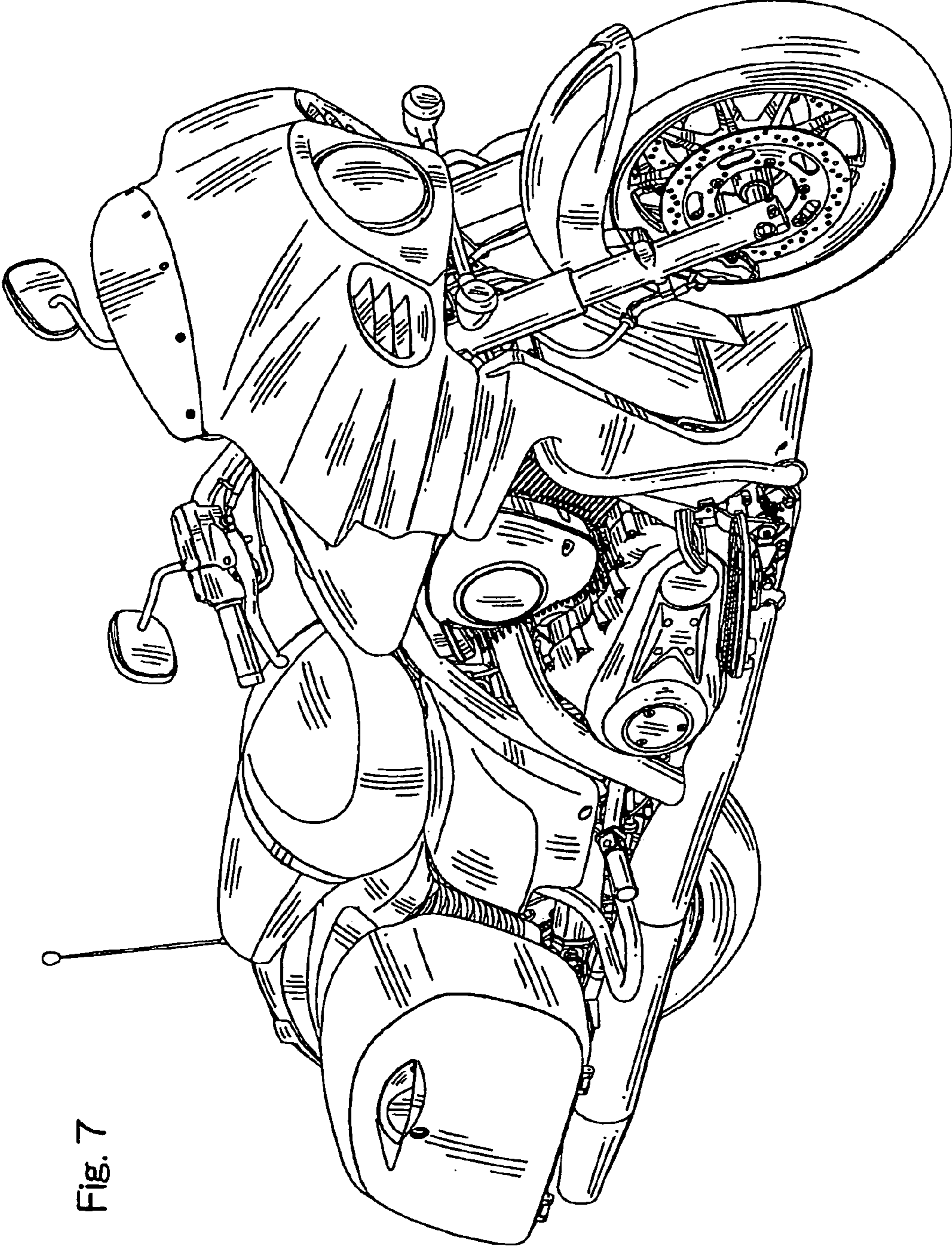


Fig. 7



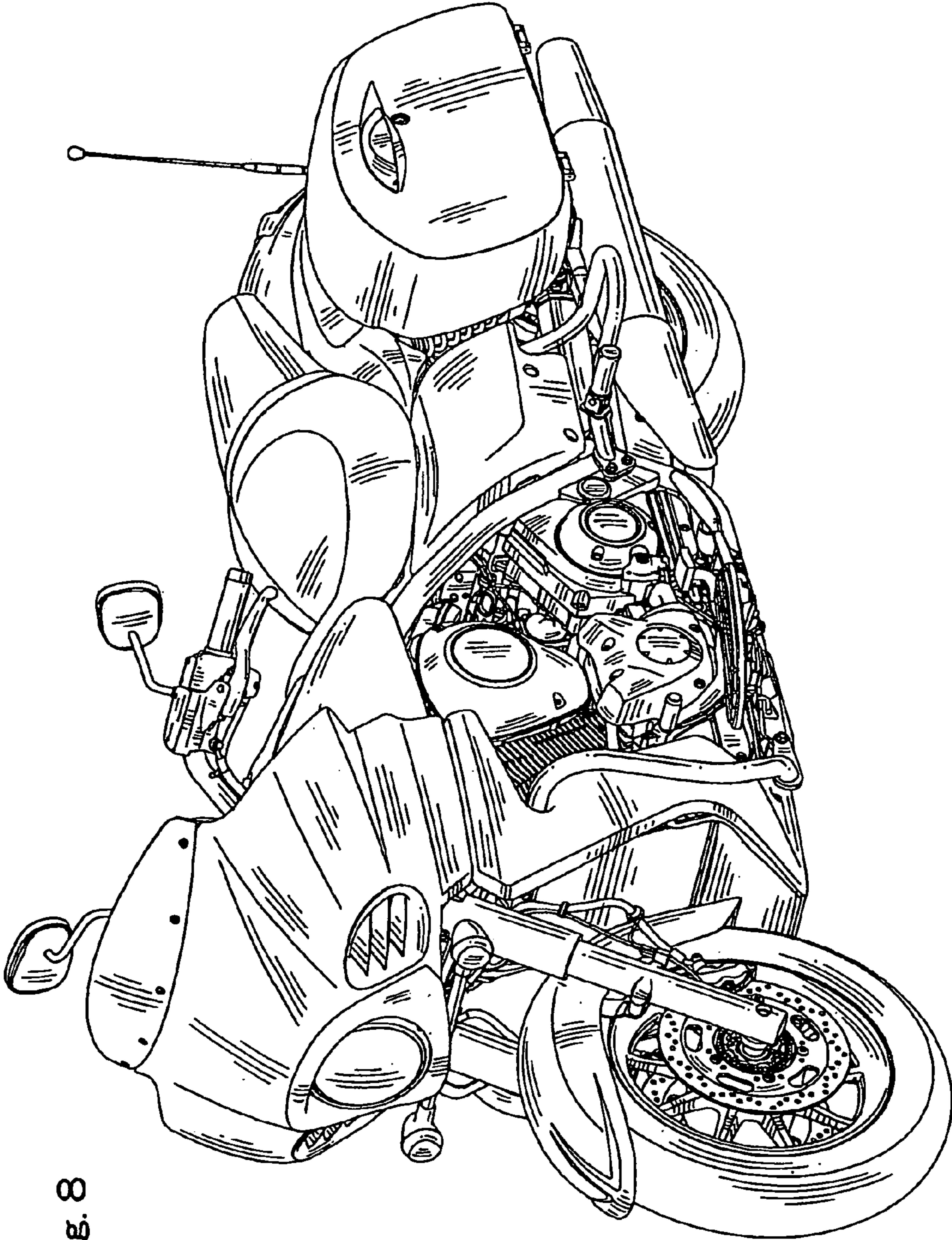


Fig. 8

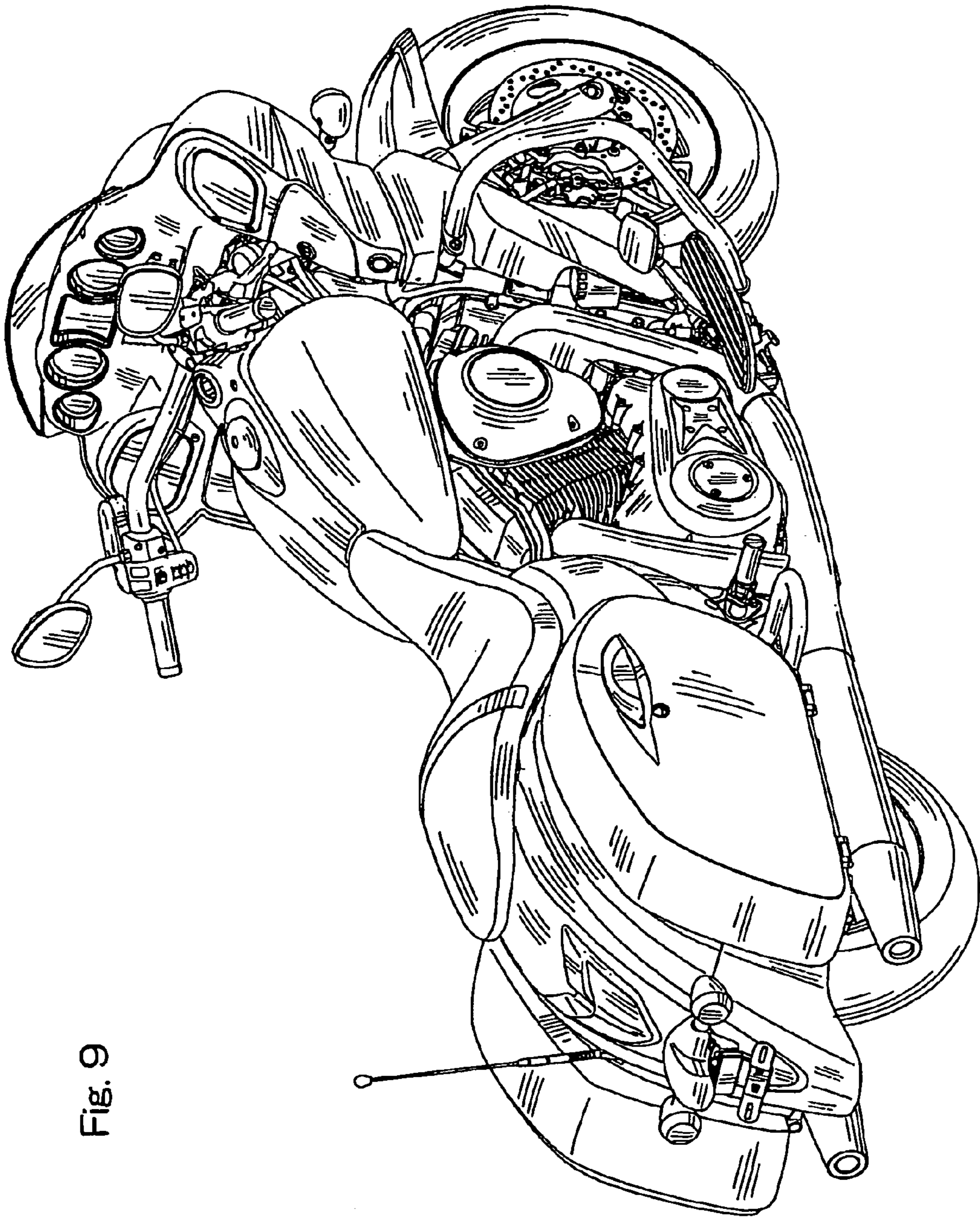


Fig. 9



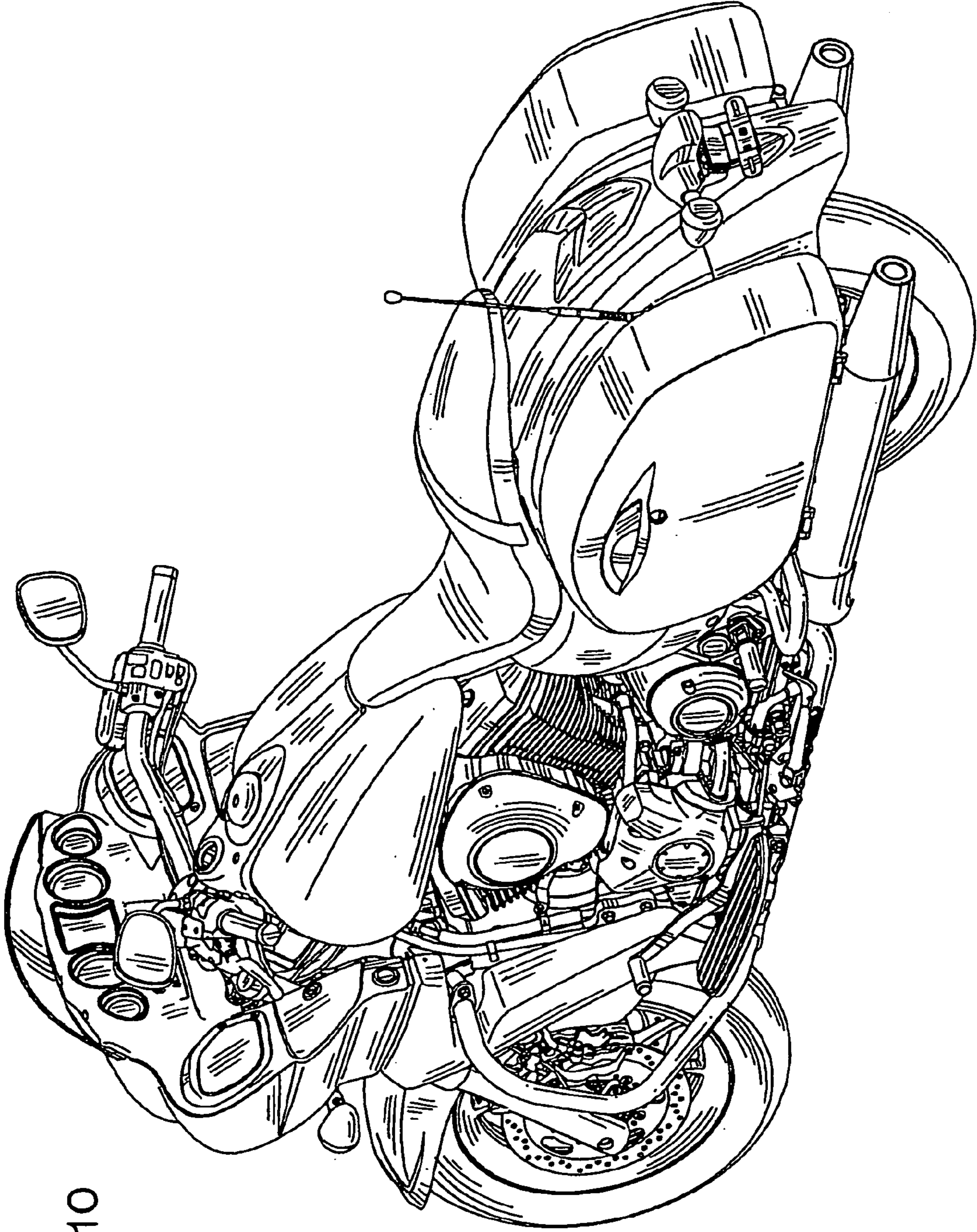


Fig. 10