



US00D656866S

(12) **United States Design Patent**
Wise

(10) **Patent No.:** **US D656,866 S**

(45) **Date of Patent:** **** Apr. 3, 2012**

(54) **TRUCK**

(76) **Inventor:** **Ronald Wise**, Old Hickory, TN (US)

(**) **Term:** **14 Years**

(21) **Appl. No.:** **29/351,775**

(22) **Filed:** **Dec. 11, 2009**

(51) **LOC (9) Cl.** **12-08**

(52) **U.S. Cl.** **D12/93**

(58) **Field of Classification Search** D12/93,
D12/96, 97, 99; D21/424, 434, 581; 180/89.16,
180/89.18, 89.19; 296/183.1

See application file for complete search history.

(56) **References Cited**

U.S. PATENT DOCUMENTS

- D246,360 S * 11/1977 Hafer D12/99
- D309,281 S * 7/1990 Tisten et al. D12/99
- D376,772 S * 12/1996 Martin D12/96

- D392,597 S * 3/1998 Brounstein D12/97
- D410,415 S * 6/1999 Schroeder D12/99
- D433,363 S * 11/2000 Gerisch et al. D12/196
- D466,836 S * 12/2002 Kerouanton et al. D12/93
- D466,837 S * 12/2002 Buring et al. D12/93
- D491,844 S * 6/2004 Poulin D12/93
- D575,197 S * 8/2008 Whitby D12/93
- D614,536 S * 4/2010 Schneider D12/99

* cited by examiner

Primary Examiner — Melody N Brown

(74) *Attorney, Agent, or Firm* — Gifford, Krass, Sprinkle,
Anderson & Citkowski, P.C.

(57) **CLAIM**

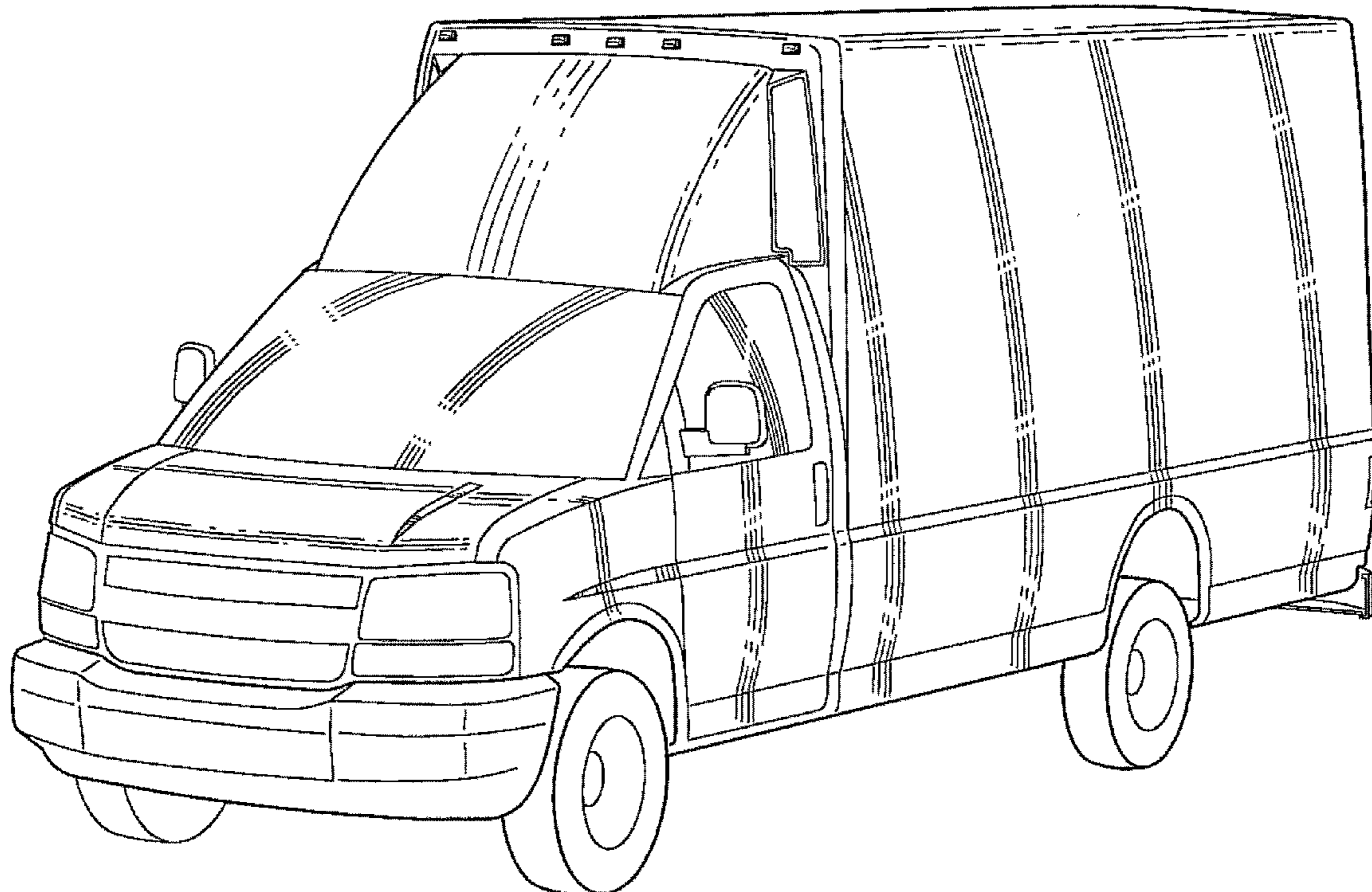
The ornamental design for a truck, as shown and described.

DESCRIPTION

FIG. 1 is a front and side prospective view of a truck showing my new design; and,

FIG. 2 is a top, rear and side perspective view thereof, the opposite side being a mirror image thereof.

1 Claim, 2 Drawing Sheets



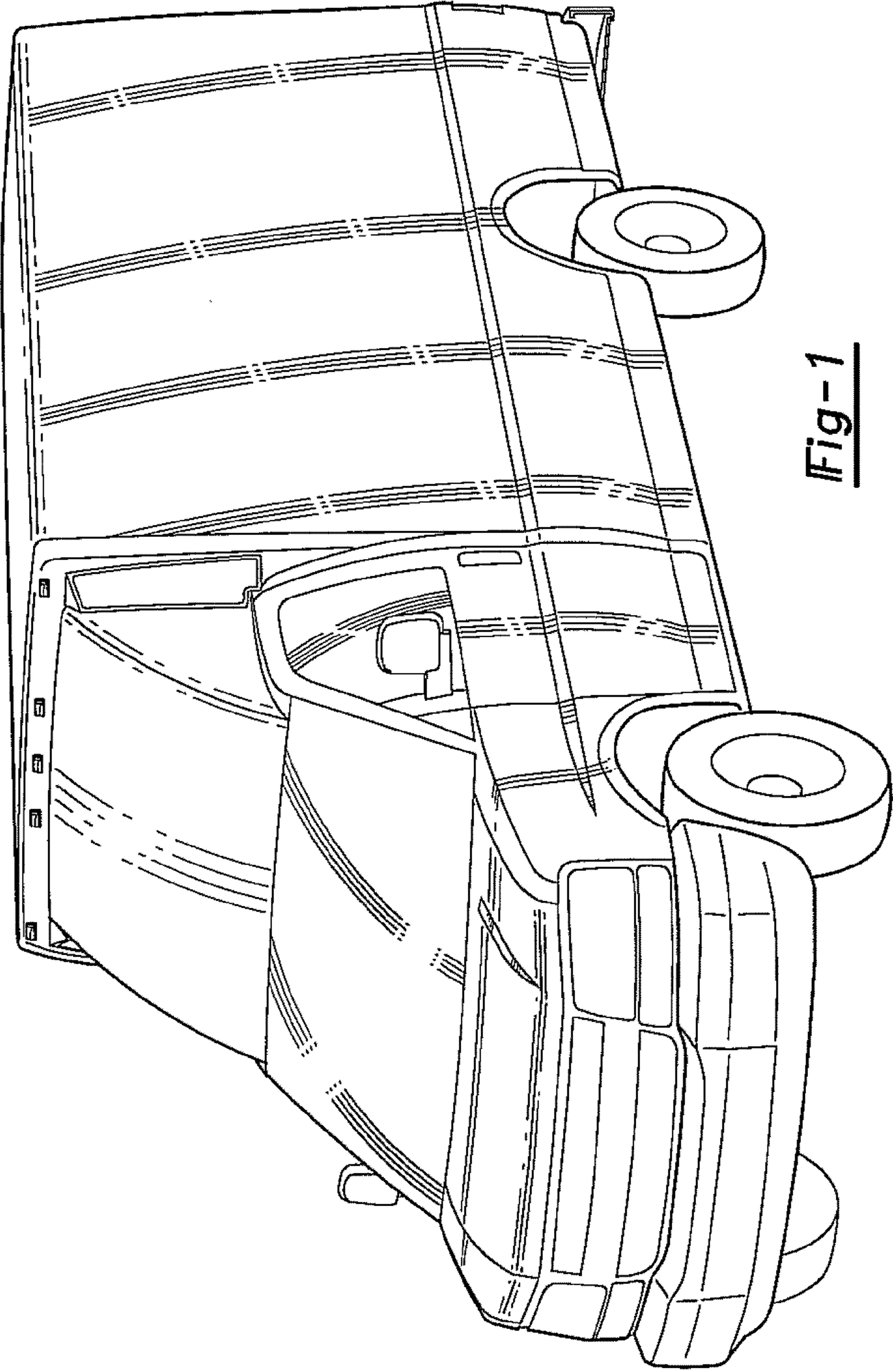


Fig-1

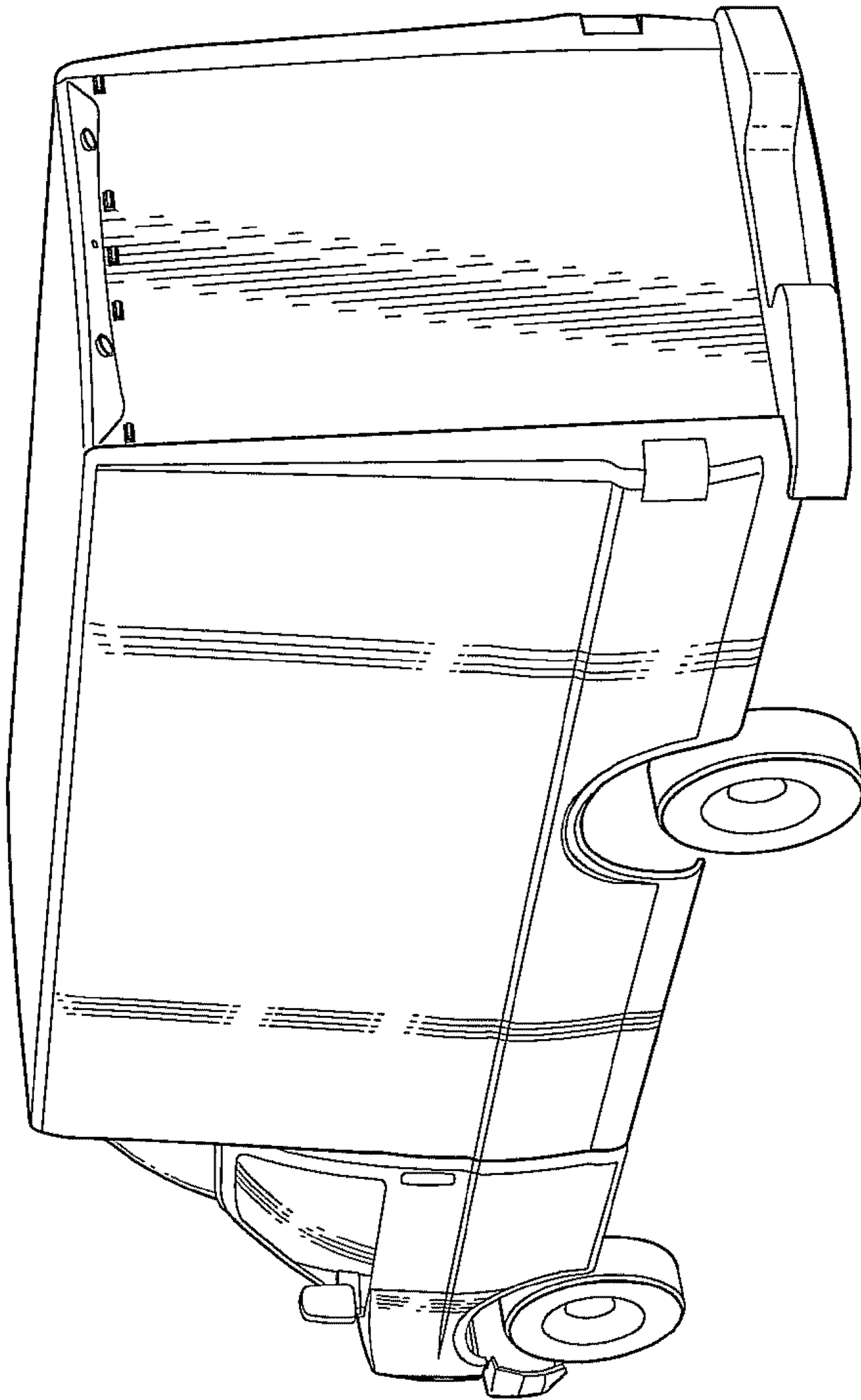


Fig-2