



US00D656865S

(12) **United States Design Patent**  
**Keyaki**

(10) **Patent No.:** **US D656,865 S**

(45) **Date of Patent:** **\*\* Apr. 3, 2012**

(54) **PULL-TAB OF SLIDER FOR SLIDE FASTENER**

D479,152 S \* 9/2003 Yamazaki et al. .... D11/221  
D479,811 S \* 9/2003 Yamazaki et al. .... D11/221  
D483,692 S \* 12/2003 Ritter ..... D11/221

(75) Inventor: **Keiichi Keyaki**, Toyama-ken (JP)

\* cited by examiner

(73) Assignee: **YKK Corporation** (JP)

*Primary Examiner* — Ralf Seifert

(\*\*) Term: **14 Years**

(74) *Attorney, Agent, or Firm* — Kilpatrick Townsend & Stockton LLP

(21) Appl. No.: **29/390,382**

(57) **CLAIM**

(22) Filed: **Apr. 25, 2011**

The ornamental design for a pull-tab of slider for slide fastener, as shown and described.

(30) **Foreign Application Priority Data**

**DESCRIPTION**

Oct. 26, 2010 (JP) ..... D2010-025721

(51) **LOC (9) Cl.** ..... **02-07**

(52) **U.S. Cl.** ..... **D11/221**

(58) **Field of Classification Search** ..... D11/200,  
D11/201, 221; 24/381–383, 385–387, 414–417,  
24/421–422, 427–431, 433; 2/265  
See application file for complete search history.

FIG. 1 is a perspective view of the top, rear and left side of a pull-tab of slider for slide fastener showing my (our) new design;

FIG. 2 is a front view thereof;

FIG. 3 is a rear view thereof;

FIG. 4 is a top plan view thereof;

FIG. 5 is a bottom view thereof;

FIG. 6 is a right side view thereof; and,

FIG. 7 is a reference view of usage.

The portions shown in broken lines are for illustrative purpose only and form no part of the claimed design.

(56) **References Cited**

**U.S. PATENT DOCUMENTS**

D321,492 S \* 11/1991 Takemura ..... D11/221

D324,663 S \* 3/1992 Ebata ..... D11/221

**1 Claim, 6 Drawing Sheets**

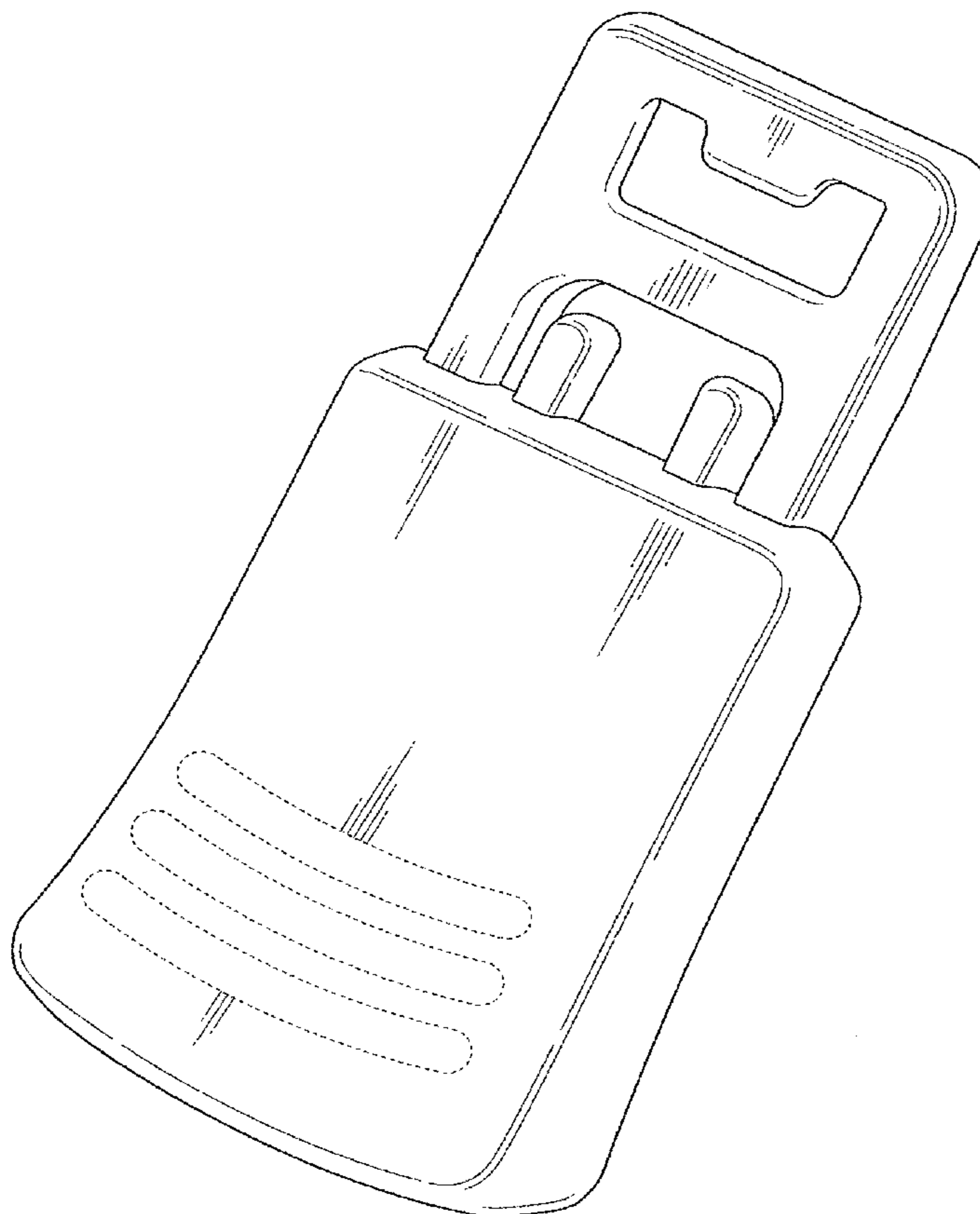


Fig. 1

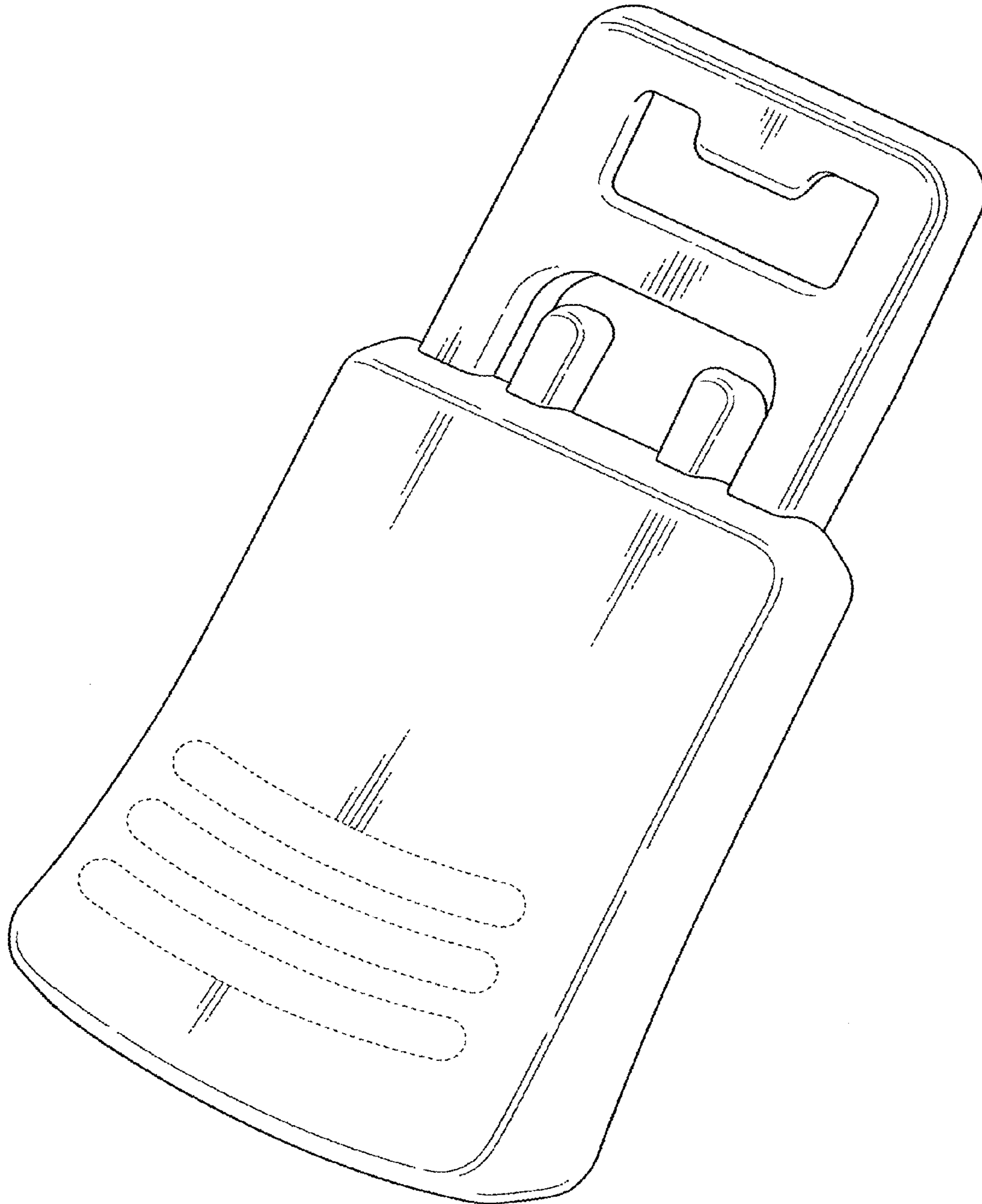


Fig. 2

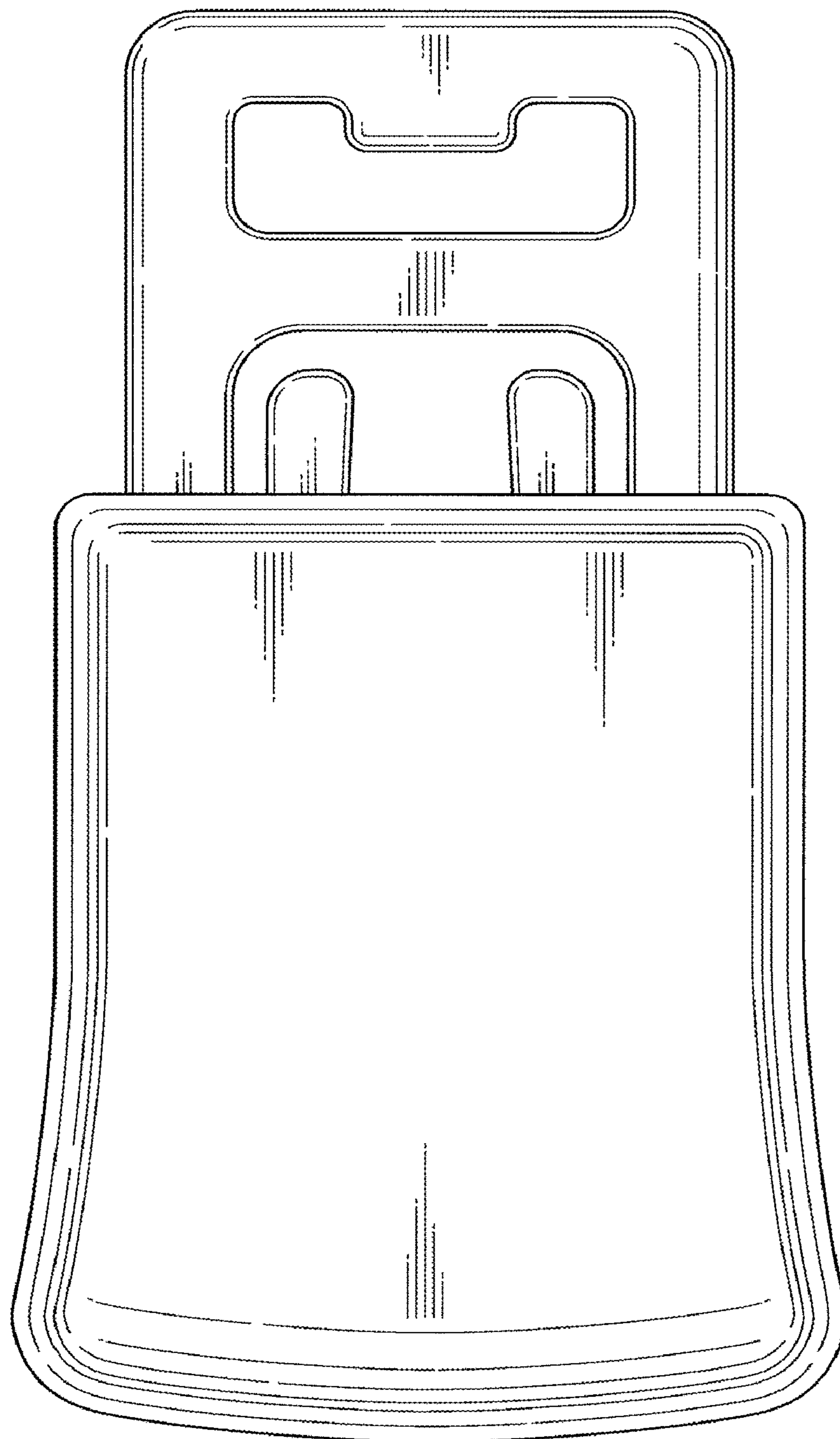


Fig. 3

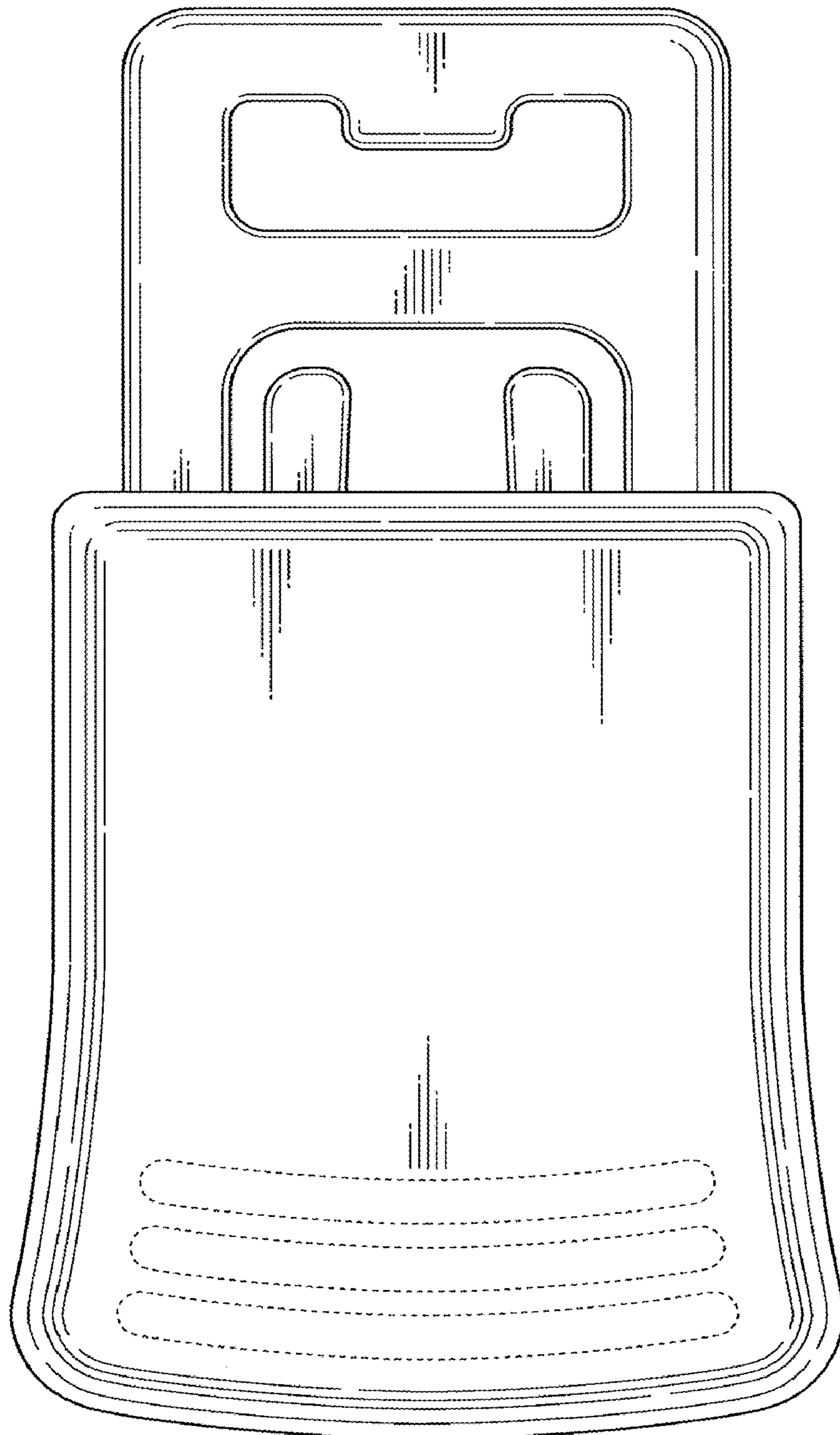


Fig. 4

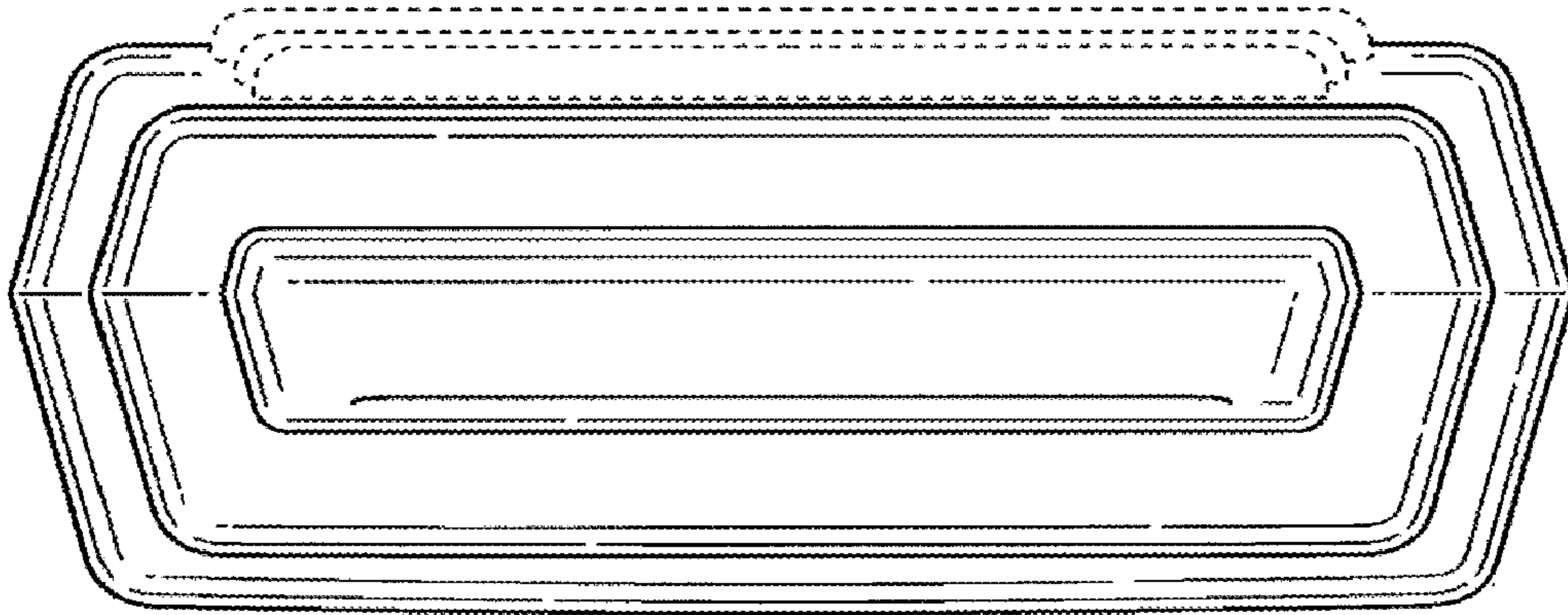


Fig. 5

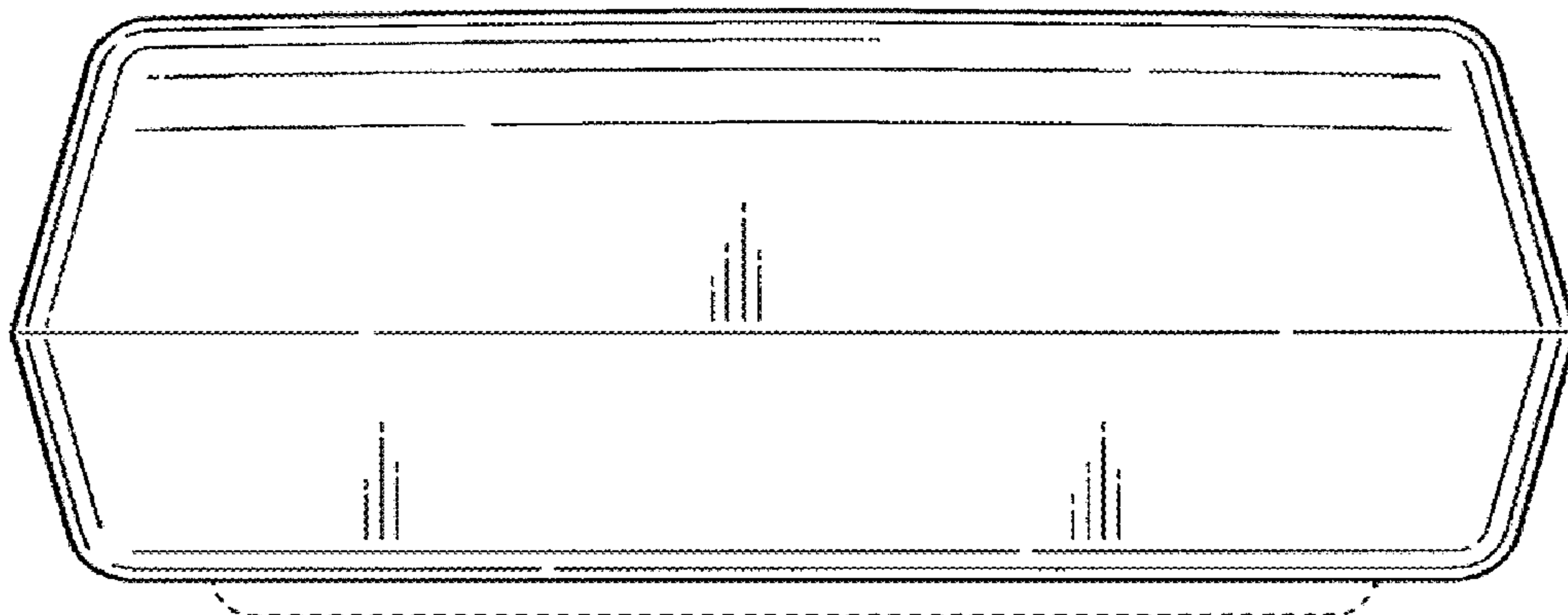


Fig. 6

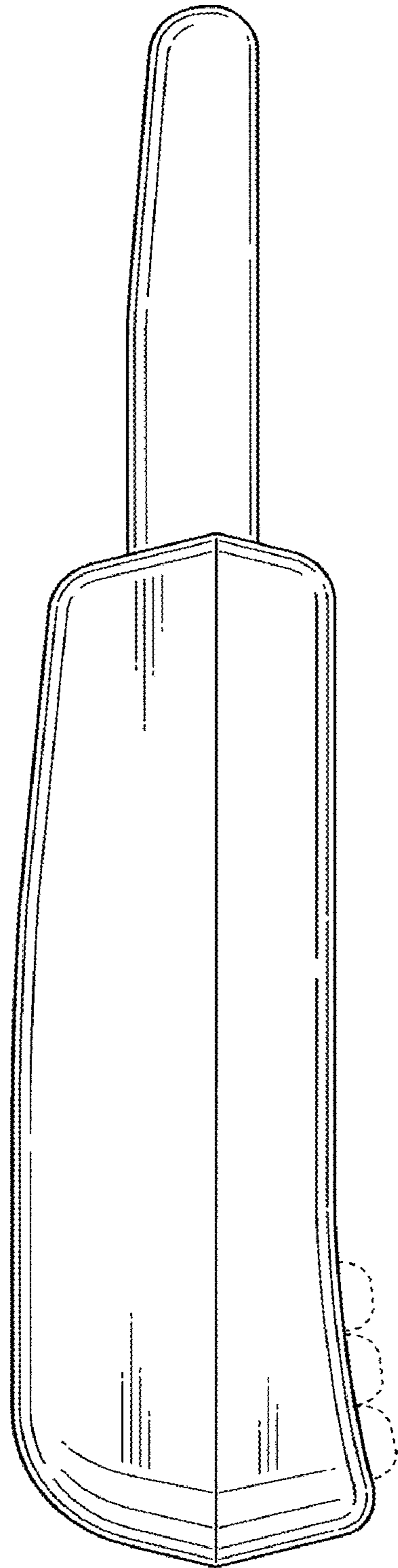


Fig. 7

