

US00D656859S

(12) **United States Design Patent**
Pitaniello

(10) **Patent No.:** **US D656,859 S**

(45) **Date of Patent:** **** Apr. 3, 2012**

(54) **JEWELRY OR FASHION ELEMENT**

(75) Inventor: **Kristina Pitaniello**, Boston, MA (US)

(73) Assignee: **Kristina Pitaniello**, Boston, MA (US)

(**) Term: **14 Years**

(21) Appl. No.: **29/365,284**

(22) Filed: **Jul. 7, 2010**

(51) **LOC (9) Cl.** **11-01**

(52) **U.S. Cl.** **D11/86; D11/1**

(58) **Field of Classification Search** D11/1,
D11/2, 3-25, 79, 80, 81, 82, 86; 63/1.11,
63/12, 7, 35; D2/705, 999; D3/318, 322,
D3/327, 328, 232

See application file for complete search history.

(56) **References Cited**

U.S. PATENT DOCUMENTS

D144,060 S *	3/1946	Leifer et al.	D3/324
D159,636 S *	8/1950	Katz	D11/4
D172,012 S *	4/1954	Erlander	D11/86
D261,123 S *	10/1981	Saffran et al.	D11/86
D300,519 S *	4/1989	Crane	D11/4
D360,161 S *	7/1995	Wendelstein	D11/4
D417,787 S *	12/1999	Wathne et al.	D3/318
D440,523 S *	4/2001	Kurylo	D11/93
D492,908 S *	7/2004	Njai et al.	D11/4
D516,406 S *	3/2006	Brammer et al.	D8/300
7,178,365 B2	2/2007	Pitaniello	
D572,483 S *	7/2008	Gonzalez	D3/318

D575,658 S *	8/2008	Lee	D11/4
D583,154 S *	12/2008	Gonzalez	D3/318
D597,436 S *	8/2009	Bowdish	D11/4
D600,585 S *	9/2009	Fox	D11/26
D637,105 S *	5/2011	Bachelder	D11/86

* cited by examiner

Primary Examiner — Cathron Brooks

Assistant Examiner — Melanie Pellegrini

(74) *Attorney, Agent, or Firm* — Occhiuti Rohlicek & Tsao LLP

(57) **CLAIM**

The ornamental design for a jewelry or fashion element, as shown and described.

DESCRIPTION

FIG. 1 is a front perspective view of a jewelry or fashion element showing my new design;

FIG. 2 is a top plan view thereof;

FIG. 3 is a bottom plan view thereof;

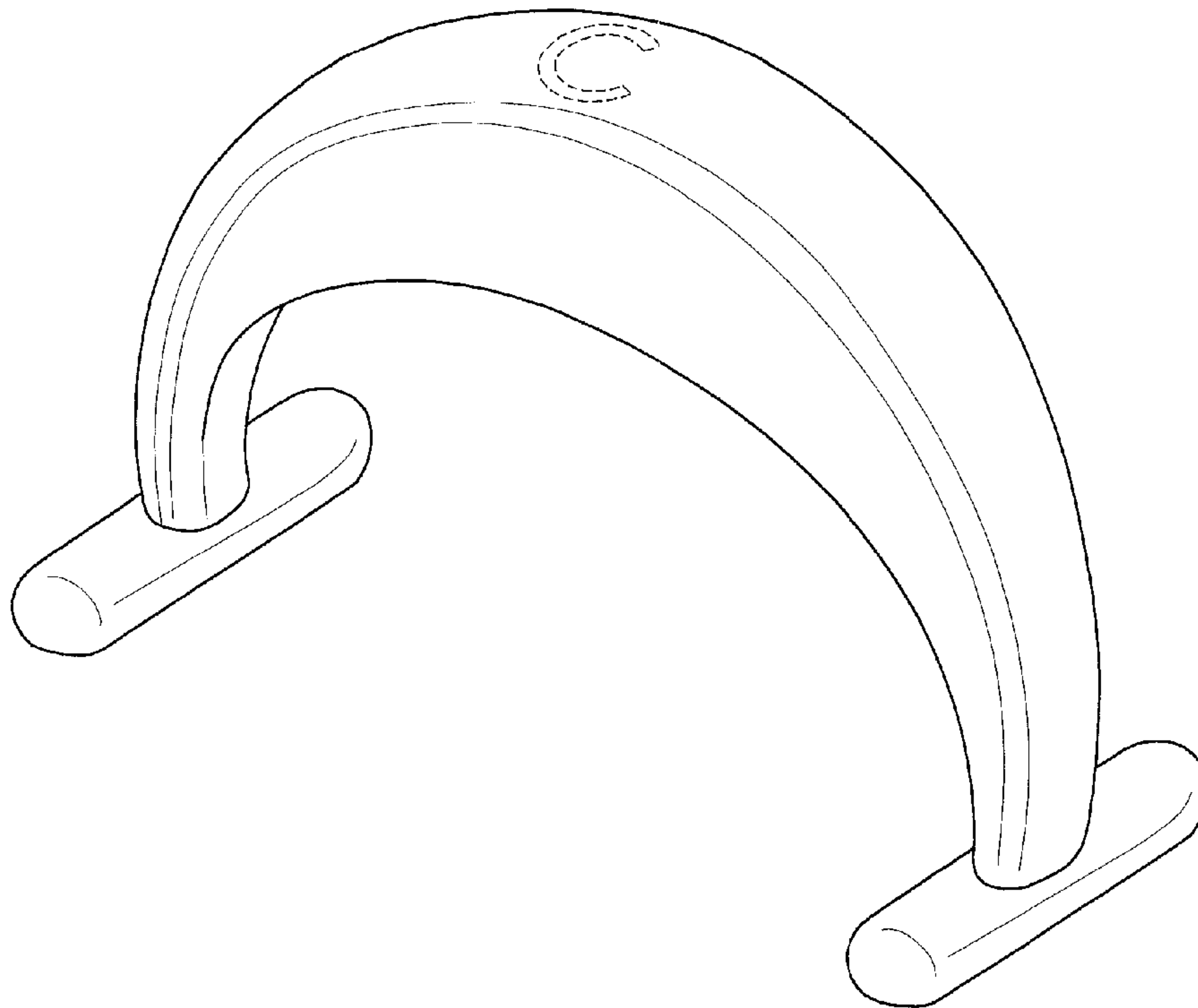
FIG. 4 is a front elevational view thereof, the rear view being identical thereto;

FIG. 5 is a side elevational view thereof; and,

FIG. 6 is a front perspective view thereof.

The broken lines shown in the drawings represent unclaimed portions of the jewelry or fashion element as well as environmental matter and form no part of the claimed design.

1 Claim, 4 Drawing Sheets



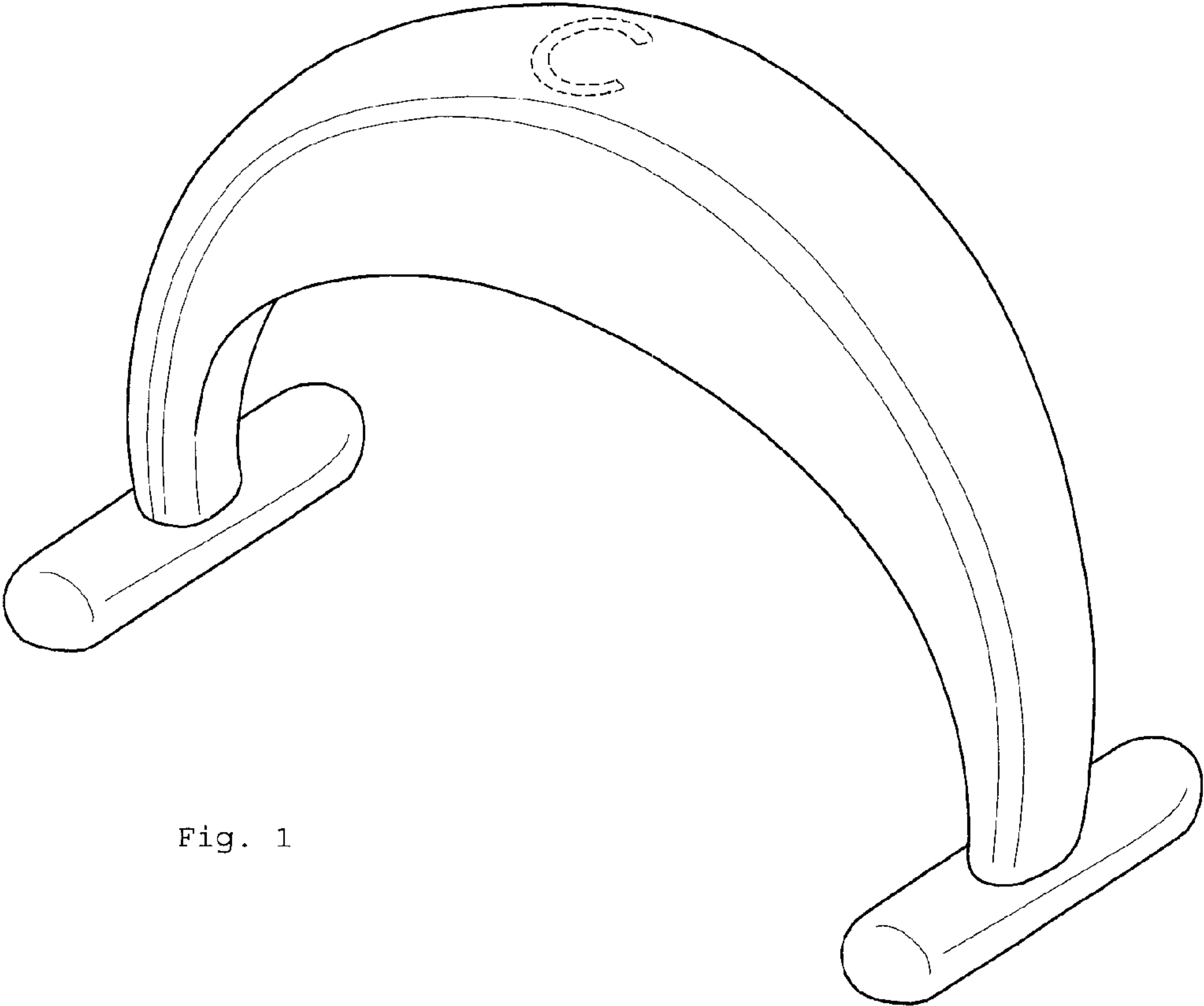


Fig. 1

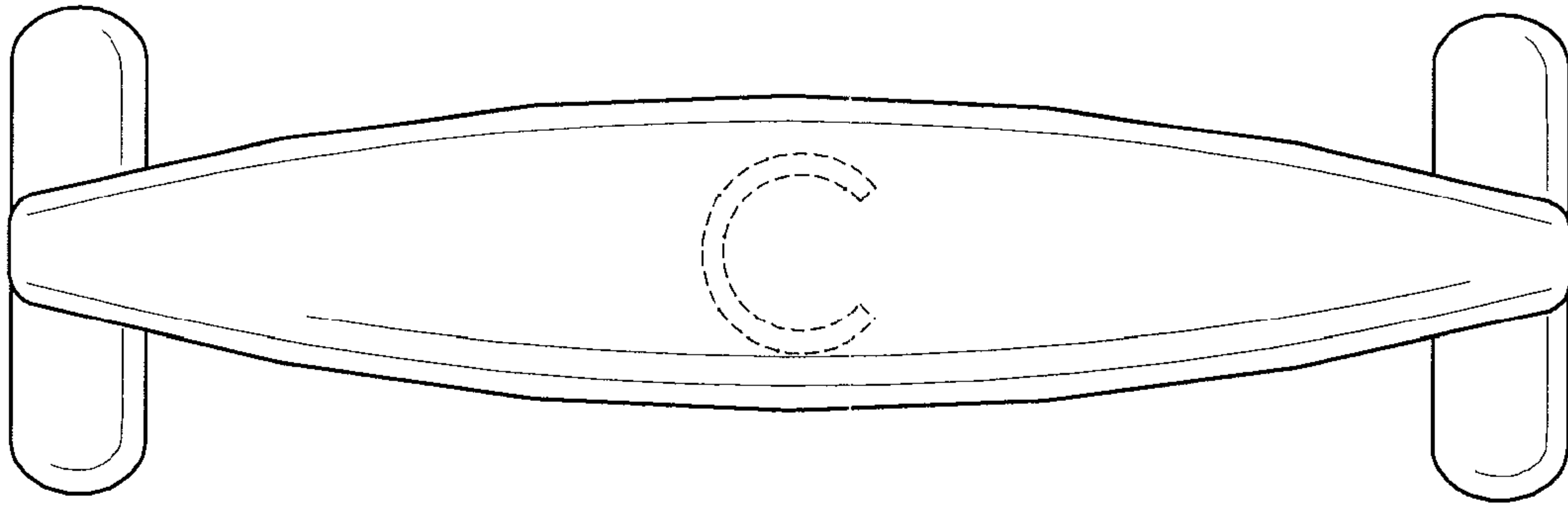


Fig. 2

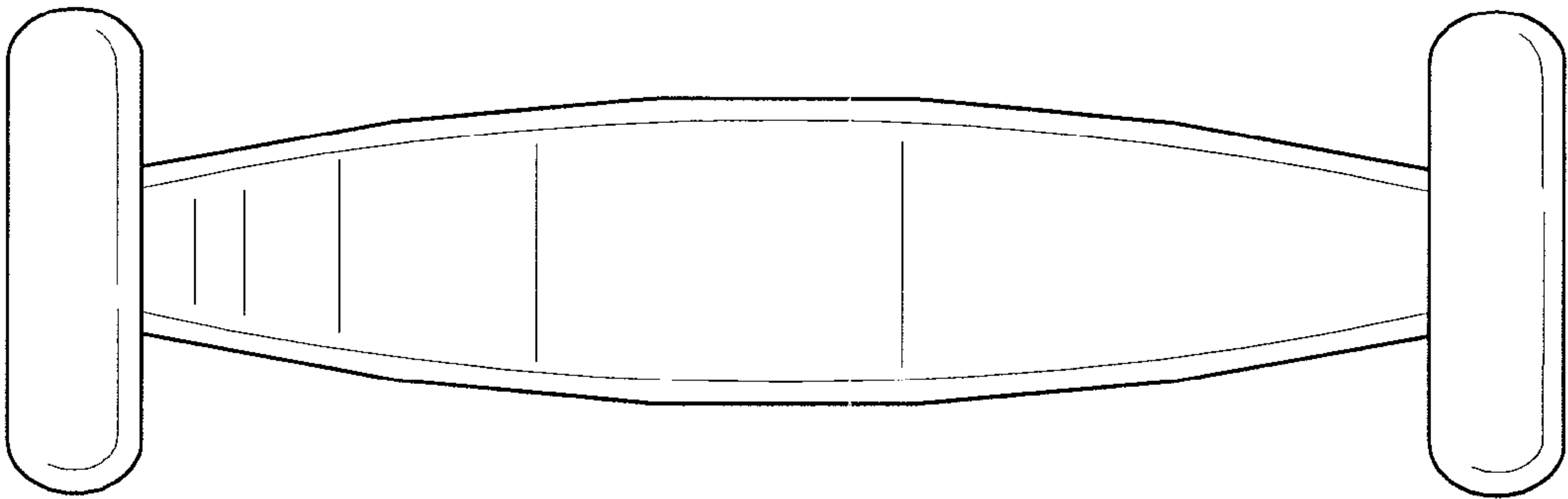


Fig. 3

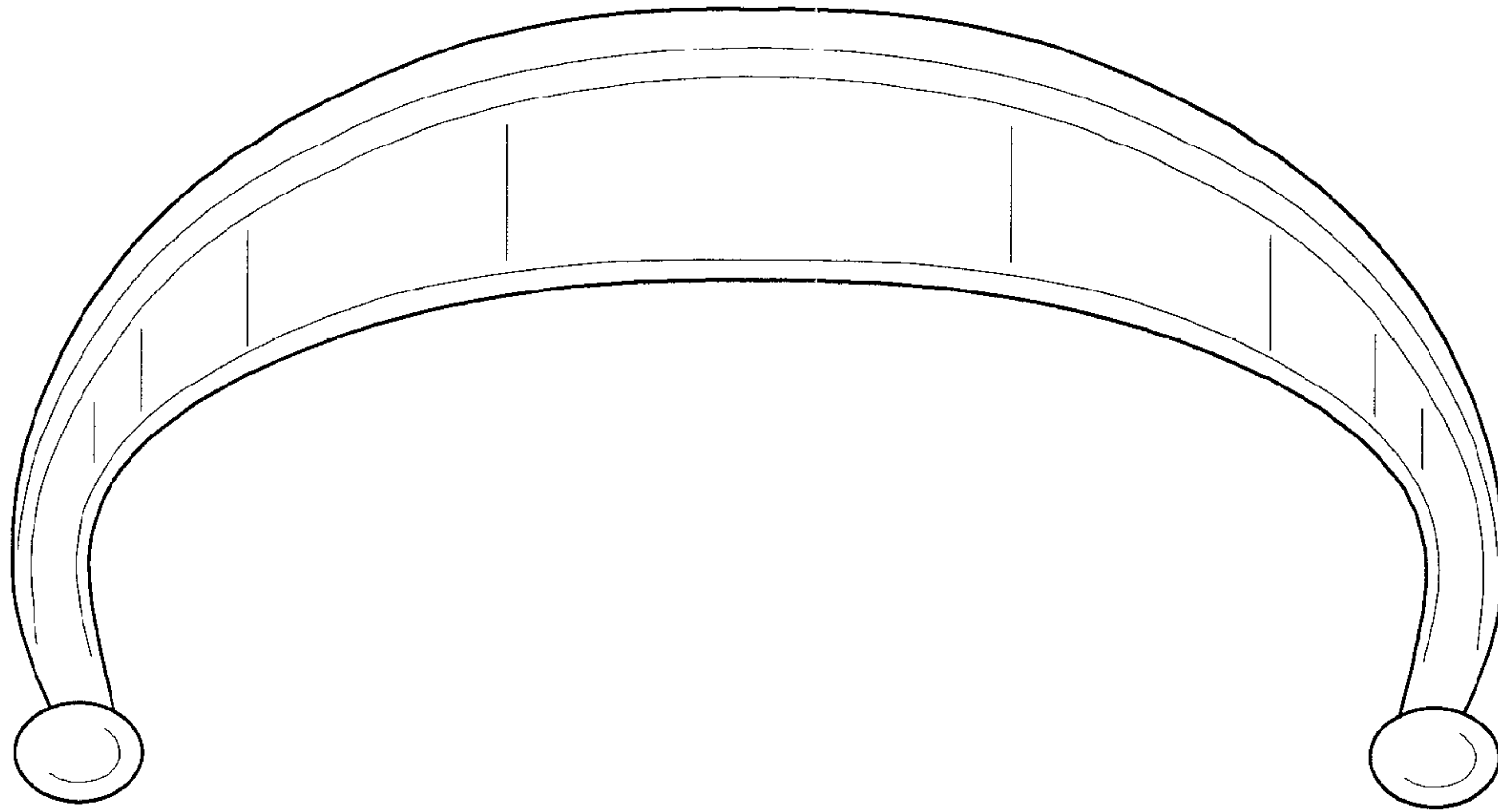


Fig. 4

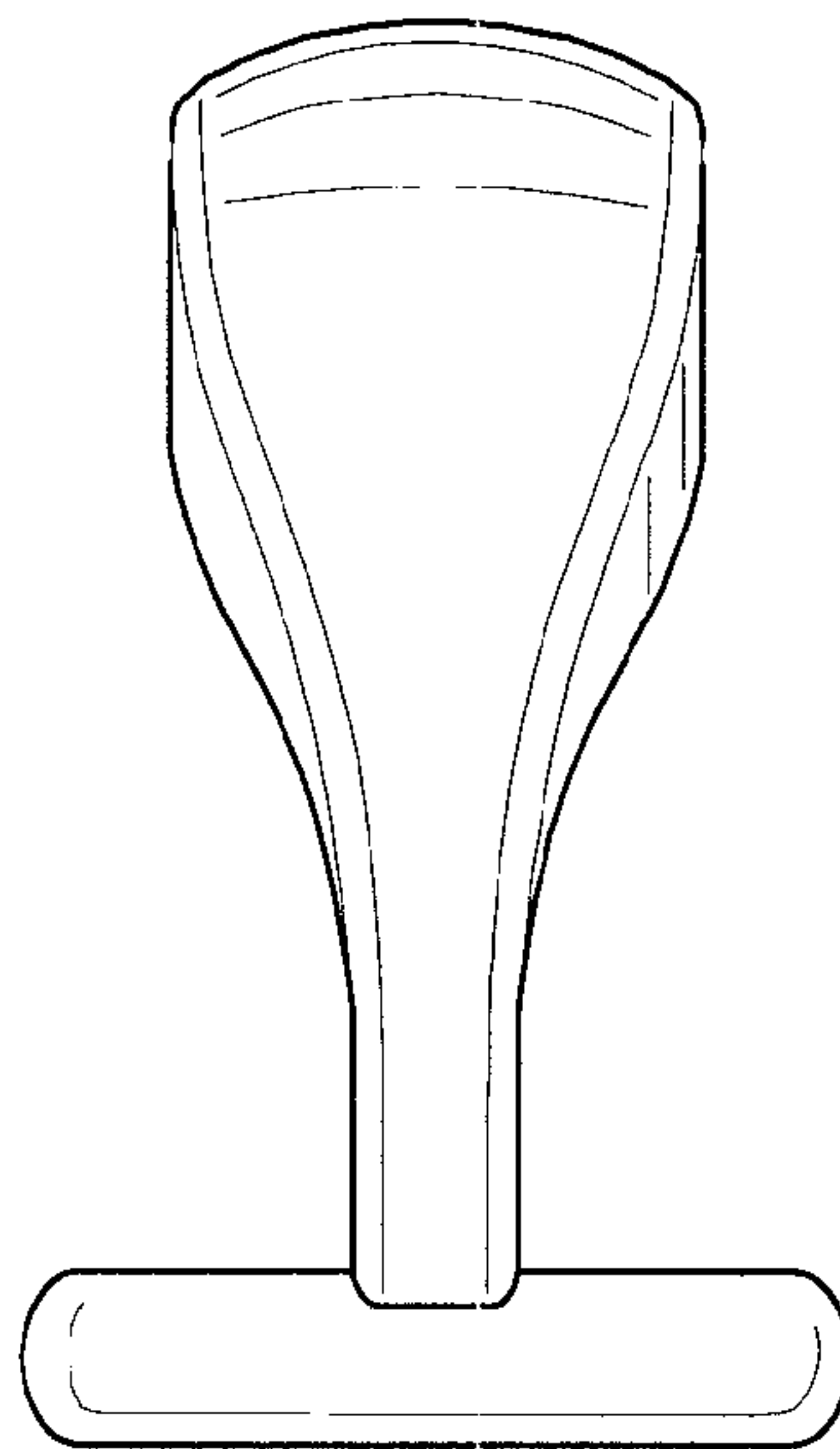


Fig. 5

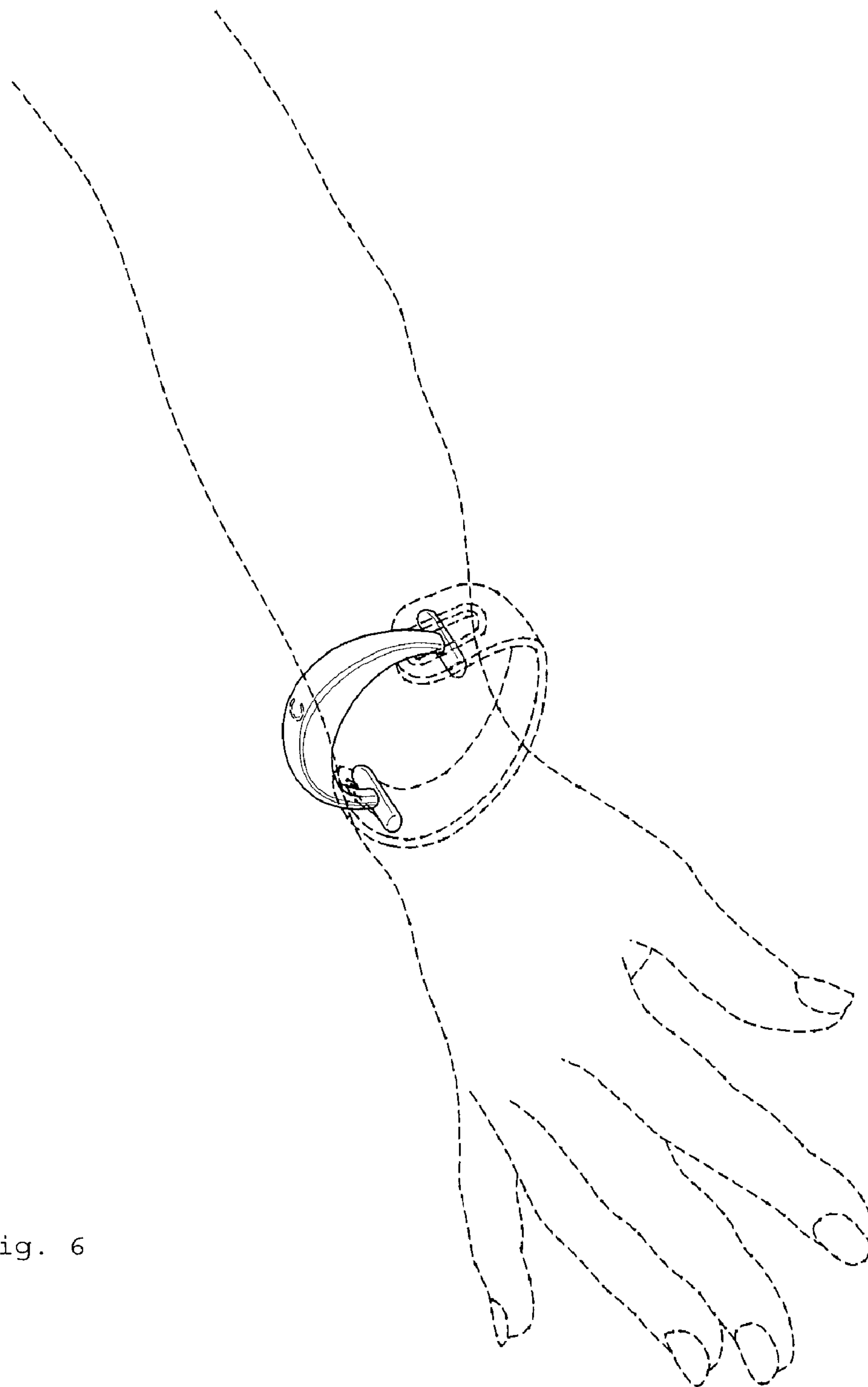


Fig. 6