



US00D656854S

(12) **United States Design Patent**  
**Cronson et al.**

(10) **Patent No.:** **US D656,854 S**

(45) **Date of Patent:** **\*\* Apr. 3, 2012**

(54) **FOOTBALL WATCH DIAL**

(75) Inventors: **Don Cronson**, Englewood, NJ (US);  
**Stuart J. Kerzner**, Hallandale, FL (US);  
**Morris Goldman**, Ft. Lauderdale, FL  
(US)

(73) Assignee: **Overtime Watch Corp.**, Hallandale, FL  
(US)

(\*\*) Term: **14 Years**

(21) Appl. No.: **29/374,724**

(22) Filed: **Sep. 24, 2011**

(51) **LOC (9) Cl.** ..... **10-07**

(52) **U.S. Cl.** ..... **D10/126; D10/35**

(58) **Field of Classification Search** ..... D10/122-126,  
D10/30-39, 6, 8; 368/223, 228, 232, 80,  
368/238, 239, 229, 233, 234

See application file for complete search history.

(56) **References Cited**

**U.S. PATENT DOCUMENTS**

D83,746 S *	3/1931	Oppenheim	.....	D10/35
D159,421 S *	7/1950	Kaufman	.....	D10/8
2,536,237 A *	1/1951	Thompson	.....	368/229
D181,620 S *	12/1957	Bloch	.....	D10/124
3,763,648 A *	10/1973	Pakter et al.	.....	368/41
3,934,405 A *	1/1976	Baker	.....	368/233
D239,439 S *	4/1976	Davis	.....	D10/39
D241,625 S *	9/1976	O'Brien	.....	D10/8
4,421,420 A *	12/1983	Ushikoshi	.....	368/229
4,899,324 A *	2/1990	Barbieri et al.	.....	368/76
D319,408 S *	8/1991	Baum	.....	D10/125
D319,409 S *	8/1991	Baum	.....	D10/125
D333,439 S *	2/1993	Quinn, Sr.	.....	D10/34
5,216,642 A *	6/1993	Ridders	.....	368/10
D345,307 S *	3/1994	Wada et al.	.....	D10/22
D345,320 S *	3/1994	Kaneko	.....	D10/126

D346,129 S *	4/1994	Kaneko	.....	D10/126
D351,116 S *	10/1994	Kamei	.....	D10/126
D351,356 S *	10/1994	Kaneko	.....	
D351,357 S *	10/1994	Itoh	.....	D10/126
D351,359 S *	10/1994	Kaneko	.....	D10/126
D353,779 S *	12/1994	Kaneko	.....	D10/32
D360,833 S *	8/1995	Rodrigues	.....	D10/8
D482,294 S *	11/2003	Stanton	.....	D10/126
D521,877 S *	5/2006	Whyte	.....	D10/6
D546,205 S *	7/2007	Vetter et al.	.....	D10/33
D547,224 S *	7/2007	Cramer	.....	D10/126
D552,002 S *	10/2007	Eisler	.....	D10/126
D553,013 S *	10/2007	Foster	.....	D10/6
D586,683 S *	2/2009	Pitton	.....	D10/126
D626,876 S *	11/2010	Jones	.....	D10/124

\* cited by examiner

*Primary Examiner* — Lucy Lieberman

(74) *Attorney, Agent, or Firm* — Knechtel, Demeur & Samlan

(57) **CLAIM**

We claim the ornamental design for a football watch dial, as shown and described.

**DESCRIPTION**

FIG. 1 is a front elevational view of a watch dial showing our new design;

FIG. 2 is a rear elevational view thereof;

FIG. 3 is a bottom plan view thereof, the top being the mirror image thereof;

FIG. 4 is a right side elevational view thereof, the left side being the mirror image thereof; and,

FIG. 5 is a front elevational view of the watch dial of FIG. 1 with the dial in a second position.

The broken lines in FIGS. 1 and 5 are used to show hour and minute hands that do not form part of the claimed design. The broken line in FIG. 2 is used to show a portion of the watch dial that does not form part of the claimed design.

**1 Claim, 1 Drawing Sheet**

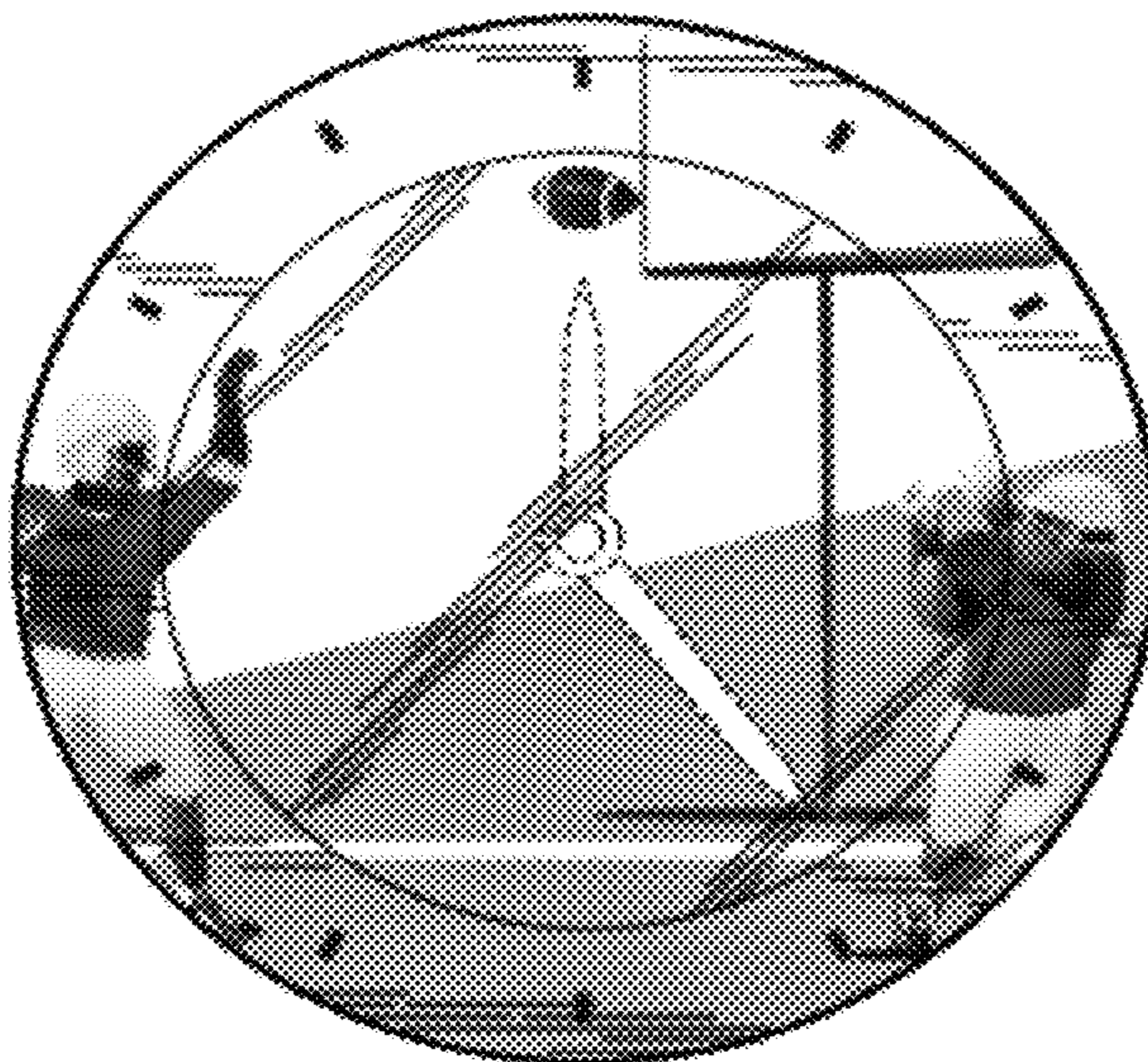


Fig. 1

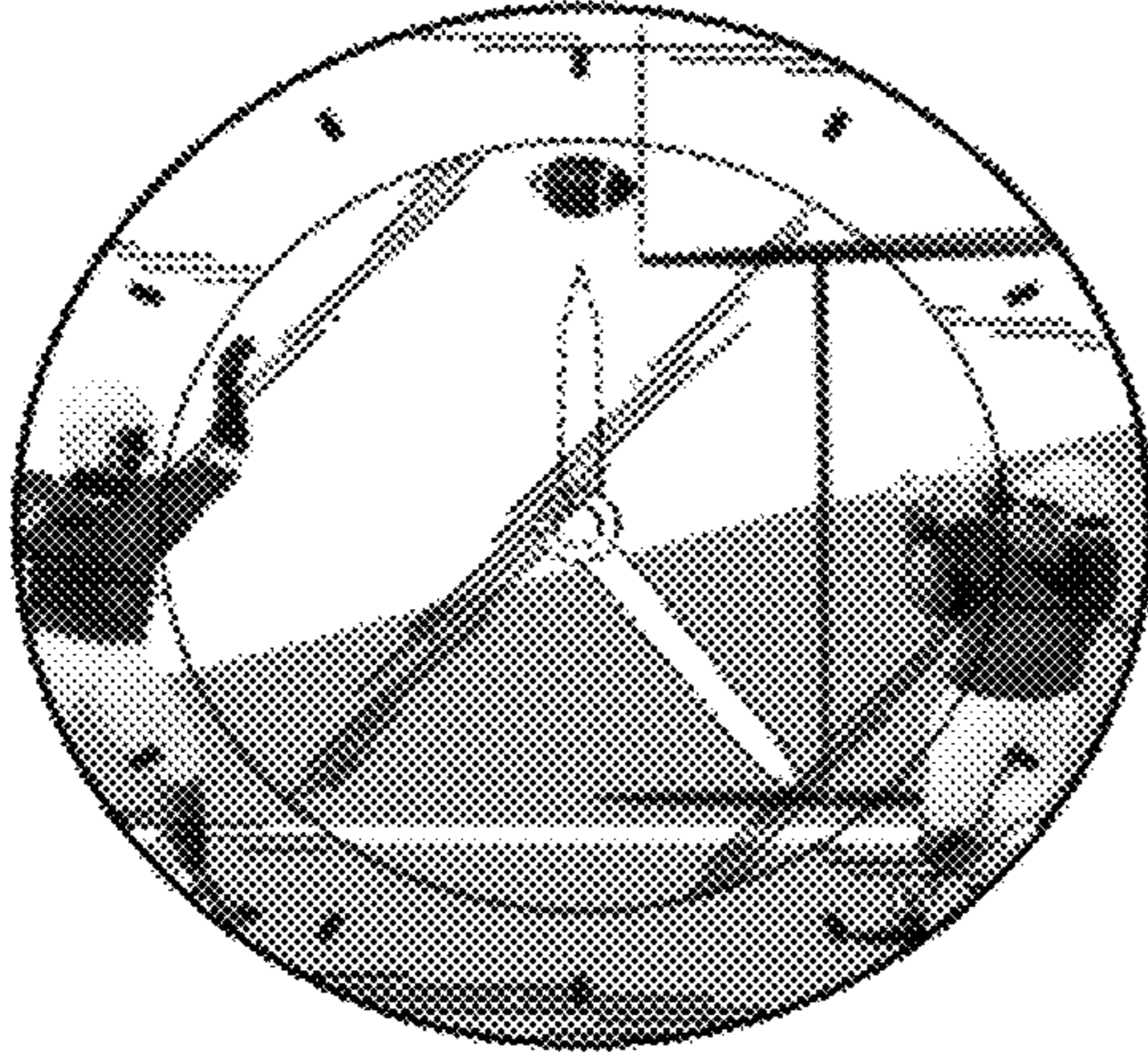


Fig. 2

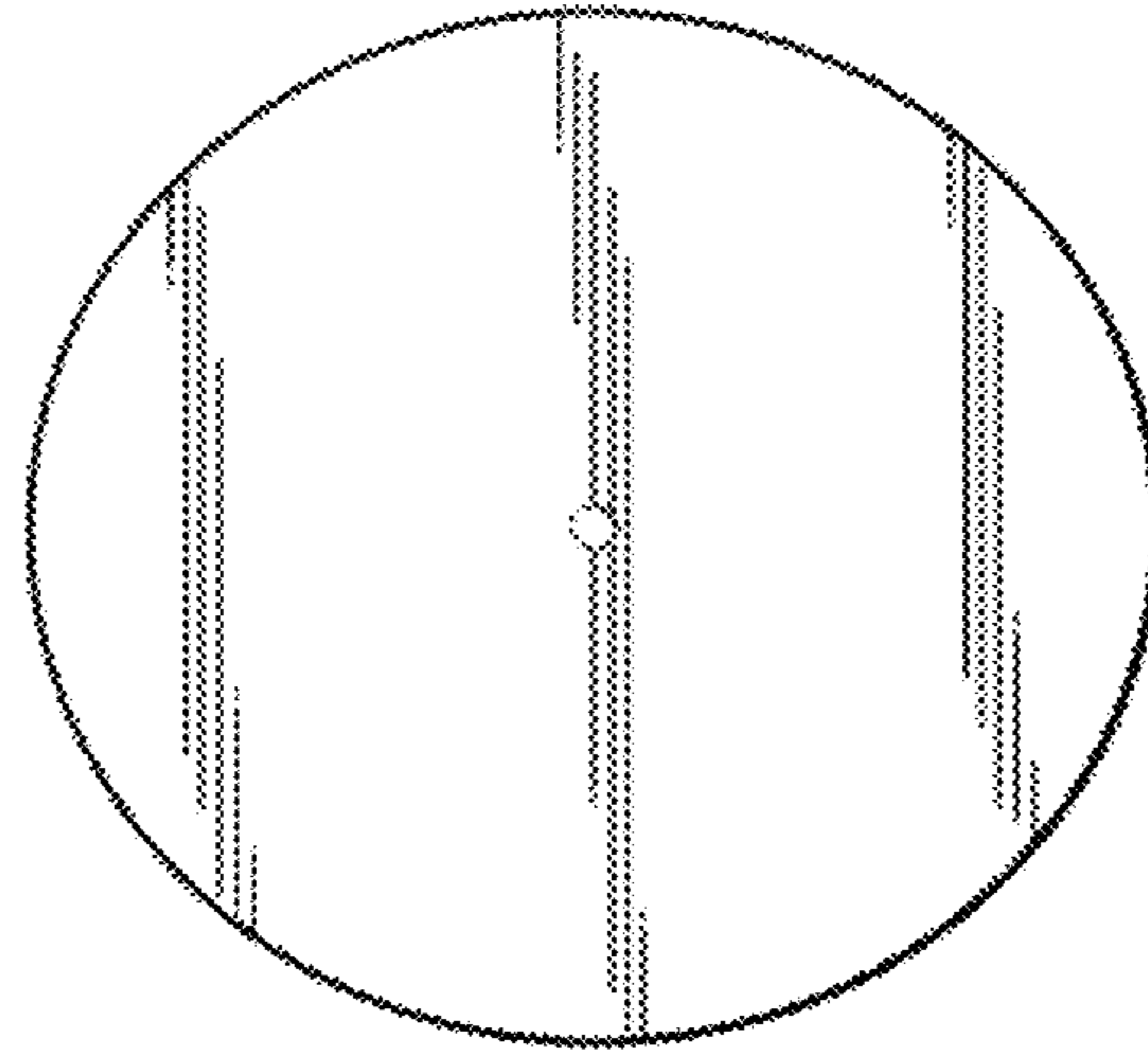


Fig. 3

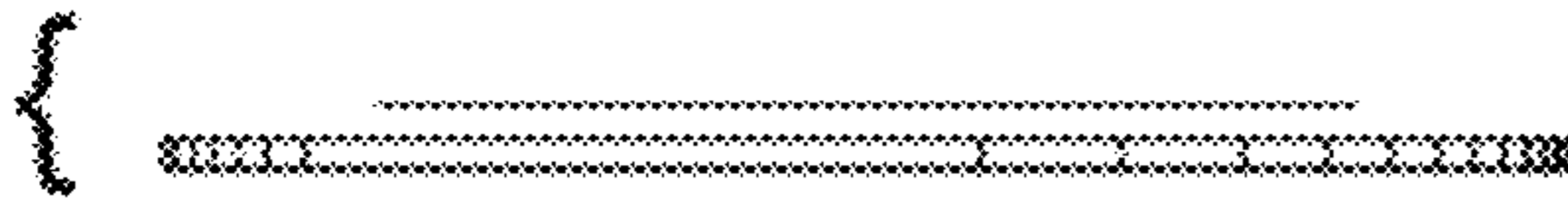


Fig. 4

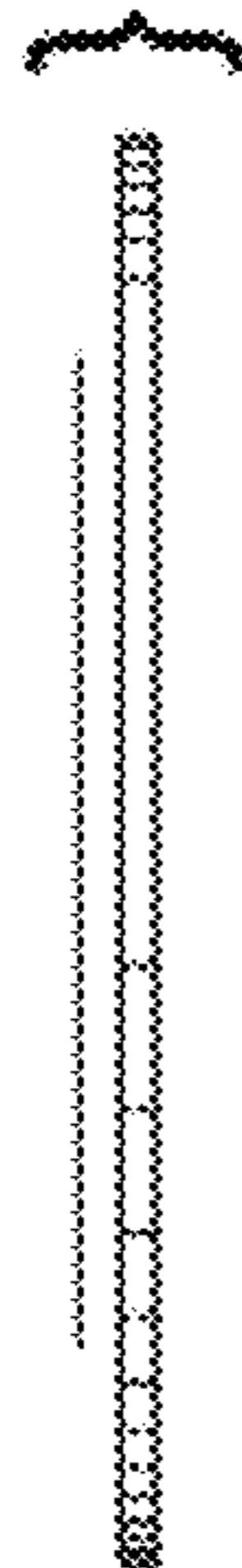


Fig. 5

