



US00D656852S

(12) **United States Design Patent**
Granius et al.

(10) **Patent No.:** **US D656,852 S**
(45) **Date of Patent:** **** Apr. 3, 2012**

(54) **WETNESS INDICATOR**

(75) Inventors: **Marty J. Granius**, Menasha, WI (US);
Paula K. DeBruin, Sherwood, WI (US);
Joy Patricia Bauman, Neenah, WI
(US); **Marcille Faye Ruman**, Oshkosh,
WI (US)

(73) Assignee: **Kimberly-Clark Worldwide, Inc.**,
Neenah, WI (US)

(**) Term: **14 Years**

(21) Appl. No.: **29/367,398**

(22) Filed: **Aug. 6, 2010**

(51) **LOC (9) Cl.** **10-04**

(52) **U.S. Cl.** **D10/101**

(58) **Field of Classification Search** D10/56,
D10/101; D24/124, 126; 374/162; 422/401;
604/360, 361

See application file for complete search history.

(56) **References Cited**

U.S. PATENT DOCUMENTS

3,580,079	A *	5/1971	Crites et al.	374/160
3,675,654	A	7/1972	Baker et al.	
3,731,685	A	5/1973	Eidus	
4,022,211	A	5/1977	Timmons et al.	
4,100,324	A	7/1978	Anderson et al.	
4,192,311	A	3/1980	Felfoldi	
4,292,916	A	10/1981	Bradley et al.	
4,327,731	A	5/1982	Powell	
4,366,241	A	12/1982	Tom et al.	
4,541,987	A *	9/1985	Guadagno	422/401
4,703,017	A *	10/1987	Campbell et al.	436/501

(Continued)

FOREIGN PATENT DOCUMENTS

DE 10 2007 006 230 A1 8/2008
(Continued)

OTHER PUBLICATIONS

U.S. Appl. No. 12/503,364, filed Jul. 15, 2009.
(Continued)

Primary Examiner — Antoine D Davis

(74) *Attorney, Agent, or Firm* — Dority & Manning, P.A.

(57) **CLAIM**

The ornamental design for a wetness indicator, as shown and described.

DESCRIPTION

FIG. 1 is a full perspective view of a first embodiment of a wetness indicator on an absorbent article showing the design; FIG. 2 is a front view of wetness indicator of FIG. 1; FIG. 3 is a rear view of the absorbent article of FIG. 1; FIG. 4 is a top view of the absorbent article of FIG. 1; FIG. 5 is a bottom view of the absorbent article of FIG. 1; FIG. 6 is a left side view of the absorbent article of FIG. 1; FIG. 7 is a right side view of the absorbent article of FIG. 1; FIG. 8 is a front perspective view of the wetness indicator on a substrate;

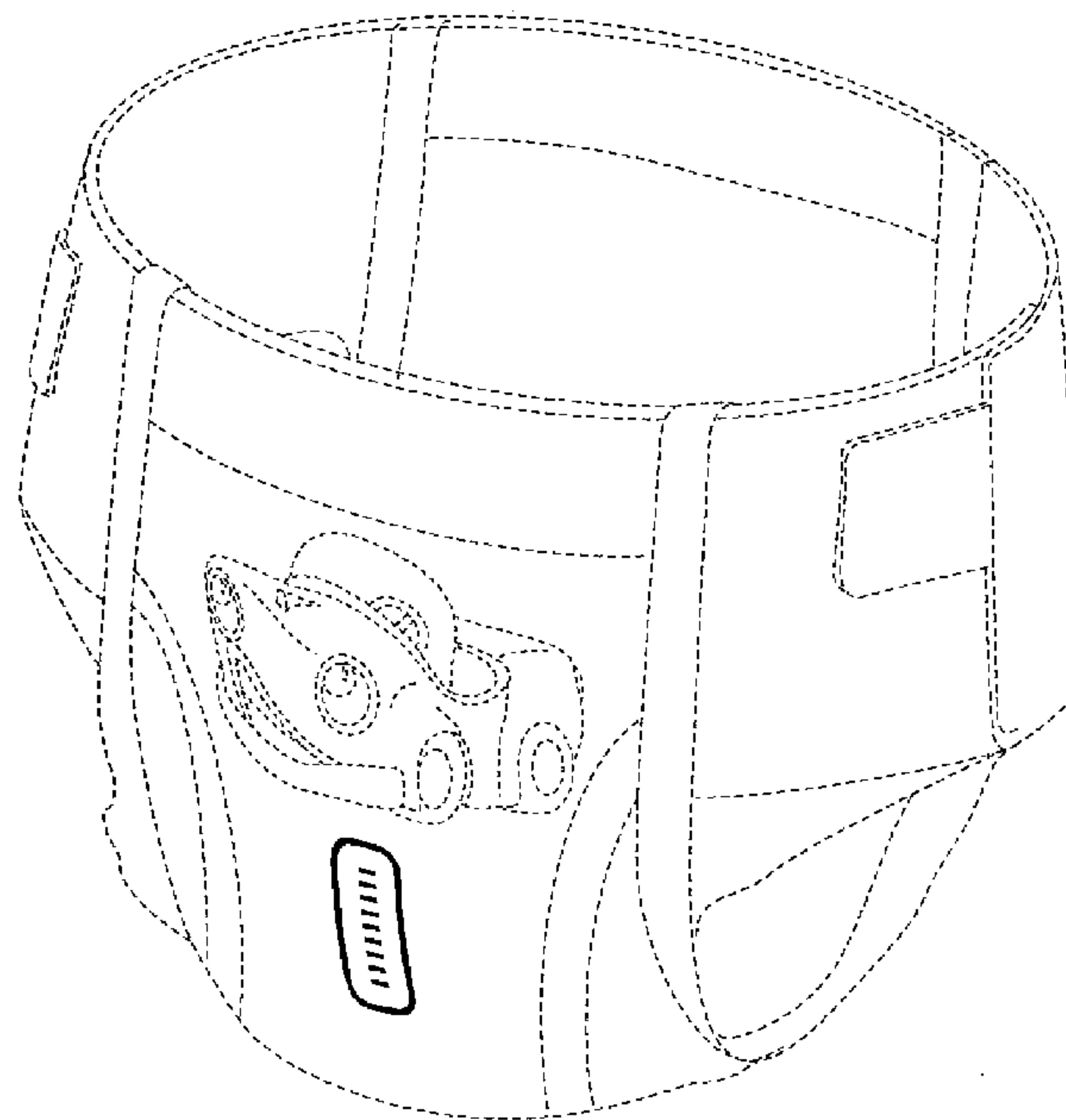
FIG. 9 is another embodiment of a wetness indicator on a substrate;

FIG. 10 is another embodiment of a wetness indicator on a substrate; and,

FIG. 11 is another embodiment of a wetness indicator on a substrate.

The claimed design comprises the elements shown in solid lines, the absorbent article shown in dotted lines in FIGS. 1 through 7 forming no part of the claimed design.

1 Claim, 11 Drawing Sheets



US D656,852 S

U.S. PATENT DOCUMENTS

4,734,238	A	3/1988	Sugimori et al.	
4,812,053	A	3/1989	Bhattacharjee	
4,903,254	A	2/1990	Haas	
4,931,051	A	6/1990	Castello	
4,940,464	A	7/1990	Van Gompel et al.	
4,987,849	A	1/1991	Sherman	
5,006,711	A	4/1991	Hamashima et al.	
5,045,283	A	9/1991	Patel	
5,053,339	A	10/1991	Patel	
5,058,088	A	10/1991	Haas et al.	
5,089,548	A	2/1992	Zimmel et al.	
5,130,290	A	7/1992	Tanimoto	
5,284,703	A	2/1994	Everhart et al.	
5,350,624	A	9/1994	Georger et al.	
5,350,625	A	9/1994	Peterson et al.	
5,352,582	A	10/1994	Lichtenwalter et al.	
5,389,093	A	2/1995	Howell	
5,468,236	A	11/1995	Everhart et al.	
5,486,166	A	1/1996	Bishop et al.	
5,490,846	A	2/1996	Ellis et al.	
5,645,542	A	7/1997	Anjur et al.	
5,726,435	A	3/1998	Hara et al.	
5,766,389	A	6/1998	Brandon et al.	
5,820,973	A	10/1998	Dodge, II et al.	
5,854,148	A	12/1998	Asada et al.	
5,954,512	A	9/1999	Fruge	
5,989,923	A	11/1999	Lowe et al.	
6,200,765	B1	3/2001	Murphy et al.	
6,294,392	B1	9/2001	Kuhr et al.	
6,297,424	B1	10/2001	Olson et al.	
6,307,119	B1	10/2001	Cammarota et al.	
6,362,389	B1	3/2002	McDowall et al.	
6,436,651	B1	8/2002	Everhart et al.	
6,596,918	B1	7/2003	Wehrle et al.	
6,610,386	B2	8/2003	Williams et al.	
6,635,797	B2	10/2003	Olson et al.	
6,645,190	B1	11/2003	Olson et al.	
6,710,221	B1	3/2004	Pierce et al.	
6,713,660	B1	3/2004	Roe et al.	
6,722,886	B2	4/2004	Blumberg	
6,772,708	B2	8/2004	Klofta et al.	
6,786,412	B2	9/2004	Shimizu	
6,856,249	B2	2/2005	Strubbe et al.	
6,904,865	B2	6/2005	Klofta et al.	
6,997,384	B2	2/2006	Hara	
7,053,029	B2	5/2006	MacDonald et al.	
7,159,532	B2	1/2007	Klofta et al.	
7,195,165	B2	3/2007	Kesler et al.	
7,282,349	B2	10/2007	Lye et al.	
7,300,770	B2	11/2007	Martin et al.	
7,306,764	B2	12/2007	Mody	
7,321,315	B2	1/2008	Brumm et al.	
7,332,642	B2	2/2008	Liu	
7,355,090	B2	4/2008	Ales et al.	
7,399,608	B2	7/2008	MacDonald et al.	
7,413,550	B2	8/2008	MacDonald et al.	
7,476,443	B2	1/2009	Huang et al.	
7,531,319	B2	5/2009	Martin et al.	
7,561,989	B2	7/2009	Banks et al.	
7,582,485	B2	9/2009	Boga et al.	
7,592,020	B2	9/2009	Boga et al.	
7,674,747	B1	3/2010	Long	
7,687,245	B2	3/2010	Lye et al.	
7,718,844	B2	5/2010	Olson	
7,722,357	B2	5/2010	Payette-Hebert et al.	
D617,896	S *	6/2010	Noel et al. D24/124	
7,727,513	B2	6/2010	MacDonald et al.	
7,750,202	B2	7/2010	Niemeyer	
7,829,181	B2	11/2010	MacDonald et al.	
7,837,663	B2	11/2010	MacDonald et al.	
7,879,744	B2	2/2011	Seidling et al.	
D639,934	S *	6/2011	Noel et al. D24/124	

2001/0031954	A1	10/2001	Jordan et al.	
2002/0016579	A1 *	2/2002	Stenberg 604/361	
2004/0078219	A1	4/2004	Kaylor et al.	
2005/0065489	A1	3/2005	Driskell et al.	
2005/0101841	A9	5/2005	Kaylor et al.	
2005/0112085	A1	5/2005	MacDonald et al.	
2005/0137542	A1	6/2005	Underhill et al.	
2005/0217791	A1	10/2005	Costello et al.	
2005/0252967	A1	11/2005	Kesler et al.	
2006/0069360	A1	3/2006	Long et al.	
2006/0069361	A1	3/2006	Olson	
2006/0149197	A1	7/2006	Niemeyer	
2006/0223052	A1	10/2006	MacDonald et al.	
2006/0224443	A1	10/2006	Soza et al.	
2006/0229577	A1	10/2006	Roe et al.	
2007/0071320	A1	3/2007	Yada	
2007/0079748	A1	4/2007	Ahmed et al.	
2007/0138286	A1	6/2007	Kamijoh et al.	
2007/0142263	A1	6/2007	Stahl et al.	
2007/0199994	A1	8/2007	Catrone et al.	
2007/0259997	A1	11/2007	Bakker et al.	
2007/0276348	A1 *	11/2007	Stenberg 604/361	
2007/0282286	A1	12/2007	Collins et al.	
2008/0057534	A1	3/2008	Martin et al.	
2008/0145316	A1	6/2008	MacDonald et al.	
2008/0147030	A1	6/2008	Nhan et al.	
2008/0147031	A1	6/2008	Long et al.	
2008/0243015	A1	10/2008	MacDonald et al.	
2008/0262452	A1 *	10/2008	McGinnis et al. 604/359	
2008/0276379	A1	11/2008	MacDonald et al.	
2008/0277621	A1	11/2008	MacDonald et al.	
2009/0005748	A1	1/2009	Ales et al.	
2009/0050700	A1	2/2009	Kamijoh et al.	
2009/0062757	A1	3/2009	Long et al.	
2009/0062764	A1	3/2009	MacDonald et al.	
2009/0111088	A1	4/2009	Martin et al.	
2009/0137172	A1	5/2009	Huang et al.	
2009/0142275	A1	6/2009	Phillips et al.	
2009/0143516	A1	6/2009	MacDonald et al.	
2009/0143754	A1	6/2009	Boga et al.	
2009/0155753	A1	6/2009	Ales et al.	
2009/0157025	A1	6/2009	Song et al.	
2009/0171307	A1	7/2009	Chang et al.	
2009/0221061	A1	9/2009	Martin et al.	
2009/0221980	A1	9/2009	Mosbacher et al.	
2009/0247979	A1	10/2009	Sosalla et al.	
2009/0275908	A1	11/2009	Song	
2009/0287173	A1	11/2009	Sosalla et al.	
2009/0302498	A1 *	12/2009	Nedestam 264/263	
2009/0326491	A1	12/2009	Long et al.	
2010/0164733	A1	7/2010	Ales et al.	
2010/0168694	A1	7/2010	Gakhar et al.	
2010/0220328	A1 *	9/2010	Isaka et al. 356/445	
2011/0015063	A1	1/2011	Gil et al.	
2011/0015597	A1	1/2011	Gil et al.	

FOREIGN PATENT DOCUMENTS

JP	4143876	A	5/1992
JP	2003 058759	A	2/2003
JP	2006 249638	A	9/2006
JP	2009 280946	A	12/2009
WO	WO 96/08788	A1	3/1996
WO	00/37009	A2	6/2000
WO	WO 00/65348	A2	11/2000
WO	2004/084765	A2	10/2004
WO	2008/072116	A1	6/2008
WO	2010/015881		2/2010

OTHER PUBLICATIONS

U.S. Appl. No. 12/503,380, filed Jul. 15, 2009.

* cited by examiner

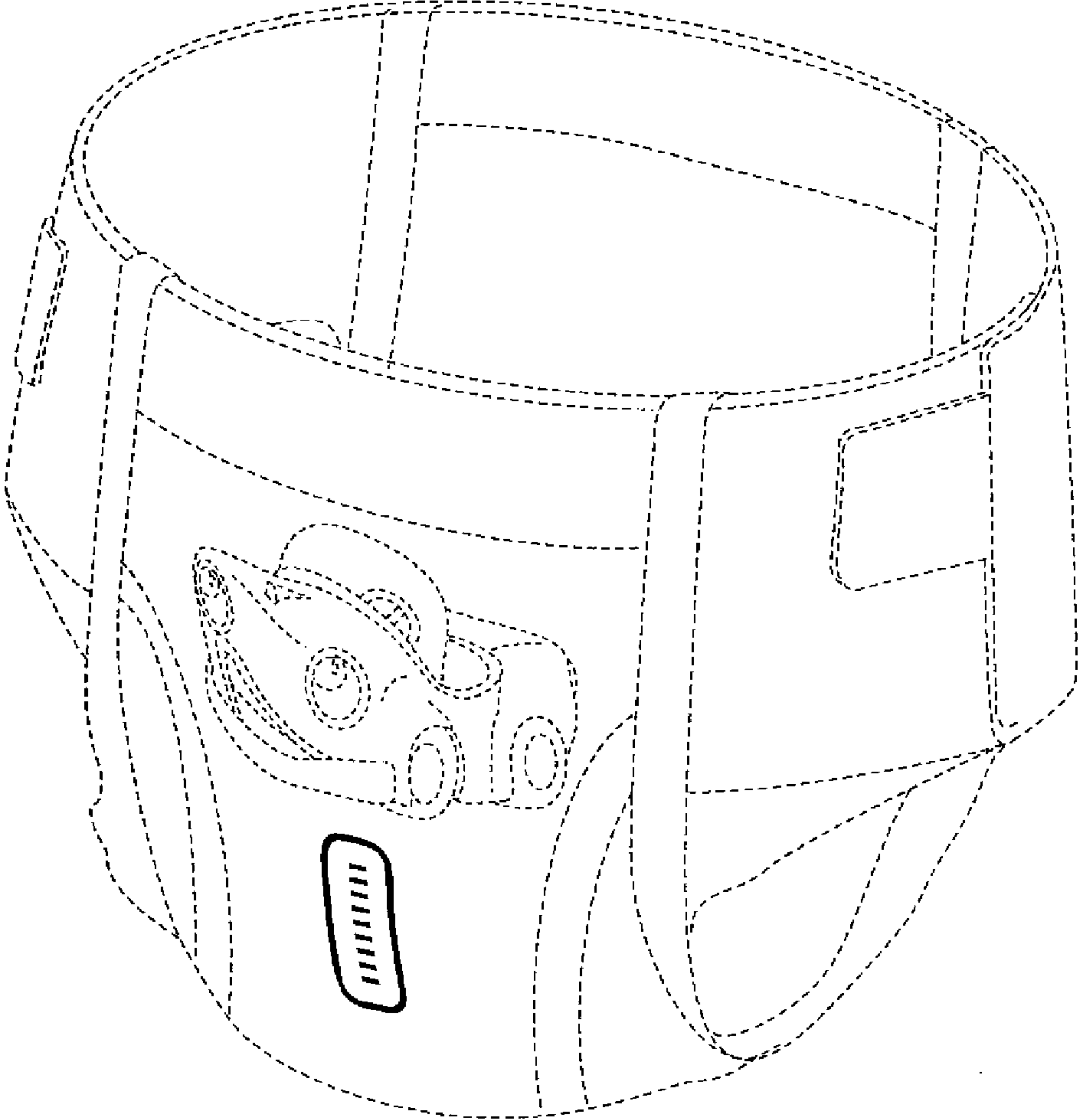


FIG. 1

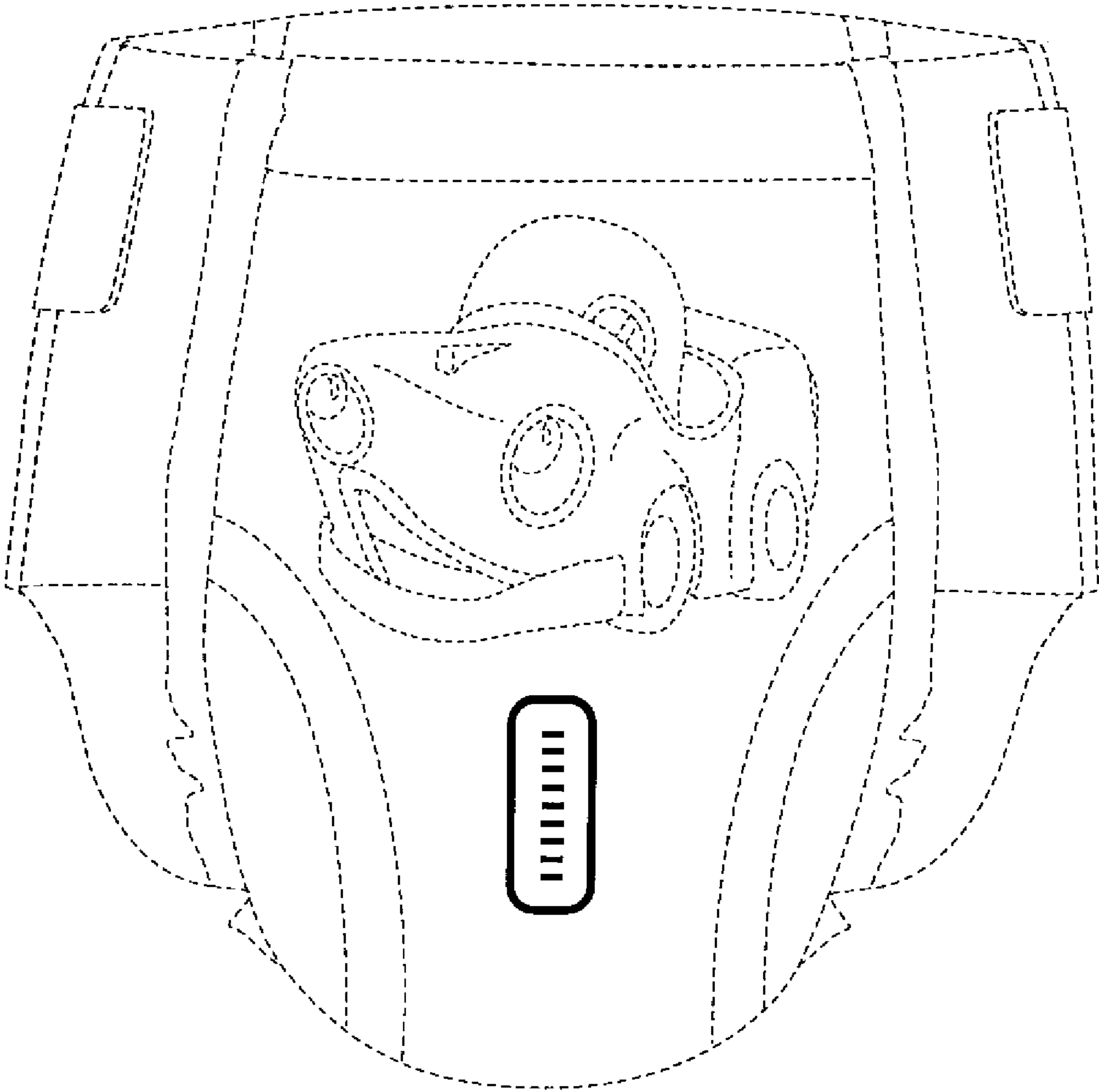


FIG. 2

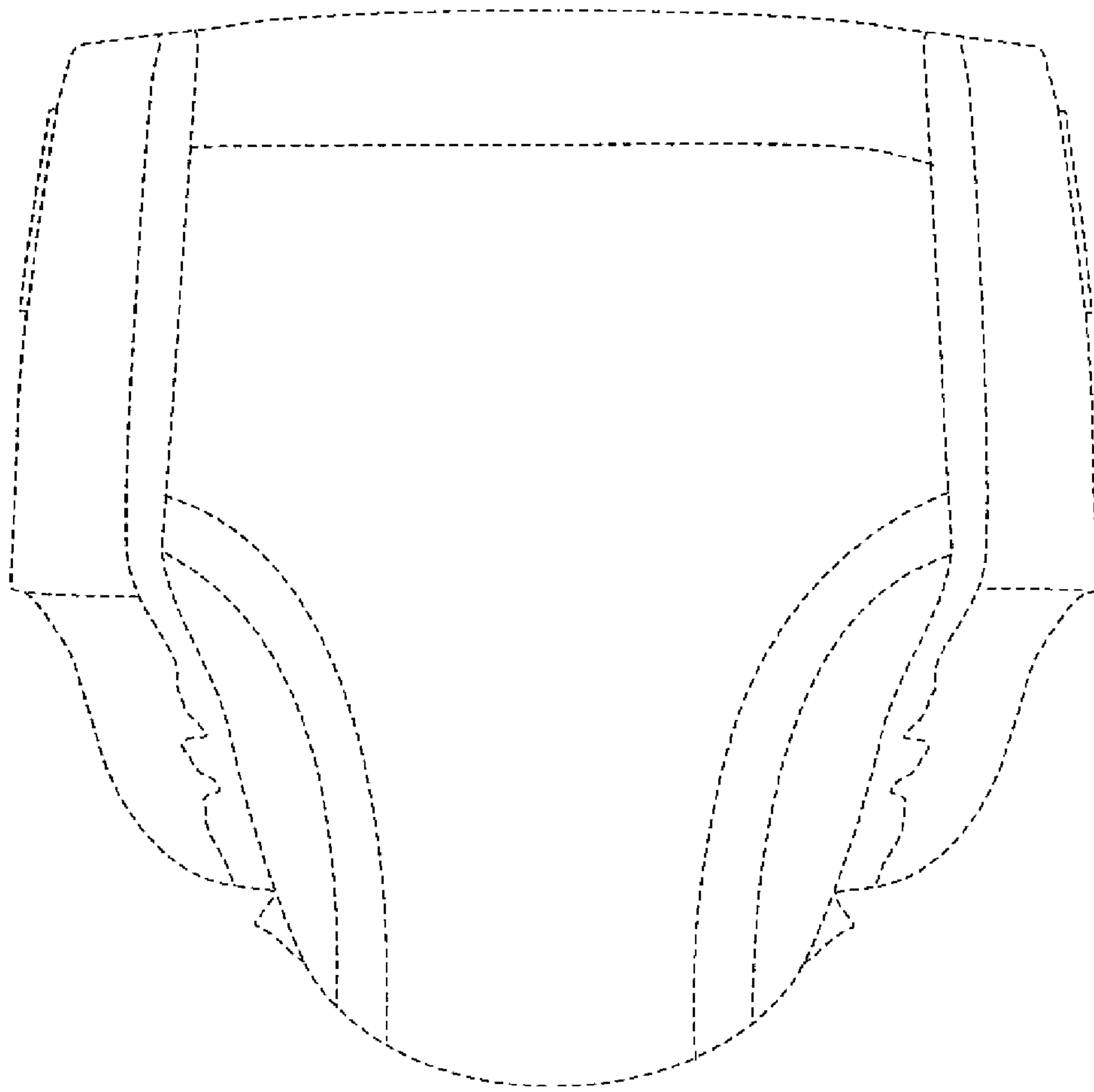


FIG. 3

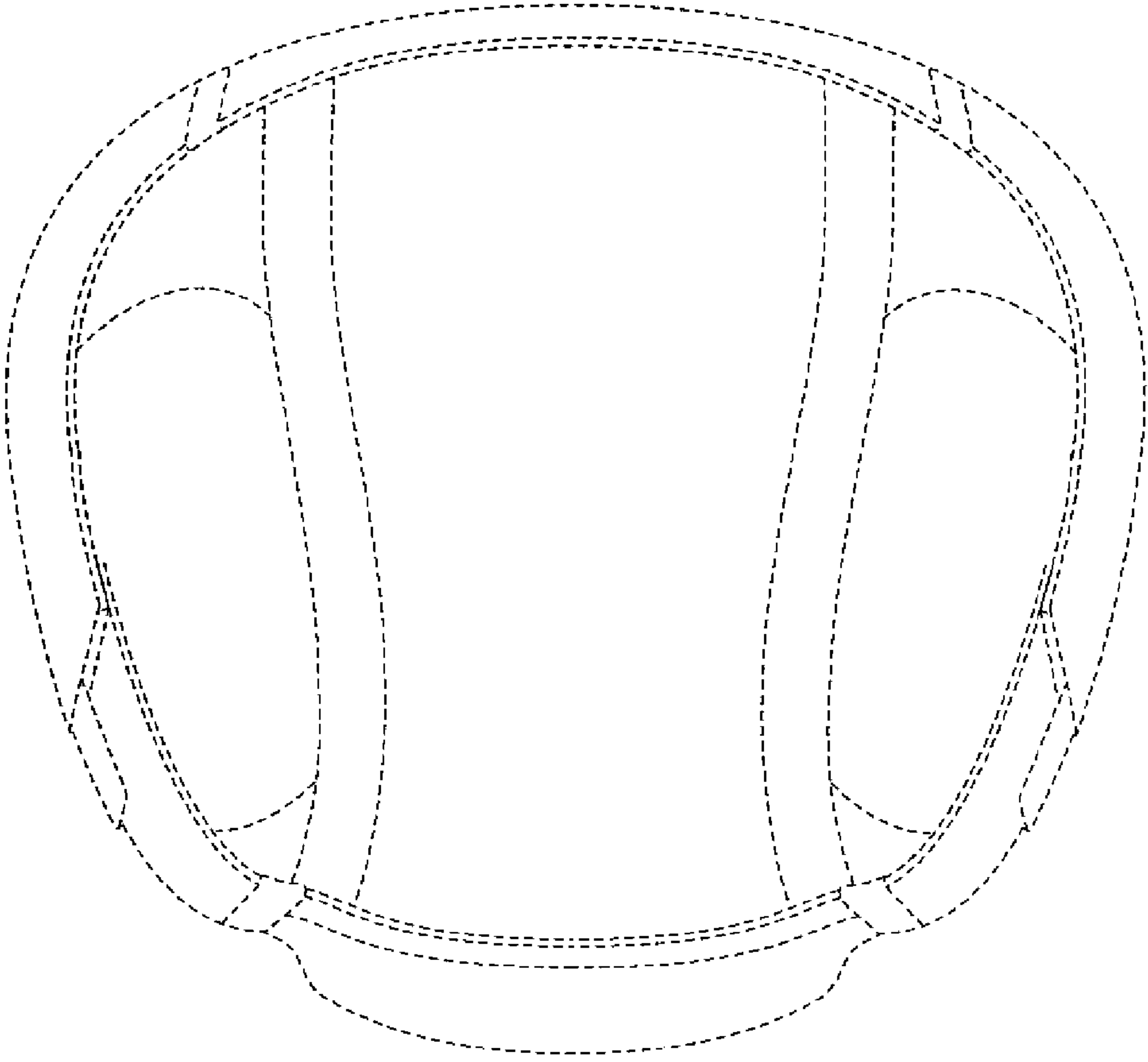


FIG. 4

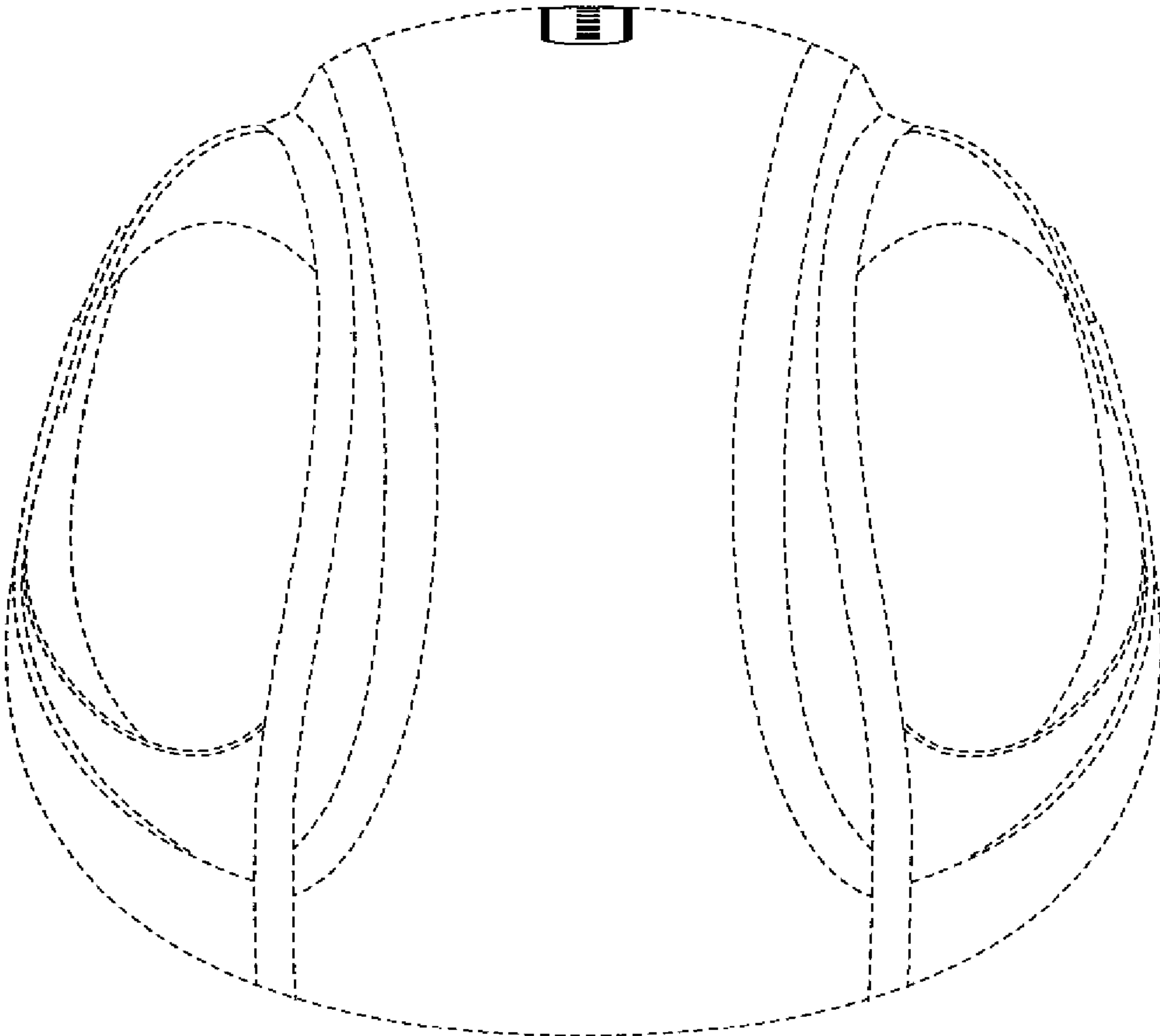


FIG. 5

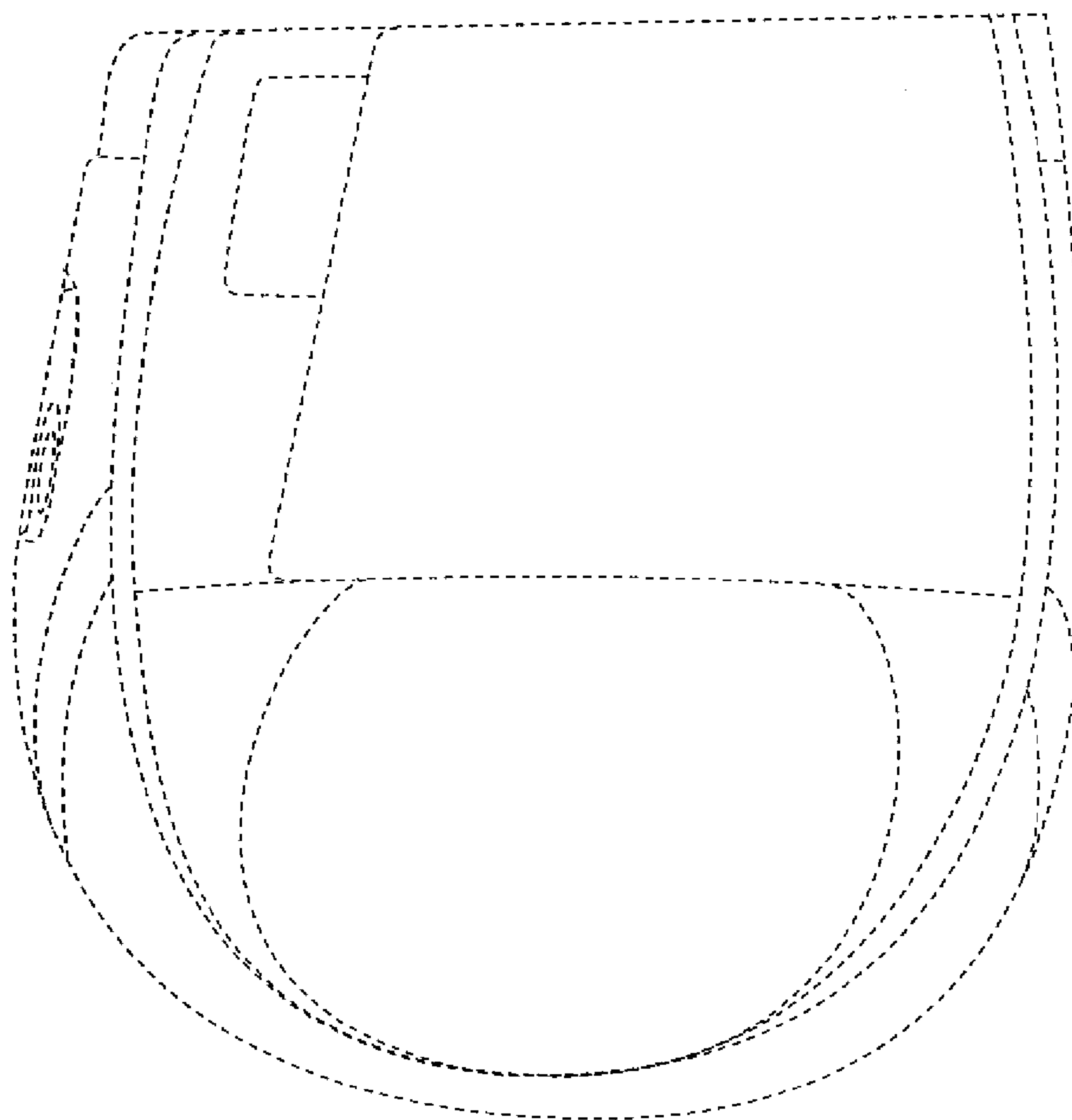


FIG. 6

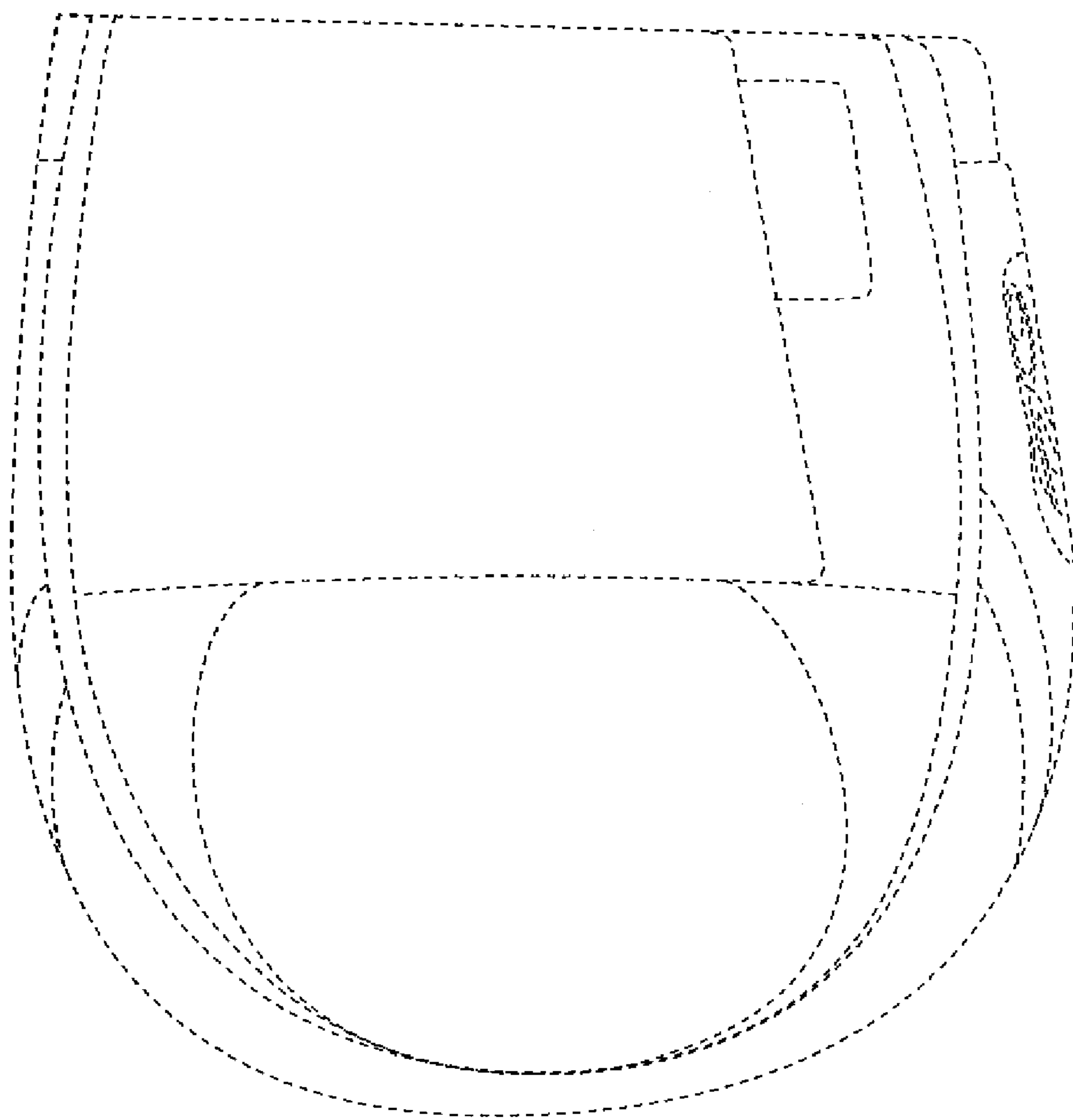


FIG. 7

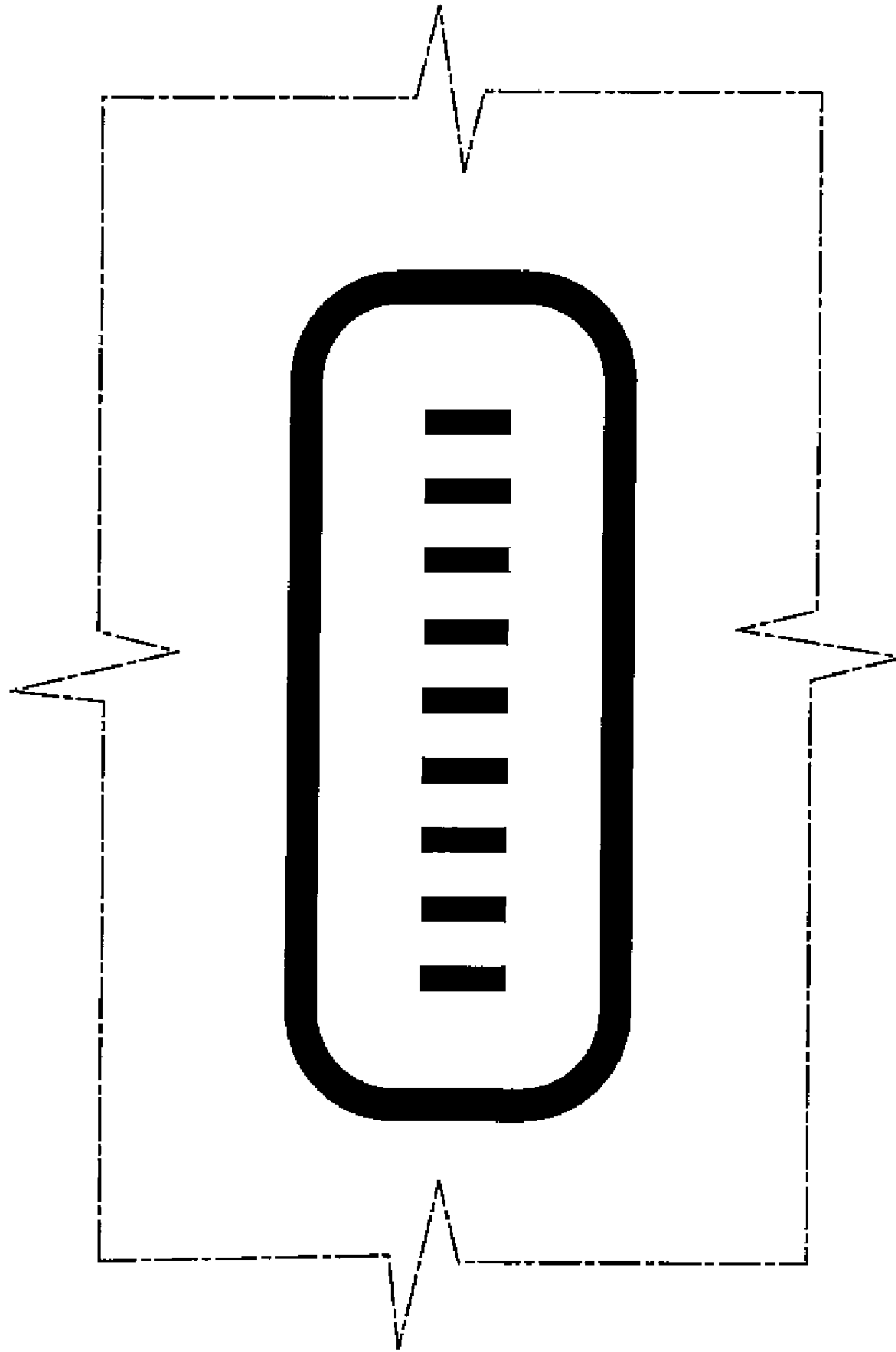


FIG. 8

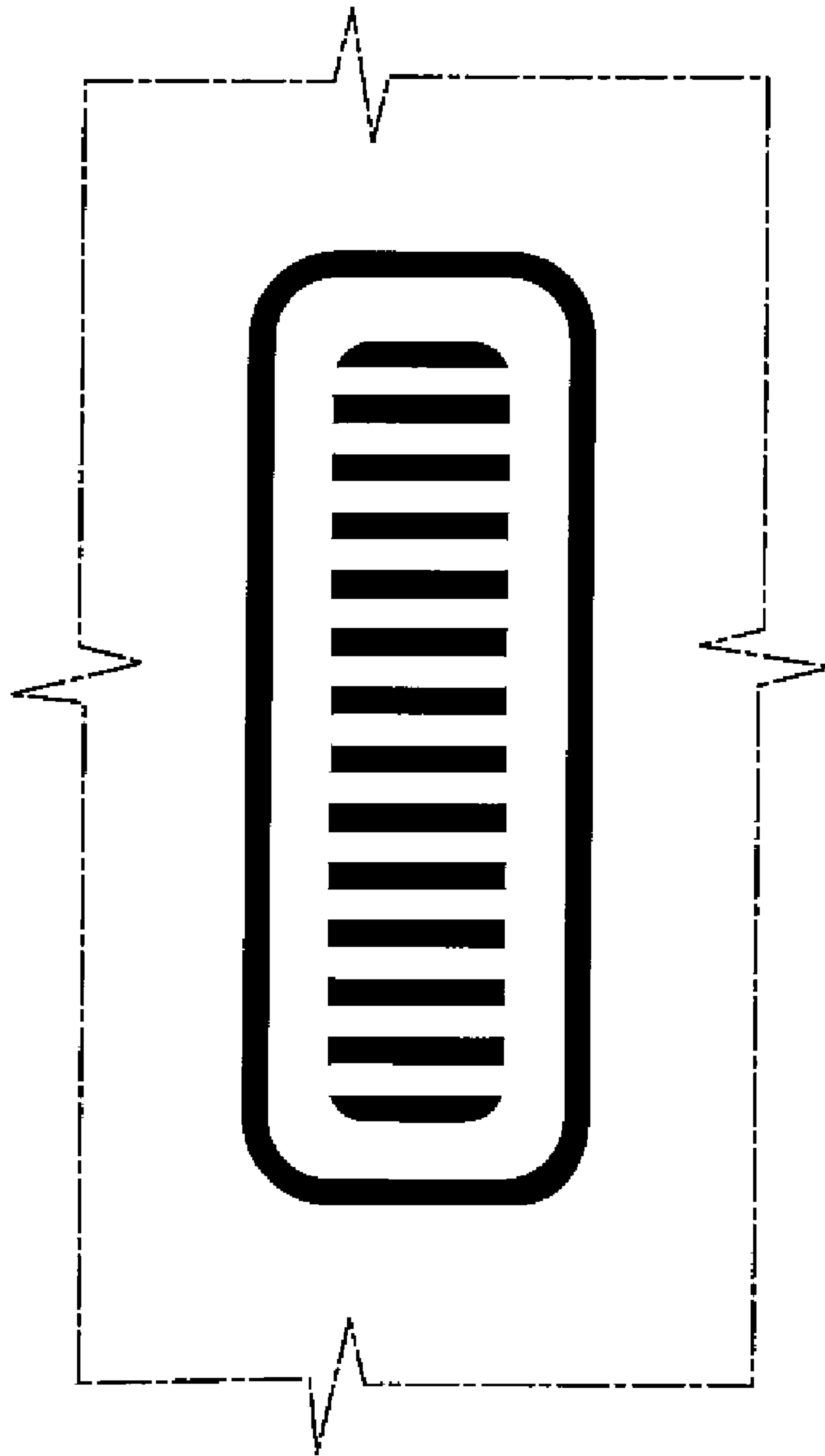


FIG. 9

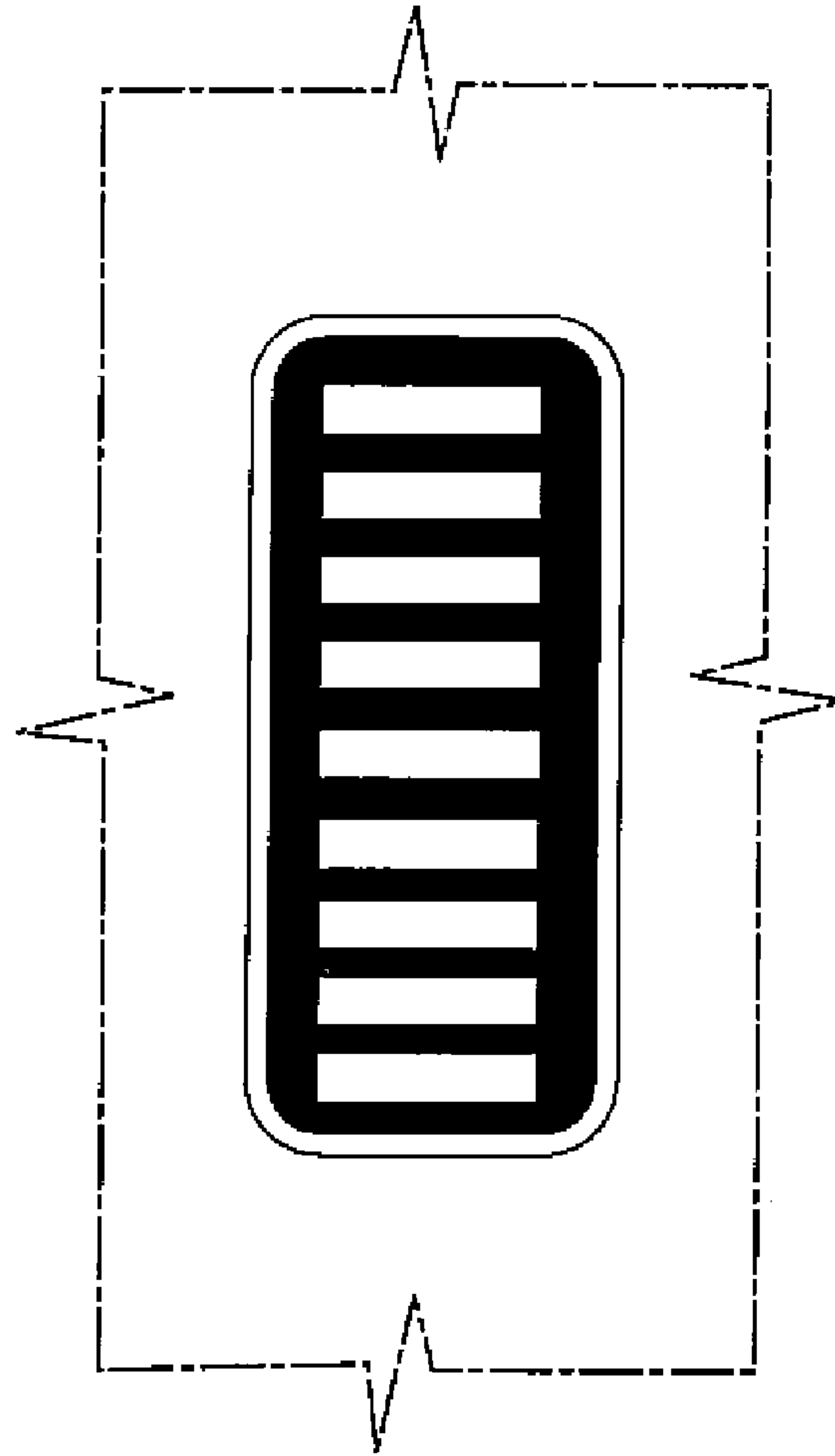


FIG. 10

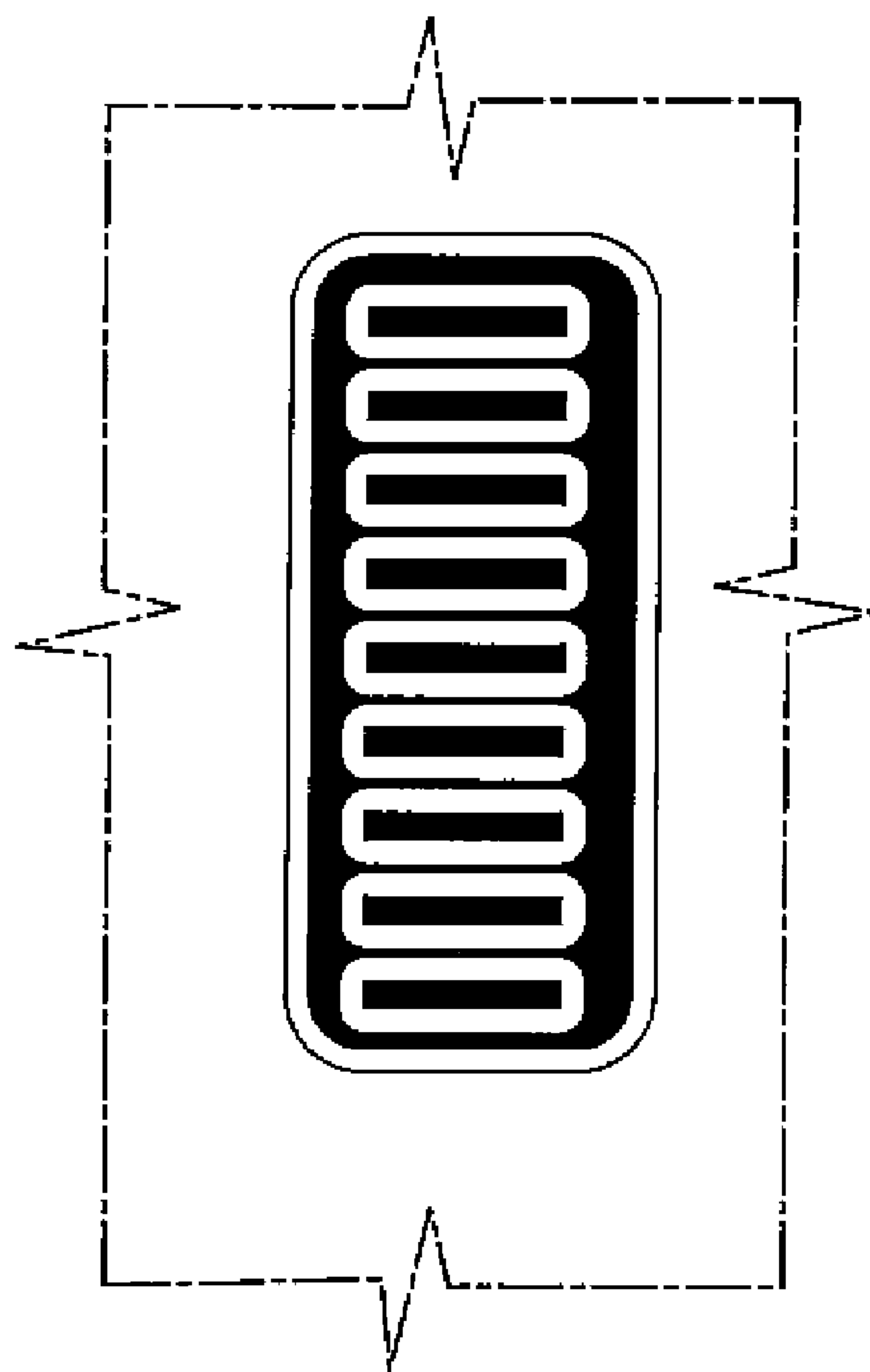


FIG. 11