



US00D656850S

(12) **United States Design Patent**
Marcoz

(10) **Patent No.:** **US D656,850 S**

(45) **Date of Patent:** **** Apr. 3, 2012**

(54) **CURRENT SENSOR**

(75) Inventor: **Benjamin Marcoz**, Beaumont (FR)

(73) Assignee: **Liaisons Electroniques-Mecaniques**
LEM SA, Plan-les-Ouates (CH)

(**) Term: **14 Years**

(21) Appl. No.: **29/372,229**

(22) Filed: **Oct. 29, 2010**

(30) **Foreign Application Priority Data**

Apr. 29, 2010 (WO) DM/073 548

(51) **LOC (9) Cl.** **10-04**

(52) **U.S. Cl.** **D10/79**

(58) **Field of Classification Search** D10/75,
D10/78, 79; 324/117 H, 117 R

See application file for complete search history.

(56) **References Cited**

U.S. PATENT DOCUMENTS

D353,547 S *	12/1994	Cattaneo	D10/75
D494,078 S *	8/2004	Vuillermoz	D10/75
D505,870 S *	6/2005	Vuillermoz	D10/75
D511,112 S *	11/2005	Takada	D10/75
D600,576 S *	9/2009	Marcoz	D10/79

* cited by examiner

Primary Examiner — Antoine D Davis

(74) *Attorney, Agent, or Firm* — Faegre Baker Daniels LLP

(57) **CLAIM**

The design of the current sensor, as shown and described.

DESCRIPTION

FIG. 1 is a front perspective view of the current sensor;
FIG. 2 is a rear perspective view of the current sensor;
FIG. 3 is a rear view of the current sensor;
FIG. 4 is a front view of the current sensor;
FIG. 5 is a right side view of the current sensor;
FIG. 6 is a left side view of the current sensor;
FIG. 7 is a lower end view of the current sensor; and,
FIG. 8 is a top view of the current sensor.

1 Claim, 2 Drawing Sheets

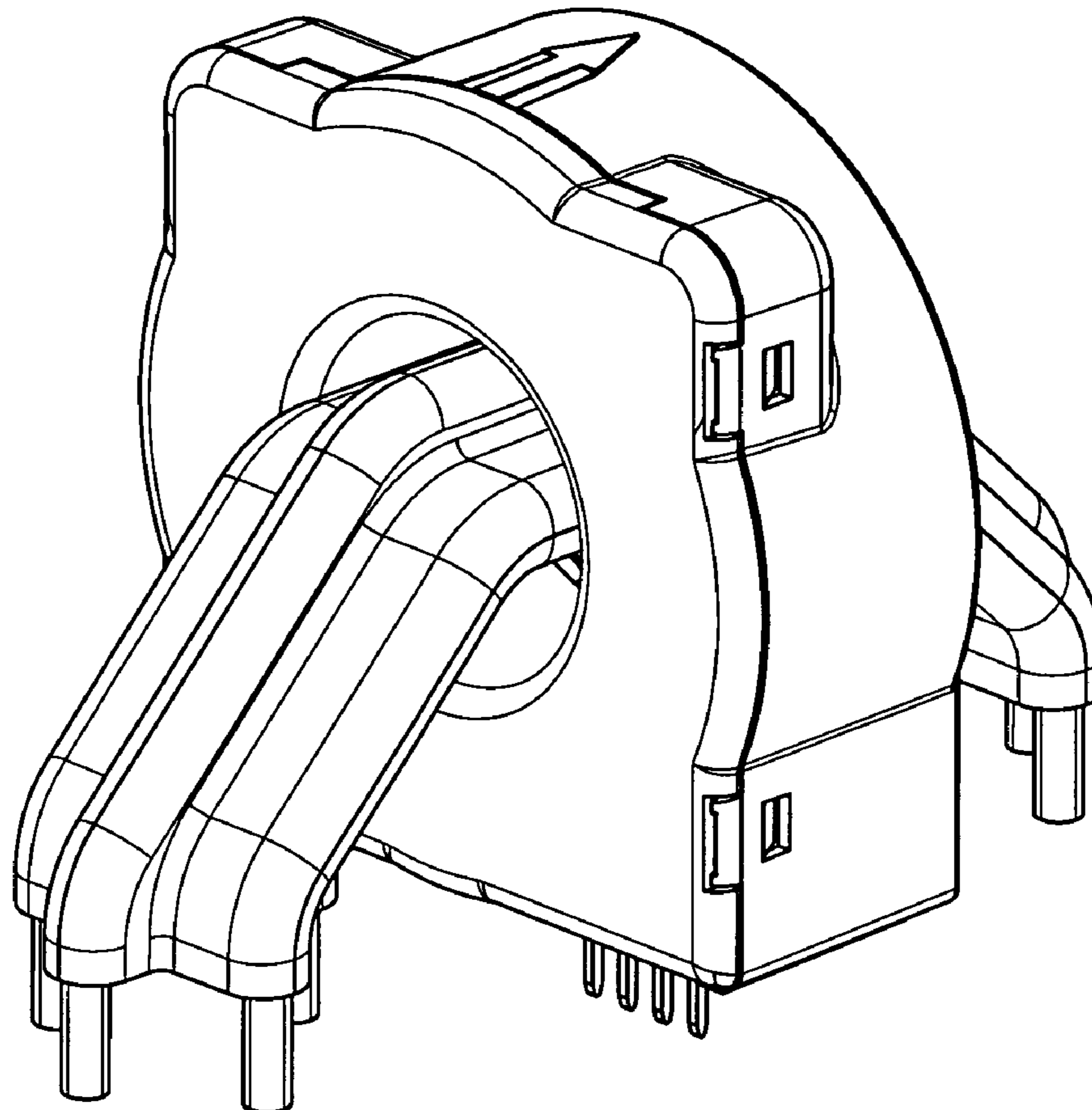


FIG. 1

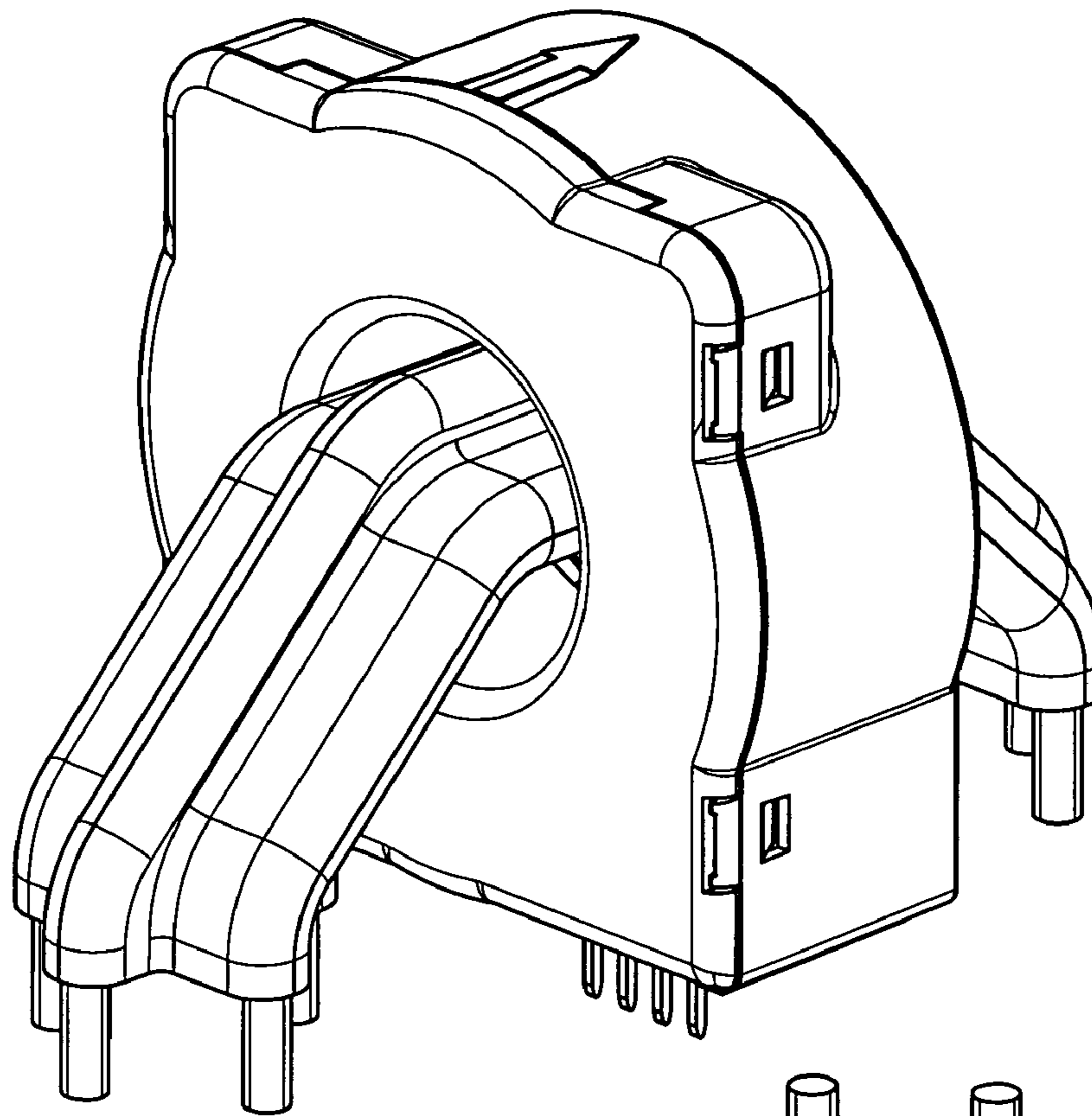


FIG. 2

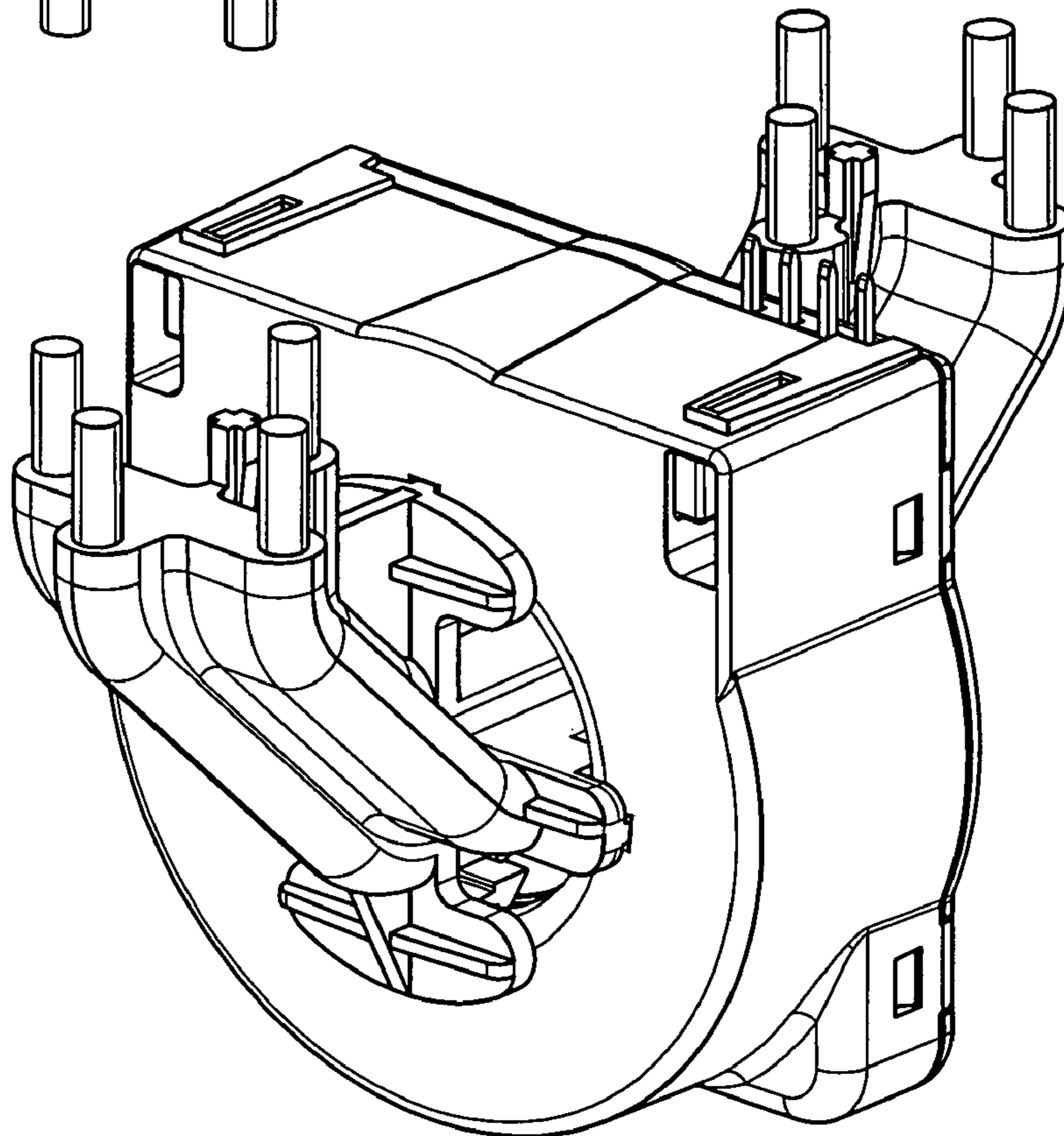


FIG. 3

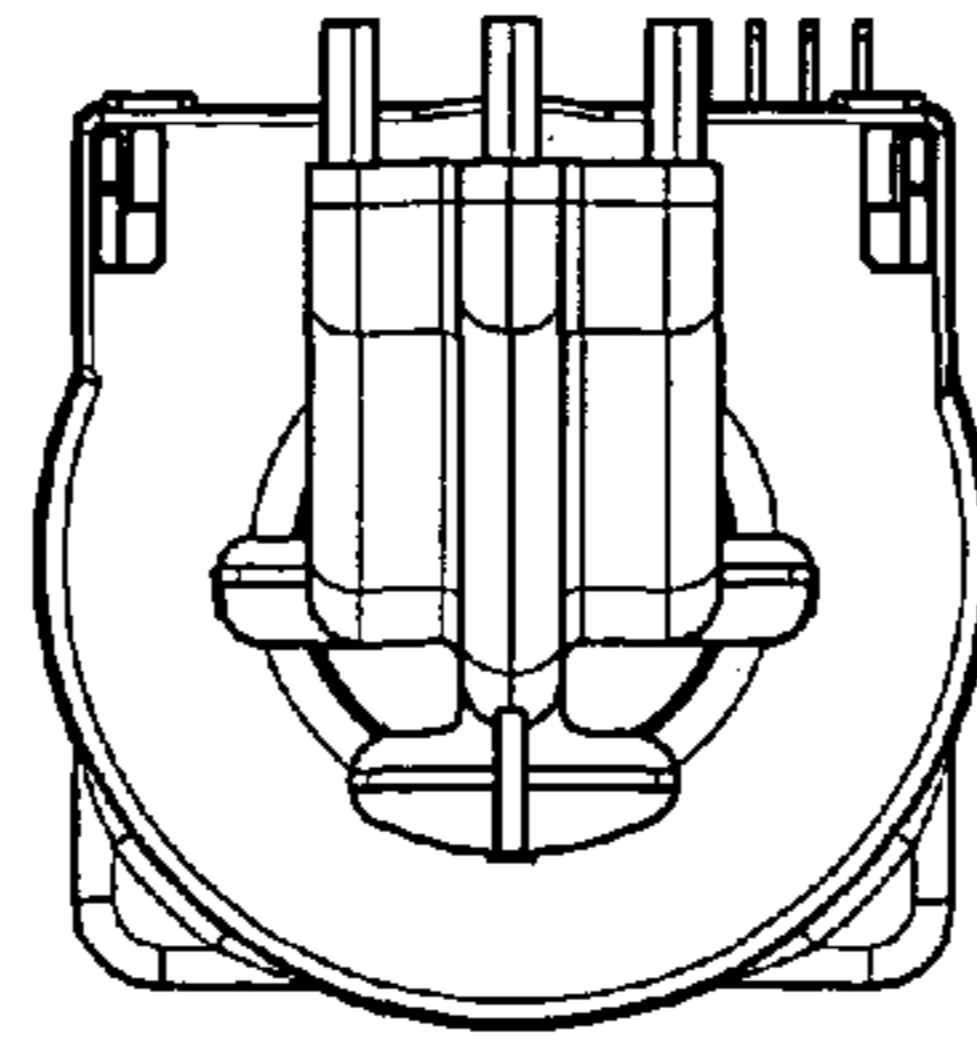


FIG. 7

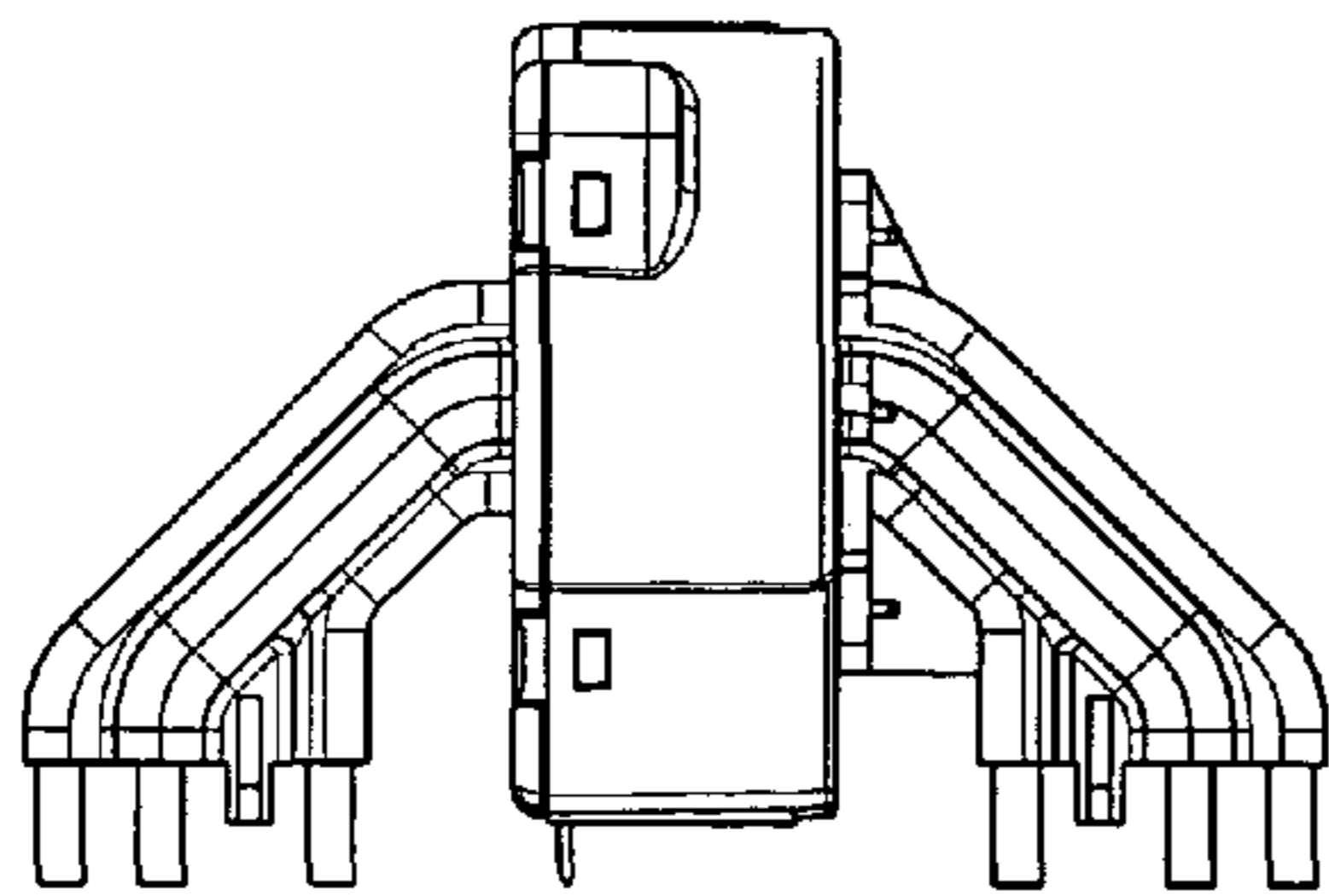
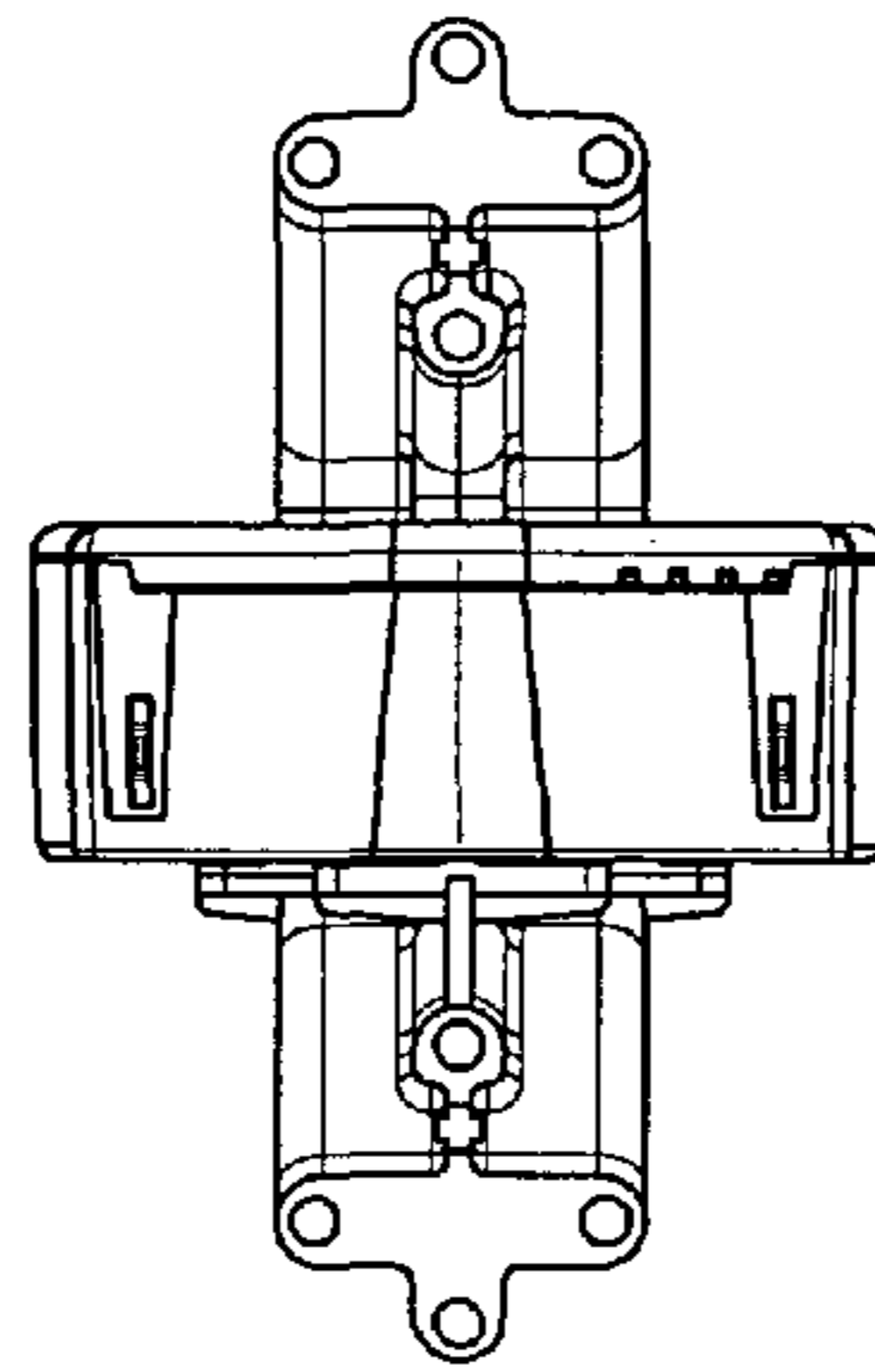


FIG. 5

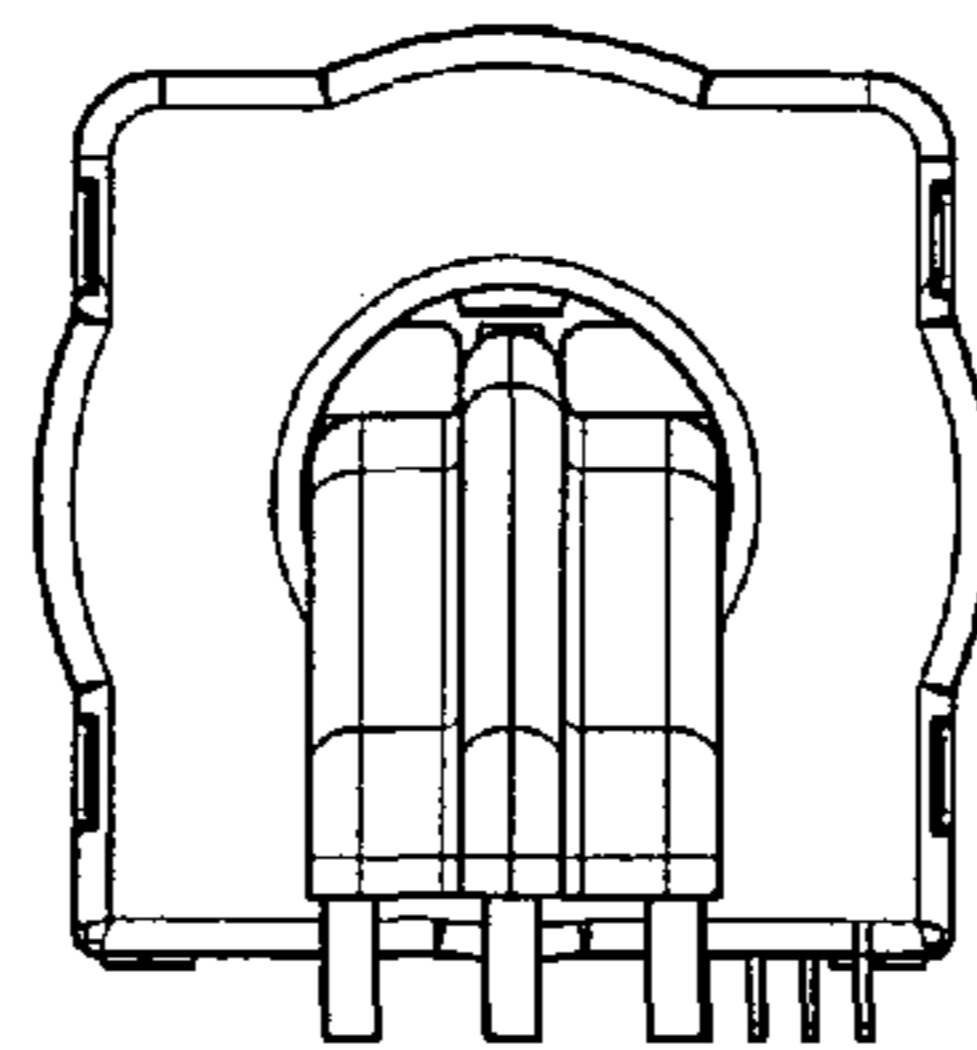


FIG. 4

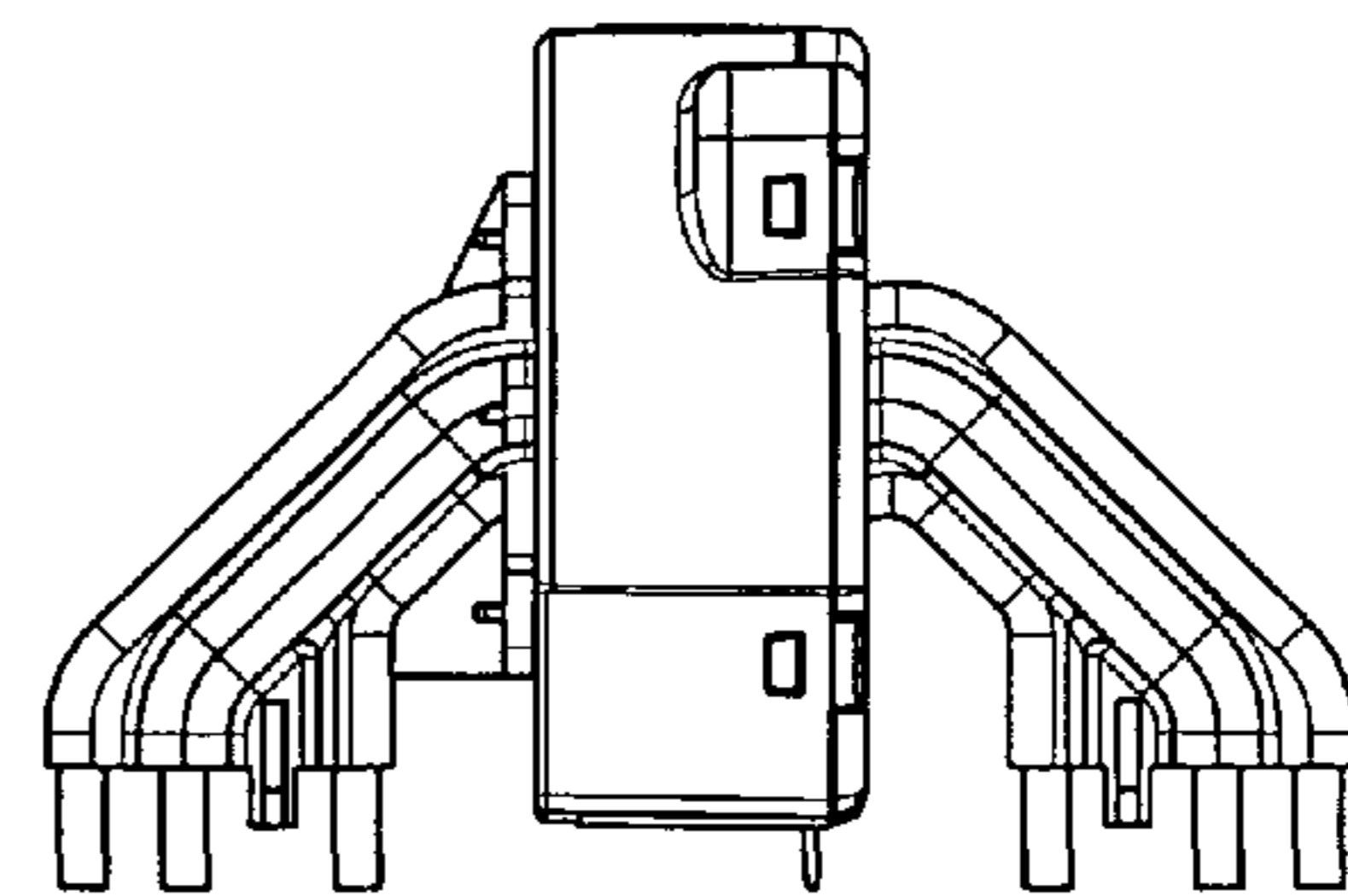


FIG. 6

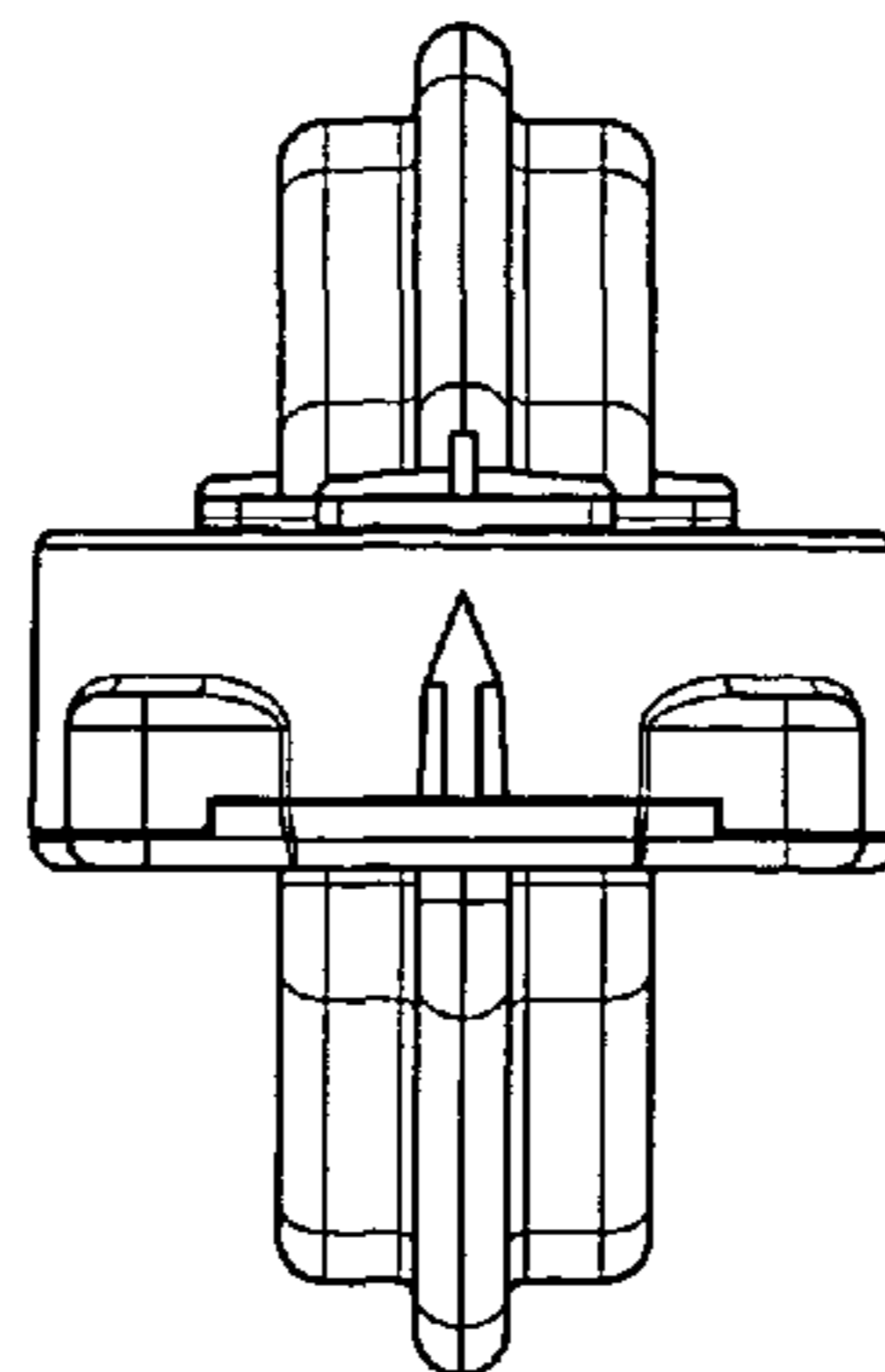


FIG. 8