



US00D656844S

(12) **United States Design Patent**
Clerc

(10) **Patent No.:** **US D656,844 S**

(45) **Date of Patent:** **** Apr. 3, 2012**

(54) **WATCH CASE**

(76) **Inventor:** **Gérald Clerc, Paris (FR)**

(**) **Term:** **14 Years**

(21) **Appl. No.:** **29/369,797**

(22) **Filed:** **Sep. 13, 2010**

(30) **Foreign Application Priority Data**

Mar. 15, 2010 (WO) DM/073 353

(51) **LOC (9) Cl.** **10-02**

(52) **U.S. Cl.** **D10/38**

(58) **Field of Classification Search** D10/30-39;
368/276, 278, 281, 282, 285, 288-290
See application file for complete search history.

(56) **References Cited**

U.S. PATENT DOCUMENTS

D445,342 S *	7/2001	Clerc	D10/30
D551,101 S *	9/2007	Nataf	D10/38
D608,662 S *	1/2010	Clerc	D10/38
D609,119 S *	2/2010	Clerc	D10/38

D611,842 S *	3/2010	Parmigiani	D10/38
D618,565 S *	6/2010	Dolce et al.	D10/38
D621,284 S *	8/2010	Cerrato	D10/38
D632,979 S *	2/2011	Chastaingt	D10/38

* cited by examiner

Primary Examiner — Lucy Lieberman

(74) *Attorney, Agent, or Firm* — Young & Thompson

(57) **CLAIM**

The ornamental design for a watch case, as shown and described.

DESCRIPTION

FIG. 1 is a top view of the watch case.
FIG. 2 is a bottom view of the watch case.
FIG. 3 is a side view from the bottom of FIG. 1.
FIG. 4 is a side view from the top of FIG. 1.
FIG. 5 is a side view from the right of FIG. 1.
FIG. 6 is a side view from the left of FIG. 1; and,
FIG. 7 is a perspective view of the watch case.
The portions of the design shown in broken lines form no part of the claimed design.

1 Claim, 4 Drawing Sheets

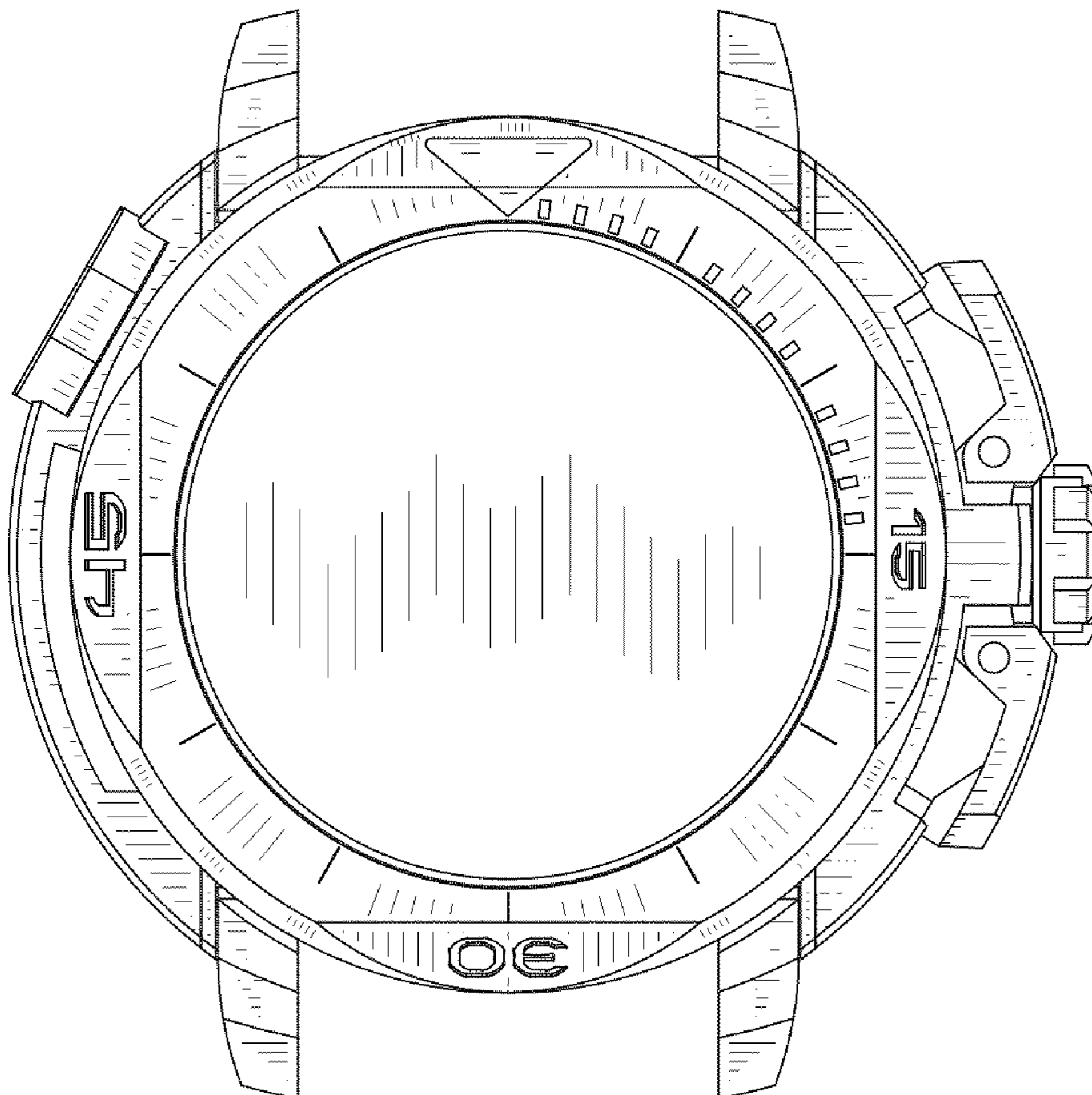


Fig. 1

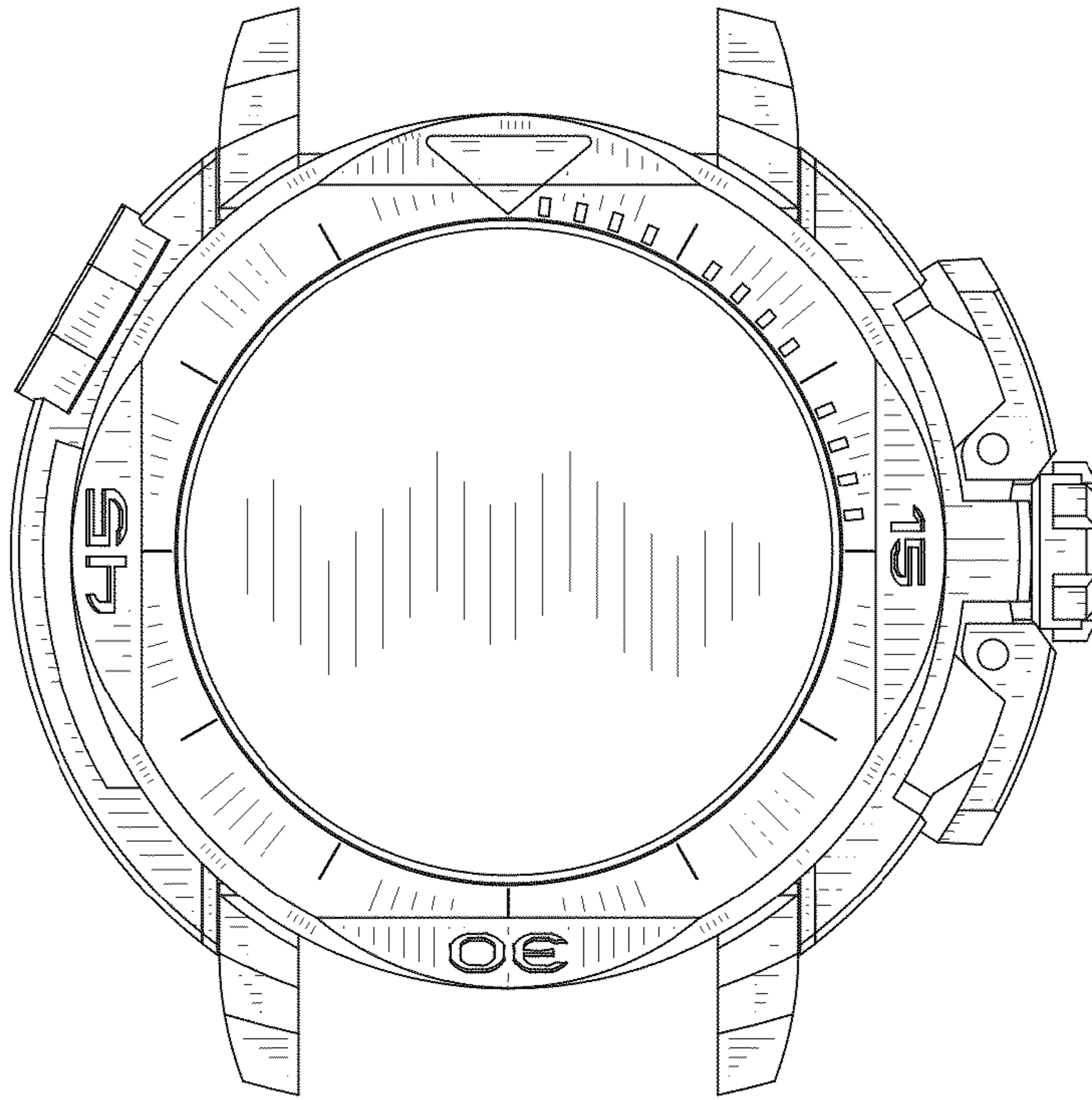


Fig. 2

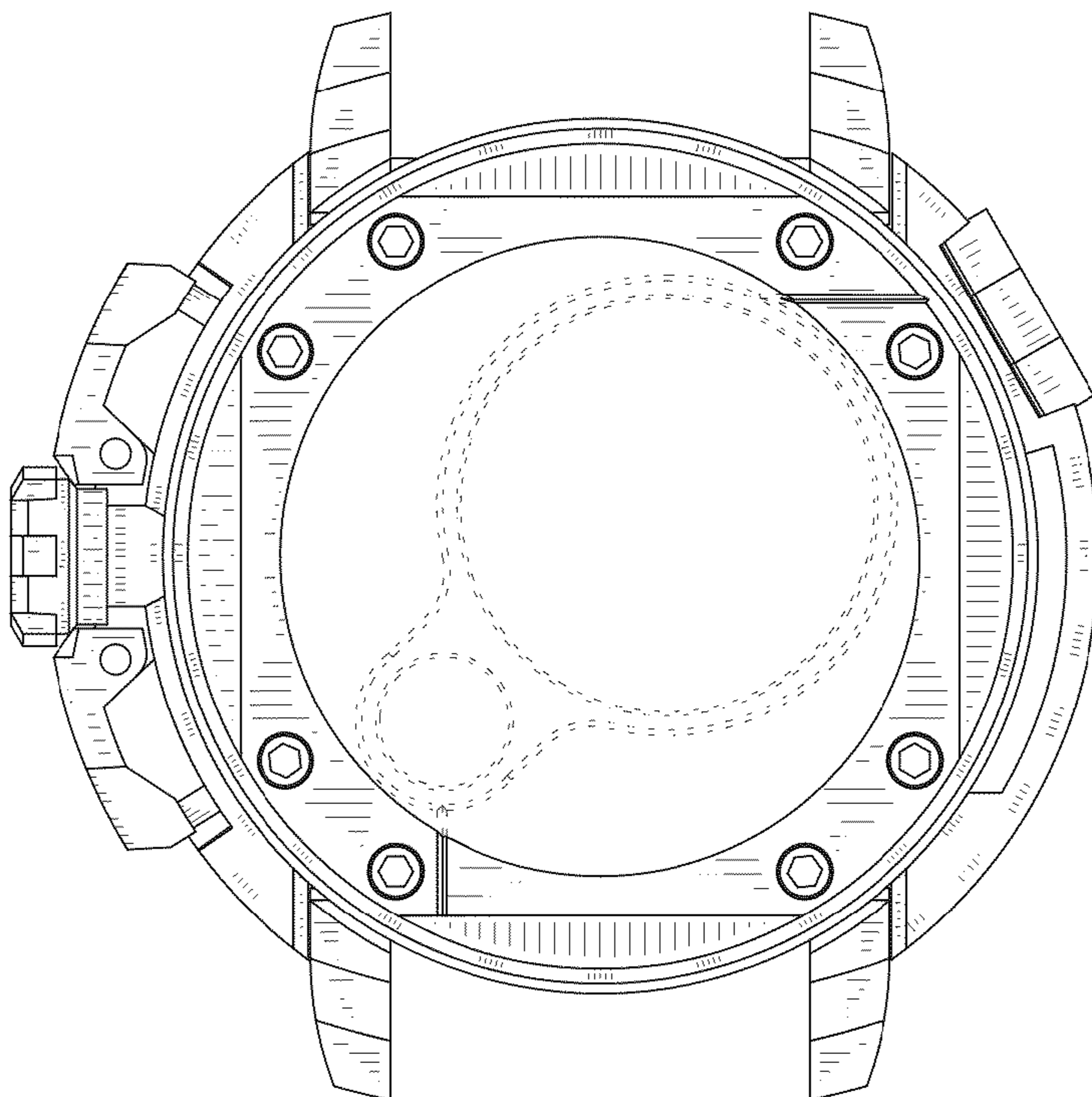


Fig. 3

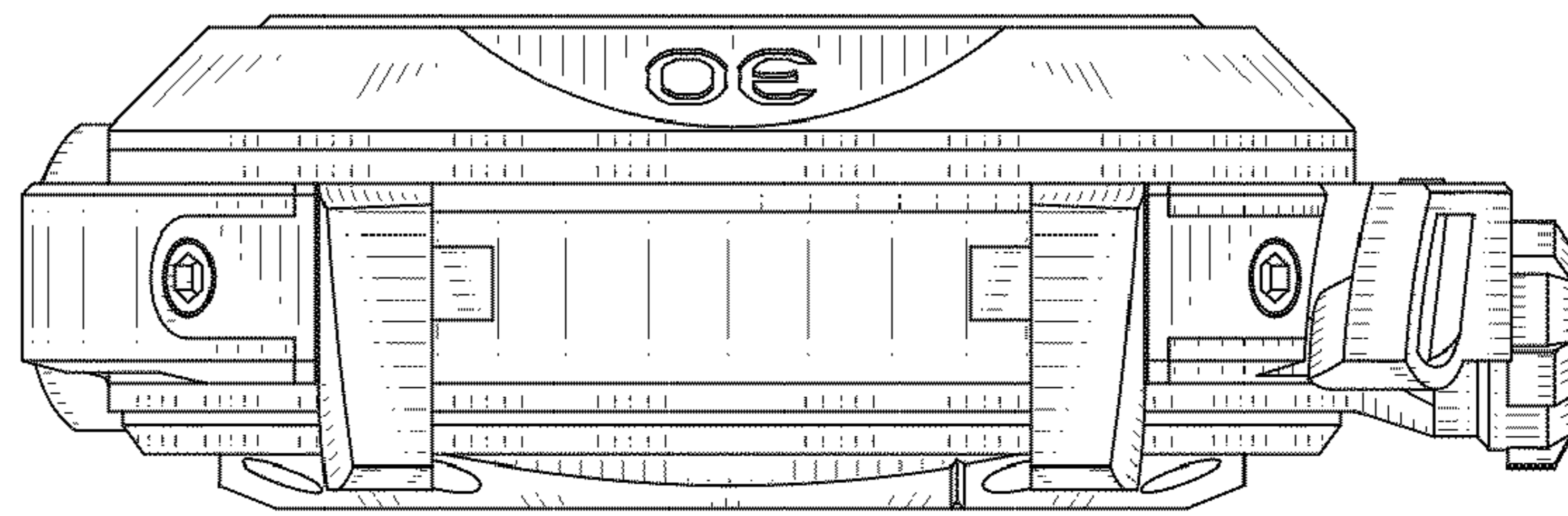


Fig. 4

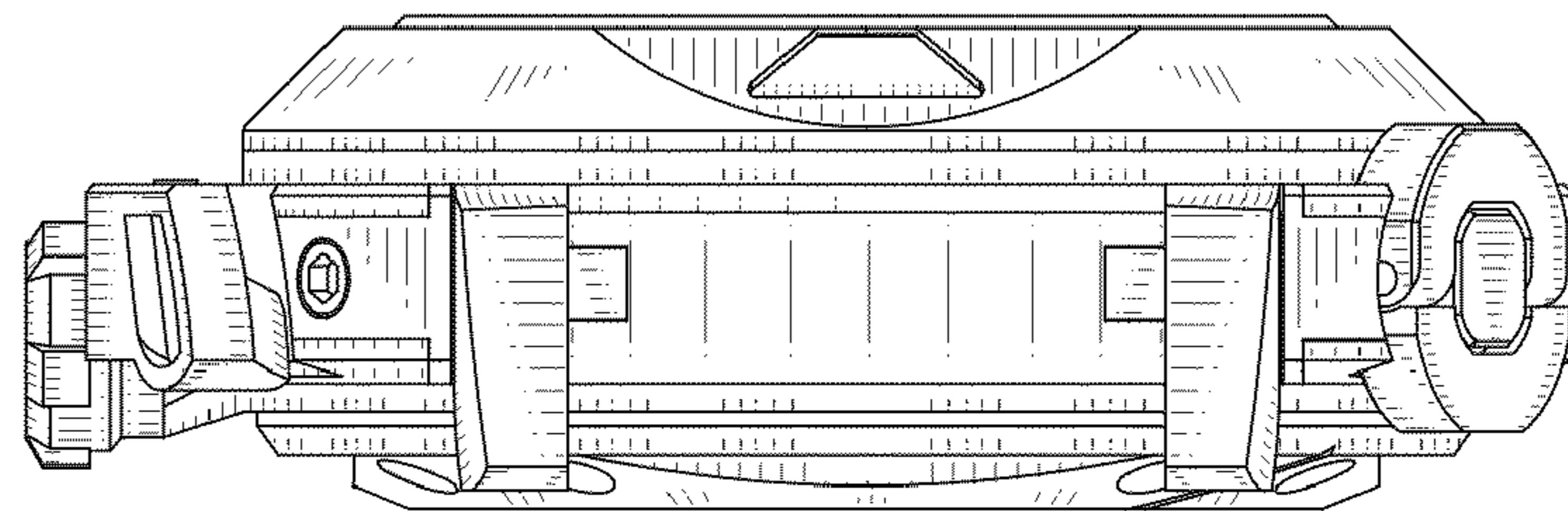


Fig.5

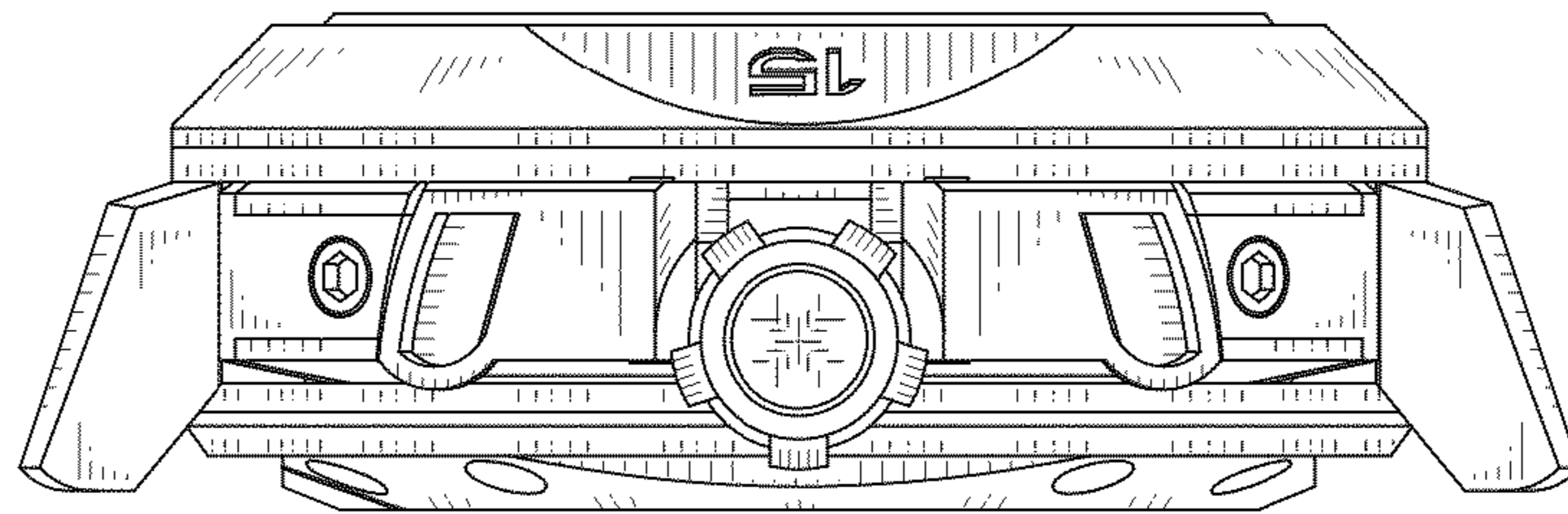


Fig.6

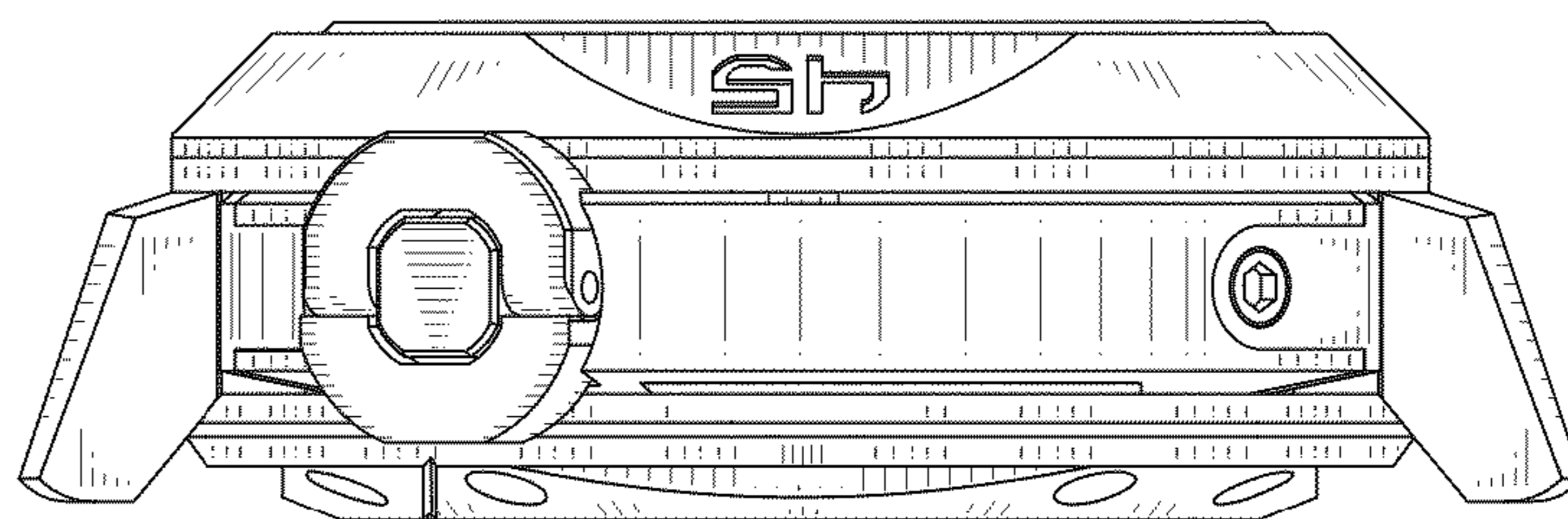


Fig. 7

