



US00D656843S

(12) **United States Design Patent**
Schleining

(10) **Patent No.:** **US D656,843 S**

(45) **Date of Patent:** **** Apr. 3, 2012**

(54) **PACKAGING FOR FOOD**

(75) Inventor: **Walter Schleining**, Tribuswinkel (AT)

(73) Assignee: **Ovotherm International Handels GmbH**, WR. Neudorf (AT)

(**) Term: **14 Years**

(21) Appl. No.: **29/358,024**

(22) Filed: **Mar. 22, 2010**

(30) **Foreign Application Priority Data**

Sep. 21, 1920 (EM) 001168173-0001

(51) **LOC (9) Cl.** **09-03**

(52) **U.S. Cl.** **D9/757; D9/762**

(58) **Field of Classification Search** D9/762,
D9/757, 737, 761, 420, 425, 426, 456; D7/611;
206/521, 521.1, 521.3, 521.4, 521.6, 521.8,
206/521.9, 564; 220/508; 229/406
See application file for complete search history.

(56) **References Cited**

U.S. PATENT DOCUMENTS

D385,780 S *	11/1997	Krupa et al.	D9/757
D403,956 S *	1/1999	Herbruck	D9/762
D405,362 S *	2/1999	Herbruck	D9/762
D405,363 S *	2/1999	Herbruck	D9/762
D405,364 S *	2/1999	Herbruck	D9/762
D405,365 S *	2/1999	Herbruck	D9/762

D405,366 S *	2/1999	Herbruck	D9/762
D409,483 S *	5/1999	Herbruck	D9/762
D412,277 S *	7/1999	Herbruck	D9/762
D418,405 S *	1/2000	Herbruck	D9/762
D466,802 S *	12/2002	Davkovski	D9/757
D484,796 S *	1/2004	Buckley	D9/757
D491,463 S *	6/2004	Zelina et al.	D9/757
D506,932 S *	7/2005	Ramirez	D9/737
D514,954 S *	2/2006	Kim	D9/757
D520,377 S *	5/2006	Beese et al.	D9/762
D606,421 S *	12/2009	Krummenacher	D9/757
D626,014 S *	10/2010	Fosse et al.	D9/757

* cited by examiner

Primary Examiner — Mark Goodwin

(74) *Attorney, Agent, or Firm* — Andrew Wilford

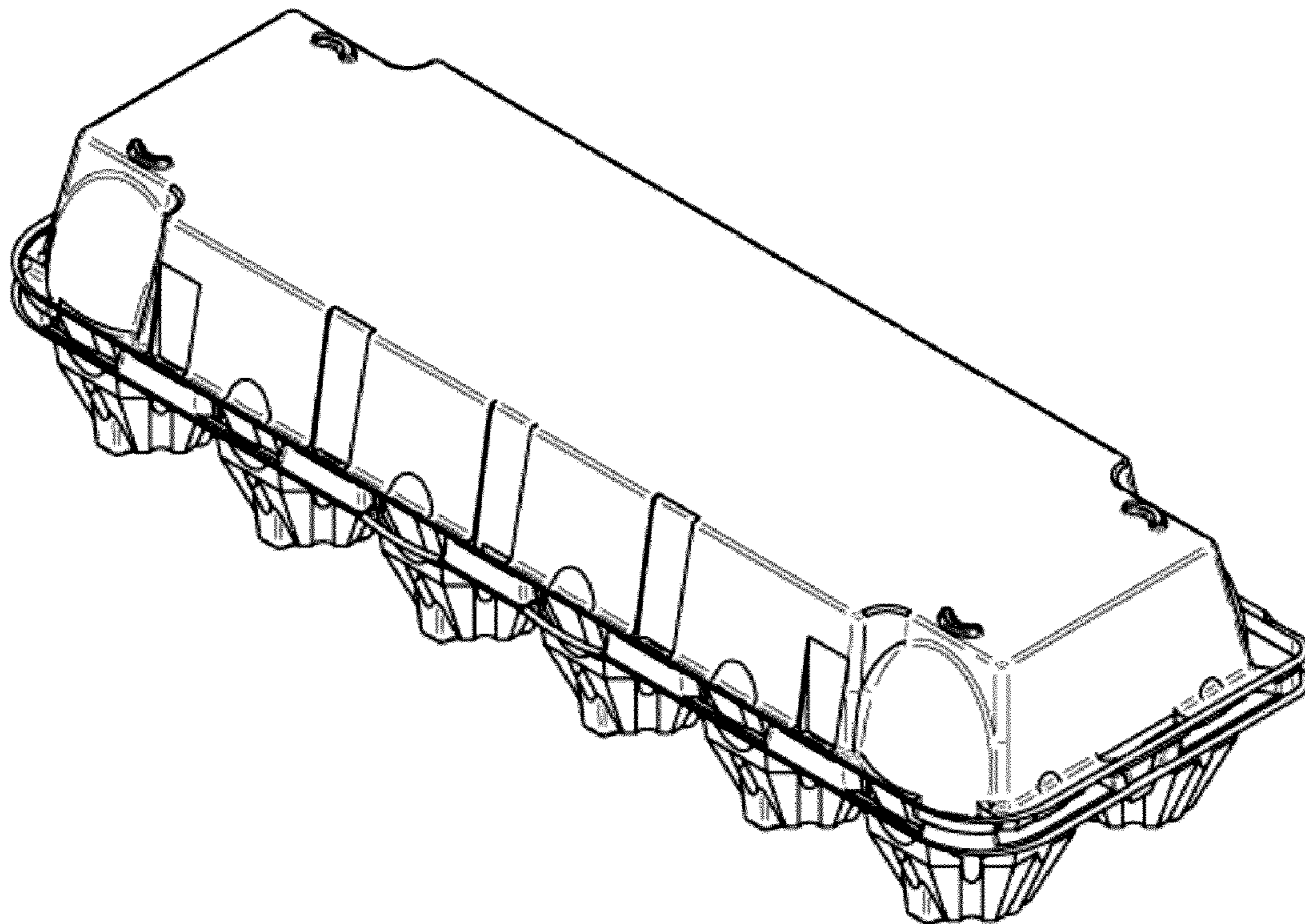
(57) **CLAIM**

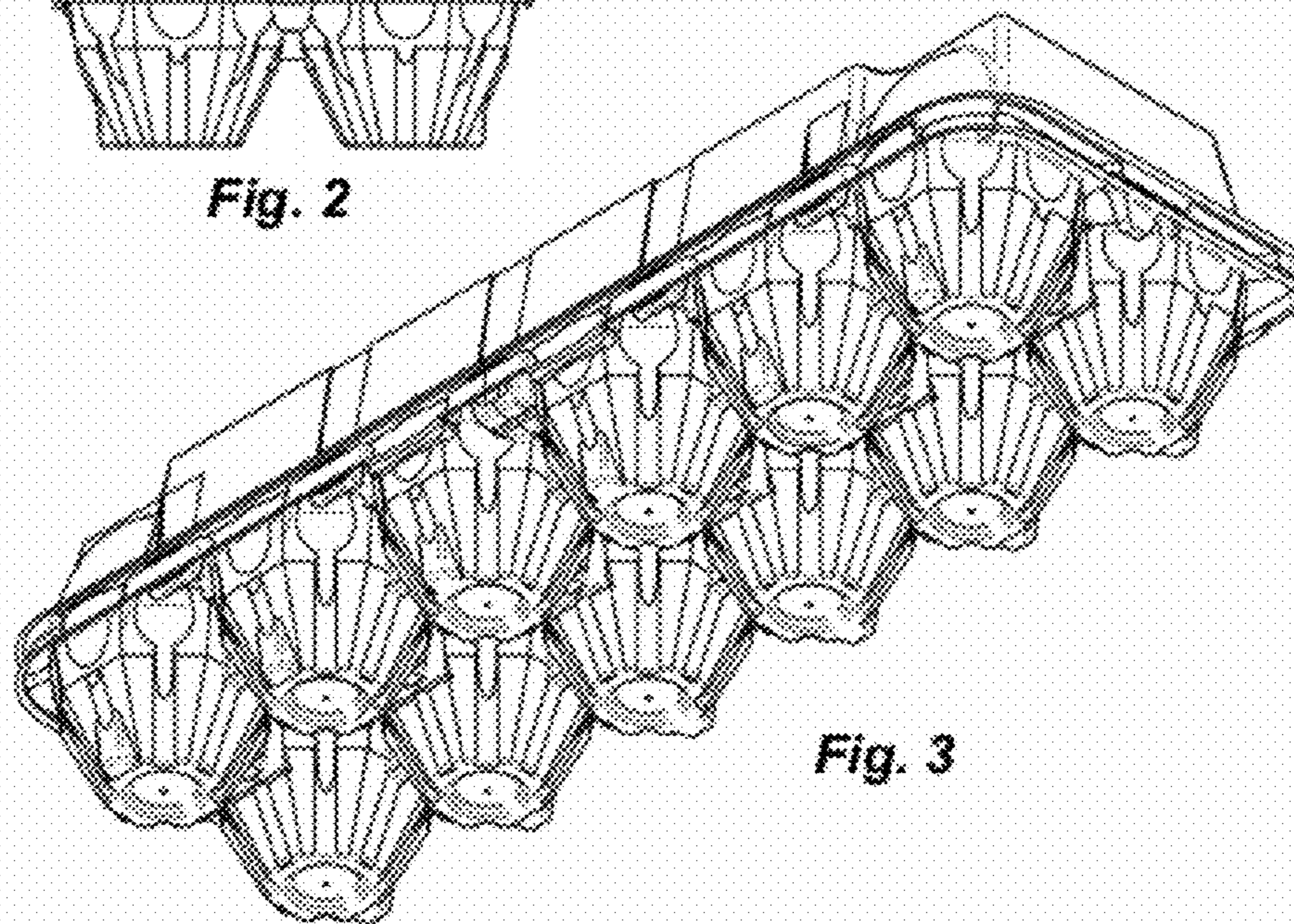
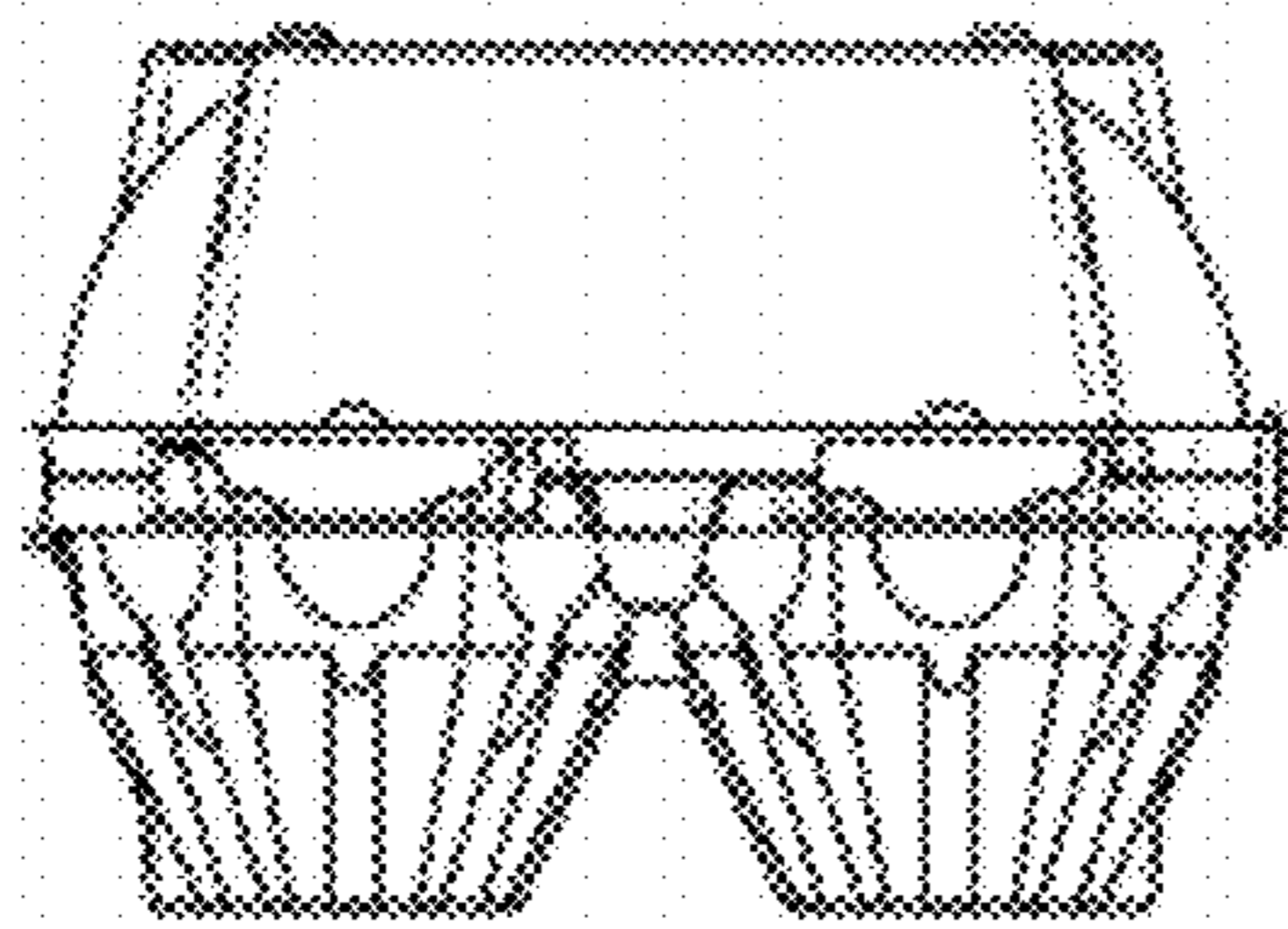
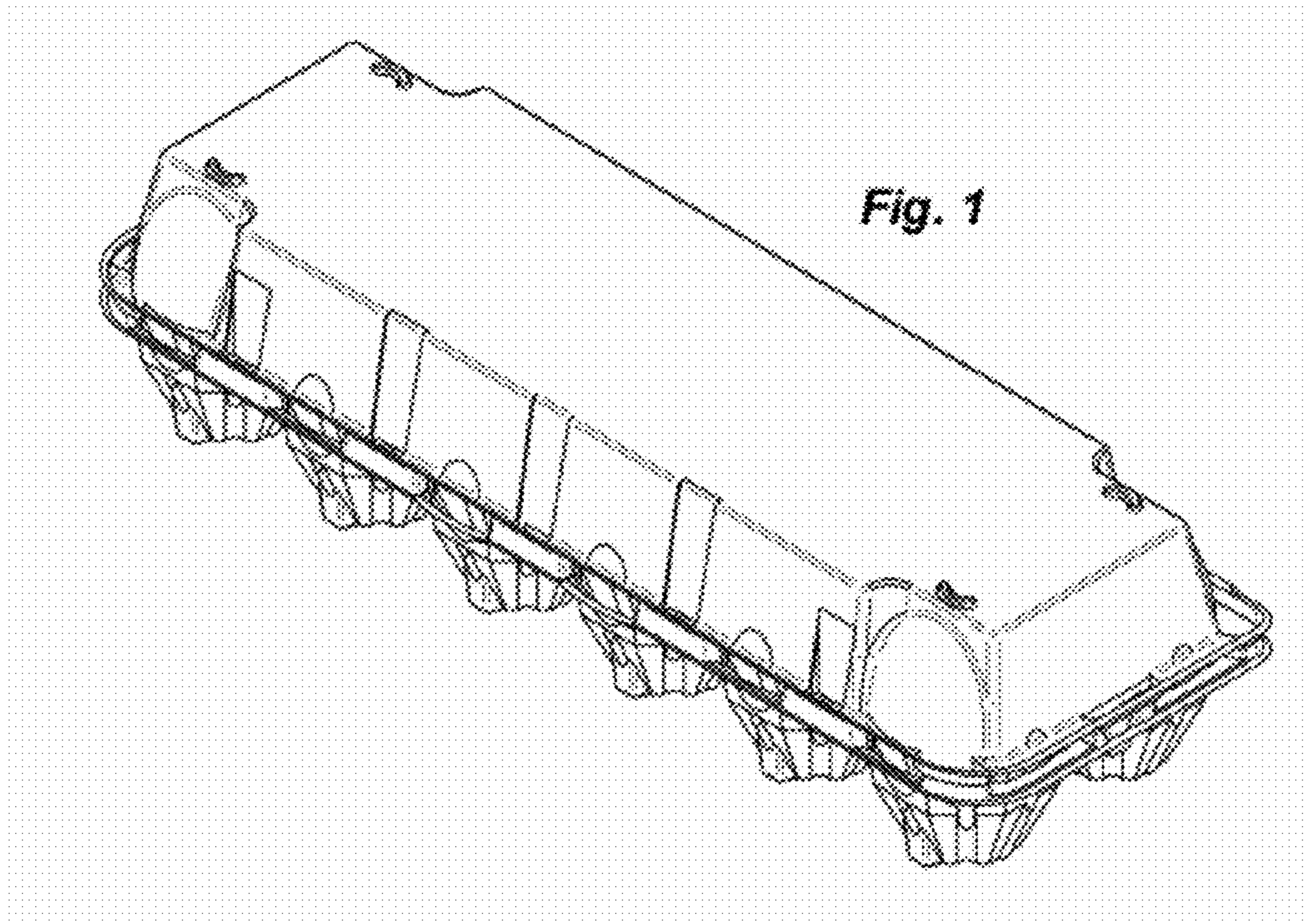
The ornamental design for a packaging for food, as shown and described.

DESCRIPTION

FIG. 1 is a perspective view from above and the front of a packaging for food showing my new design;
FIG. 2 is an end view of the packaging for food as seen from left-hand end in FIG. 3, the right-hand end view being a mirror image thereof;
FIG. 3 is a perspective view from below and the front of the packaging for food;
FIG. 4 is a bottom view of the packaging for food;
FIG. 5 is a side view from the rear of the packaging for food; and,
FIG. 6 is a top view of the packaging for food.

1 Claim, 2 Drawing Sheets





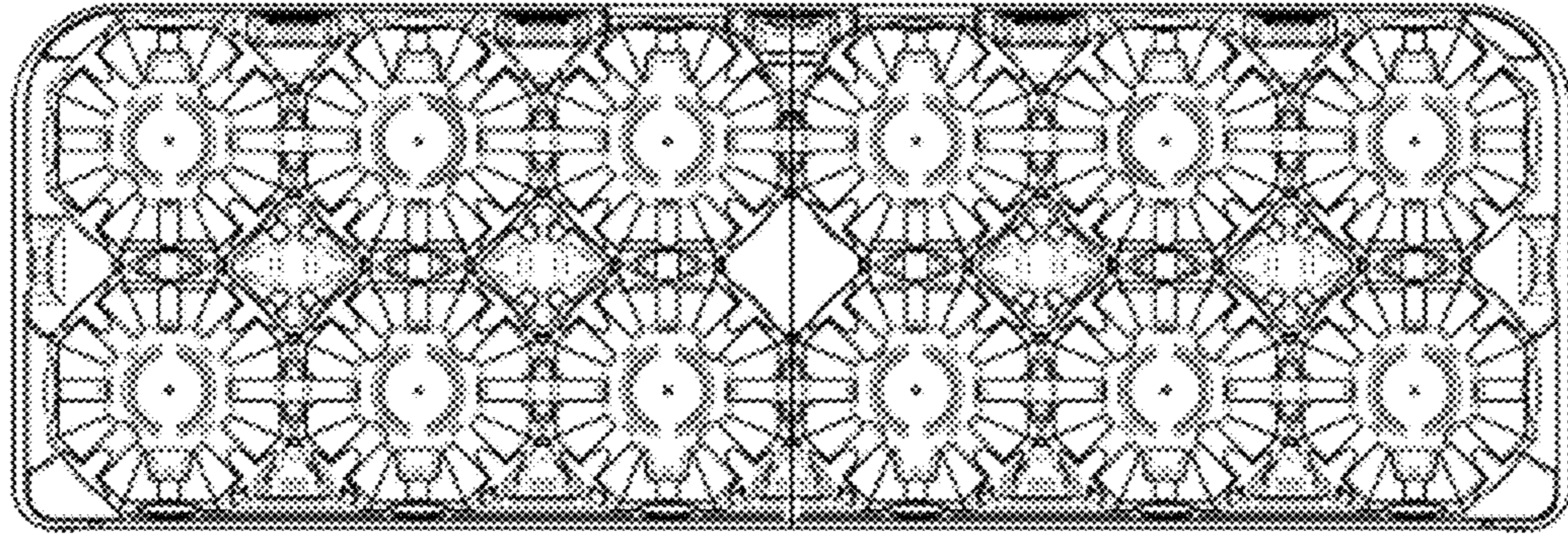


Fig. 4

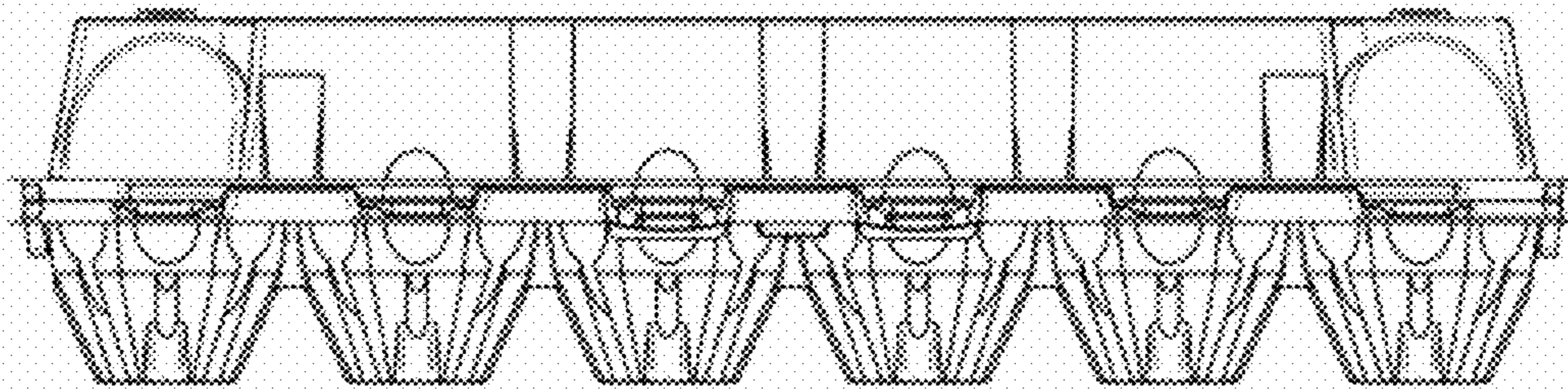


Fig. 5

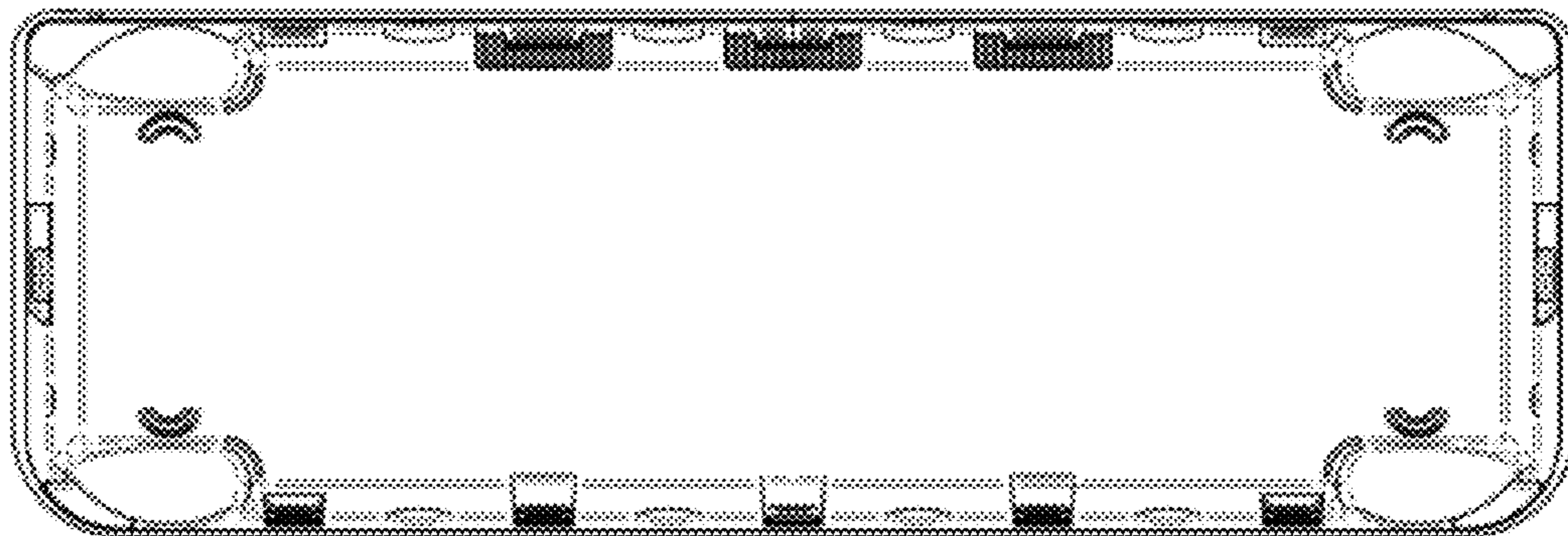


Fig. 6