



US00D656842S

(12) **United States Design Patent**  
**Ocampo**

(10) **Patent No.:** **US D656,842 S**

(45) **Date of Patent:** **\*\* Apr. 3, 2012**

- (54) **PACKAGING DISPLAY FOR SAFETY RAZORS**
- (75) Inventor: **Andres Felipe Ocampo**, Waltham, MA (US)
- (73) Assignee: **The Gillette Company**, Boston, MA (US)
- (\*\*) Term: **14 Years**
- (21) Appl. No.: **29/389,472**
- (22) Filed: **Apr. 12, 2011**
- (51) **LOC (9) Cl.** ..... **09-05**
- (52) **U.S. Cl.** ..... **D9/711**
- (58) **Field of Classification Search** ..... D9/414, D9/418, 430-433, 501, 711, 713, 730, 732, D9/737, 748; D3/201, 205; 222/1, 129; 206/208, 228, 349, 352, 354, 360, 461-466, 206/471, 474, 493, 495, 525, 534.1; 30/32, 30/40, 40.2, 50; 220/555, 675, 669; D6/512, D6/516; 228/60

See application file for complete search history.

D276,893 S	12/1984	Richards	
4,496,047 A	1/1985	Gatley	
4,555,030 A	11/1985	Byrne et al.	
D282,242 S	1/1986	Thorpe	
4,601,392 A	7/1986	Althaus	
4,735,312 A	4/1988	Iten	
4,785,935 A	11/1988	Iten	
D323,460 S	1/1992	Ayala et al.	
5,226,534 A	7/1993	Kim	
D351,554 S	10/1994	Kim	
D411,447 S *	6/1999	Melzer	D9/711
D522,382 S *	6/2006	Wonderley	D9/749
D529,378 S *	10/2006	Spencer et al.	D9/711
D595,126 S *	6/2009	Marcinkowski	D9/418
D596,047 S *	7/2009	Wonderley	D9/749
D643,751 S *	8/2011	Wonderley et al.	D9/749
D646,586 S *	10/2011	Nottingham	D9/748

\* cited by examiner

*Primary Examiner* — Caron D Veynar

*Assistant Examiner* — Abraham Bahta

(74) *Attorney, Agent, or Firm* — John M. Lipchitz; Kevin C. Johnson; Steven W. Miller

(57) **CLAIM**

The ornamental design for a packaging display for safety razors, as shown and described.

**DESCRIPTION**

FIG. 1 is a perspective view of a packaging display for safety razors of the present invention;  
 FIG. 2 is a front view thereof;  
 FIG. 3 is a rear view thereof;  
 FIG. 4 is a right view thereof;  
 FIG. 5 is a left view thereof;  
 FIG. 6 is a top view thereof;  
 FIG. 7 is a bottom view thereof;  
 FIG. 8 is a perspective view of a second embodiment of the packaging display for safety razors;  
 FIG. 9 is a front view thereof;  
 FIG. 10 is a rear view thereof;  
 FIG. 11 is a right view thereof;  
 FIG. 12 is a left view thereof;  
 FIG. 13 is a top view thereof; and,  
 FIG. 14 is a bottom view thereof.

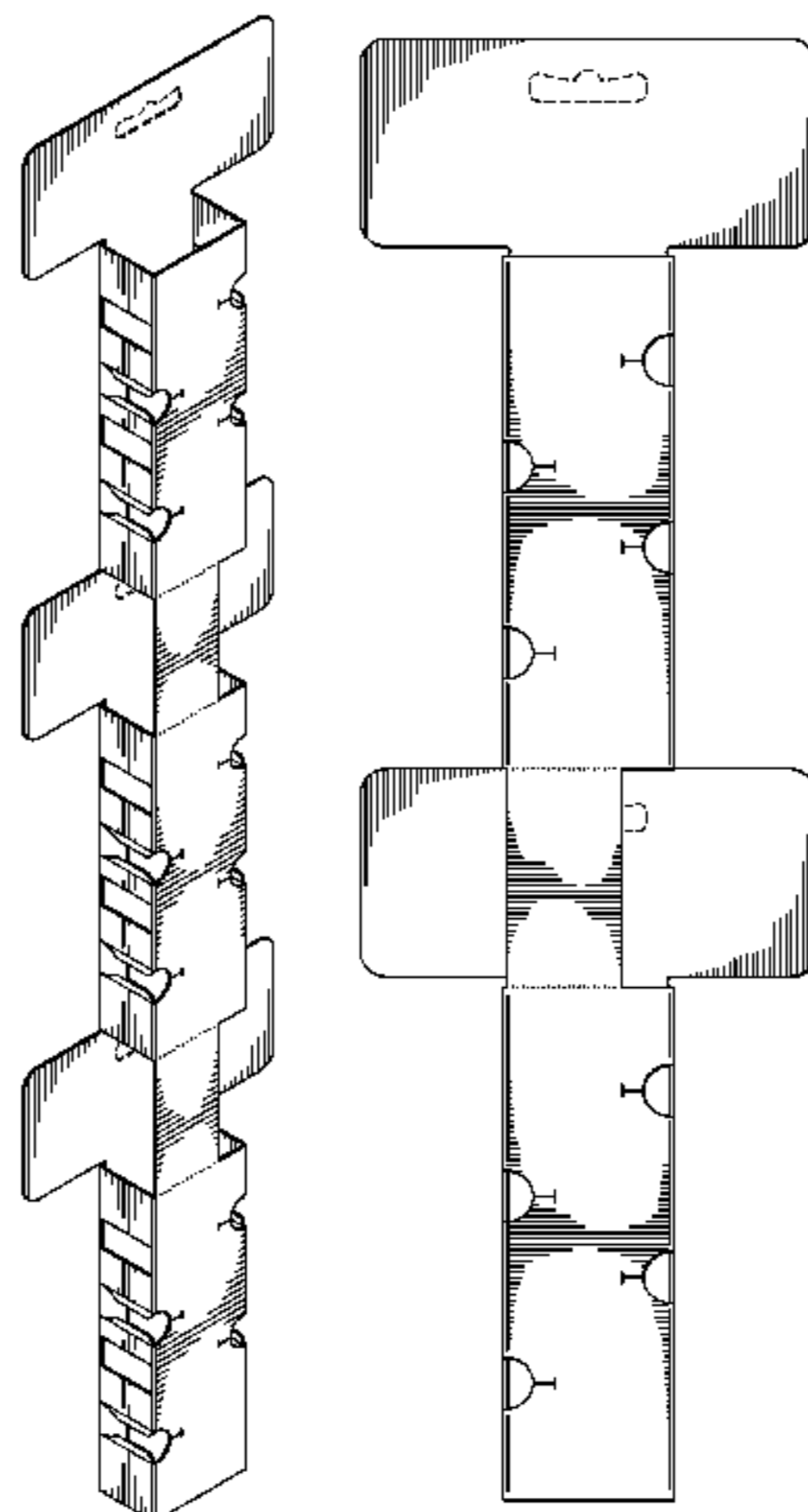
The broken lines are shown for illustrative purposes only and form no part of the claimed design.

**1 Claim, 9 Drawing Sheets**

(56) **References Cited**

U.S. PATENT DOCUMENTS

2,229,427 A	1/1941	Tanner	
D194,378 S	1/1963	Brower	
D219,431 S	12/1970	Hill et al.	
4,000,832 A	1/1977	Pentney	
4,140,244 A	2/1979	Clabby	
D253,040 S	10/1979	Fournier et al.	
D255,327 S	6/1980	Samsing	
D256,997 S *	9/1980	Motta	D9/736
D257,327 S	10/1980	Samsing	
4,266,664 A	5/1981	Dixon et al.	
D262,095 S	12/1981	Takahashi	
4,322,002 A	3/1982	Iten	
D265,056 S	6/1982	Hadtke	
4,341,306 A	7/1982	Lightsey	
D272,803 S	2/1984	Richards	
4,432,452 A	2/1984	Kelly	
4,445,610 A	5/1984	Richards	
D275,737 S	10/1984	Carey, Jr. et al.	
D276,793 S	12/1984	Richards	



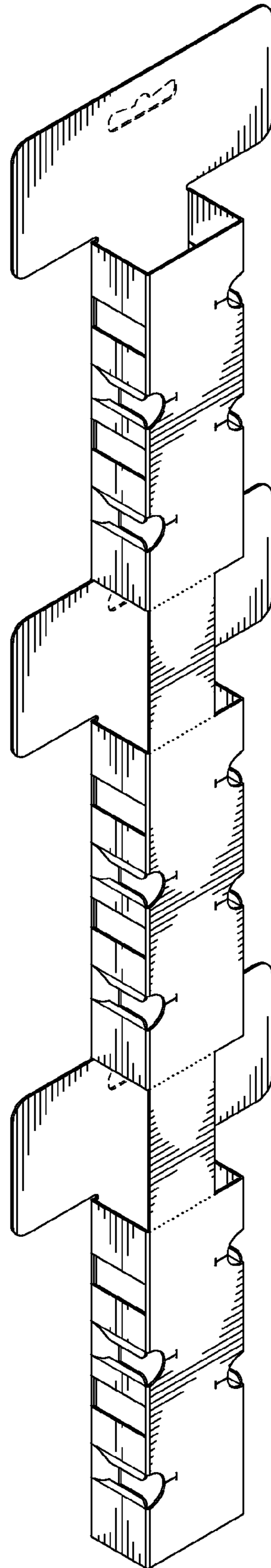


FIG. 1

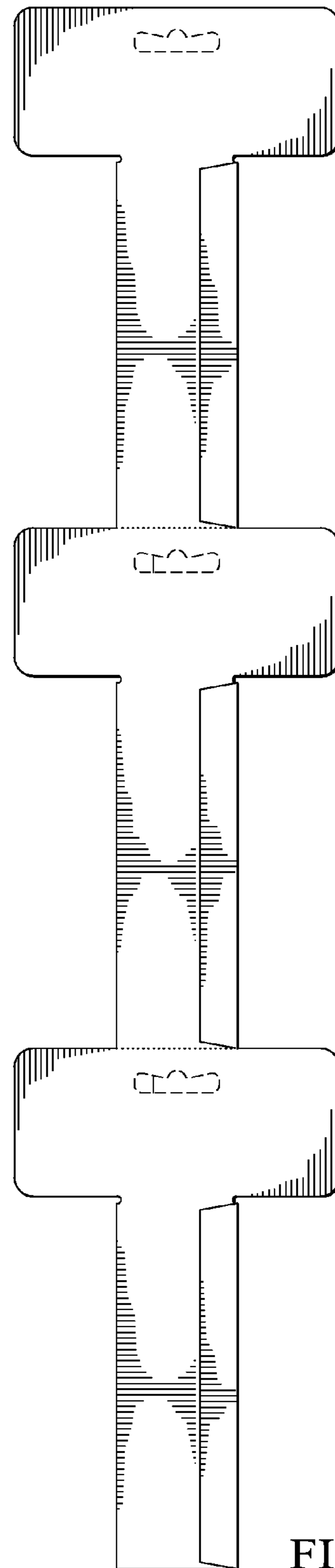
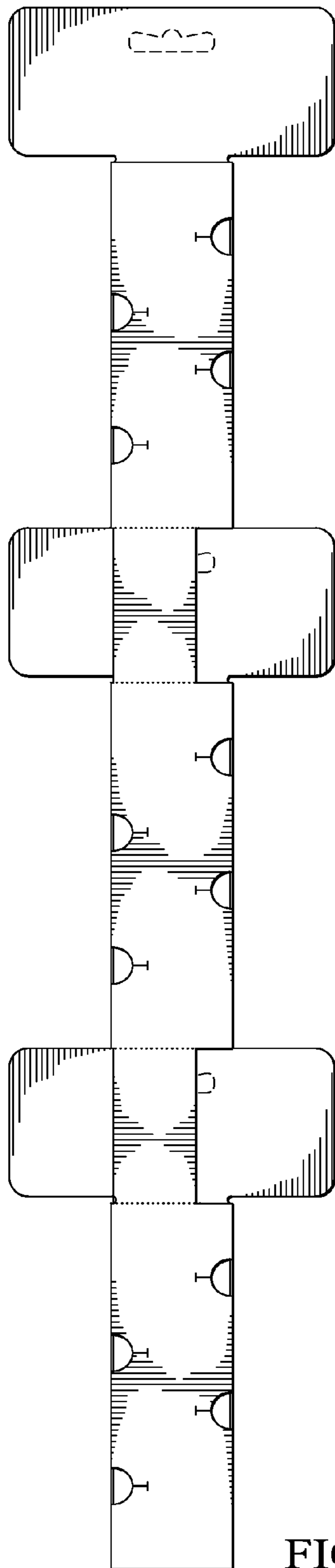


FIG. 4

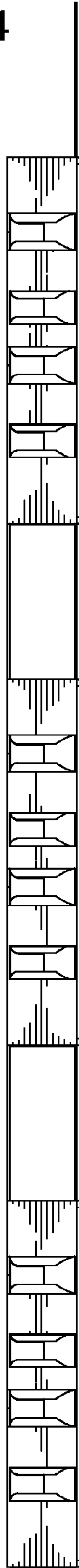


FIG. 5

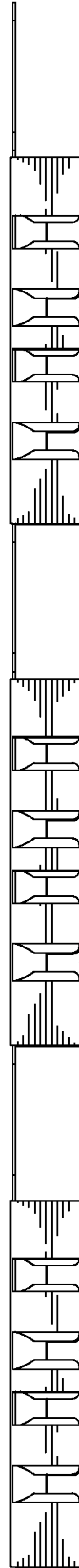


FIG. 6

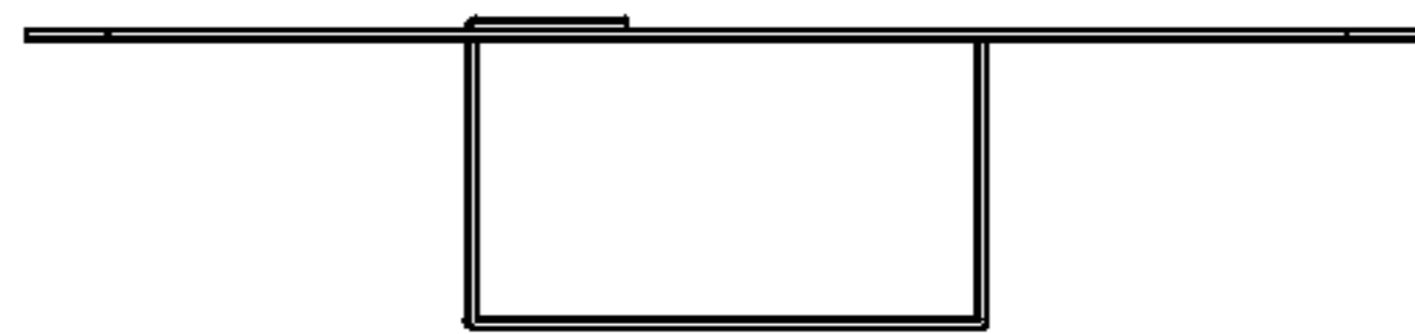


FIG. 7



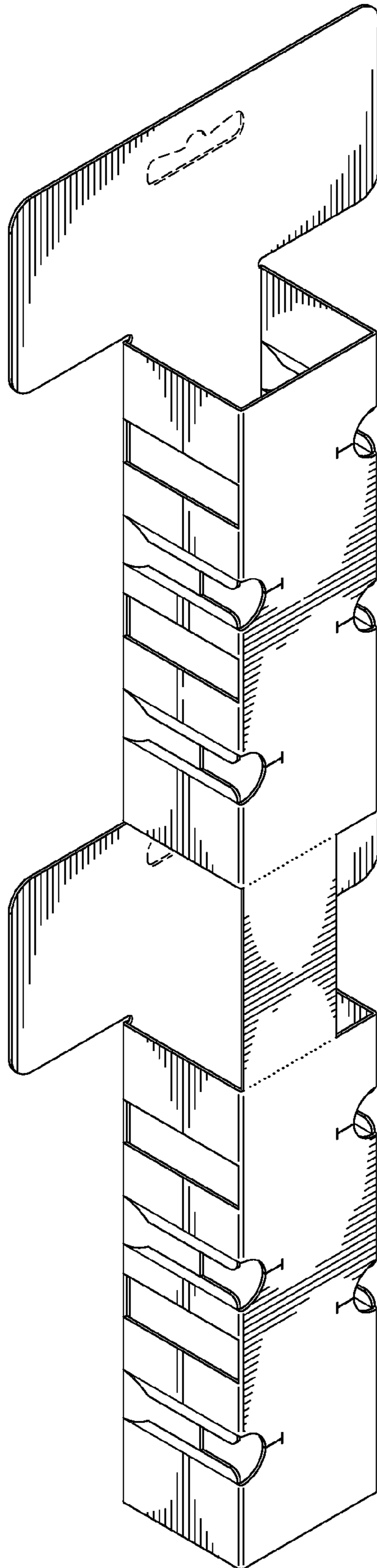


FIG. 8

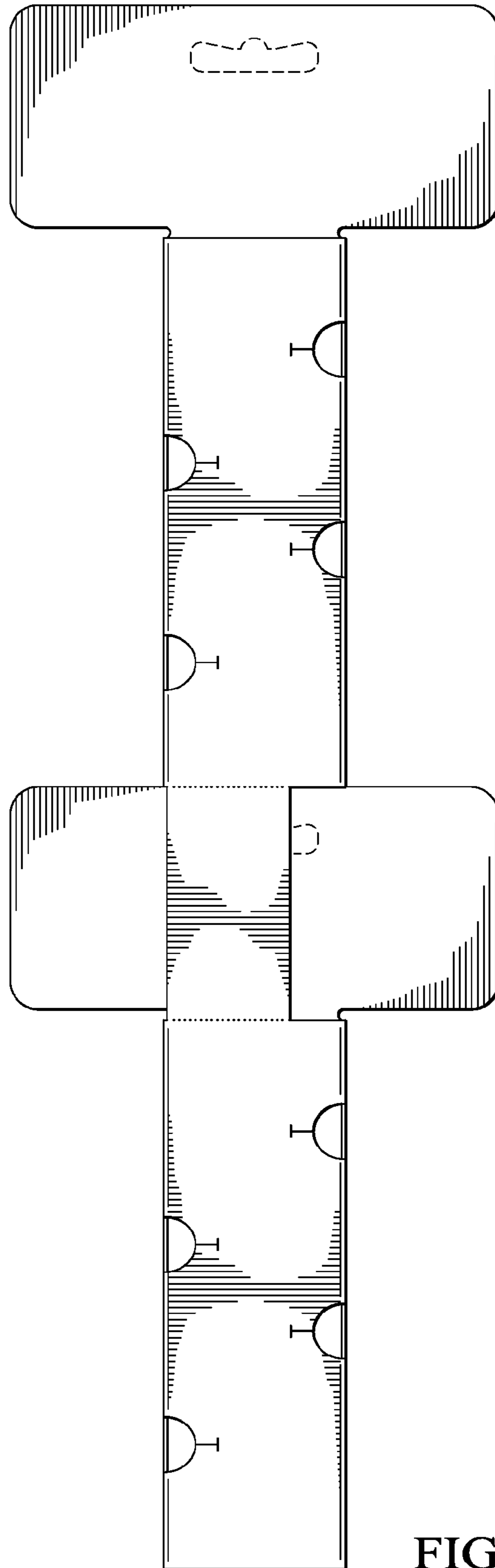


FIG. 9

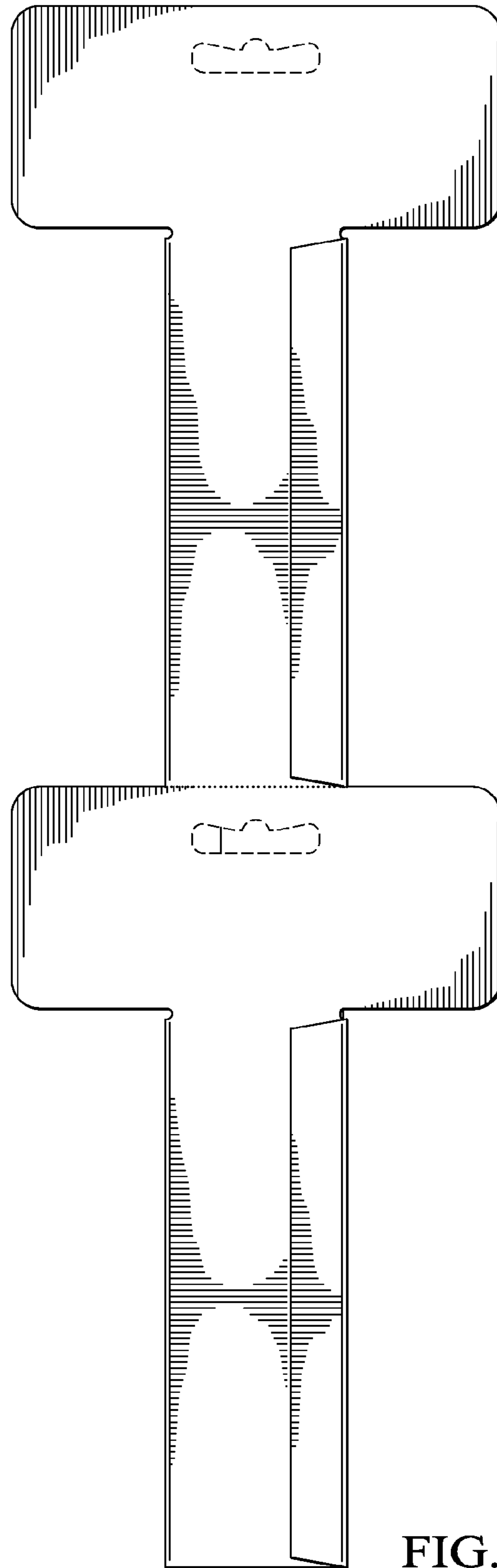


FIG. 10



FIG. 11

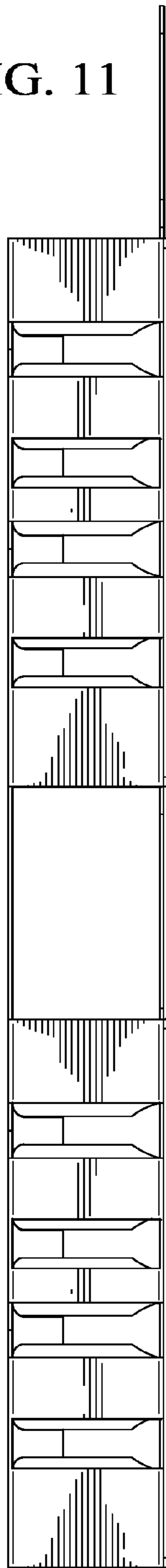


FIG. 12

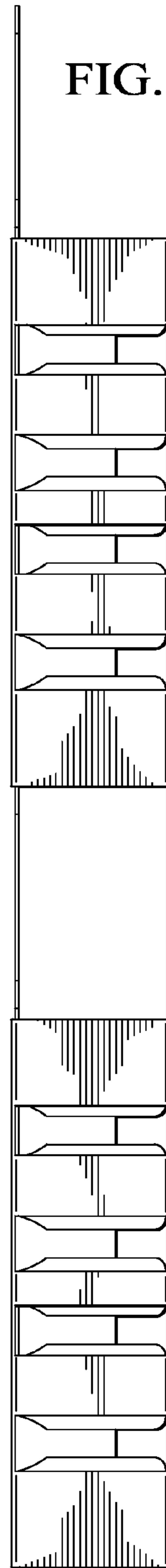


FIG. 13

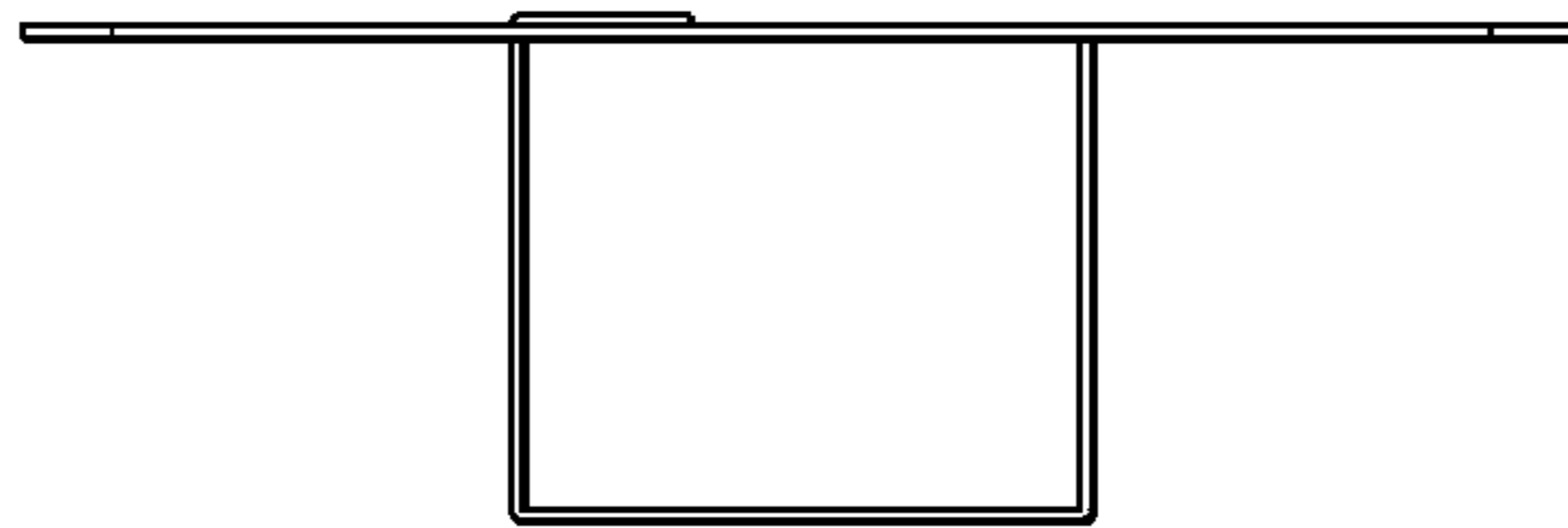


FIG. 14

