

US00D656841S

(12) **United States Design Patent**
Echavarria

(10) **Patent No.:** **US D656,841 S**

(45) **Date of Patent:** **** Apr. 3, 2012**

(54) **CONTAINER**

(75) Inventor: **Paula De Bedout Echavarria**, Medellin (CO)

(73) Assignee: **Productos Familia S.A.**, Medellin (CO)

(**) Term: **14 Years**

(21) Appl. No.: **29/389,380**

(22) Filed: **Apr. 11, 2011**

(30) **Foreign Application Priority Data**

Oct. 25, 2010 (CO) 10-131719

(51) **LOC (9) Cl.** **09-05**

(52) **U.S. Cl.** **D9/709**

(58) **Field of Classification Search** D9/702-714,
D9/499, 443, 434-435, 415; D24/118, 121;
426/106; 383/61.1, 42, 119, 108, 103, 106,
383/120, 127, 114, 907; D3/203.1, 303,
D3/203.2; D27/183, 185, 189; 222/92, 107,
222/215; 220/666, 495.03; 211/85.15; 206/406,
206/811, 484, 260, 527, 248; 428/35.2

See application file for complete search history.

(56) **References Cited**

U.S. PATENT DOCUMENTS

D396,002 S *	7/1998	Bell	D9/707
D588,013 S *	3/2009	Tanaka et al.	D9/703
D607,343 S *	1/2010	Poirier	D9/707
D613,615 S *	4/2010	Hedstrom	D9/702
D617,656 S *	6/2010	Fiero	D9/702
D623,536 S *	9/2010	Bohmke	D9/707
D639,181 S *	6/2011	Woodfield	D9/705

* cited by examiner

Primary Examiner — Caron D Veynar

Assistant Examiner — Abraham Bahta

(74) *Attorney, Agent, or Firm* — Alston & Bird LLP

(57) **CLAIM**

The ornamental design for a container, as shown and described.

DESCRIPTION

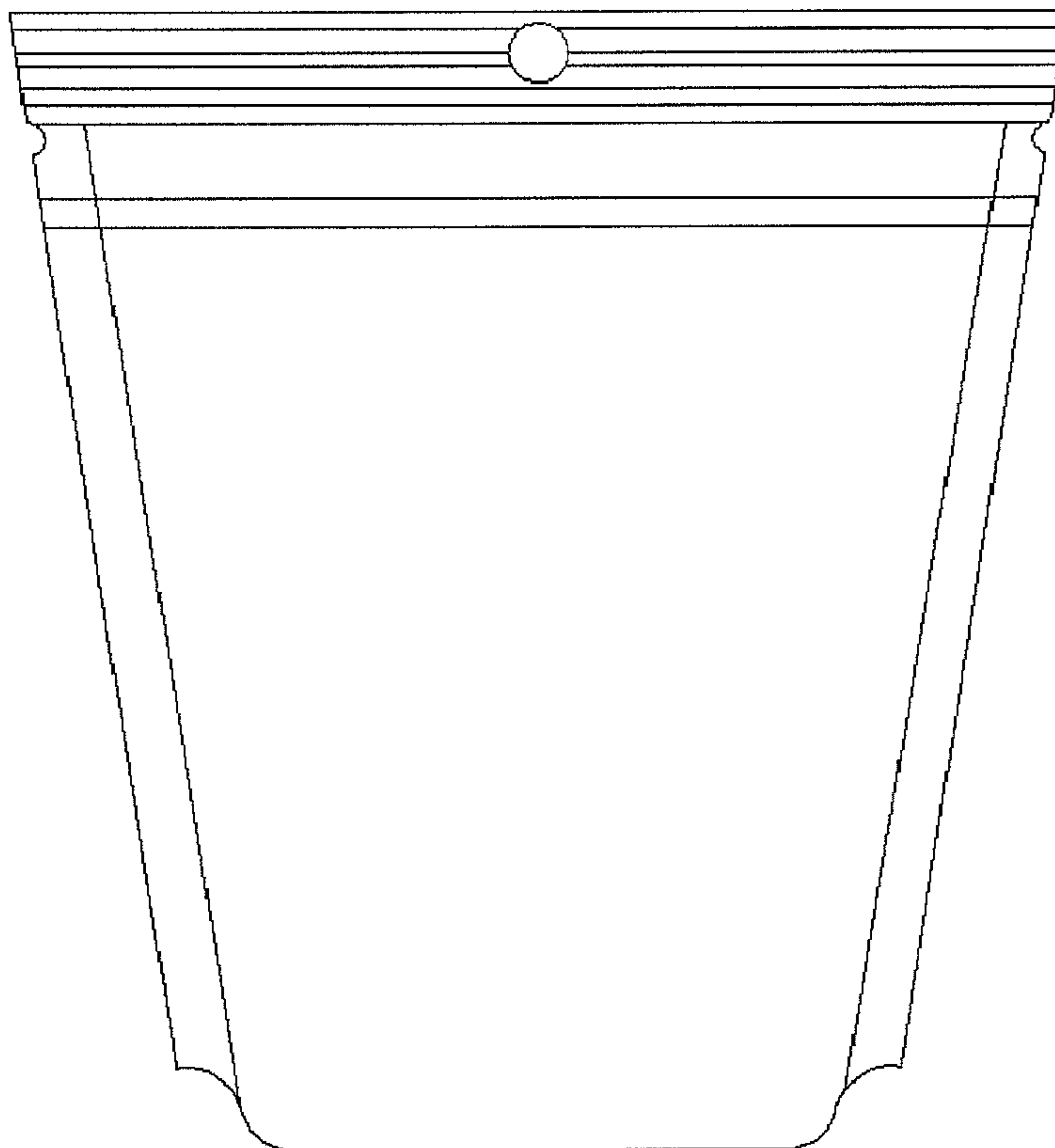
FIG. 1 is a front elevational view of the container of the present invention. The opposite side is identical.

FIG. 2 is a bottom plan view of the container of the present invention.

FIG. 3 is a side elevational view of the container of the present invention. The opposite side is identical; and,

FIG. 4 is a top plan view of the container of the present invention.

1 Claim, 4 Drawing Sheets



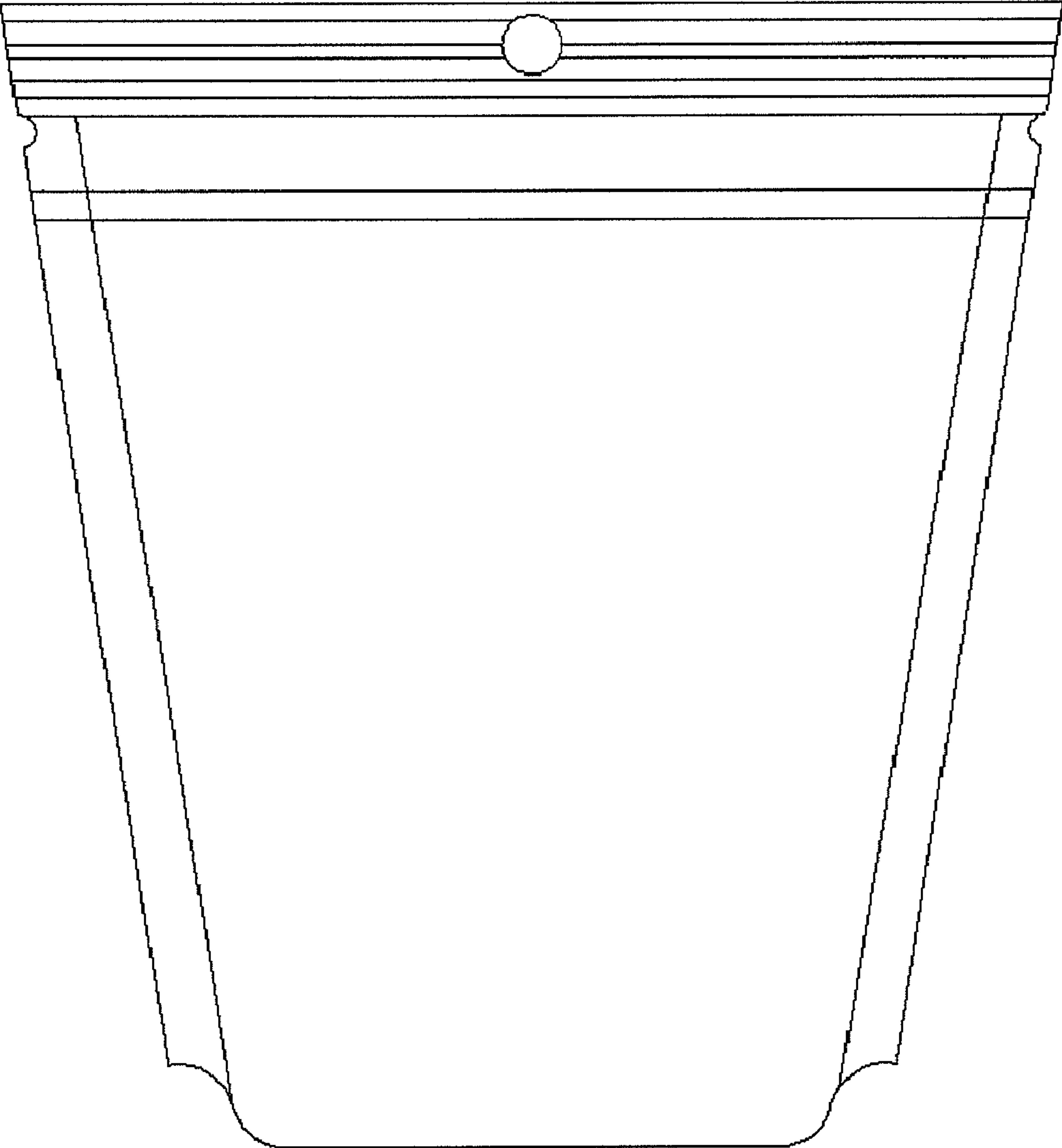


Figure 1

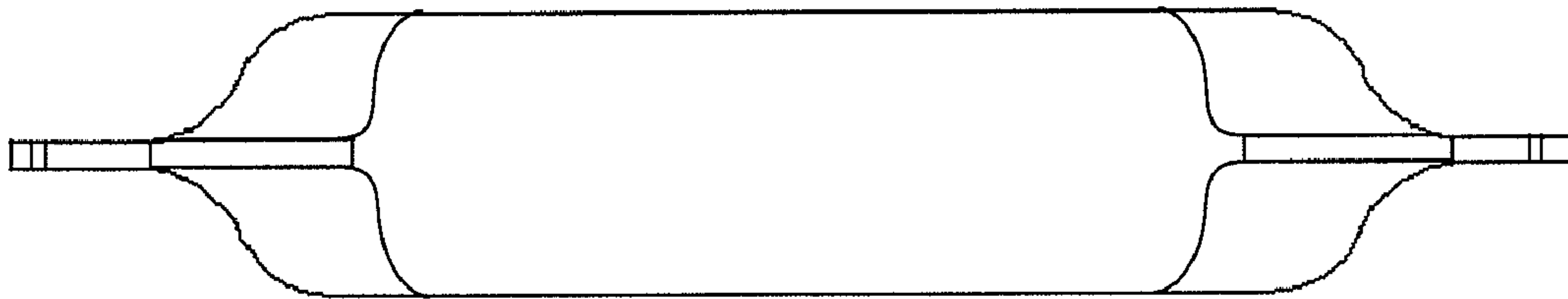


Figure 2

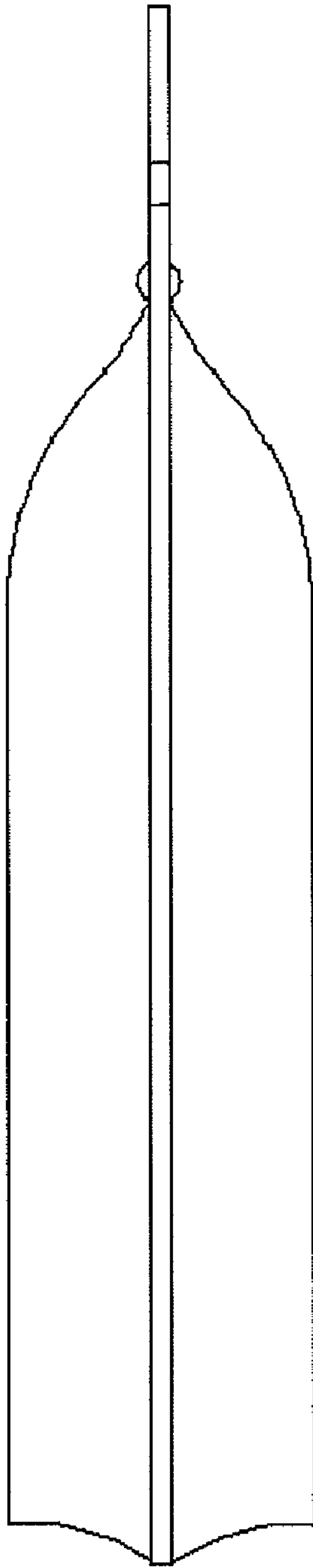


Figure 3

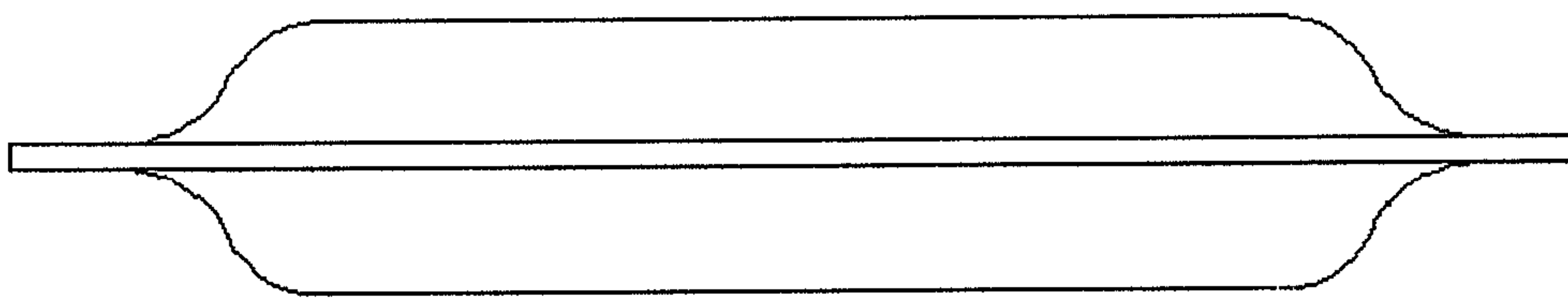


Figure 4